



US00D380296S

# United States Patent [19] Smith

[11] Patent Number: **Des. 380,296**

[45] Date of Patent: **\*\*Jul. 1, 1997**

[54] **CAMERA FILTER HOLDER**

[76] Inventor: **Richard W. Smith**, 4829 Harvey Rd.,  
Jamestown, N.C. 27282

[\*\*] Term: **14 Years**

[21] Appl. No.: **49,673**

[22] Filed: **Jan. 29, 1996**

[51] LOC (6) Cl. .... **03-01**

[52] U.S. Cl. .... **D3/263; D16/237**

[58] Field of Search ..... **D3/263, 264; D9/415,  
D9/418; D16/237; 206/316.1; 354/276,  
282, 295**

(Two pages) 1993 Catalog of Products "Cokin Creative Filter System" pp. 103-104.

Lens advertisement—American Photo Magazine Jan./Feb. 1996; vol. VII, No. 1; p. 98.

Photo District News, Nov. 1995—vol. XV, Issue XIII, p. 89—Advertisement—Lee Filters.

*Primary Examiner*—Philip S. Hyder  
*Assistant Examiner*—Adir Aronovich

[57] **CLAIM**

The ornamental design for a camera filter holder, as shown and described.

[56] **References Cited**

**U.S. PATENT DOCUMENTS**

D. 151,643	11/1948	Mackenzie .....	D3/263
D. 255,547	6/1980	Grodin .....	D9/418
D. 364,739	12/1995	Okamoto et al. ....	D3/263
3,758,200	9/1973	Saito .....	359/892
4,302,078	11/1981	Stravitz .....	359/892
4,304,477	12/1981	Green .....	354/276
4,390,242	6/1983	Tatsumi .....	354/295

**OTHER PUBLICATIONS**

Hasselblad advertisement—Photo District News, vol. XIII, Iss V, Apr. 1993, p. 135.  
Calumet holder from 1995-6 "The Photographer's Catalog"—p. 158.

**DESCRIPTION**

FIG. 1 is a top, front, right side perspective view of a camera filter holder embodying my design;

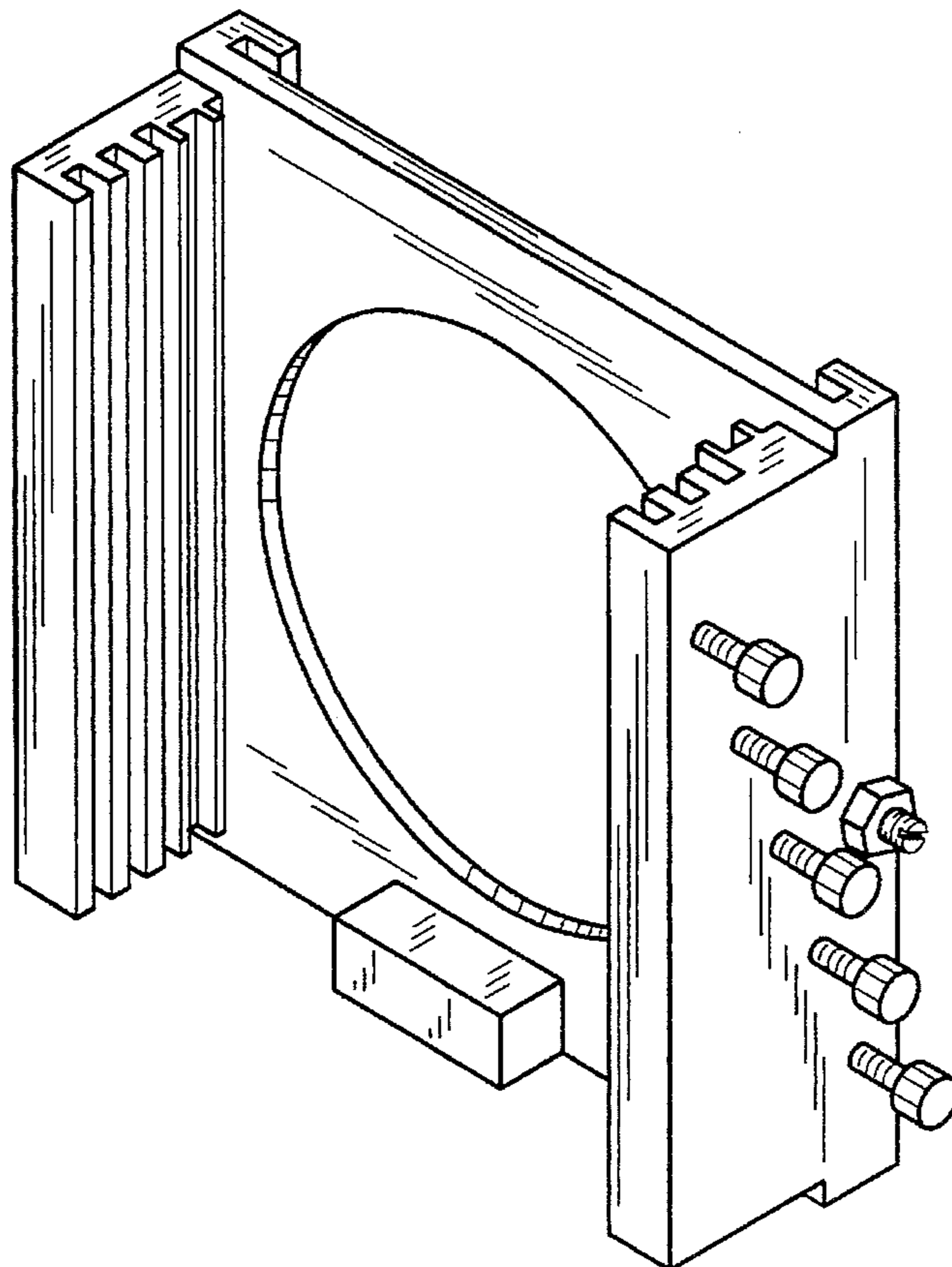
FIG. 2 is a top, front and left side perspective view thereof;

FIG. 3 is a rear elevational view thereof;

FIG. 4 is a bottom plan view thereof; and,

FIG. 5 is a top plan view thereof.

**1 Claim, 4 Drawing Sheets**



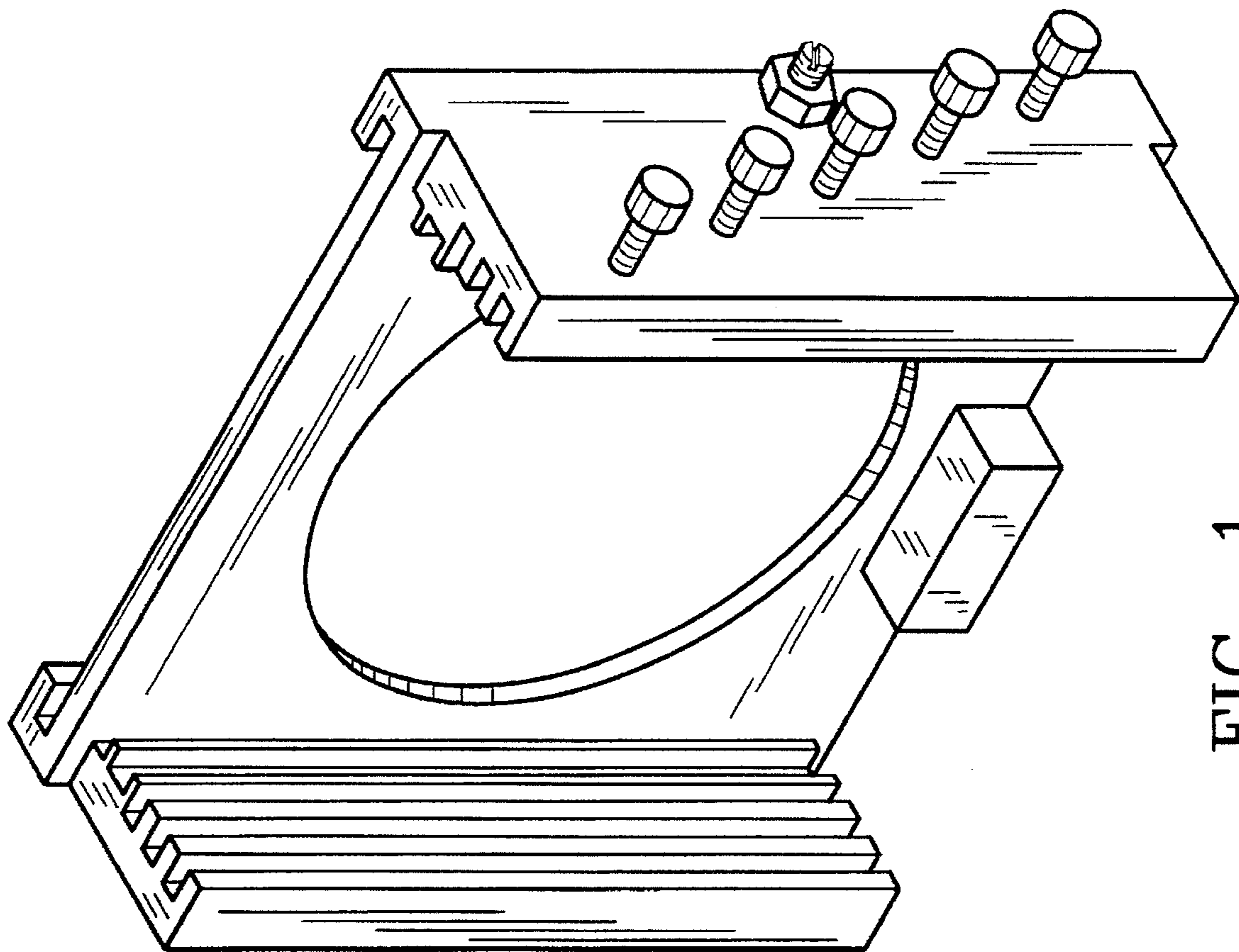


FIG. 1

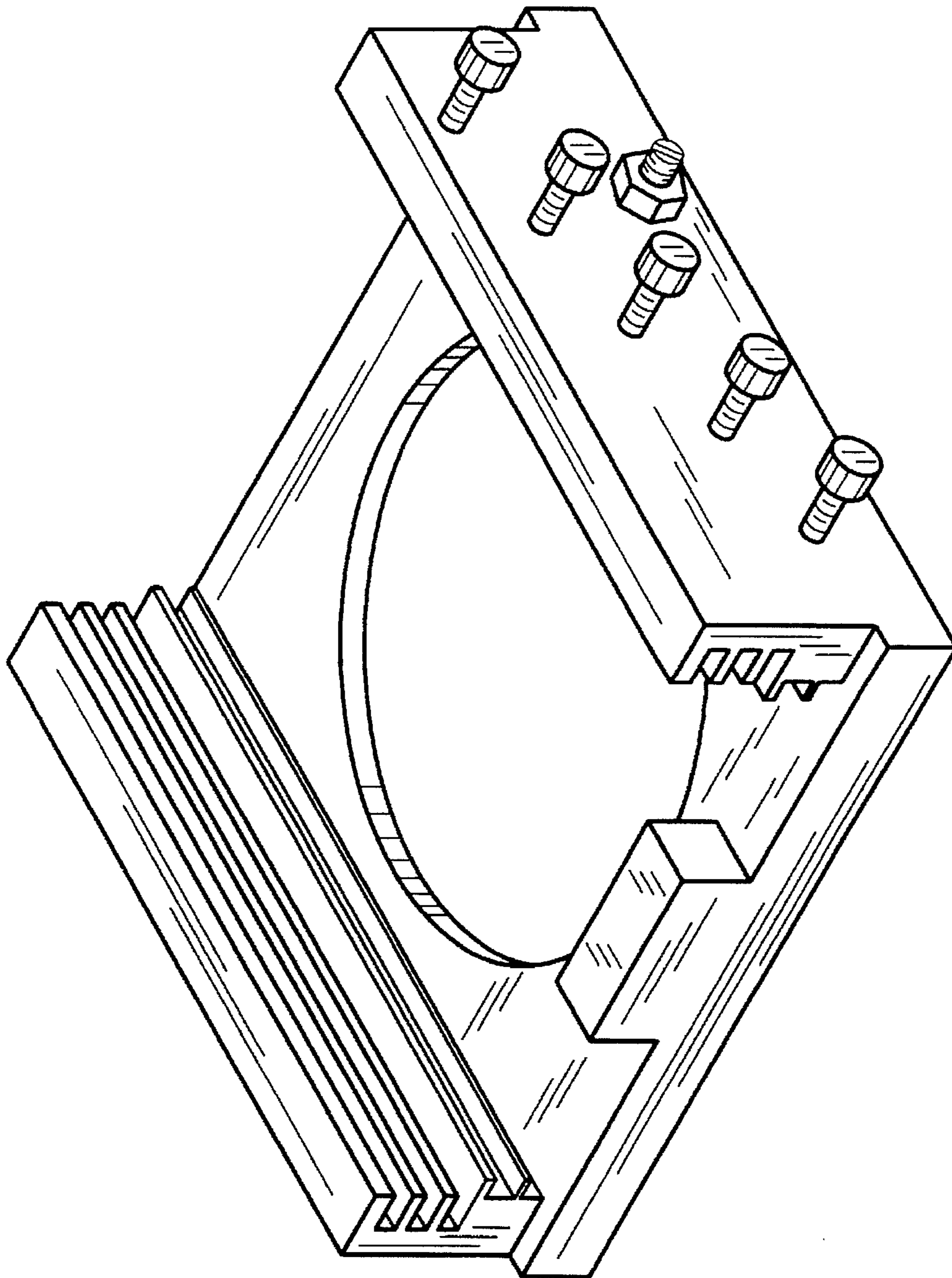


FIG. 2

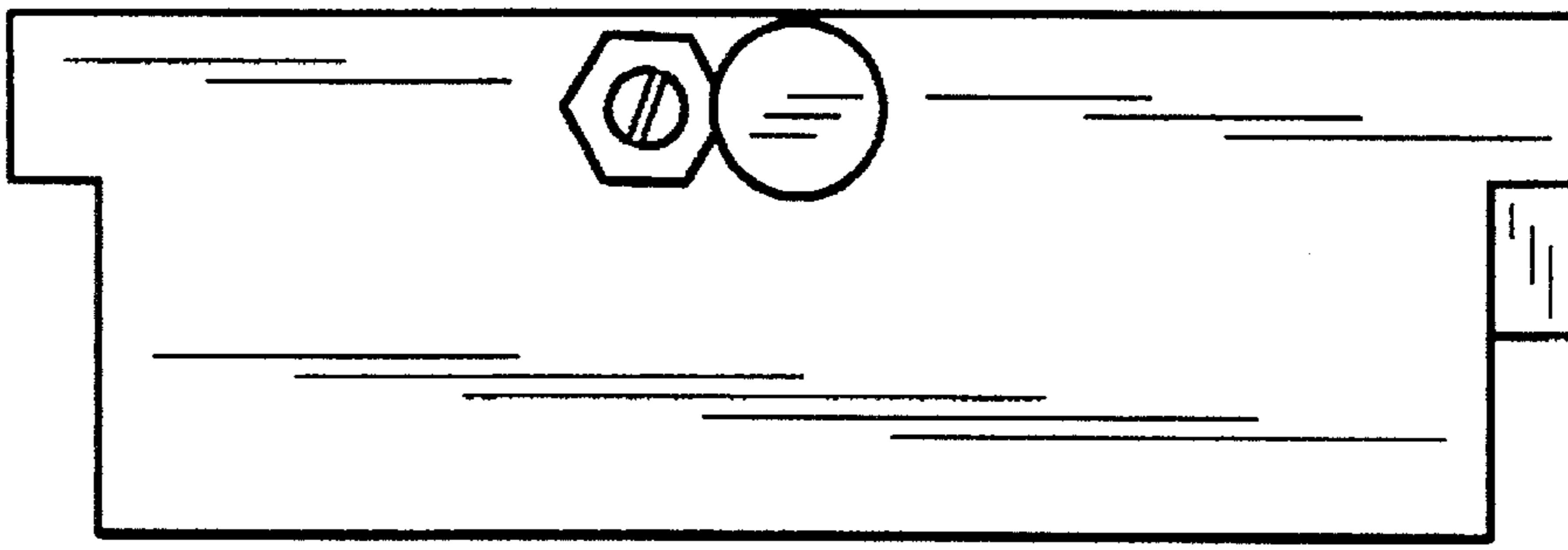


FIG. 3

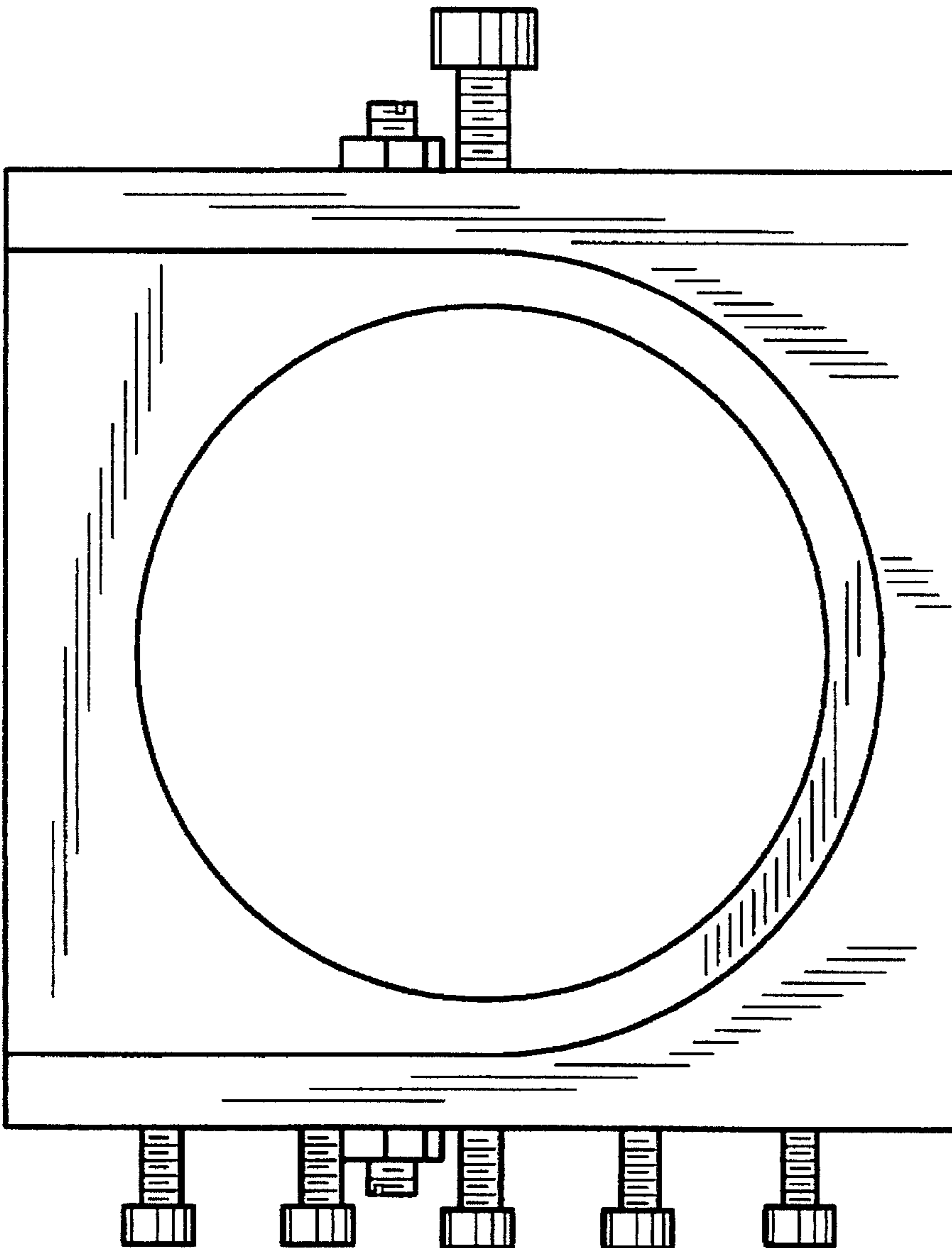


FIG. 4



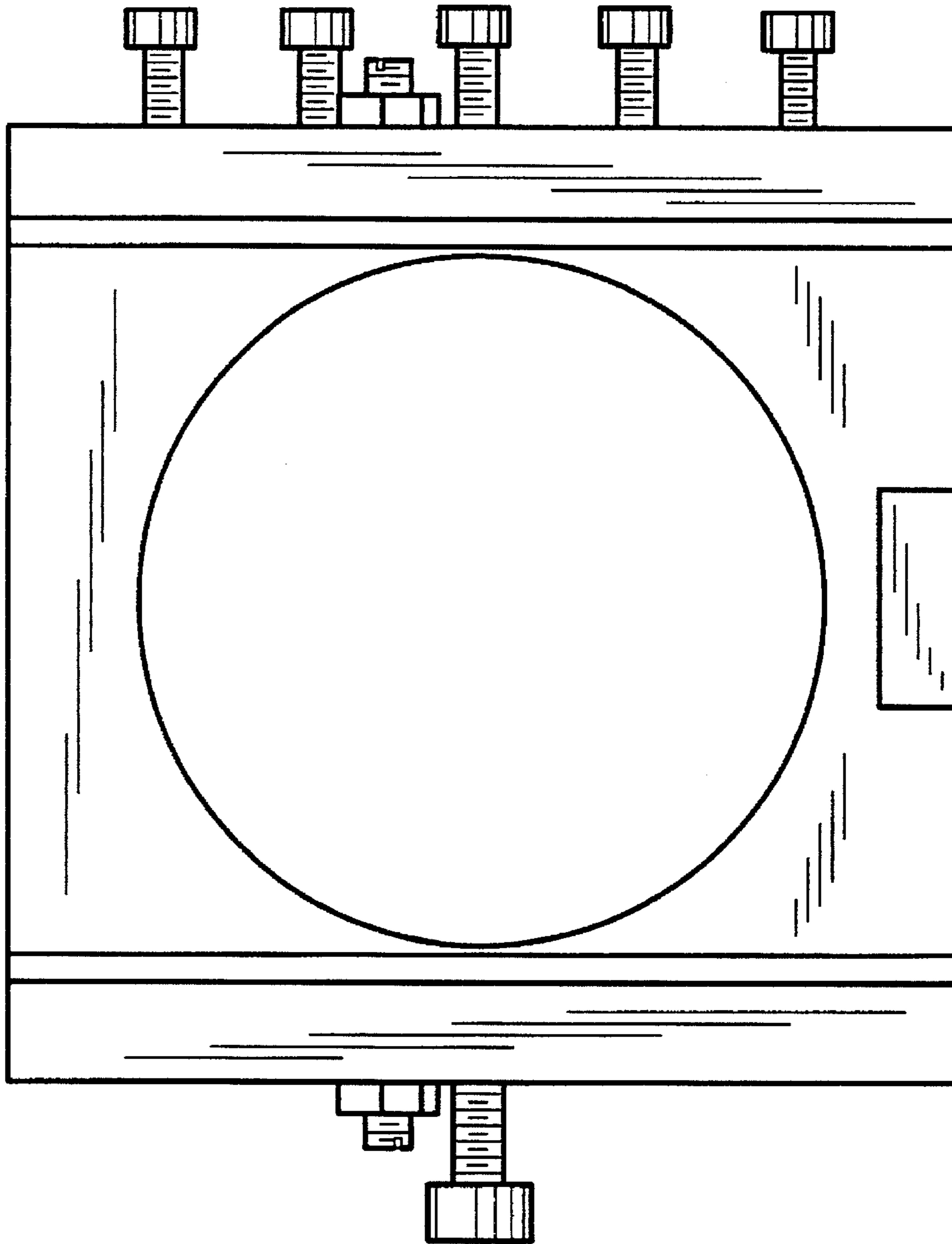


FIG. 5