



US00D380294S

United States Patent [19]

[11] Patent Number: **Des. 380,294**

Kliot

[45] Date of Patent: ****Jul. 1, 1997**

[54] **BACKPACK**

4,018,369	4/1977	Jaeger	D3/217 X
4,318,502	3/1982	Lowe et al.	224/632 X
5,509,589	4/1996	Kliot	224/637

[75] Inventor: **Eugene M. Kliot**, New York, N.Y.

[73] Assignee: **Visual Impact Films Corporation**,
New York, N.Y.

[**] Term: **14 Years**

[21] Appl. No.: **55,085**

[22] Filed: **May 29, 1996**

[51] LOC (6) Cl. **03-01**

[52] U.S. Cl. **D3/217**

[58] Field of Search D3/216, 217, 218,
D3/317, 327; 224/627, 637, 640, 645, 651,
652, 209, 215

[56] **References Cited**

U.S. PATENT DOCUMENTS

D. 355,021	1/1995	Ash, Jr.	D3/216 X
D. 367,173	2/1996	Trihus	D3/217 X
D. 369,021	4/1996	Kliot	D3/217
3,938,716	2/1976	Jackson et al.	D3/217 X

OTHER PUBLICATIONS

Earnshaw's Infant Girls Boys Wear Jan-Jun. 1988, p. 169.

Primary Examiner—Prabhakar G. Deshmukh
Attorney, Agent, or Firm—James A. Quinton

[57] **CLAIM**

The ornamental design for a backpack, as shown and described.

DESCRIPTION

FIG. 1 is a perspective view of a backpack showing my new design;
 FIG. 2 is a front elevational view thereof;
 FIG. 3 is a top plan view thereof;
 FIG. 4 is a left side elevational view thereof; the right side elevational view being a mirror image thereof;
 FIG. 5 is a rear elevational view thereof; and,
 FIG. 6 is a bottom plan view thereof.

1 Claim, 3 Drawing Sheets

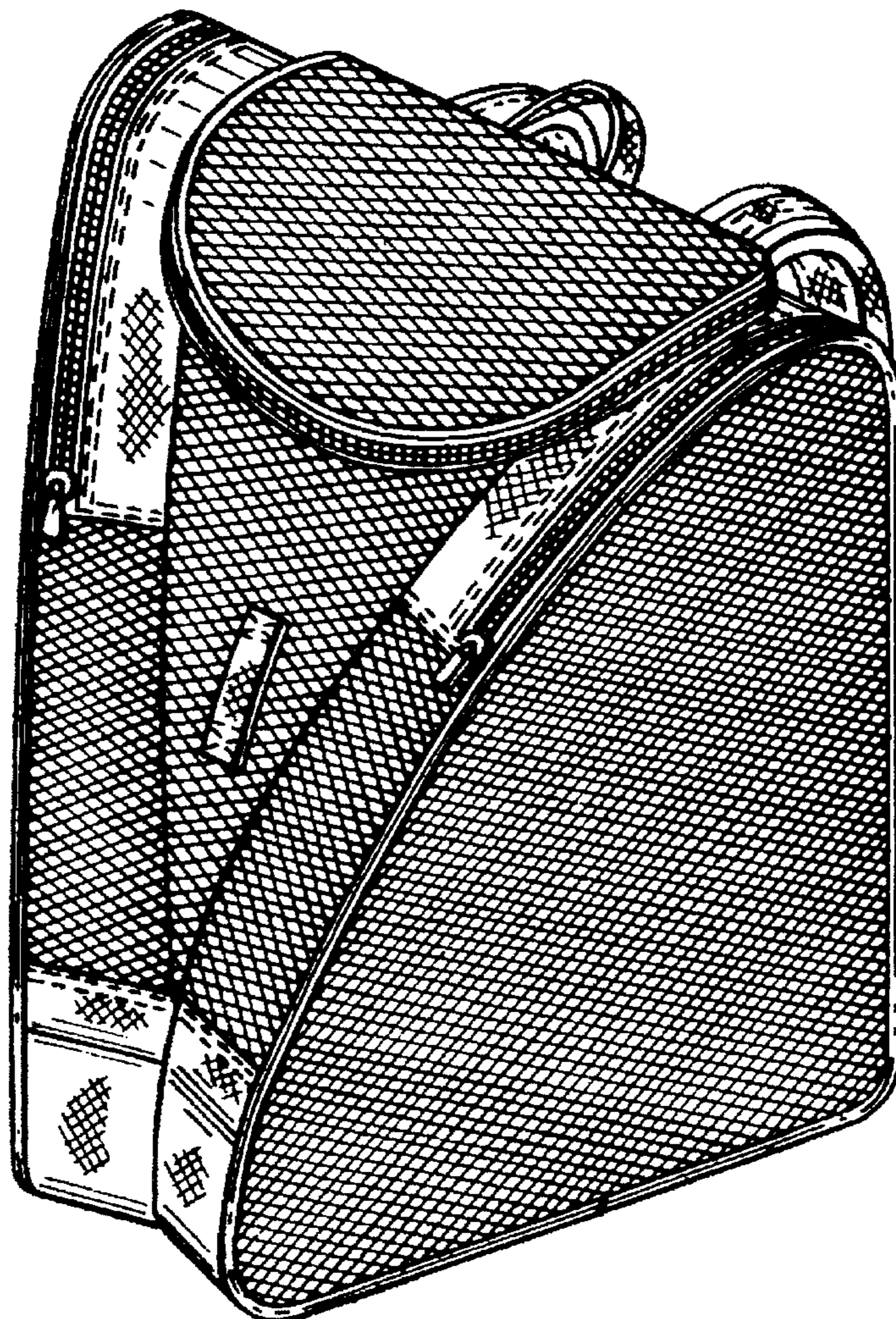


FIG. 2

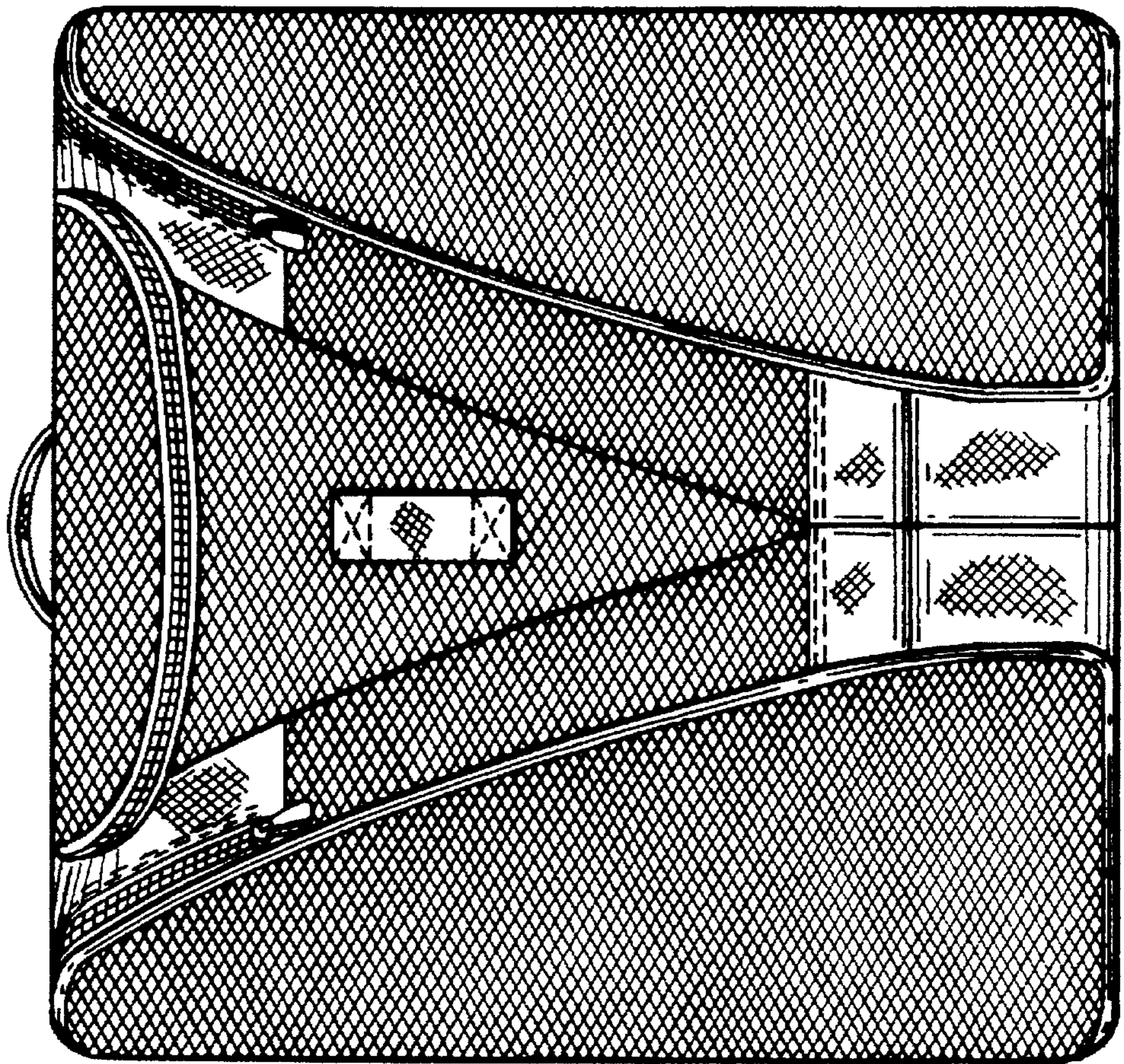
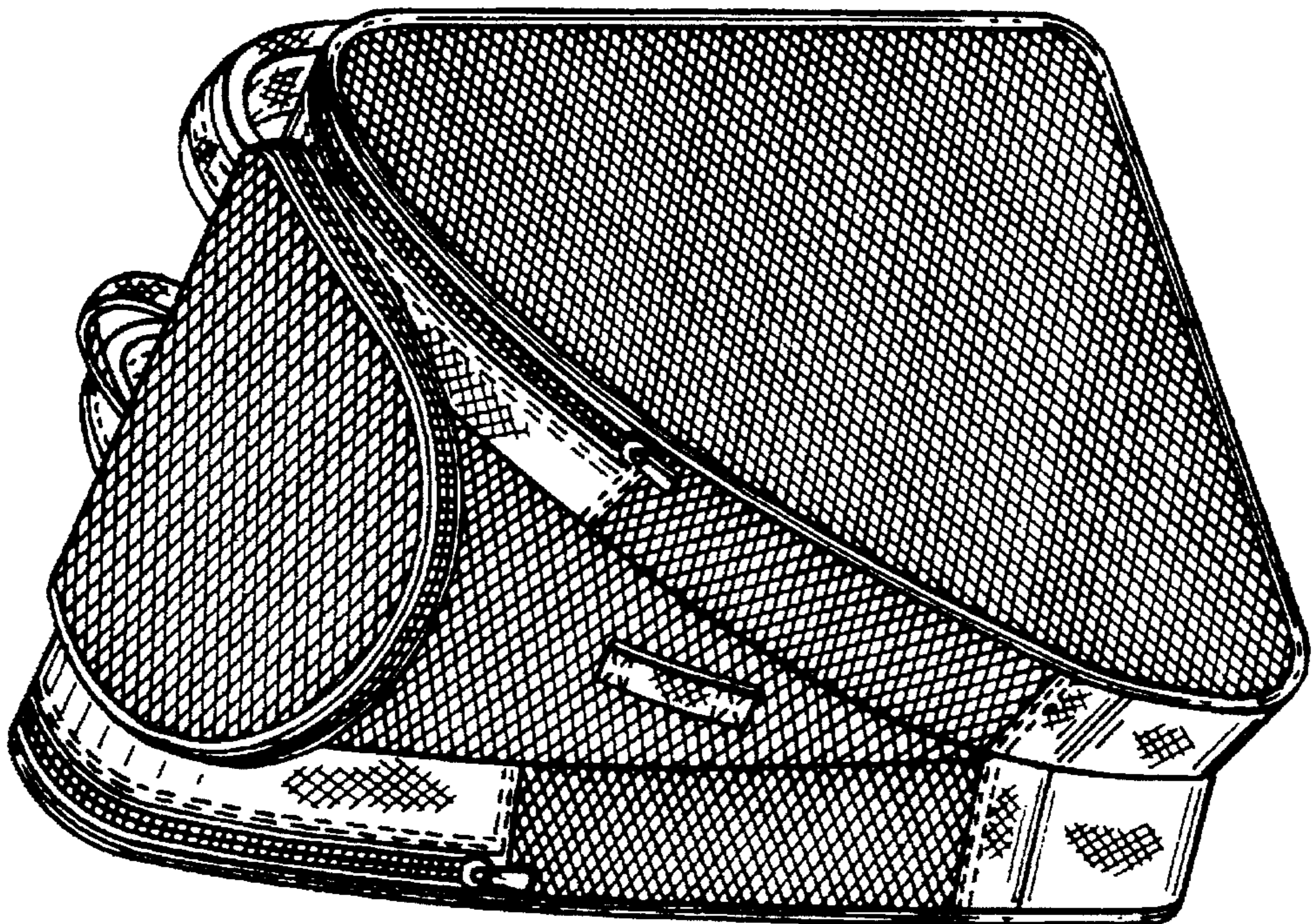


FIG. 1



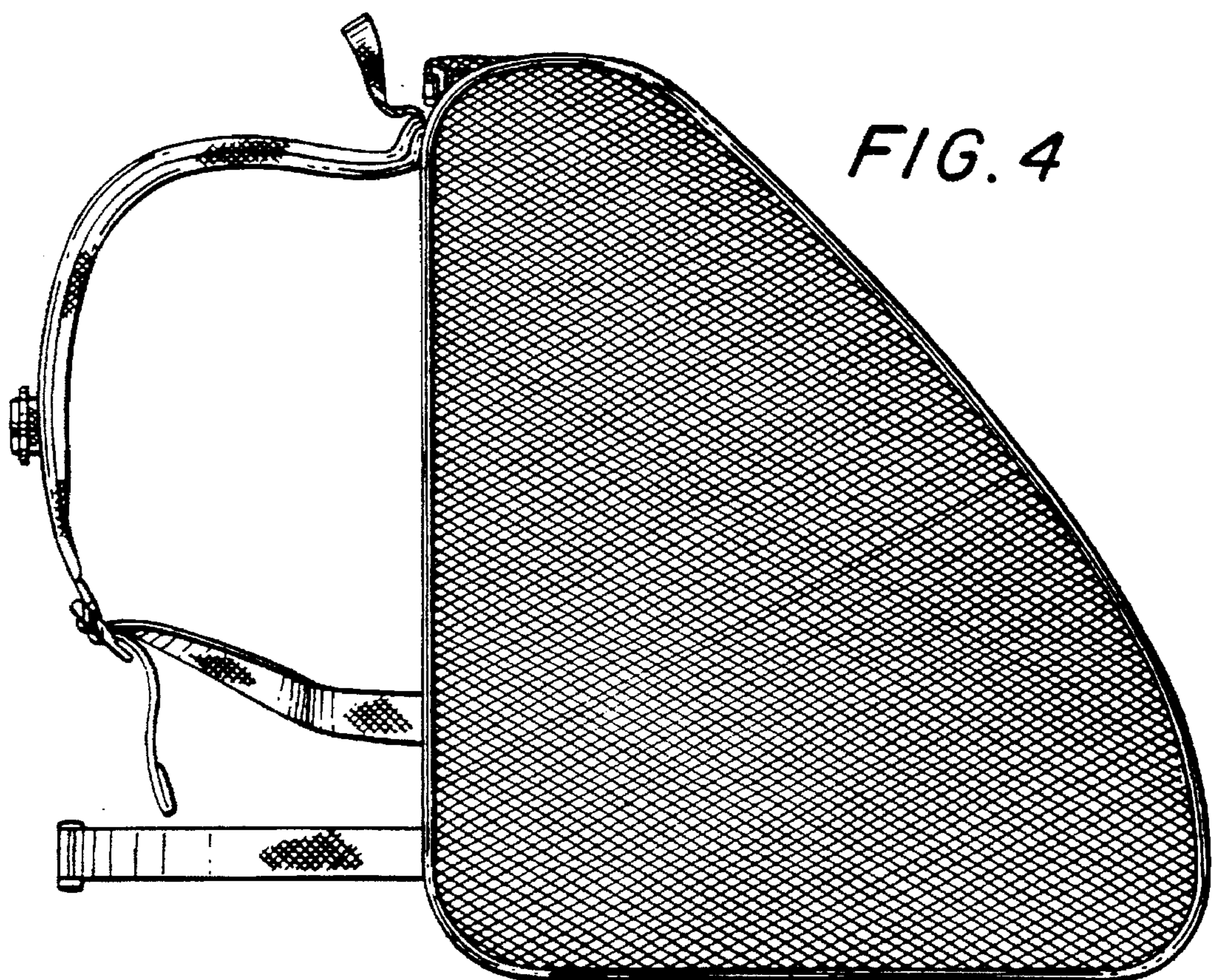
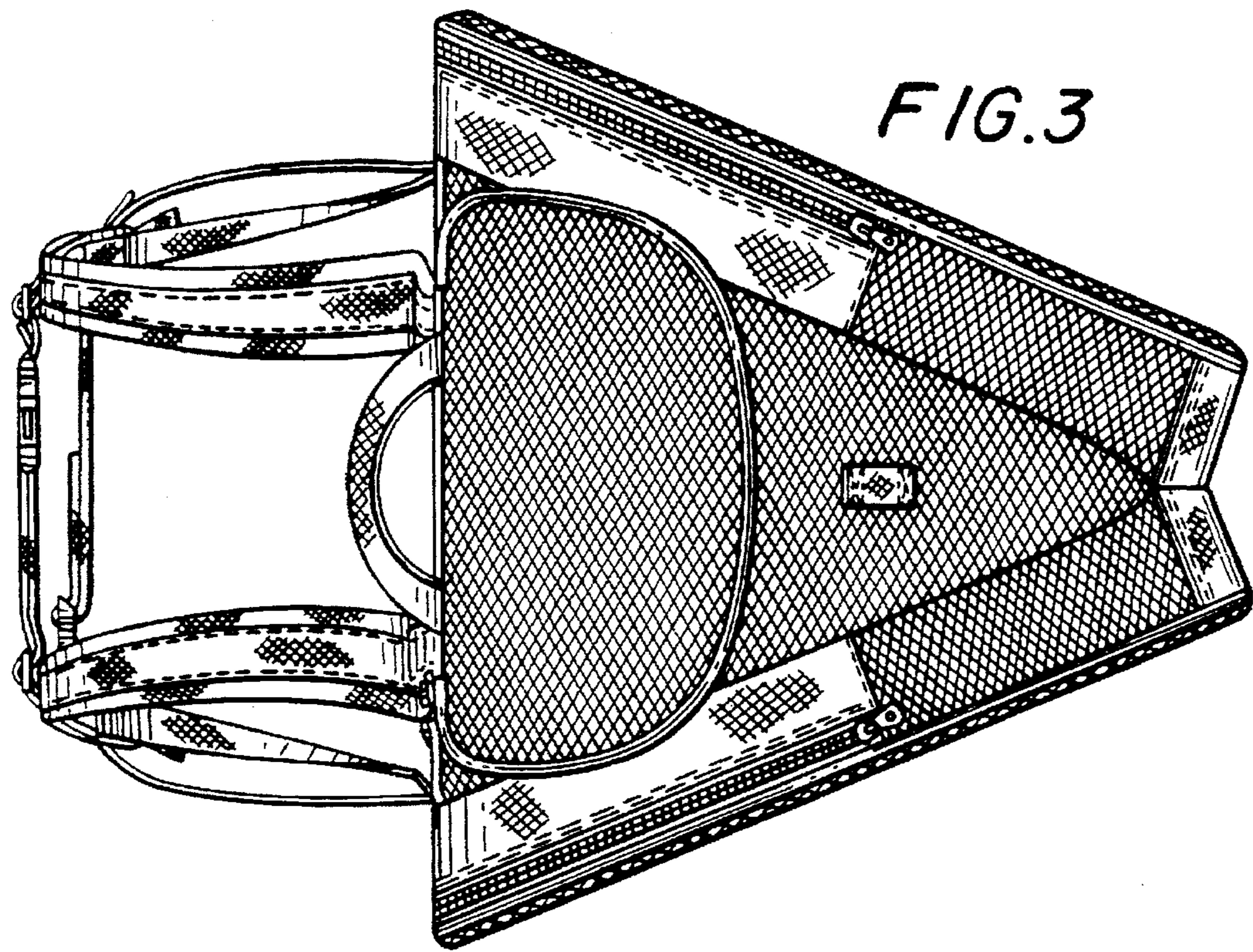


FIG. 5

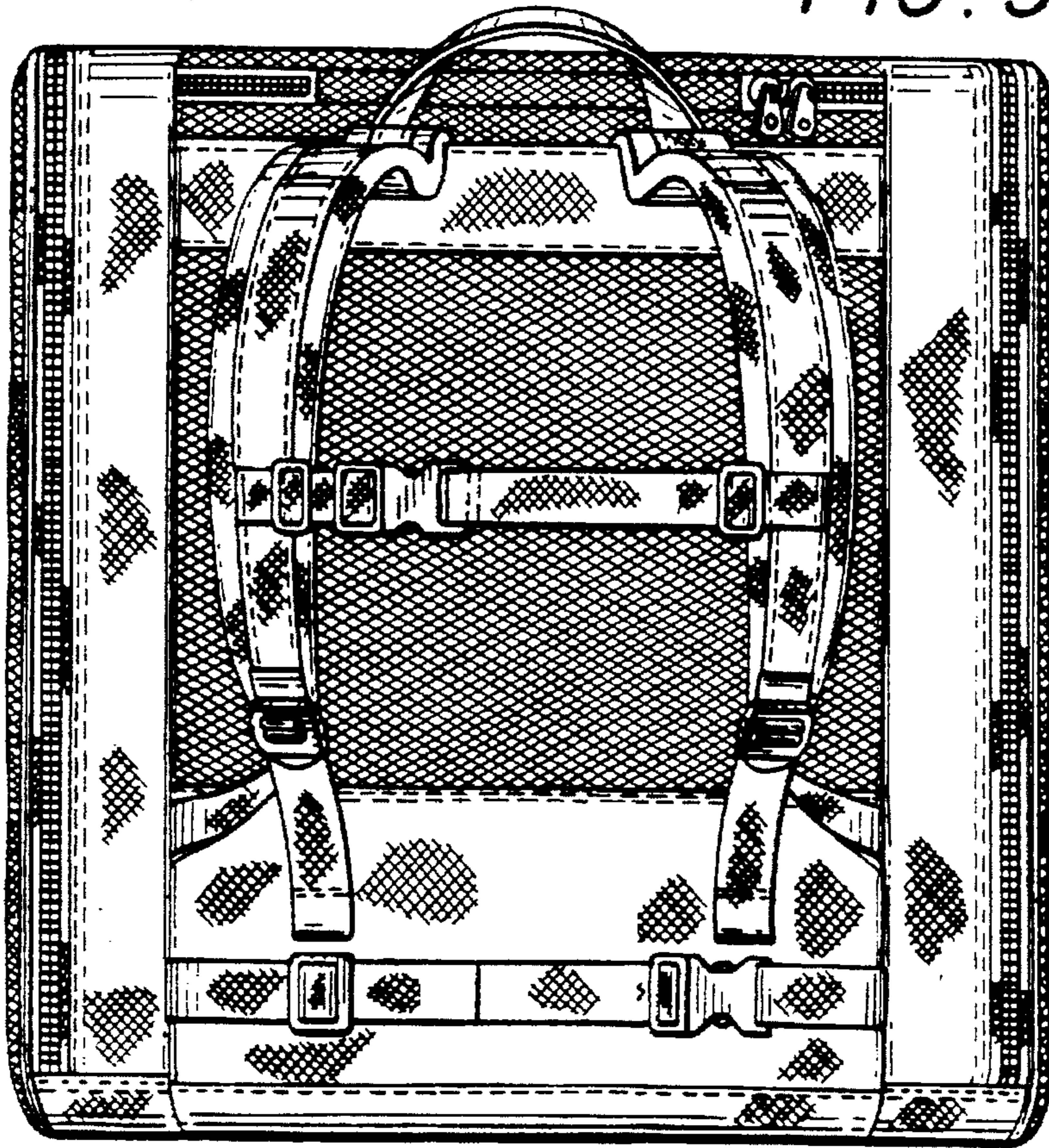


FIG. 6

