



US00D380277S

United States Patent [19]

Bonn et al.

[11] Patent Number: **Des. 380,277**

[45] Date of Patent: ****Jun. 24, 1997**

[54] **LADDER EXTENSION**

4,723,629 2/1988 Hoek et al. 182/107

[76] Inventors: **Warren H. Bonn; Phoebe L. Bonn**,
both of 1468 Conway St., St. Paul,
Minn. 55106

Primary Examiner—Doris Clark
Attorney, Agent, or Firm—Harold H. Dutton, Jr.; W. Charles
L. Jamison; Diane F. Liebman

[**] Term: **14 Years**

[57] **CLAIM**

The ornamental design for a ladder extension, as shown.

[21] Appl. No.: **45,785**

DESCRIPTION

[22] Filed: **Oct. 30, 1995**

[51] **LOC (6) Cl.** **25-04**

[52] **U.S. Cl.** **D25/68**

[58] **Field of Search** D25/68; 182/107,
182/108, 109

FIG. 1 is a perspective view of a ladder extension showing
my new design;
FIG. 2 is a front view thereof;
FIG. 3 is a rear view thereof;
FIG. 4 is a right side view thereof;
FIG. 5 is a left side view thereof;
FIG. 6 is a top view thereof; and,
FIG. 7 is a bottom view thereof.

[56] **References Cited**

U.S. PATENT DOCUMENTS

D. 341,664 11/1993 NewKirk D25/68

1 Claim, 4 Drawing Sheets

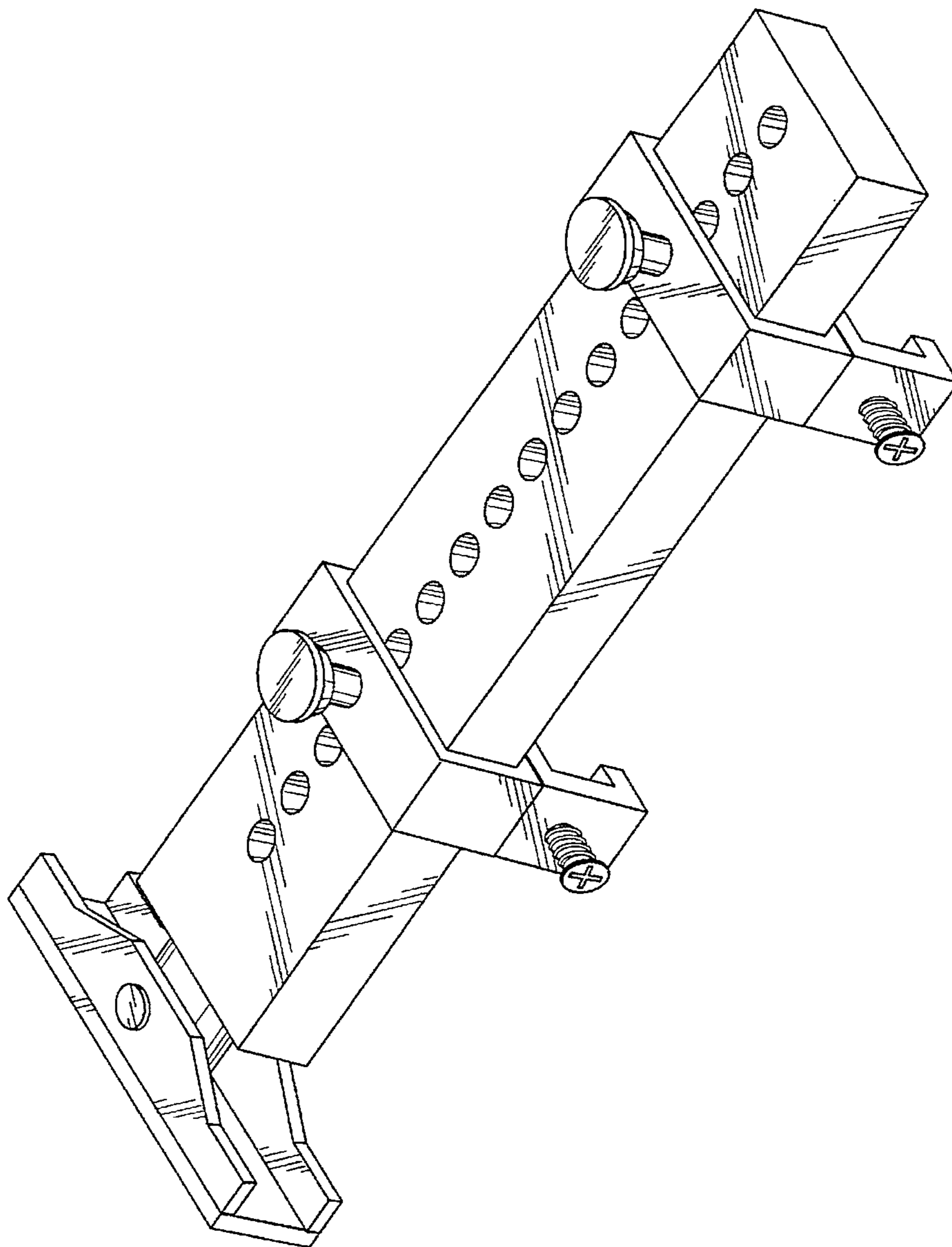
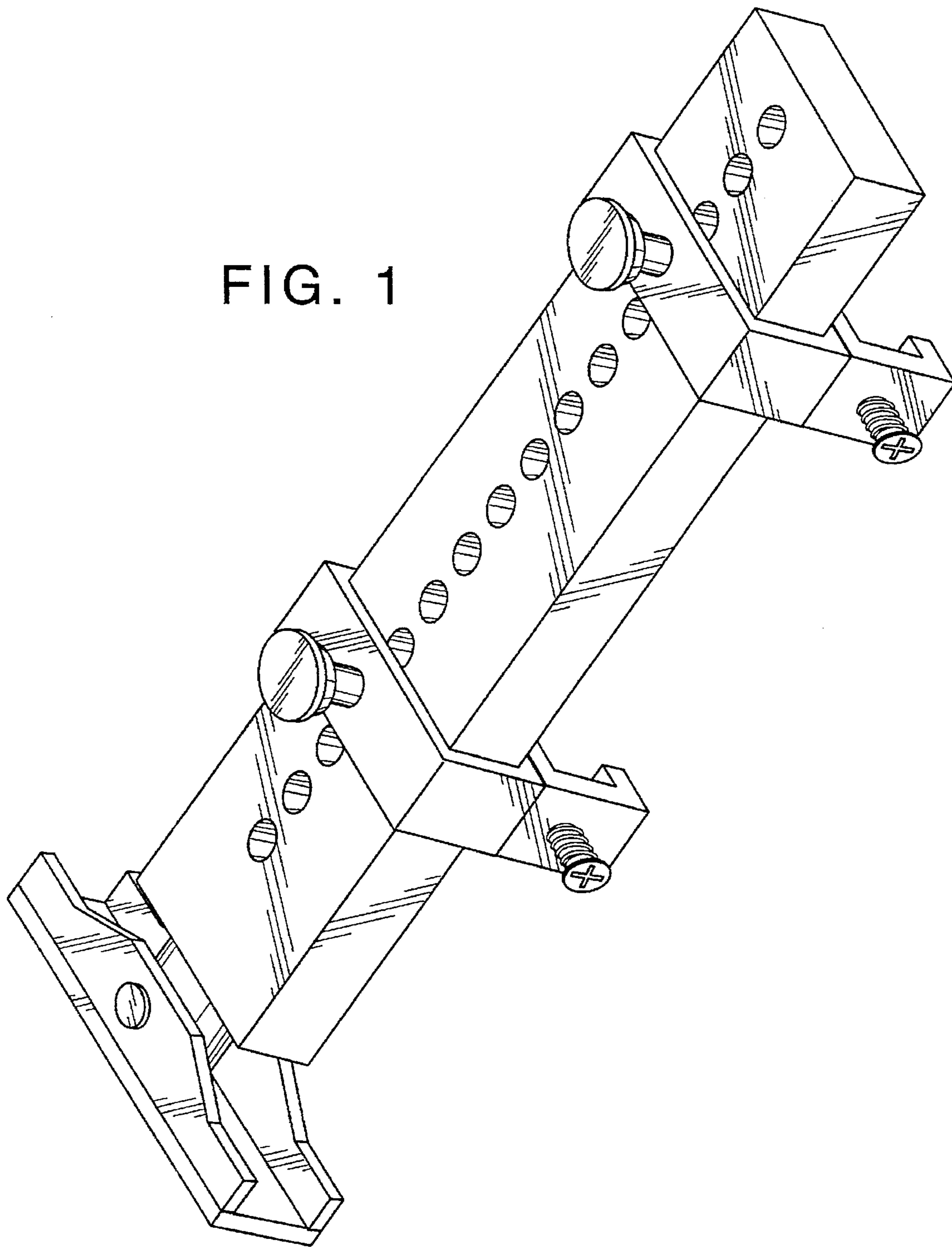


FIG. 1



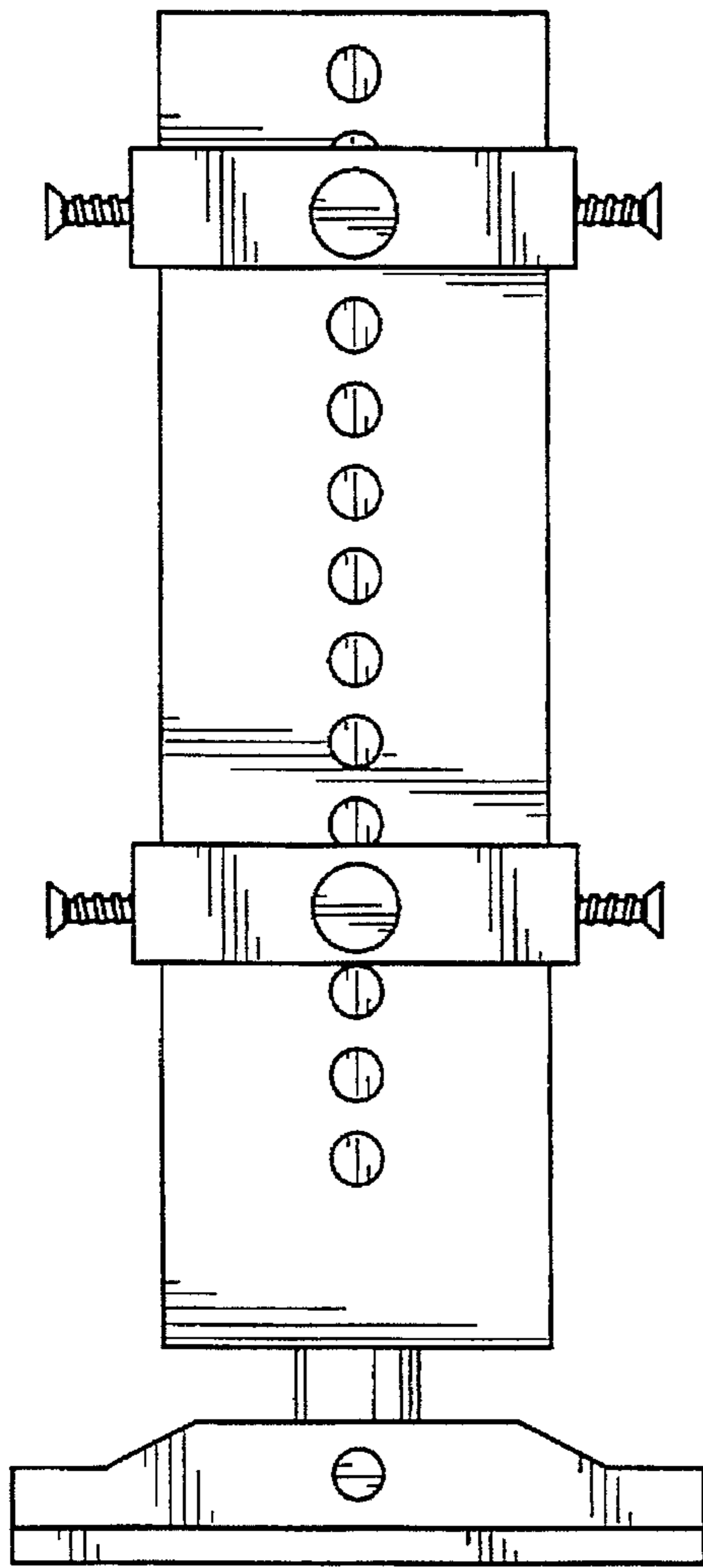


FIG. 2

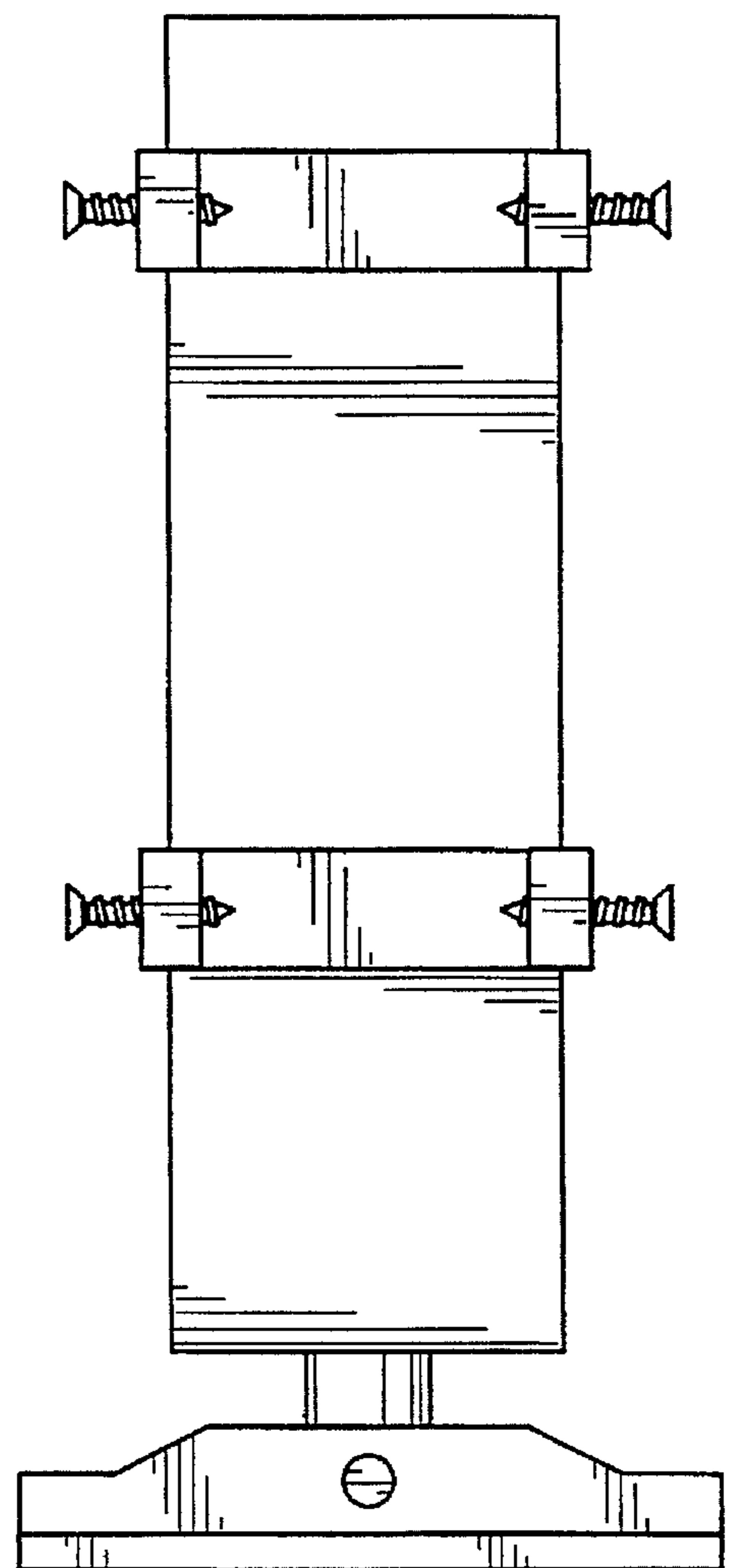


FIG. 3

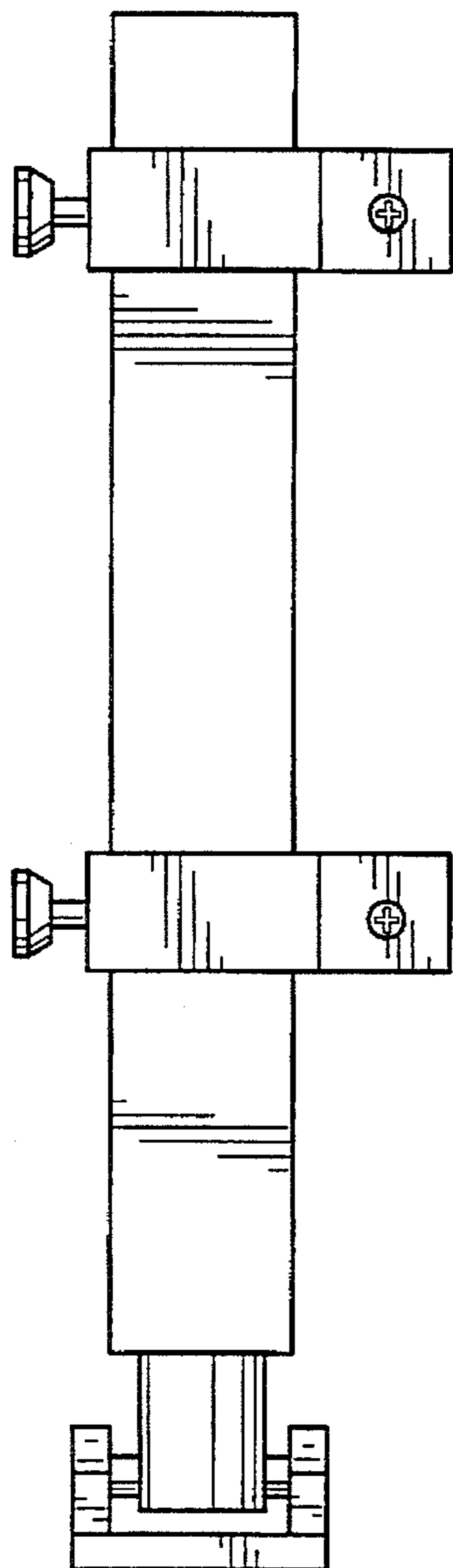


FIG. 4

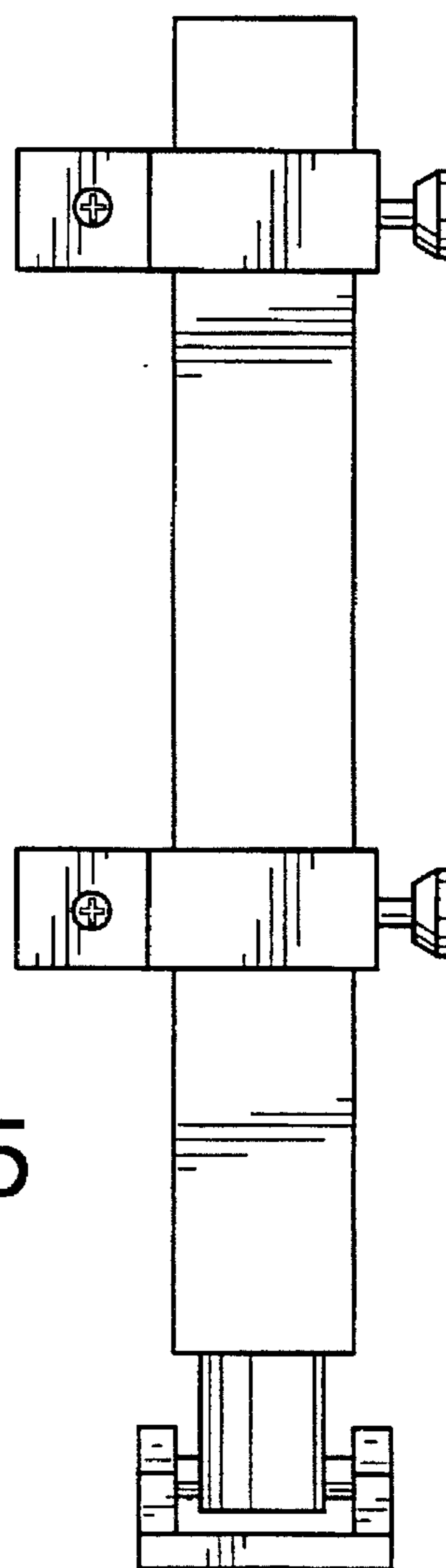


FIG. 5

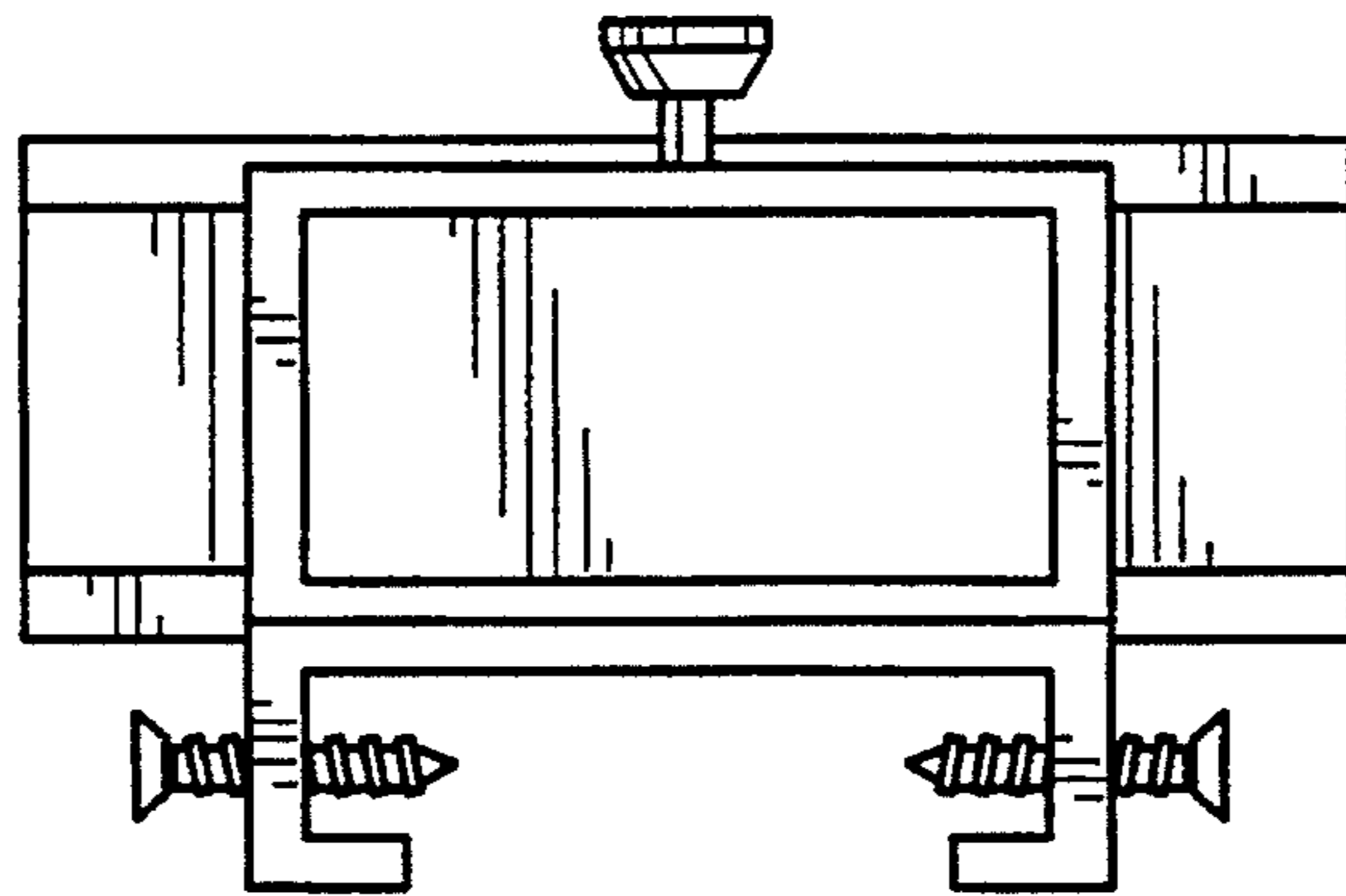


FIG. 6

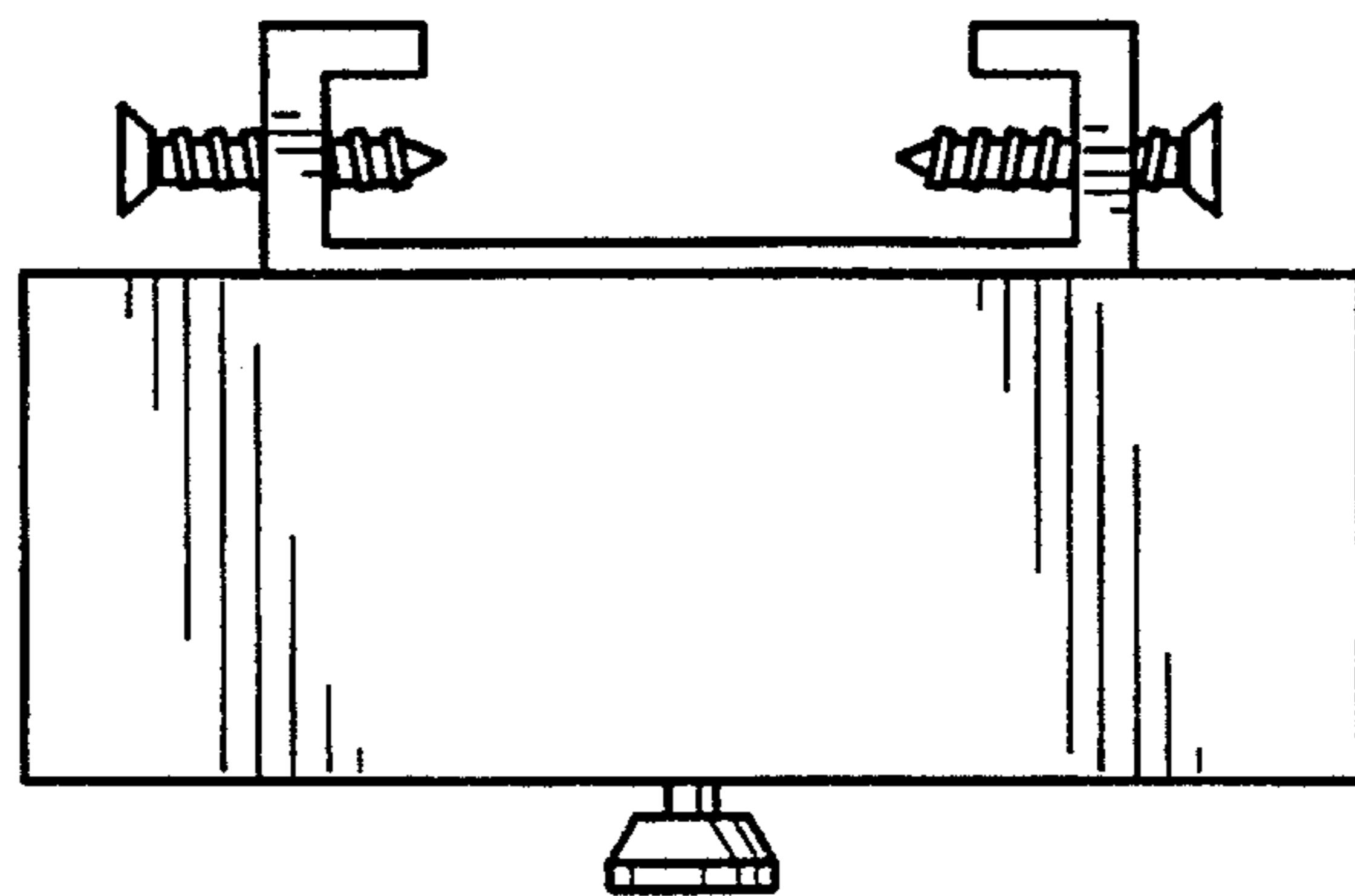


FIG. 7