



US00D380276S

United States Patent [19]

[11] Patent Number: **Des. 380,276**

Gaona et al.

[45] Date of Patent: ****Jun. 24, 1997**

[54] **TOOL HOLDER**

4,726,446	2/1988	Perleix	182/107
4,773,535	9/1988	Cook	206/373
4,993,551	2/1991	Lindsay	206/373

[76] Inventors: **Manuel Gaona; Stephen M. Gaona,**
both of 6509 S. 28th St., Phoenix, Ariz.
85040

Primary Examiner—Doris Clark
Attorney, Agent, or Firm—Parsons & Goltry; Robert A.
Parsons; Michael W. Goltry

[**] Term: **14 Years**

[21] Appl. No.: **38,980**

[57] CLAIM

[22] Filed: **May 18, 1995**

The ornamental design for a tool holder, as shown and described.

Related U.S. Application Data

DESCRIPTION

[63] Continuation-in-part of Ser. No. 21,452, Apr. 18, 1994,
abandoned.

[51] LOC (6) Cl. **25-04**

[52] U.S. Cl. **D25/68**

[58] Field of Search D25/62, 68; D8/71;
D2/229; D3/40, 48, 105, 75, 53, 36, 52,
303, 304, 315; 182/107-108, 129, 46; 248/210;
206/234, 349, 372, 373

FIG. 1 is a perspective view of a tool holder, showing my new design therefor, for purposes of illustration the tool holder being shown as mounted upon a step ladder drawn in broken outline;

FIG. 2 is a left end elevational view, it being understood that the right end elevational view is a mirror image thereof;

FIG. 3 is a top plan view;

FIG. 4 is a bottom plan view;

FIG. 5 is a right side elevational view; and,

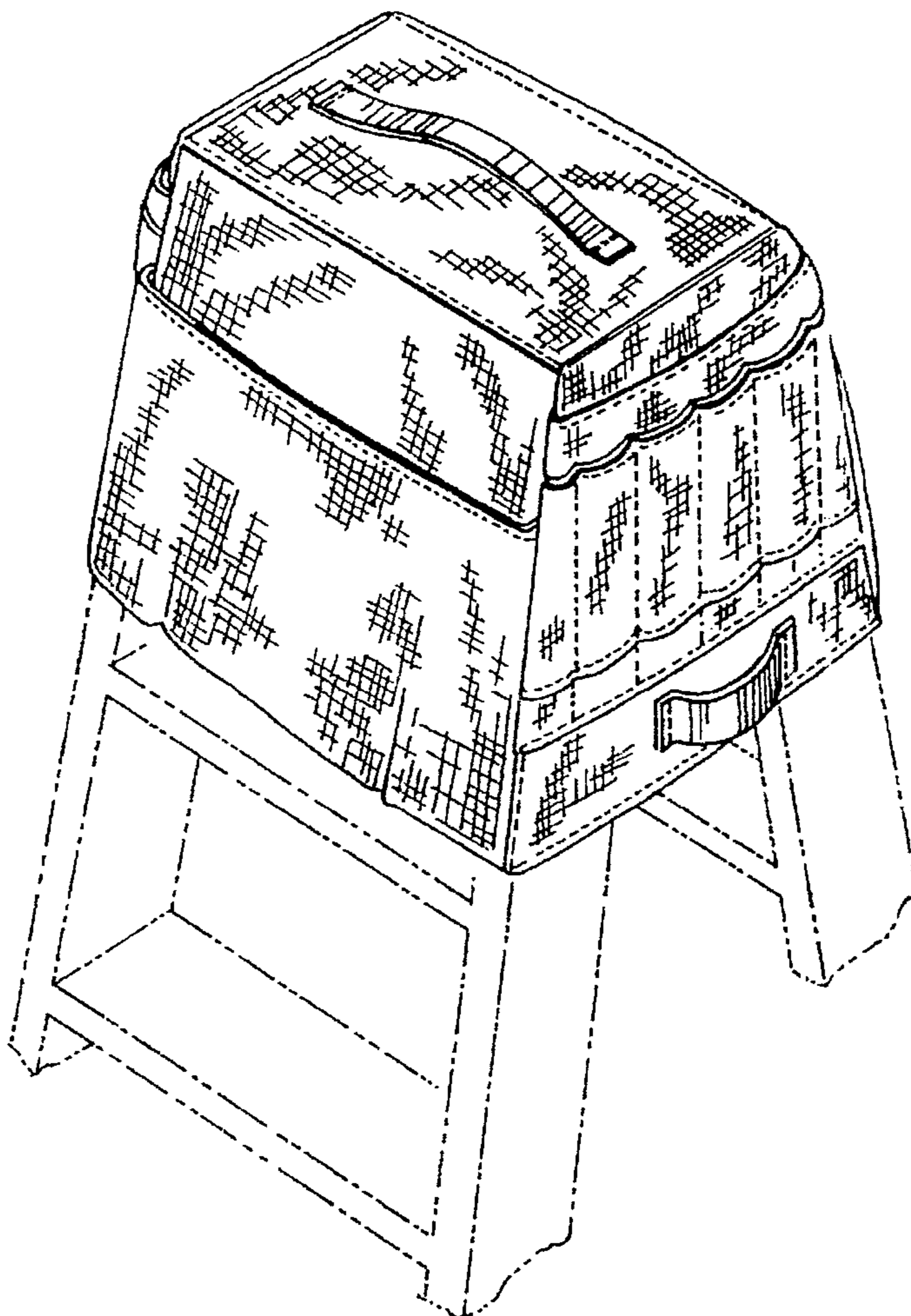
FIG. 6 is a left side elevational view.

[56] References Cited

U.S. PATENT DOCUMENTS

D. 317,206 5/1991 Cagle D25/68

1 Claim, 1 Drawing Sheet



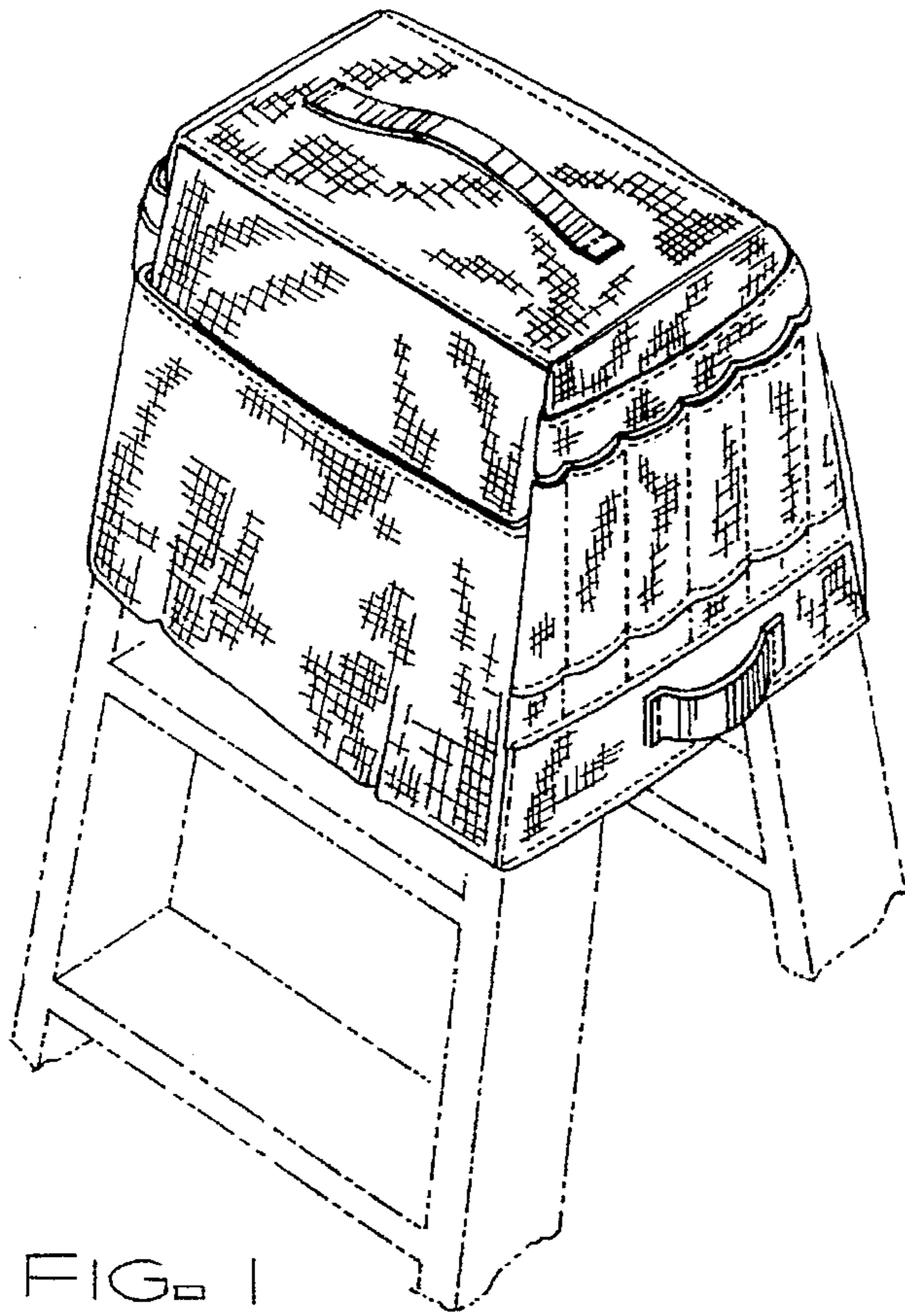


FIG. 1

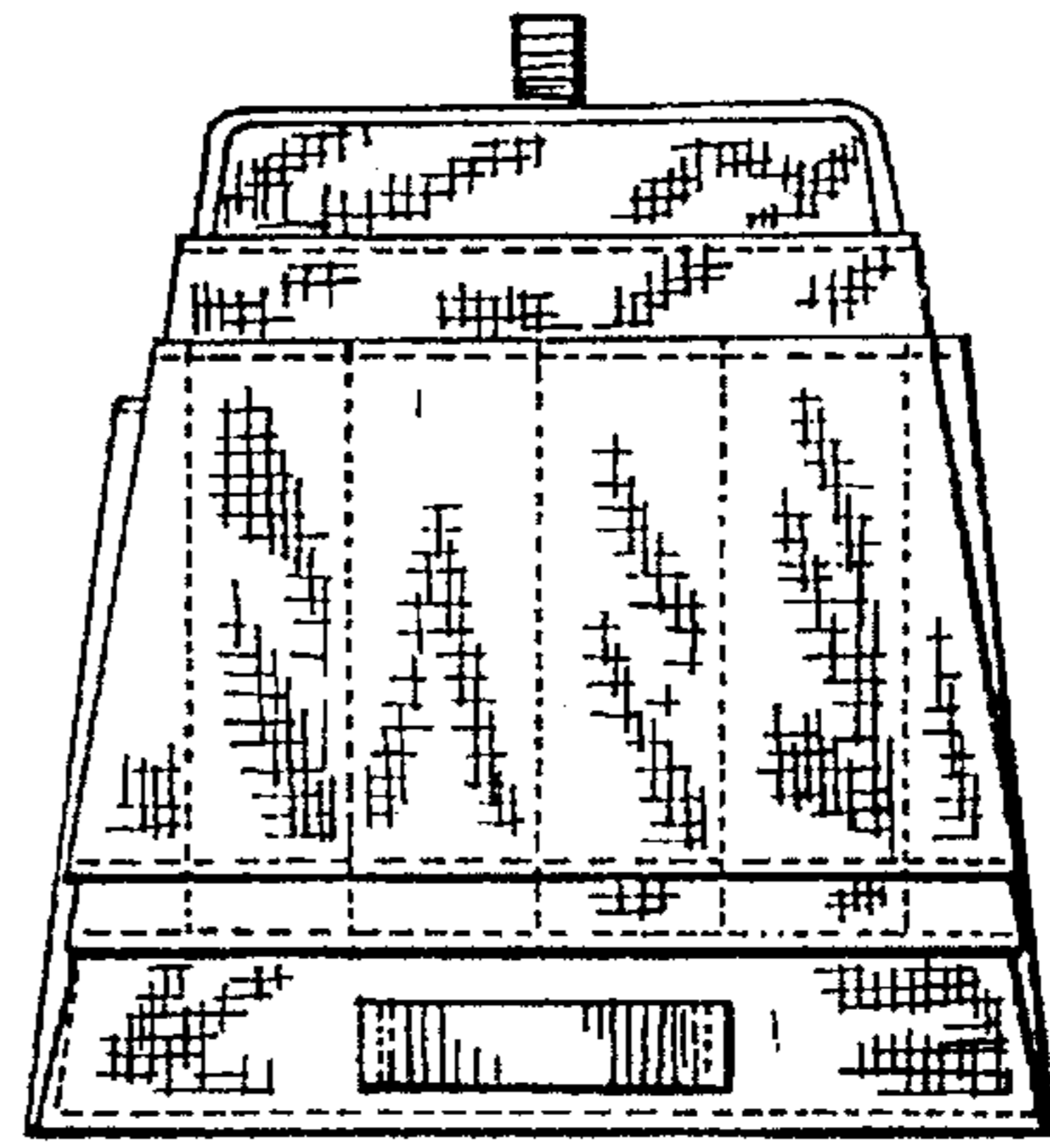


FIG. 2

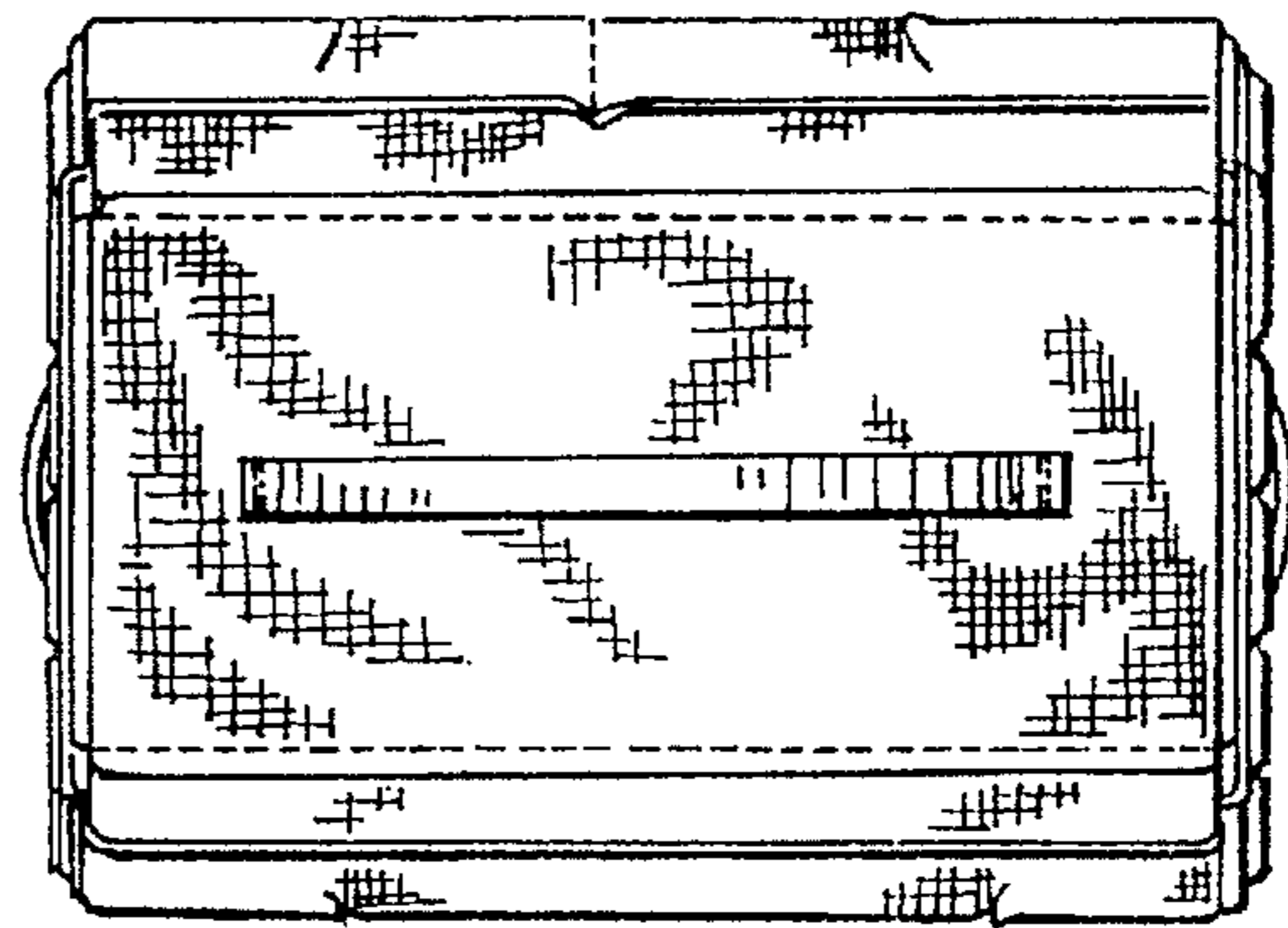


FIG. 3

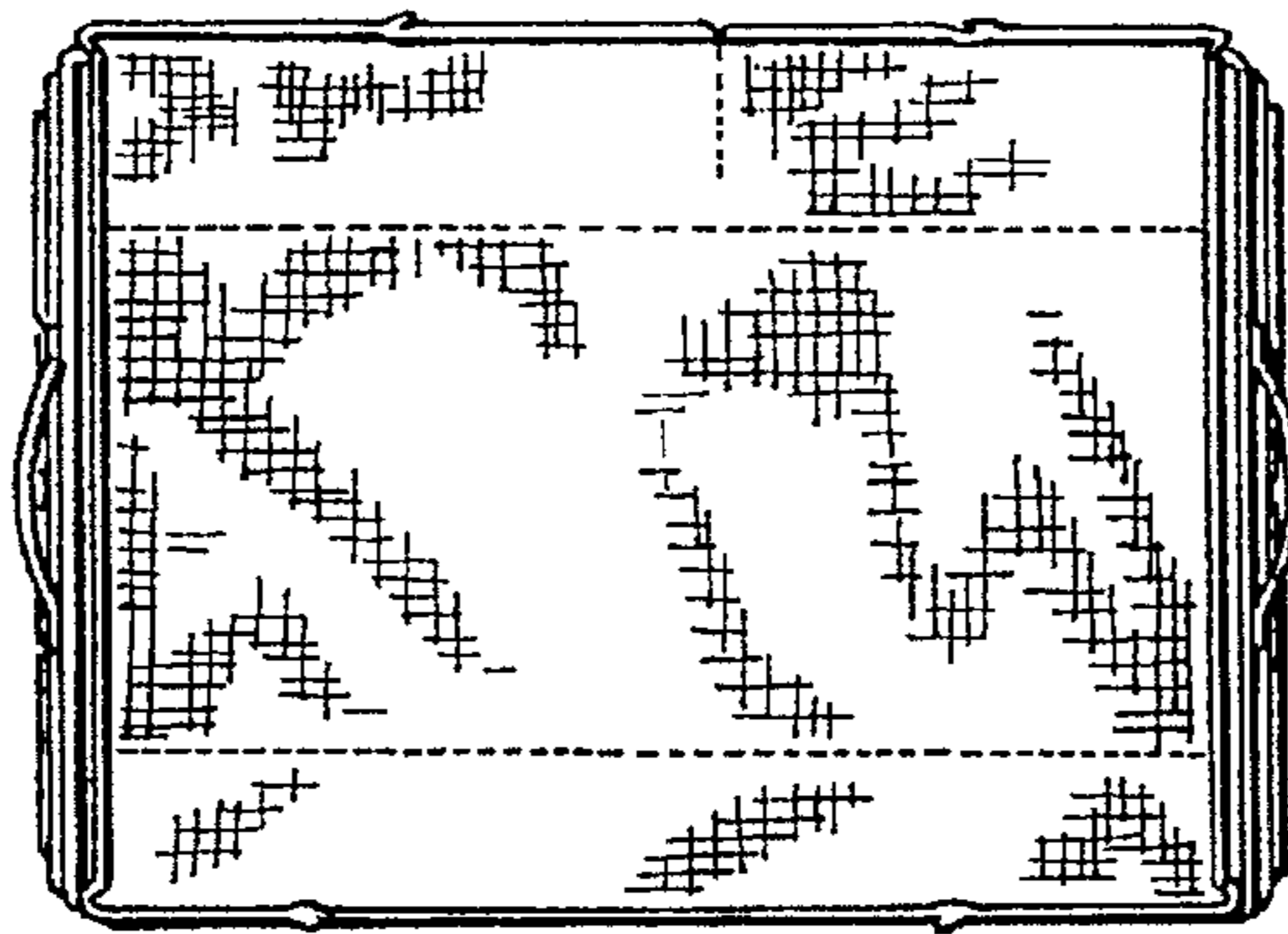


FIG. 4

FIG. 6

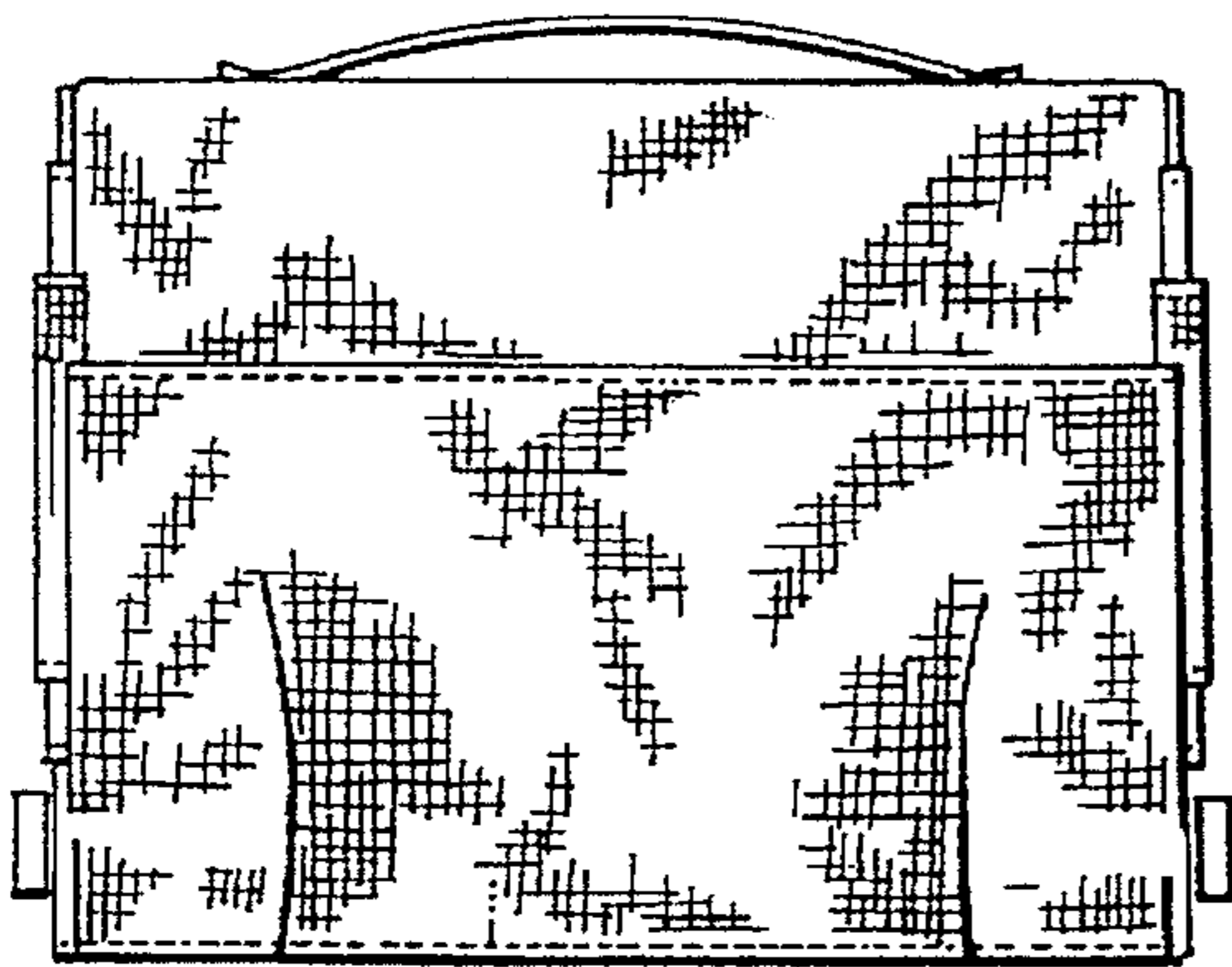


FIG. 5

