



US00D380274S

United States Patent [19]

[11] Patent Number: **Des. 380,274**

Stamets

[45] Date of Patent: ****Jun. 24, 1997**

[54] **COLUMN PROTECTOR**

[76] Inventor: **Robert C. Stamets**, 55631 Riviera Dr., Elkhart, Ind. 46514

[**] Term: **14 Years**

[21] Appl. No.: **48,371**

[22] Filed: **Dec. 27, 1995**

[51] LOC (6) Cl. **25-02**

[52] U.S. Cl. **D25/38**

[58] Field of Search D25/132, 133, D25/135, 38; 52/244; 256/1, 13.1; 47/24, 33

4,901,472	2/1990	Donohue et al.	47/23
5,002,423	3/1991	Mileti .	
5,035,078	7/1991	Kipnees et al.	47/24
5,044,815	9/1991	Wright	47/23
5,048,229	9/1991	Campbell .	
5,323,583	6/1994	Venegas, Jr.	256/1
5,369,925	12/1994	Vargo .	

Primary Examiner—Doris Clark
Attorney, Agent, or Firm—Woodard, Emhardt, Naughton Moriarty & McNett

[57] **CLAIM**

The ornamental design for a column protector, as shown and described.

DESCRIPTION

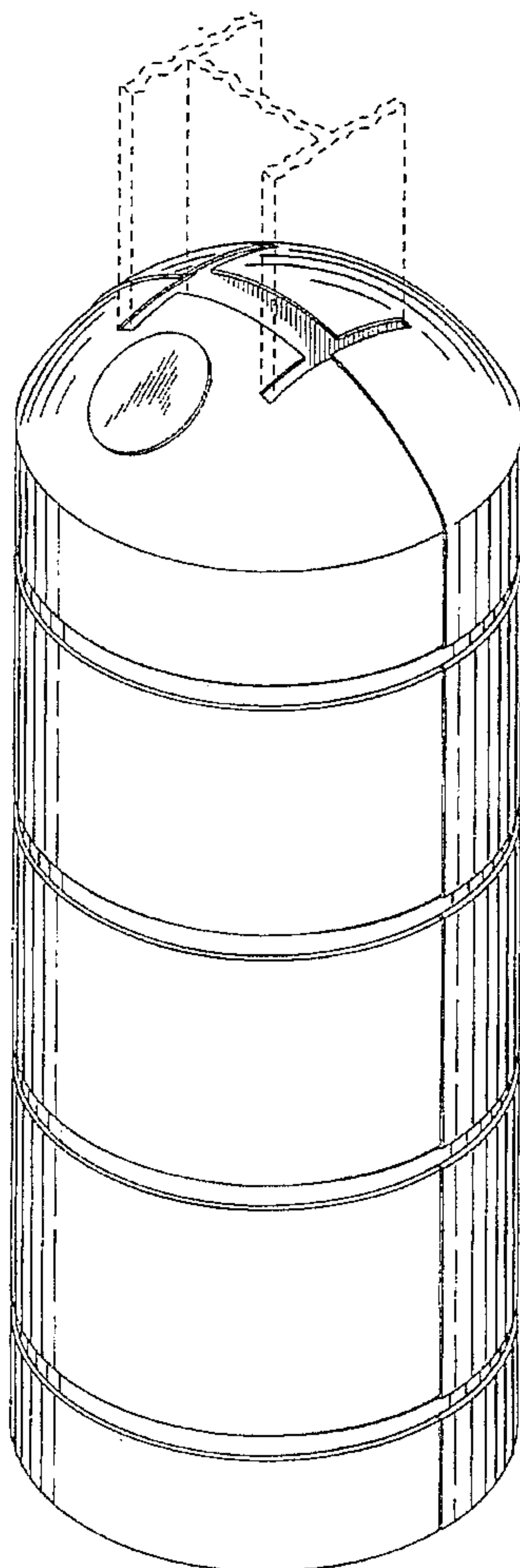
FIG. 1 is a perspective view of the column protector of the present invention;
FIG. 2 is a front elevational view thereof;
FIG. 3 is a side elevational view thereof;
FIG. 4 is a rear elevational view thereof;
FIG. 5 is a top plan view thereof; and,
FIG. 6 is a bottom plan view thereof.
The broken lines showing a beam is for illustrative purposes only, and forms no part of the claimed design.

1 Claim, 3 Drawing Sheets

[56] **References Cited**

U.S. PATENT DOCUMENTS

D. 349,164	7/1994	Fox	D25/38
1,673,729	6/1928	Barnes	47/23
3,104,875	9/1963	Doyle .	
3,141,655	7/1964	Platt .	
3,309,824	3/1967	Barrett .	
3,591,144	7/1971	Iving .	
3,815,733	6/1974	Roberts, Jr. .	
4,071,996	2/1978	Muto et al. .	
4,596,106	6/1986	Kunczynski .	



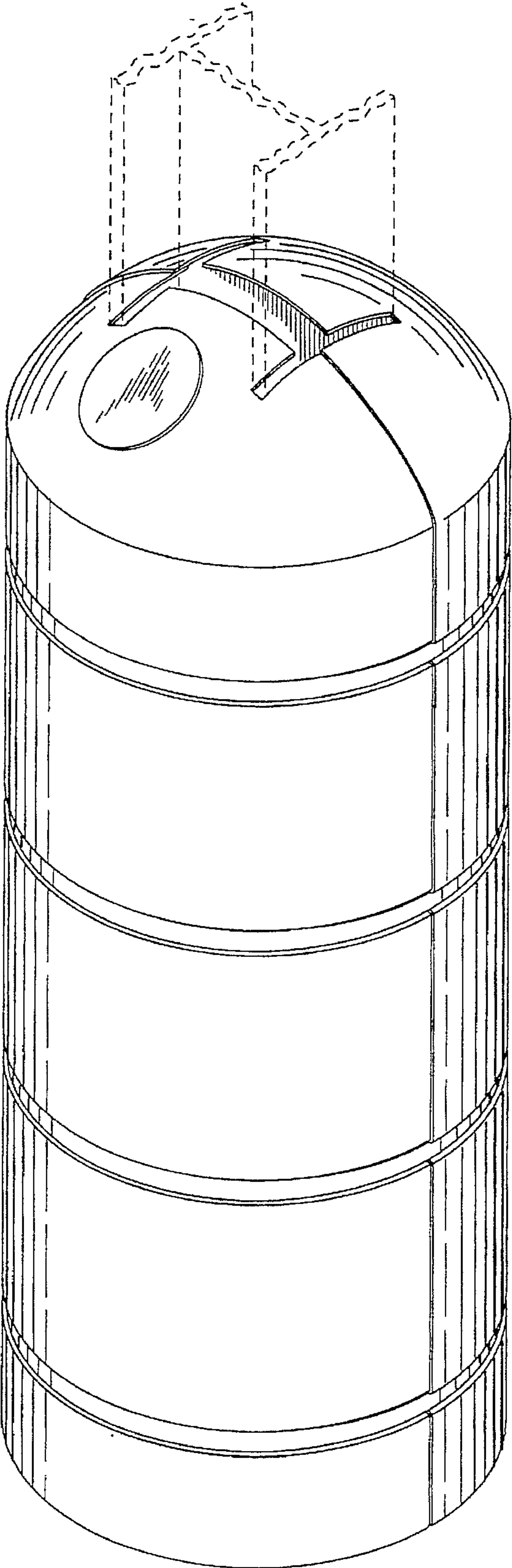


Fig. 1

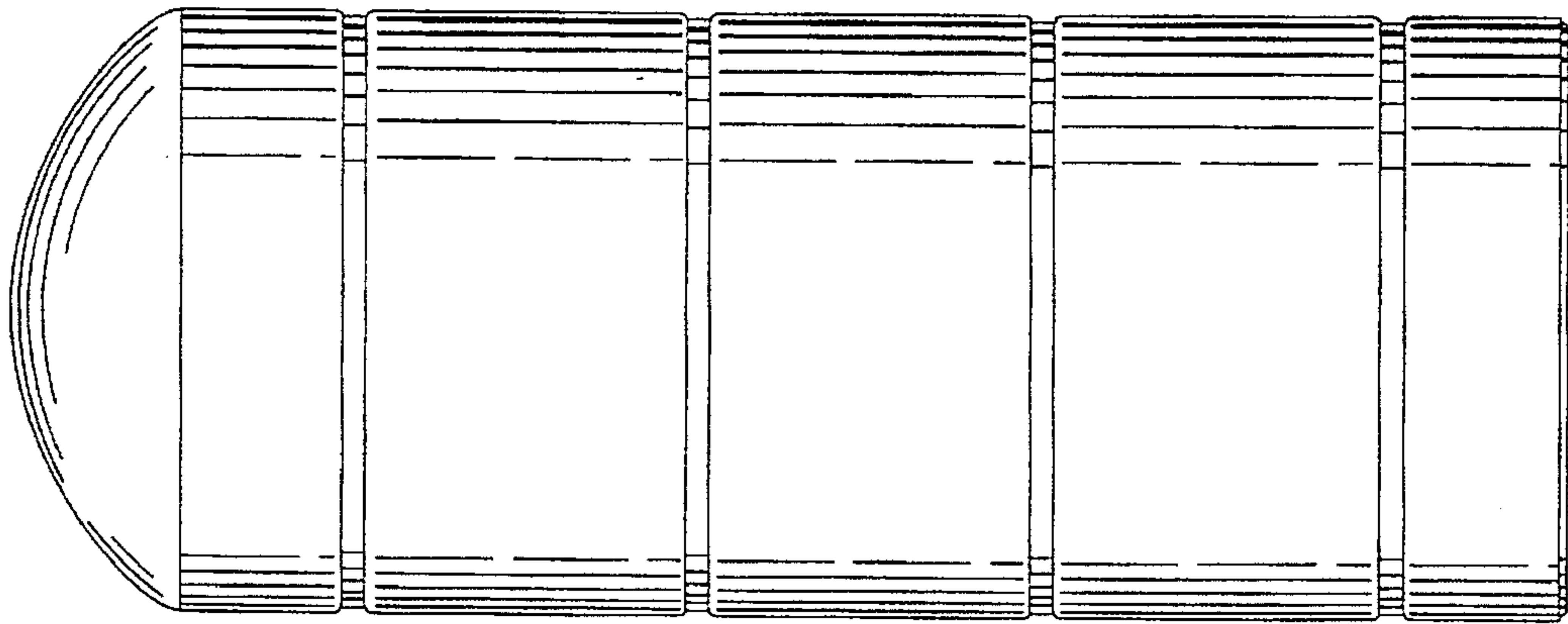


Fig. 4

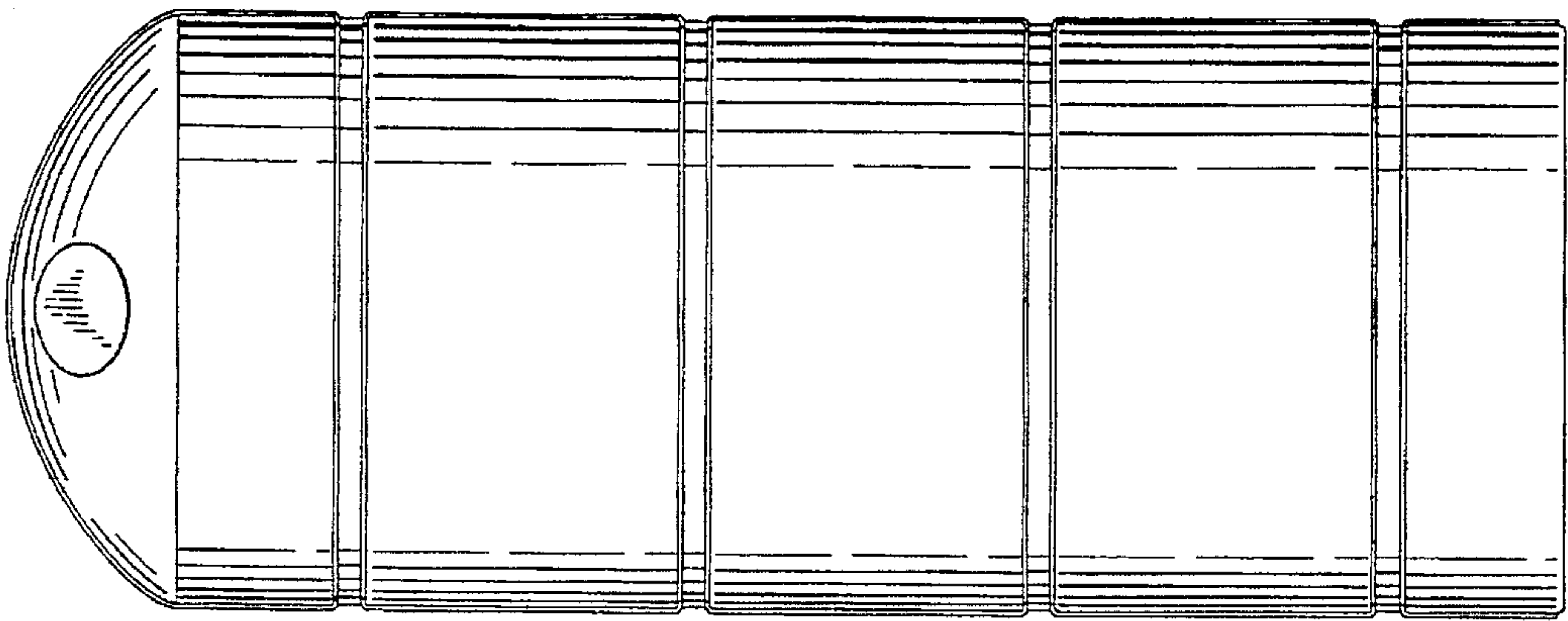


Fig. 2

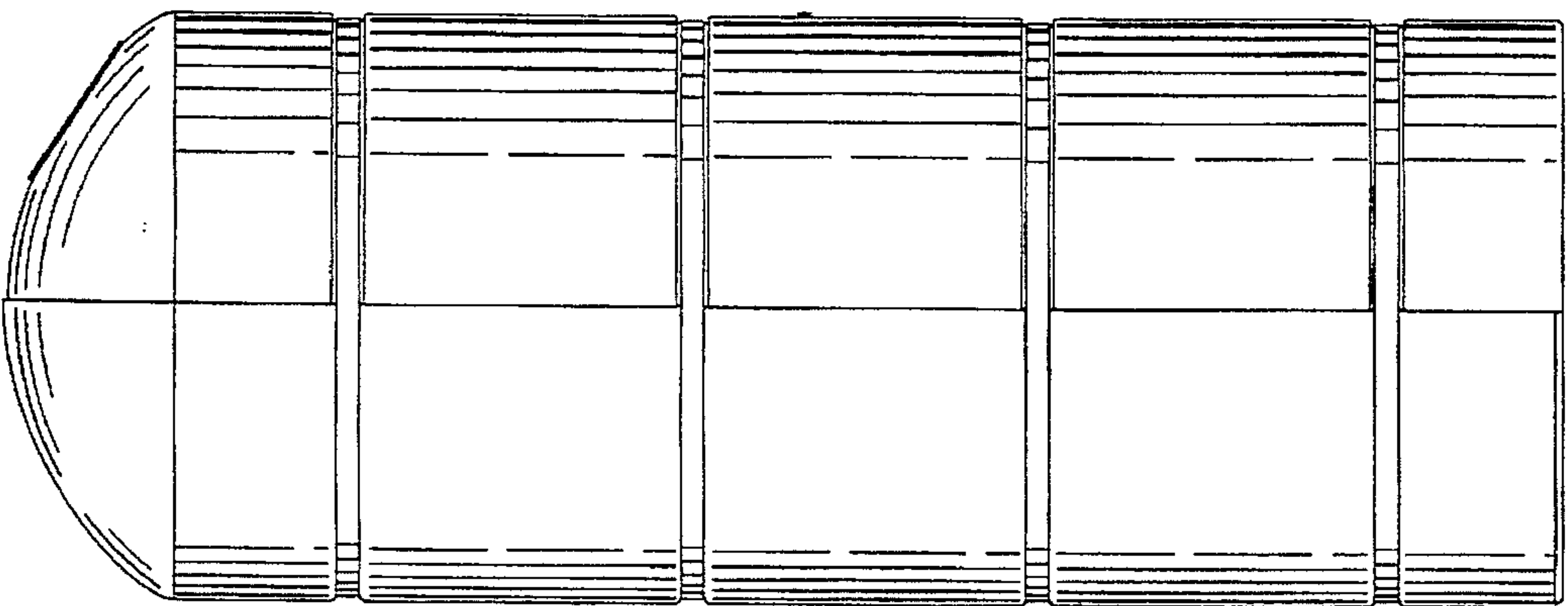


Fig. 3

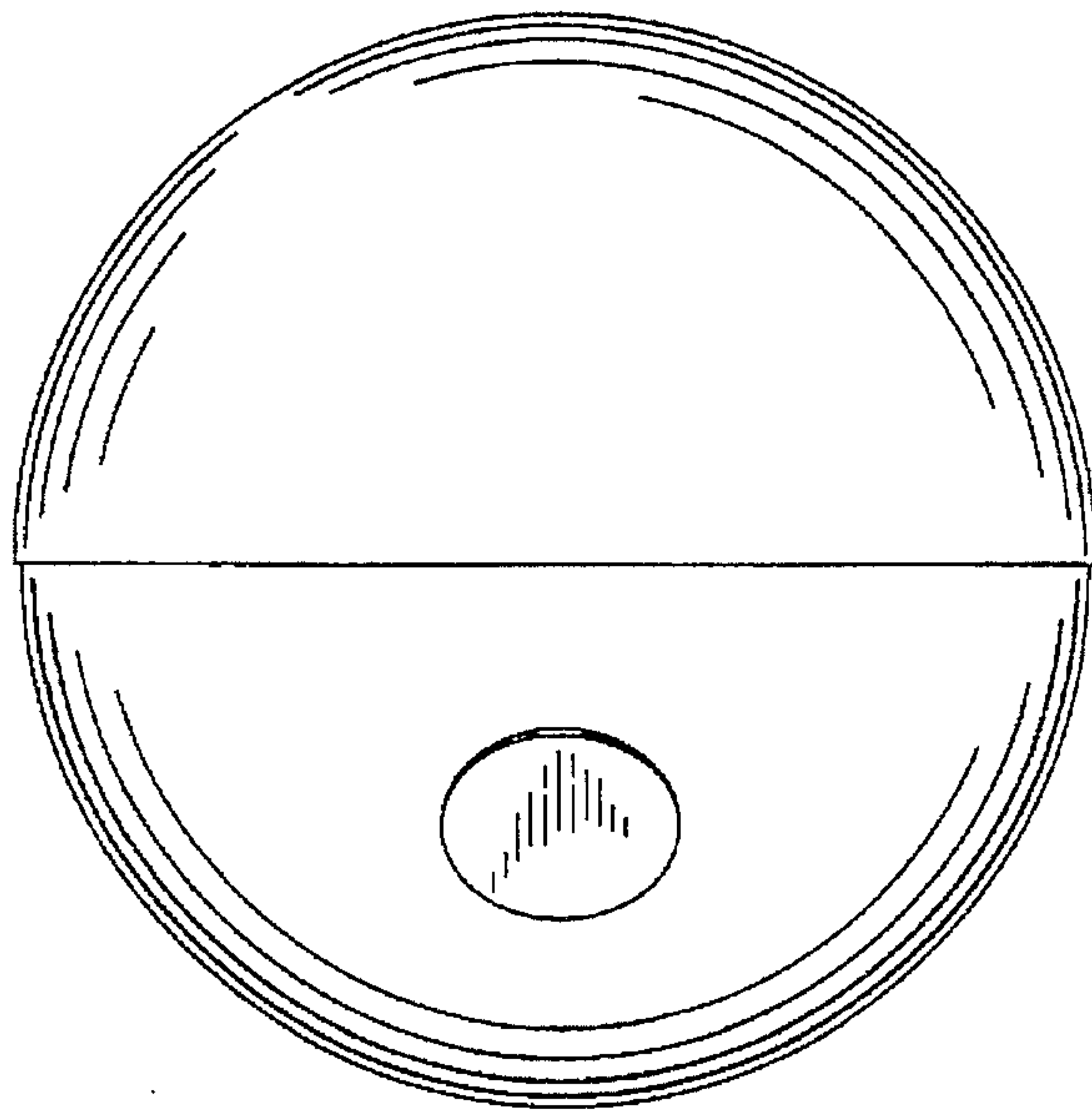


Fig. 5

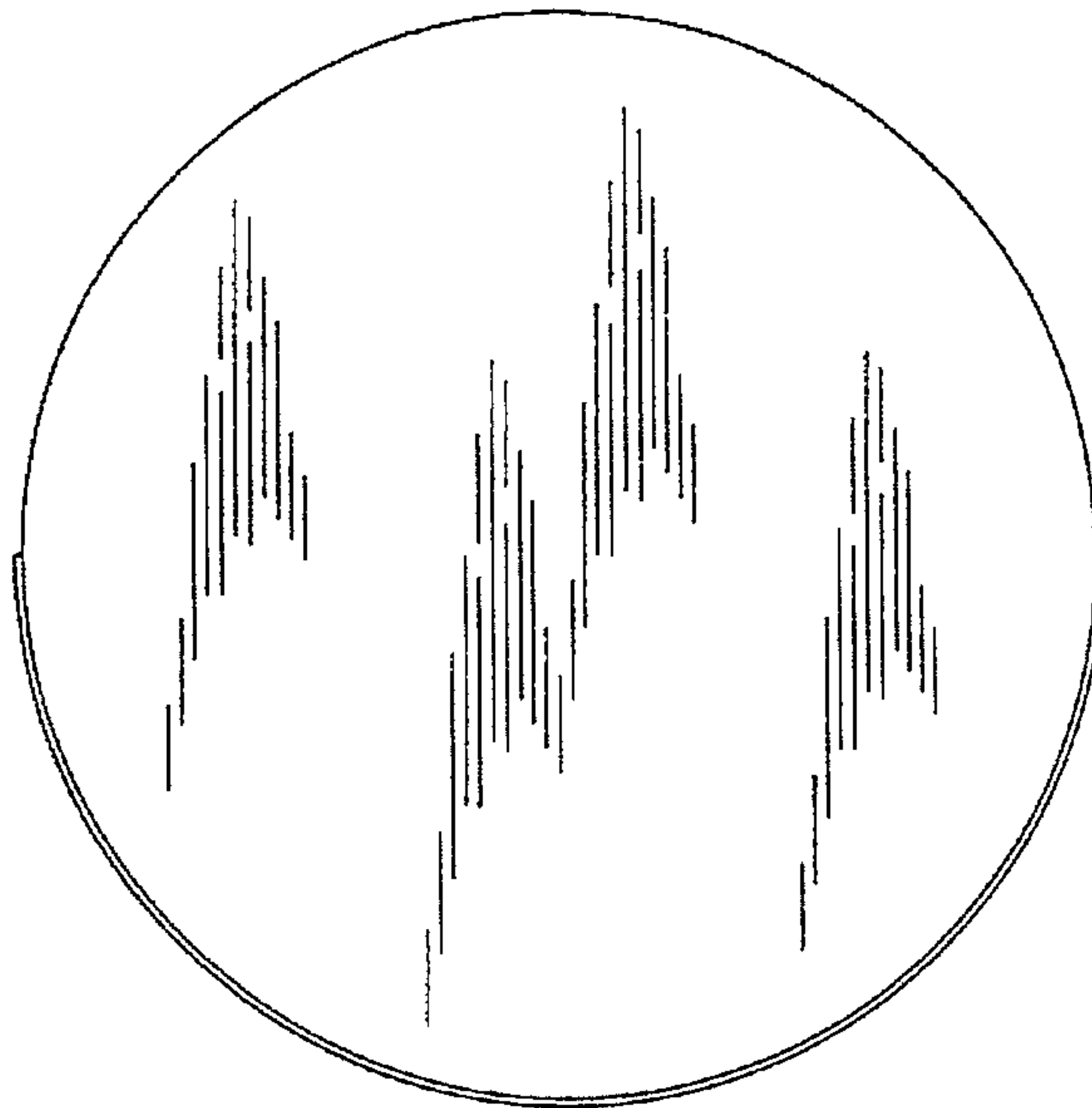


Fig. 6