



US00D380272S

United States Patent [19]

Partika et al.

[11] Patent Number: **Des. 380,272**

[45] Date of Patent: ****Jun. 24, 1997**

[54] **SKIN PREPARATION TRAY**

[75] Inventors: **Lawrence Partika**, Bridgewater;
Vivekanand Arya, Fairview;
Christopher Johnson, Ringwood, all of
N.J.

[73] Assignee: **Becton, Dickinson and Company**,
Franklin Lakes, N.J.

[**] Term: **14 Years**

[21] Appl. No.: **41,124**

[22] Filed: **Jul. 7, 1995**

[51] LOC (6) Cl. **24-01**

[52] U.S. Cl. **D24/229; D24/227; D9/347**

[58] Field of Search D28/61, 73; D9/341,
D9/347, 345, 424, 425; D24/227, 229;
D7/551, 701, 553, 555; D32/55; 206/438,
362, 362.3, 363-366, 369, 370, 569-572,
557-559, 561-564; 220/501, 527, 570,
571, 669, 675, DIG. 12, DIG. 13

[56] **References Cited**

U.S. PATENT DOCUMENTS

D. 160,313	10/1950	Fuller	206/564	X
D. 222,312	10/1971	Hurtz	D4/121	X
D. 262,995	2/1982	Gaba et al.	D24/229	
D. 342,896	1/1994	Gottofredi	D9/425	
3,776,371	12/1973	Linger	206/564	X
3,976,195	8/1976	Cohen	206/362	

3,987,895	10/1976	Jamshidi	206/72	
4,170,300	10/1979	Pick	206/365	
4,226,328	10/1980	Beddow	206/364	
4,497,406	2/1985	Takanashi	206/557	X
4,501,363	2/1985	Isbey, Jr.	206/570	
4,522,302	6/1985	Paikoff	D24/229	X
4,523,679	6/1985	Paikoff et al.	206/370	
4,852,738	8/1989	Craig et al.	206/558	X
5,178,282	1/1993	Williams	206/570	
5,381,896	1/1995	Simons	206/564	

Primary Examiner—Ted Shooman

Assistant Examiner—C. Tuttle

Attorney, Agent, or Firm—Vincent A. Castiglione

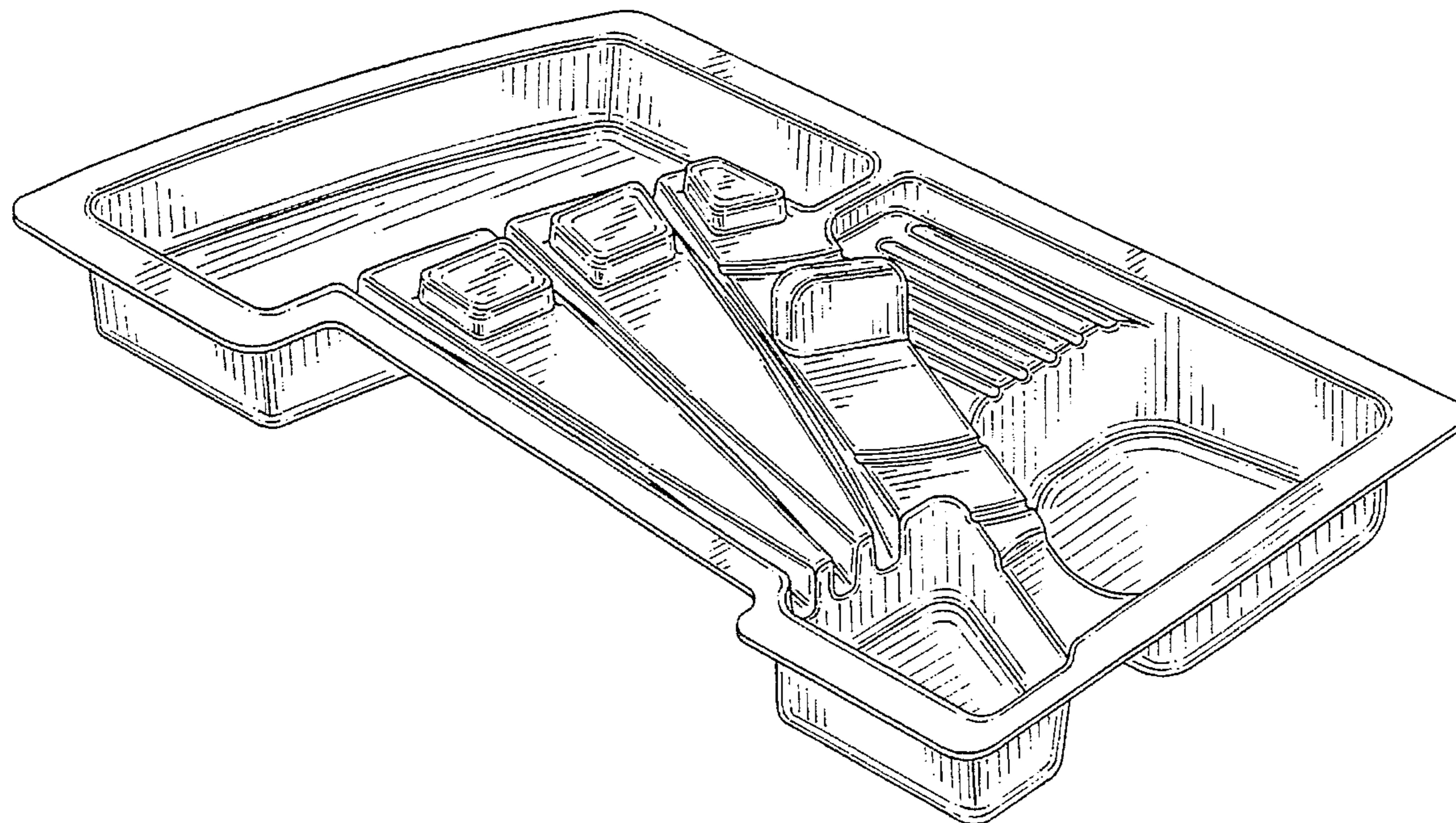
[57] CLAIM

The ornamental design for a skin preparation tray, as shown and described.

DESCRIPTION

FIG. 1 is a perspective view of a skin preparation tray, showing our design;
 FIG. 2 is a top plan view thereof;
 FIG. 3 is a left side elevational view thereof;
 FIG. 4 is a right side elevational view thereof;
 FIG. 5 is a front elevational view thereof;
 FIG. 6 is a rear end elevational view thereof;
 FIG. 7 is a bottom plan view thereof; and,
 FIG. 8 is a second perspective view thereof the skin swabs shown in broken lines being for illustrative purposes only and forming no part of the claimed design.

1 Claim, 6 Drawing Sheets



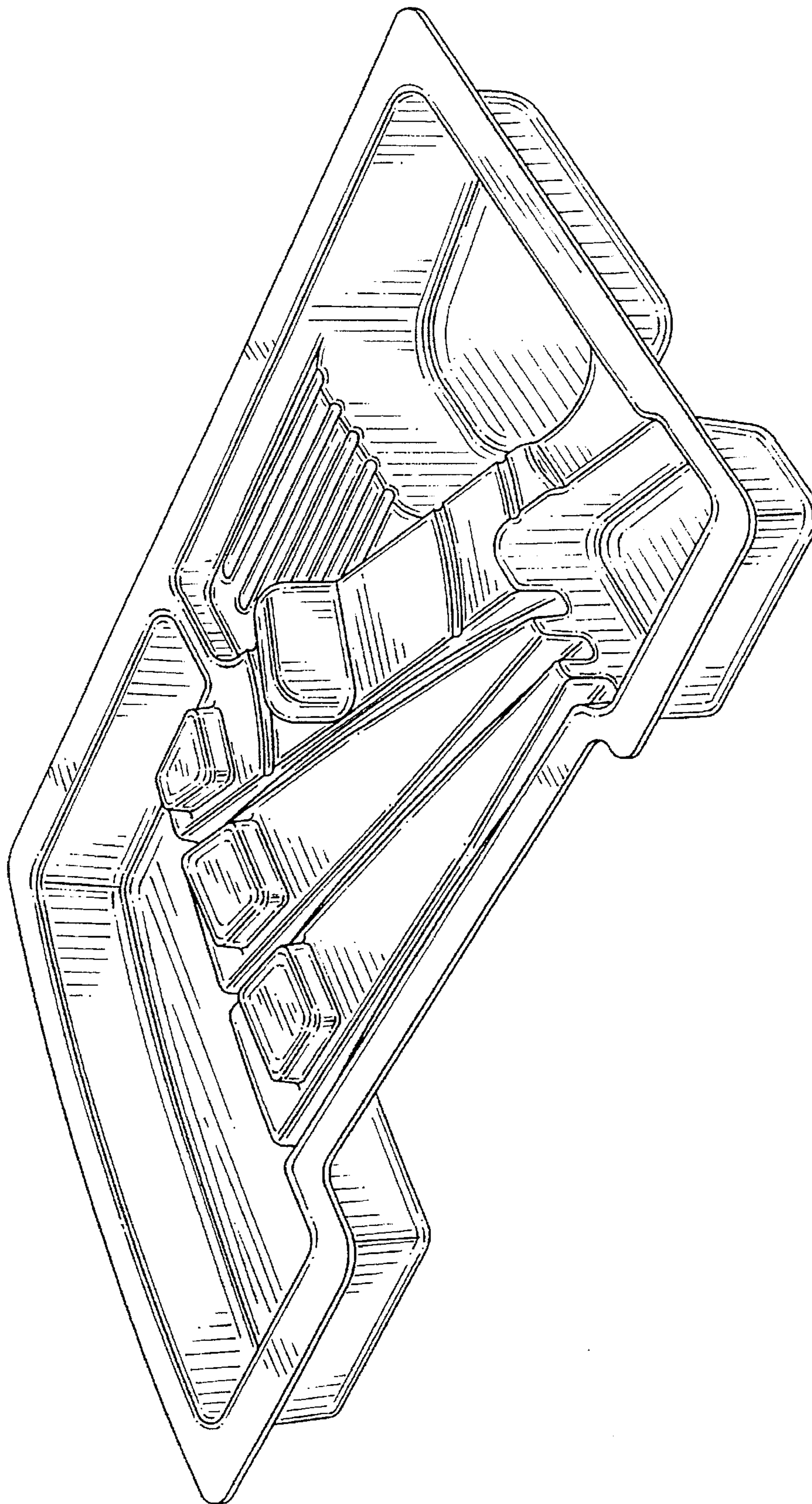


FIG-1

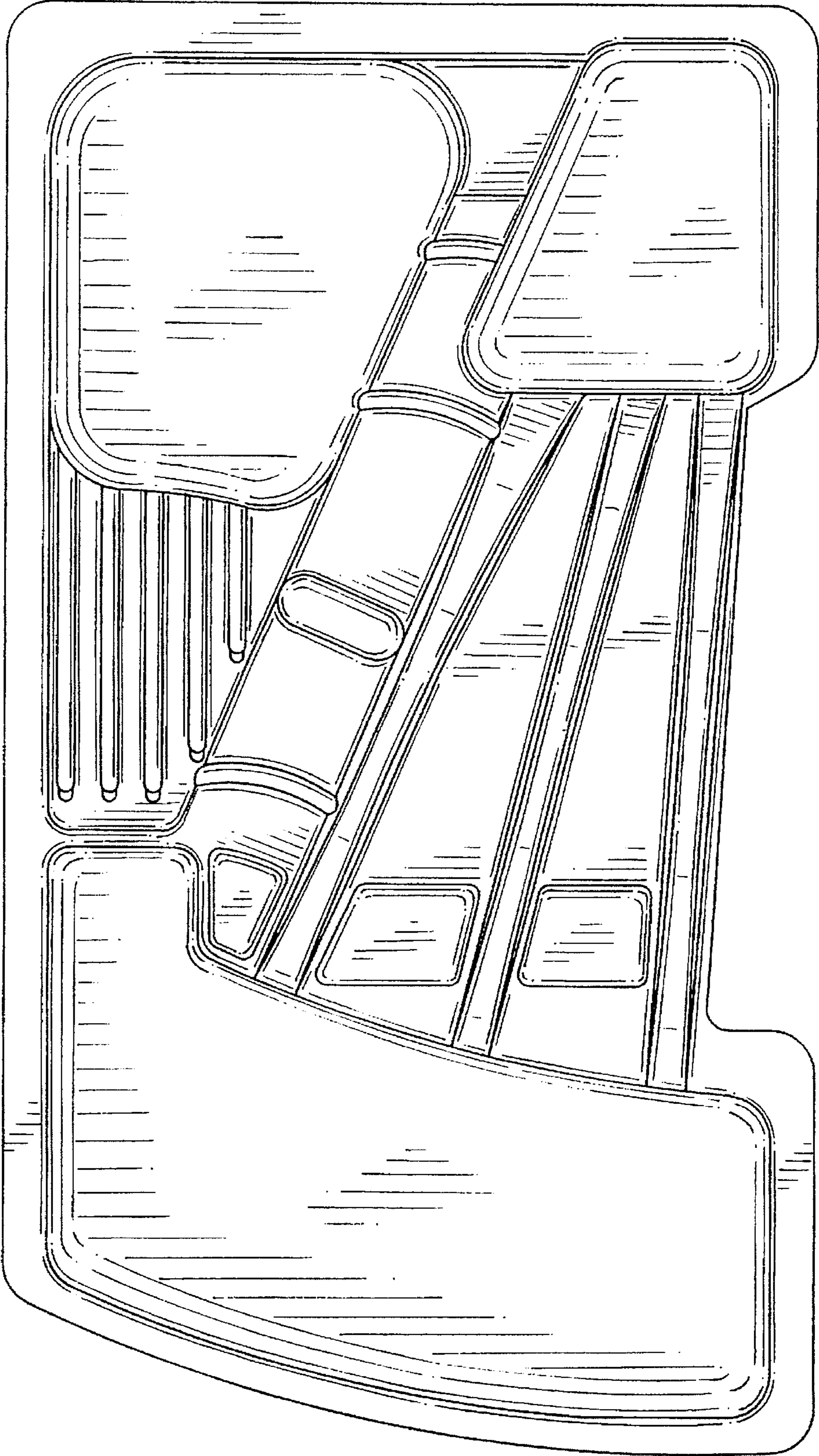


FIG-2

FIG-3

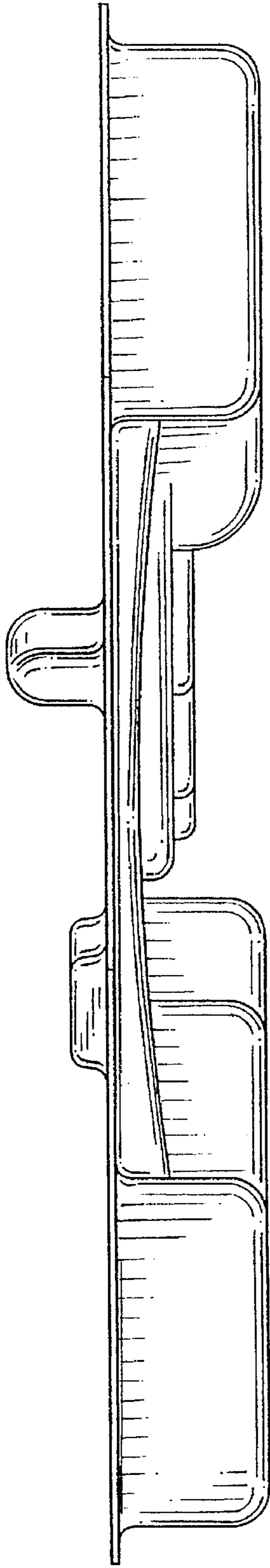


FIG-4

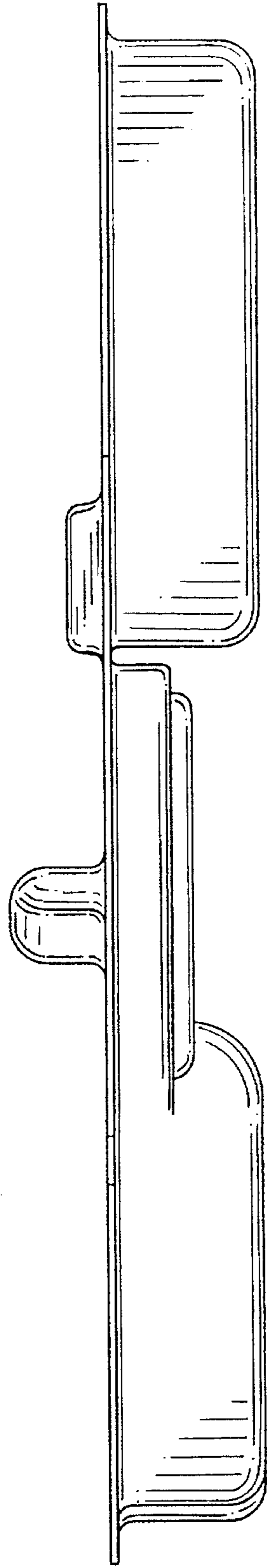


FIG-5

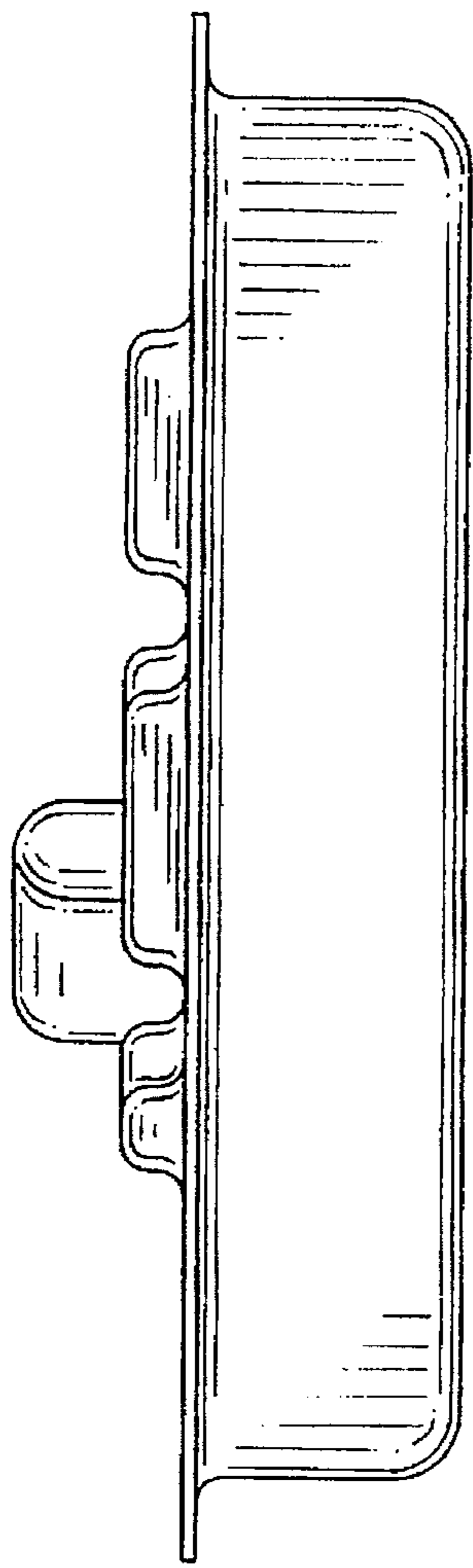
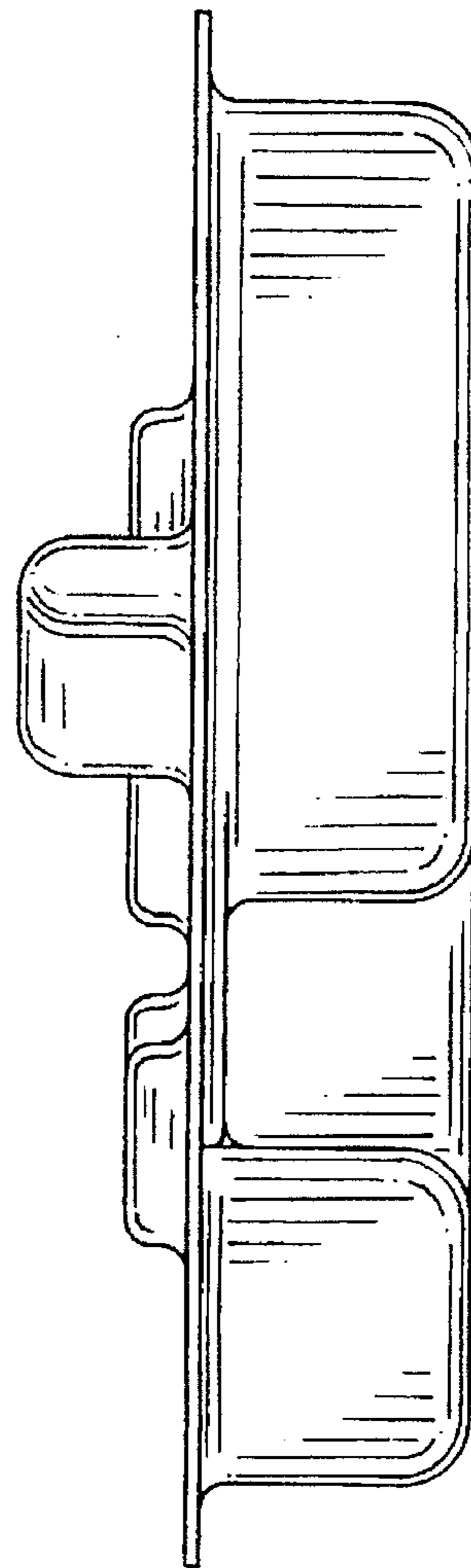


FIG-6



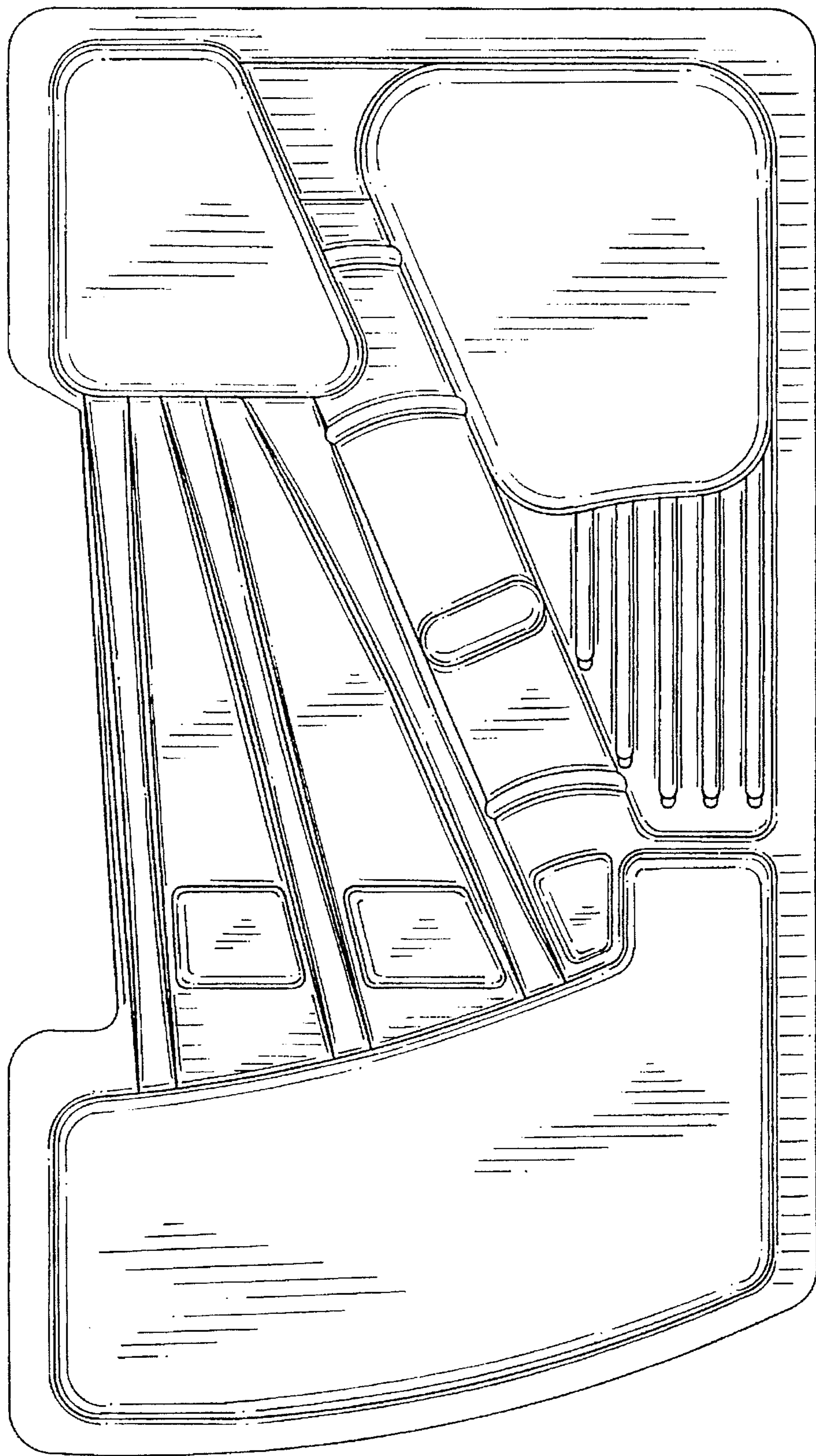


FIG-7

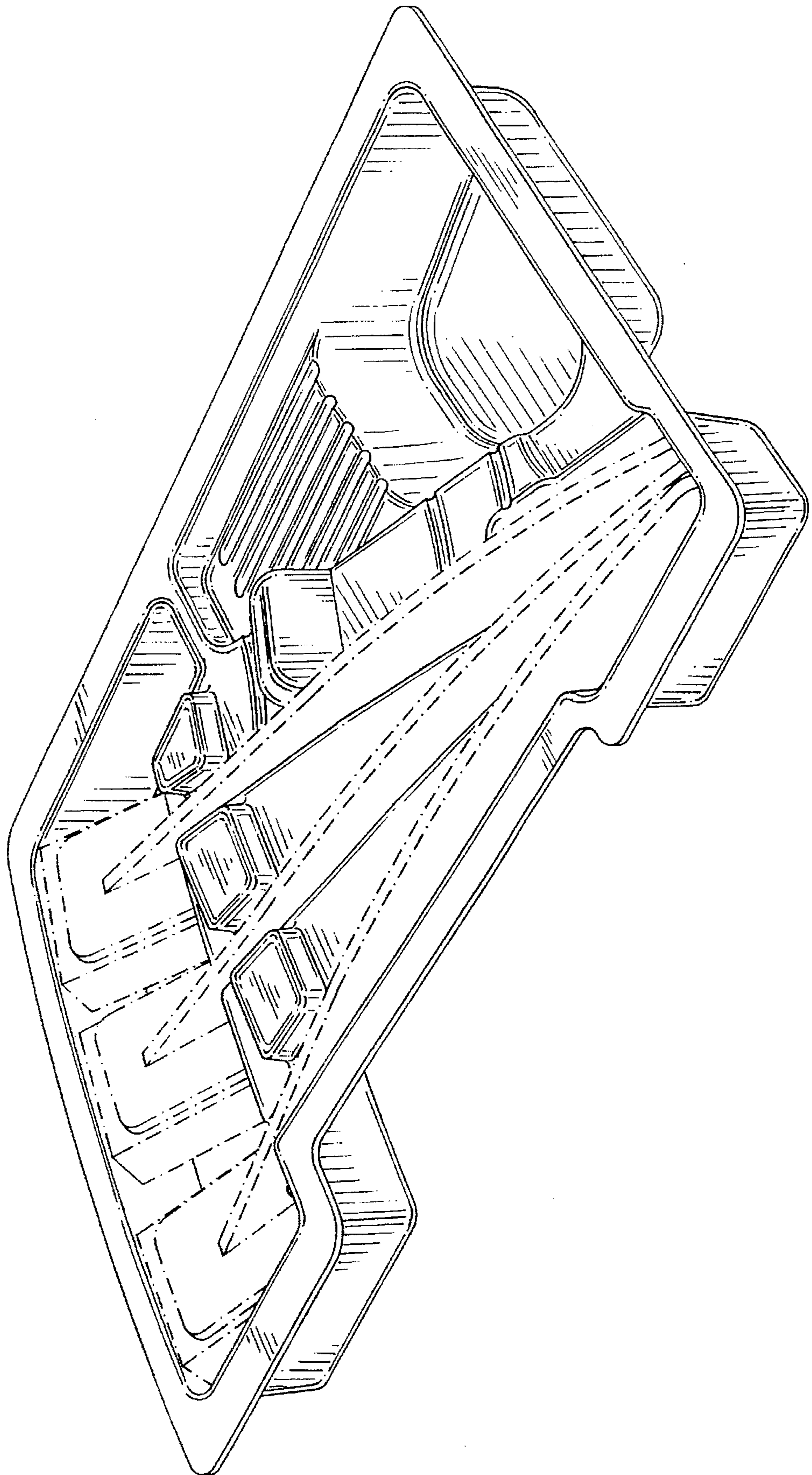


FIG-8