



US00D380270S

United States Patent [19] Rekar

[11] Patent Number: **Des. 380,270**
[45] Date of Patent: ****Jun. 24, 1997**

[54] **MEDICINE DISPENSING PACIFIER**

5,123,915 6/1992 Miller et al. 606/234

[76] Inventor: **Christine M. Rekar**, 16500 Manning St., Detroit, Mich. 48205

Primary Examiner—Stella Reid
Attorney, Agent, or Firm—Harold H. Dutton, Jr.; W. Charles L. Jamison; Diane F. Liebman

[**] Term: **14 Years**

[57] CLAIM

[21] Appl. No.: **44,059**

The ornamental design for a medicine dispensing pacifier, as shown and described.

[22] Filed: **Sep. 15, 1995**

DESCRIPTION

[51] LOC (6) Cl. **24-04**

[52] U.S. Cl. **D24/194**

[58] Field of Search D24/194, 196,
D24/193; 606/234, 235, 236

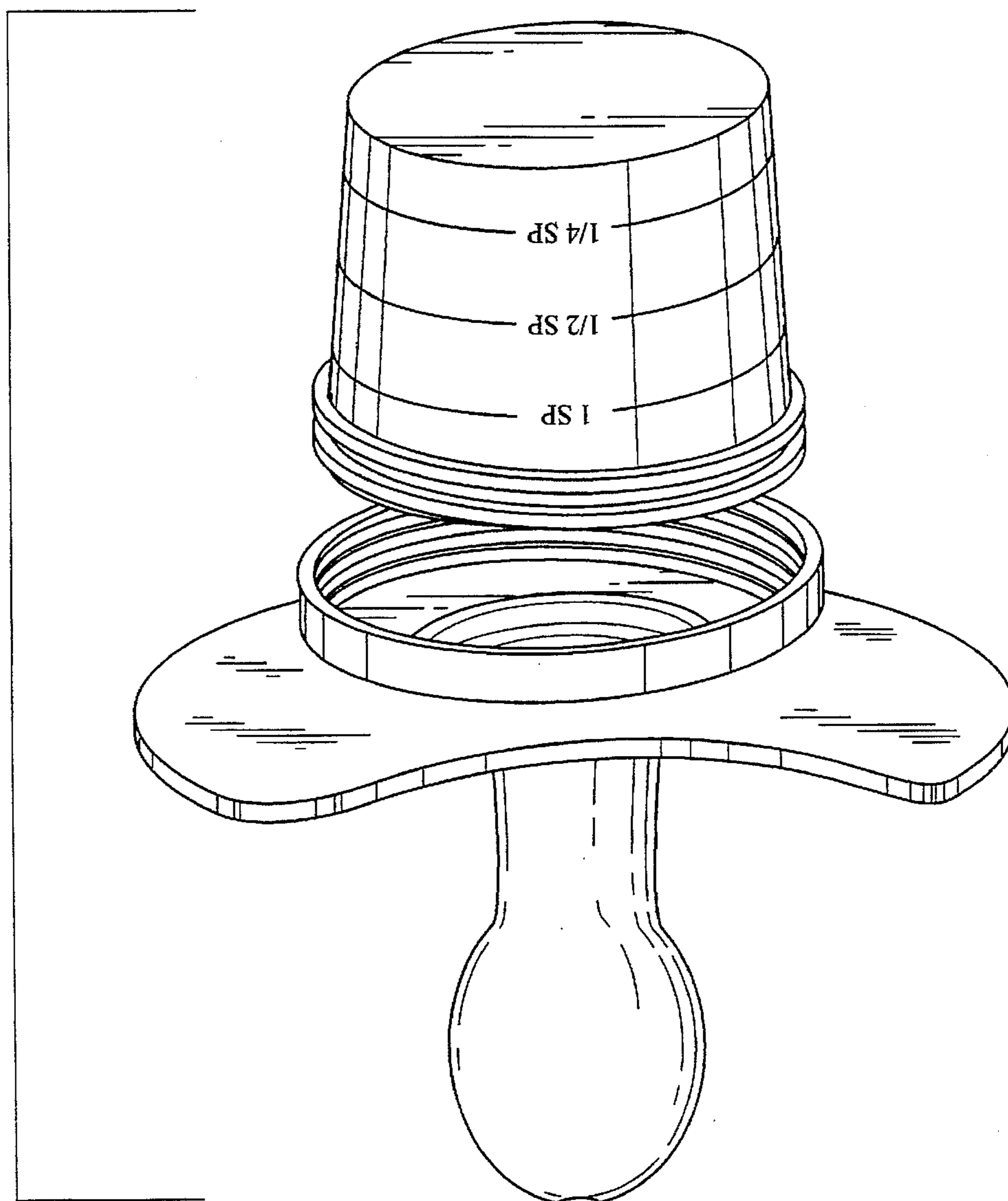
FIG. 1 is a front perspective view of a medicine dispensing pacifier showing my new design;
FIG. 2 is a rear view thereof;
FIG. 3 is a side view thereof, the opposite side being a mirror image thereof;
FIG. 4 is a top view thereof; and,
FIG. 5 is a bottom view thereof.

[56] References Cited

U.S. PATENT DOCUMENTS

- D. 335,187 4/1993 Stege D24/194
- D. 338,732 8/1993 Maradey-Collazo D24/194

1 Claim, 3 Drawing Sheets



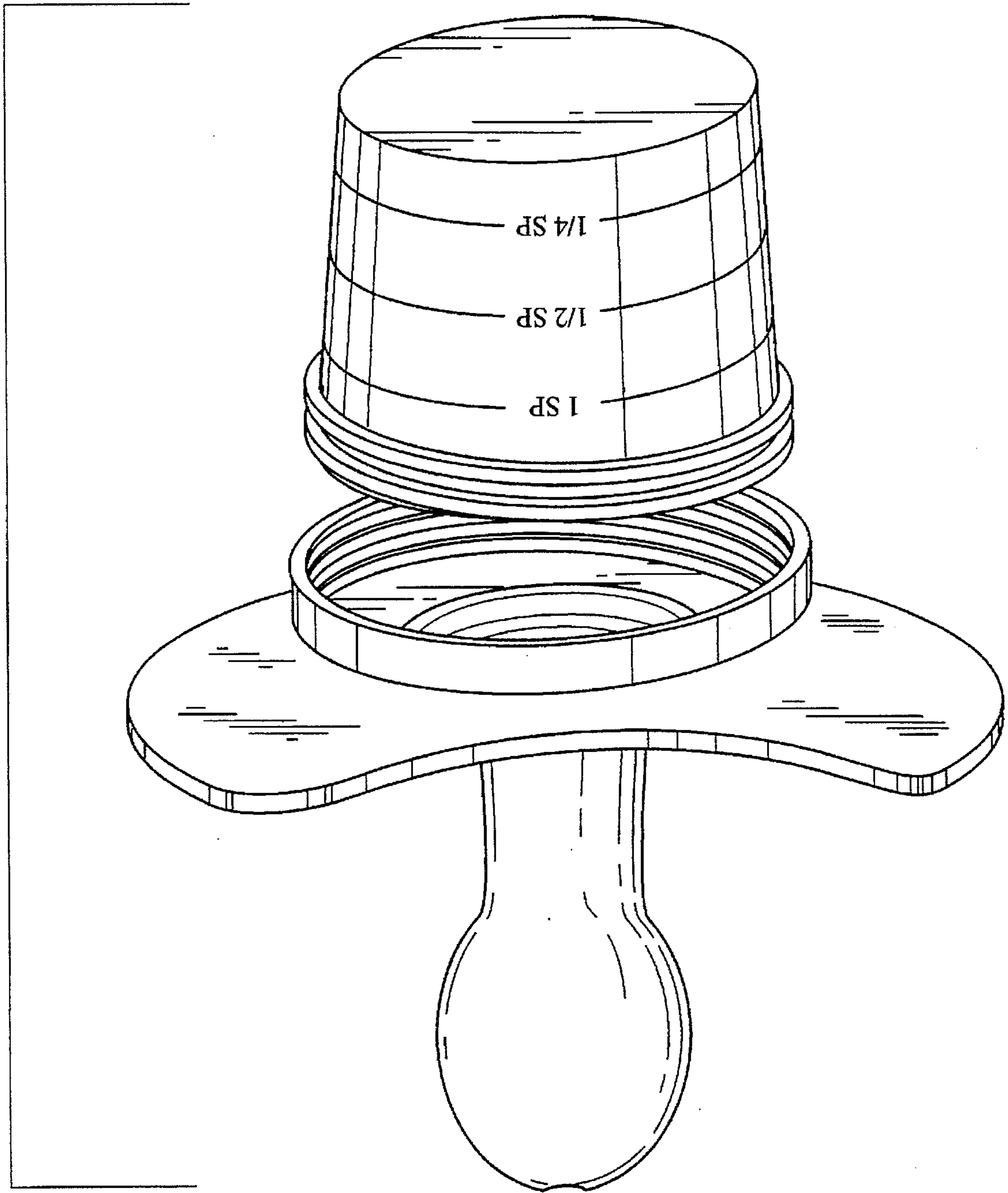


FIG. 1

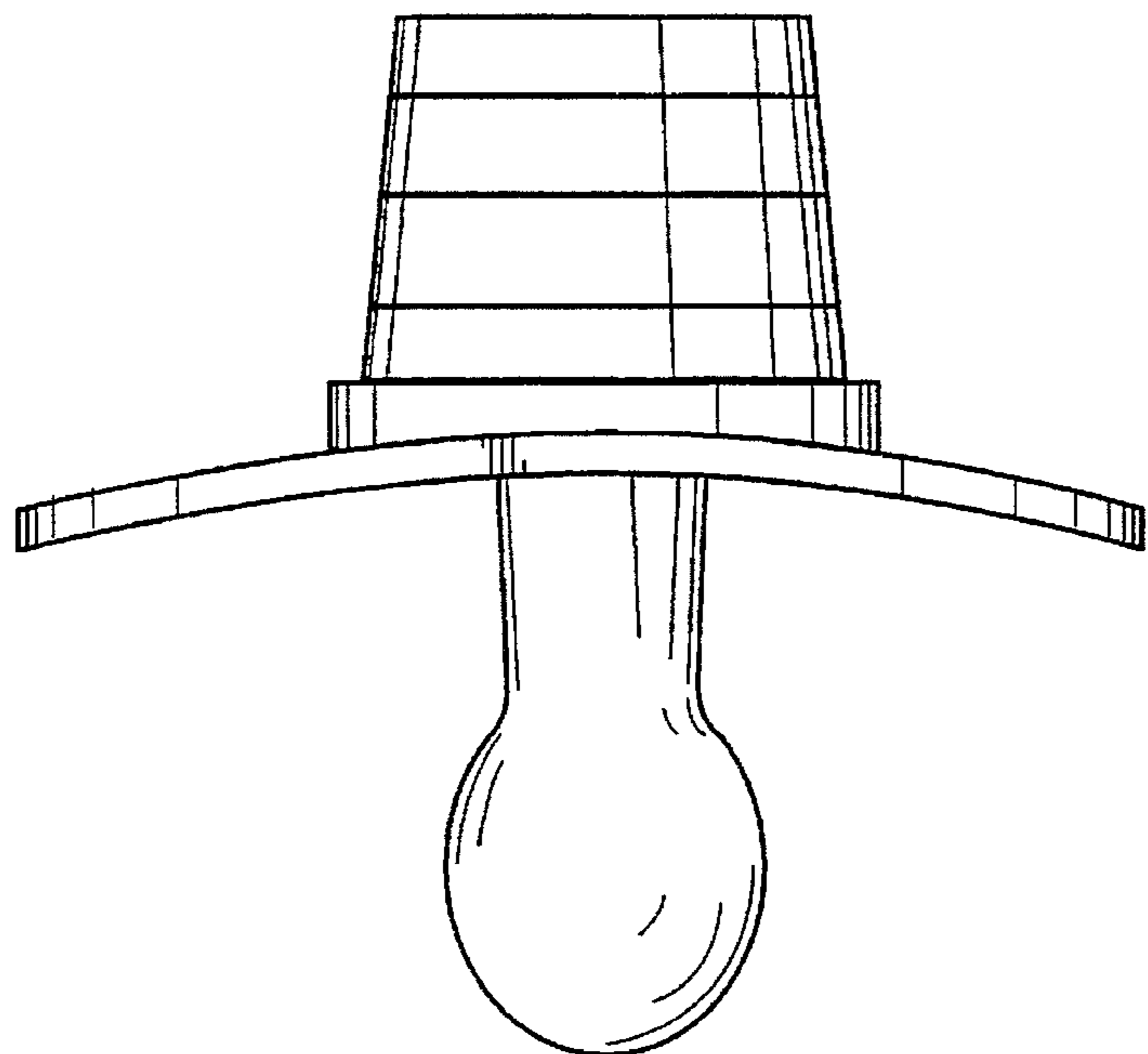
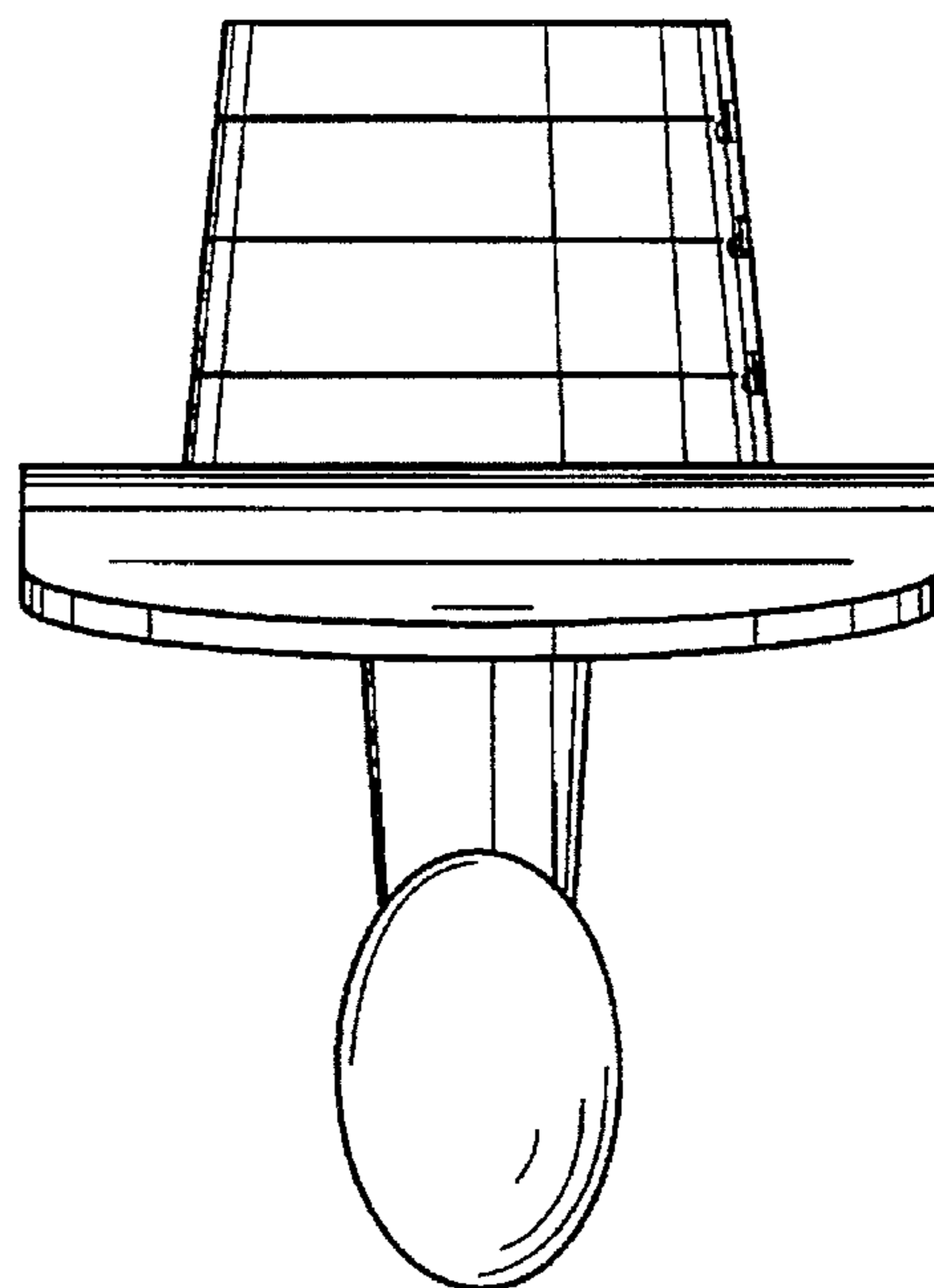


FIG. 2

FIG. 3



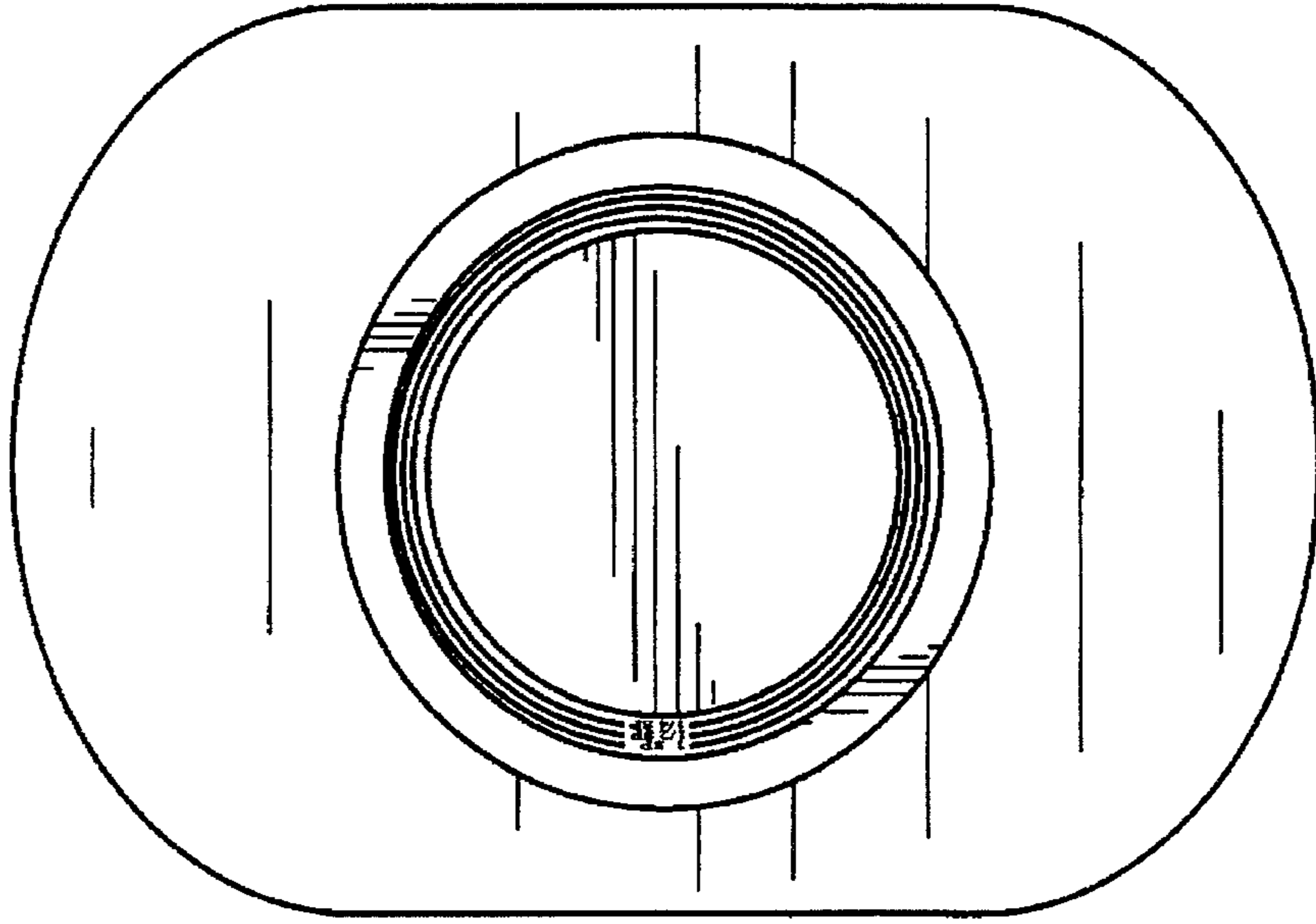


FIG. 4

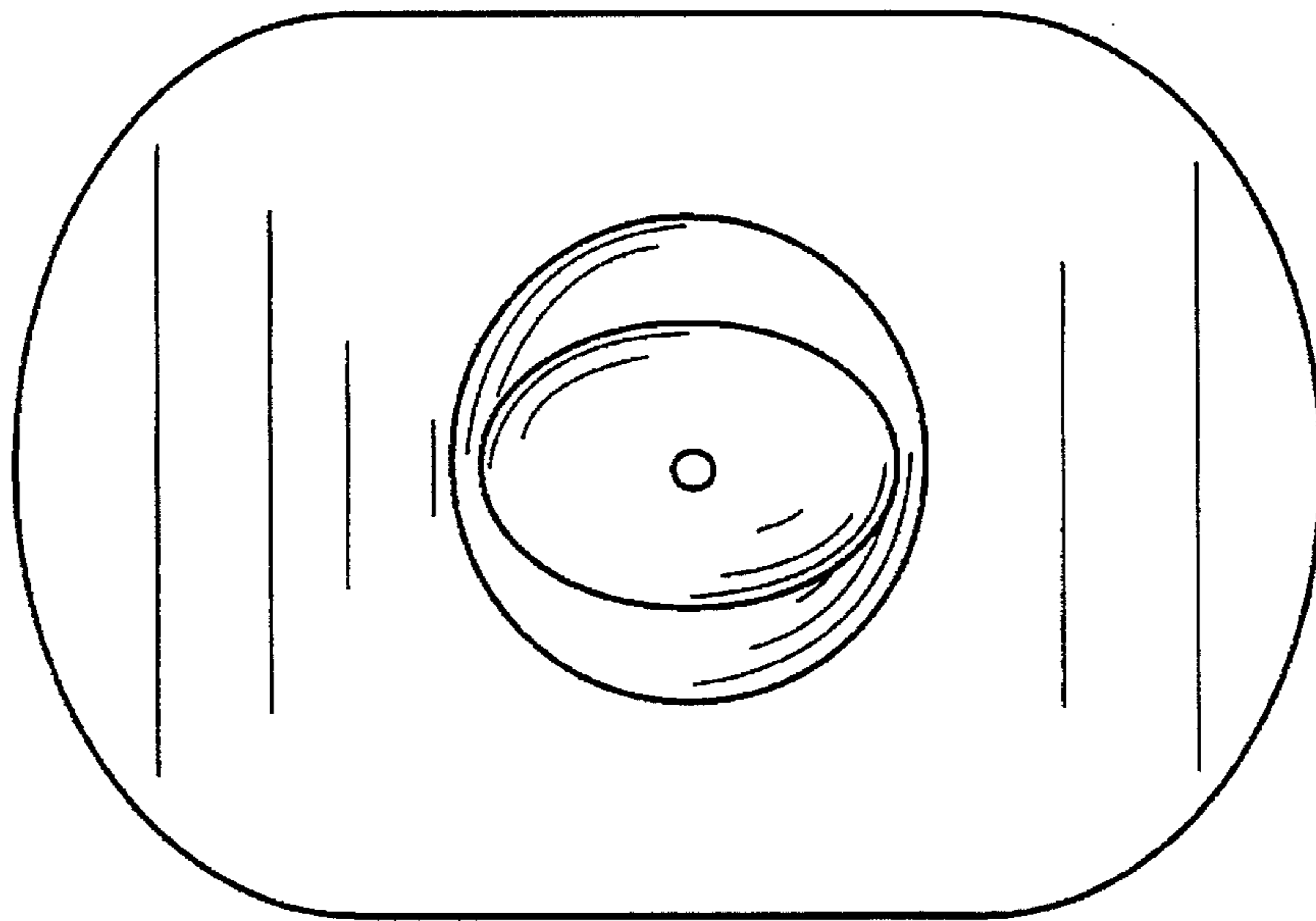


FIG. 5