



US00D380269S

# United States Patent [19]

[11] Patent Number: **Des. 380,269**

Mendes

[45] Date of Patent: **\*\*Jun. 24, 1997**

[54] **PACIFIER WITH LOCATE SOUND DETECTOR AND TONE RESPONDER**

*Primary Examiner*—Stella Reid  
*Attorney, Agent, or Firm*—John D. Gugliotta

[76] Inventor: **Louis Joseph Mendes**, 3123 W. 180th Pl., Torrance, Calif. 90504

[57] **CLAIM**

[\*\*] Term: **14 Years**

The ornamental design for a pacifier with locate sound detector and tone responder, as shown and described.

[21] Appl. No.: **25,088**

**DESCRIPTION**

[22] Filed: **Jun. 27, 1994**

FIG. 1 is a front right perspective view of the pacifier with locate sound detector and tone responder showing my new design;

[51] LOC (6) Cl. .... **24-04**

[52] U.S. Cl. .... **D24/194**

[58] Field of Search ..... D24/194, 193;  
606/234, 235, 236

FIG. 2 is a left rear perspective view thereof;

FIG. 3 is a left side elevation view thereof;

FIG. 4 is a top plan view thereof;

FIG. 5 is a front elevation view thereof;

FIG. 6 is a rear elevation view thereof; and,

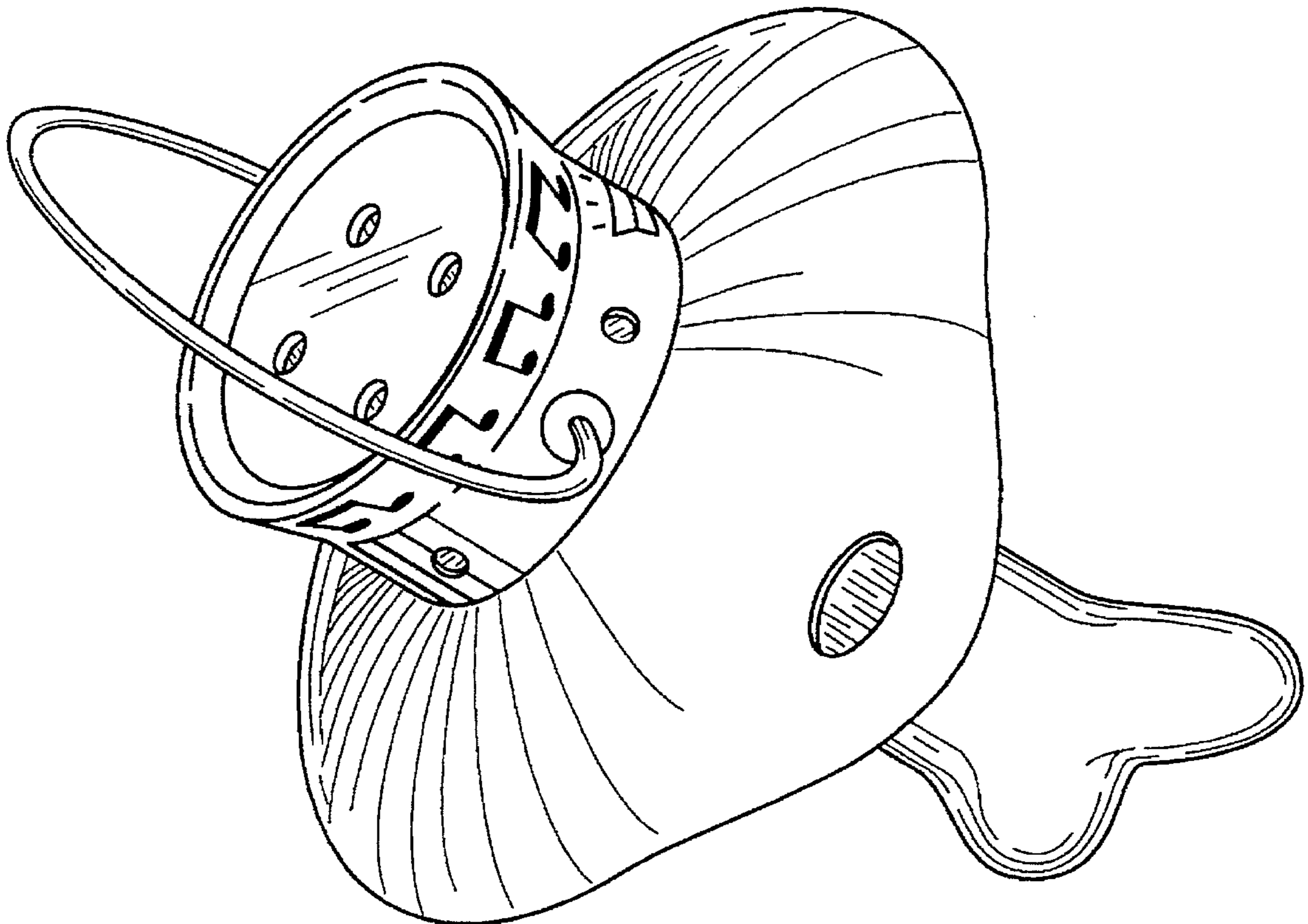
FIG. 7 is a front right perspective view of a second embodiment of the pacifier with locate sound detector and tone responder; the only difference being the decorative details shown in FIGS. 1-4 are omitted from the surface.

[56] **References Cited**

**U.S. PATENT DOCUMENTS**

4,554,919	11/1985	Hubert	606/234
4,856,519	8/1989	Teves	606/234
5,133,740	7/1992	Kussick	D24/194 X

**1 Claim, 4 Drawing Sheets**



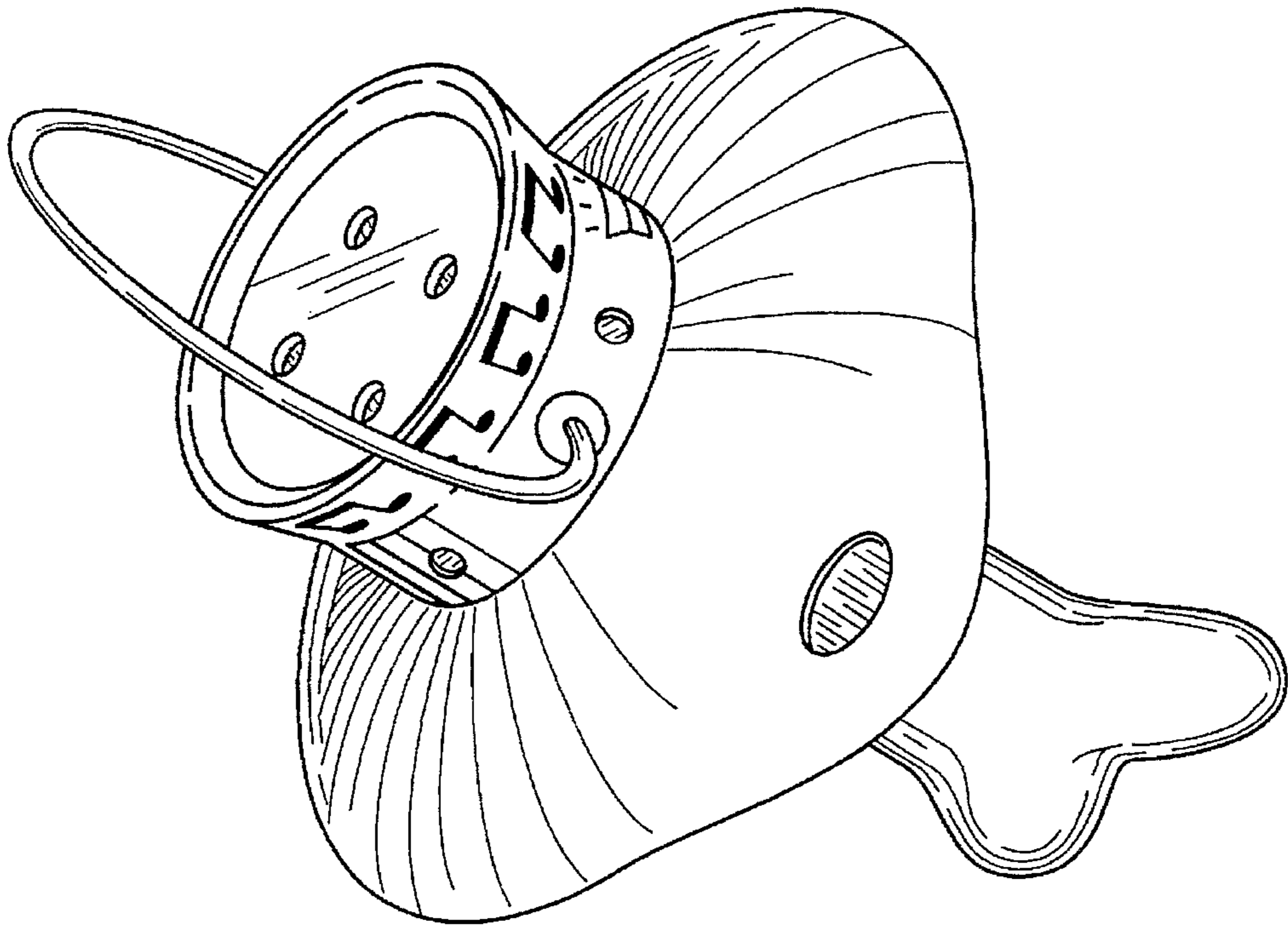


Fig. 1

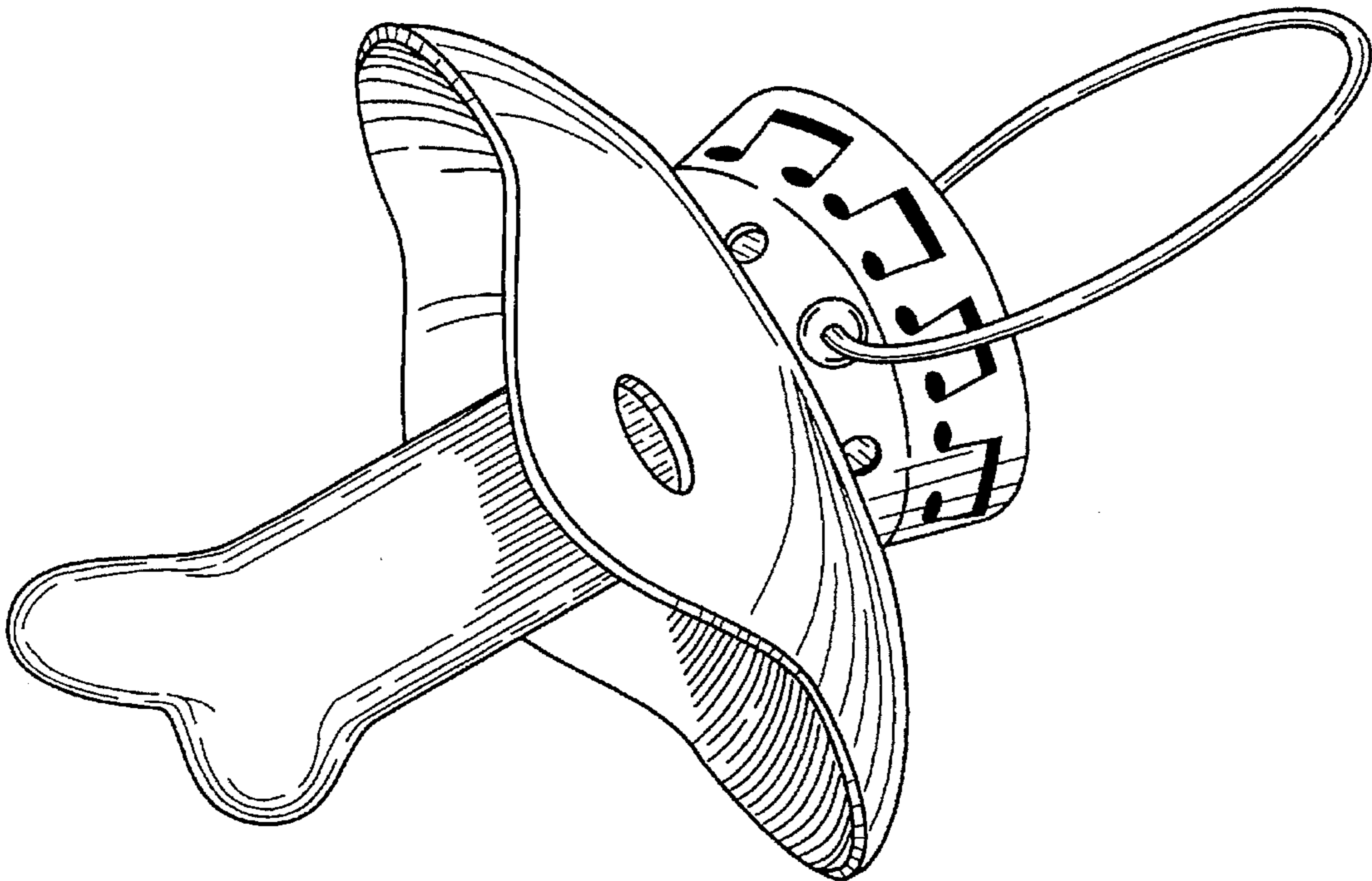


Fig. 2

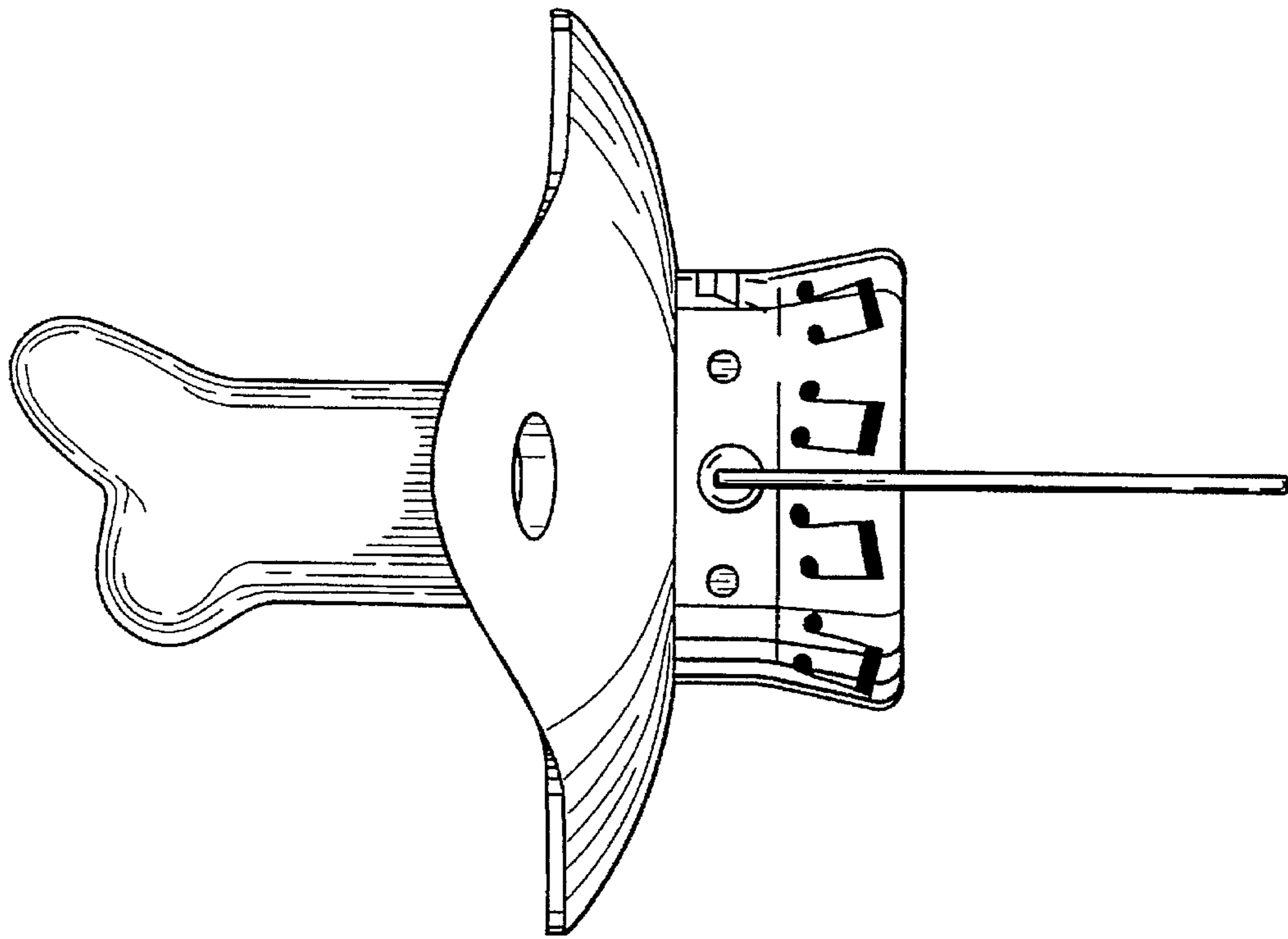


Fig. 3

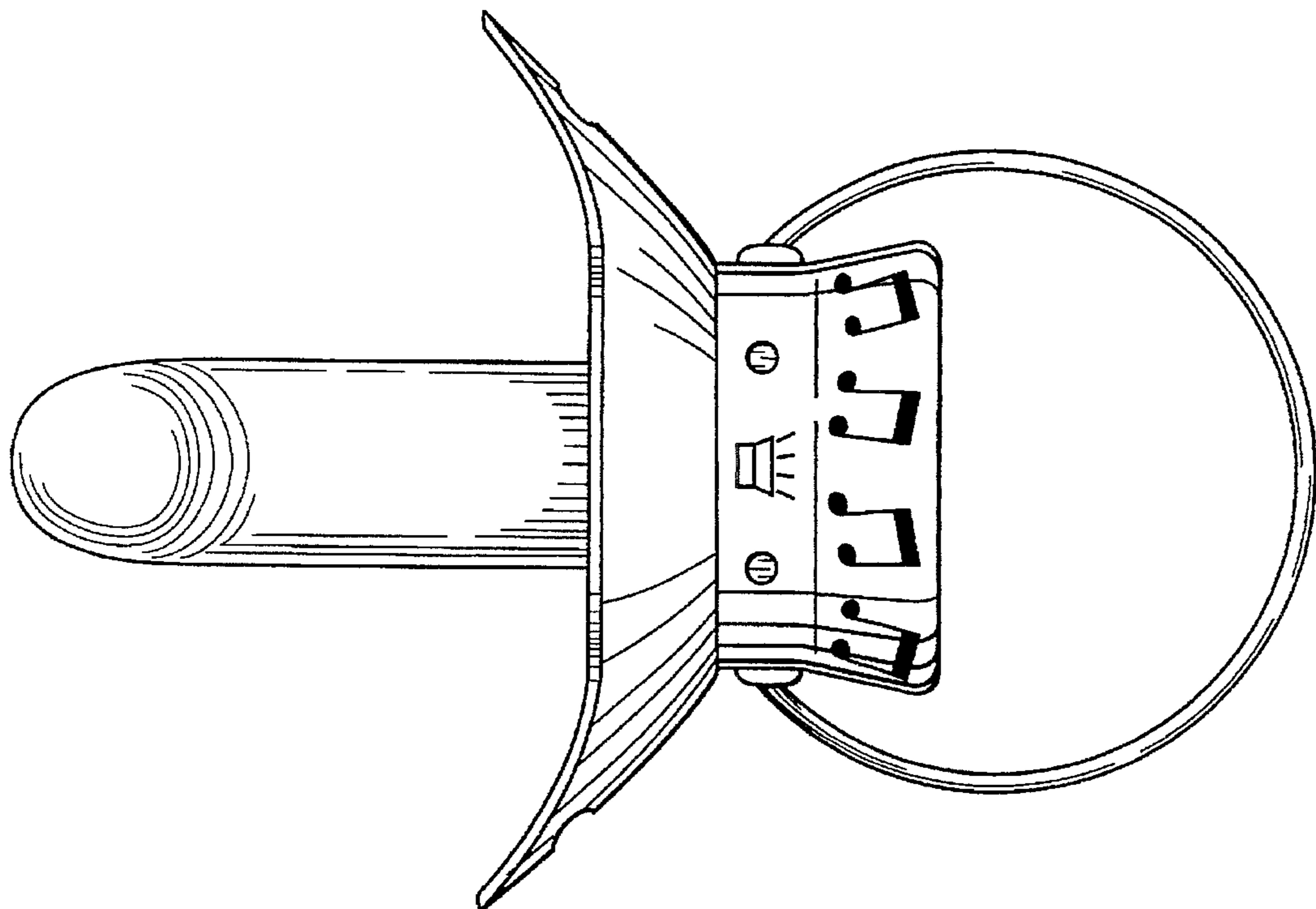


Fig. 4



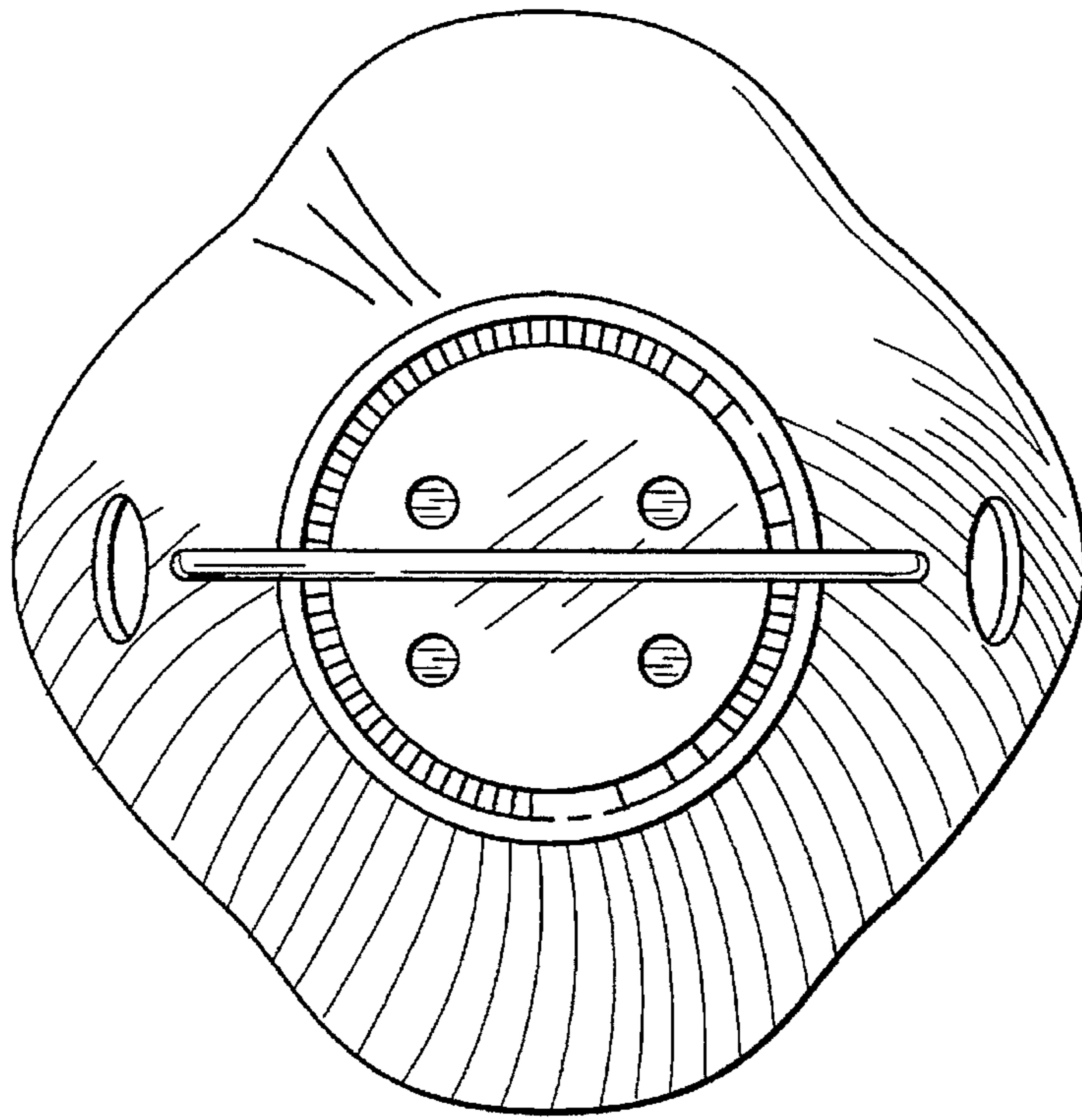


Fig. 5

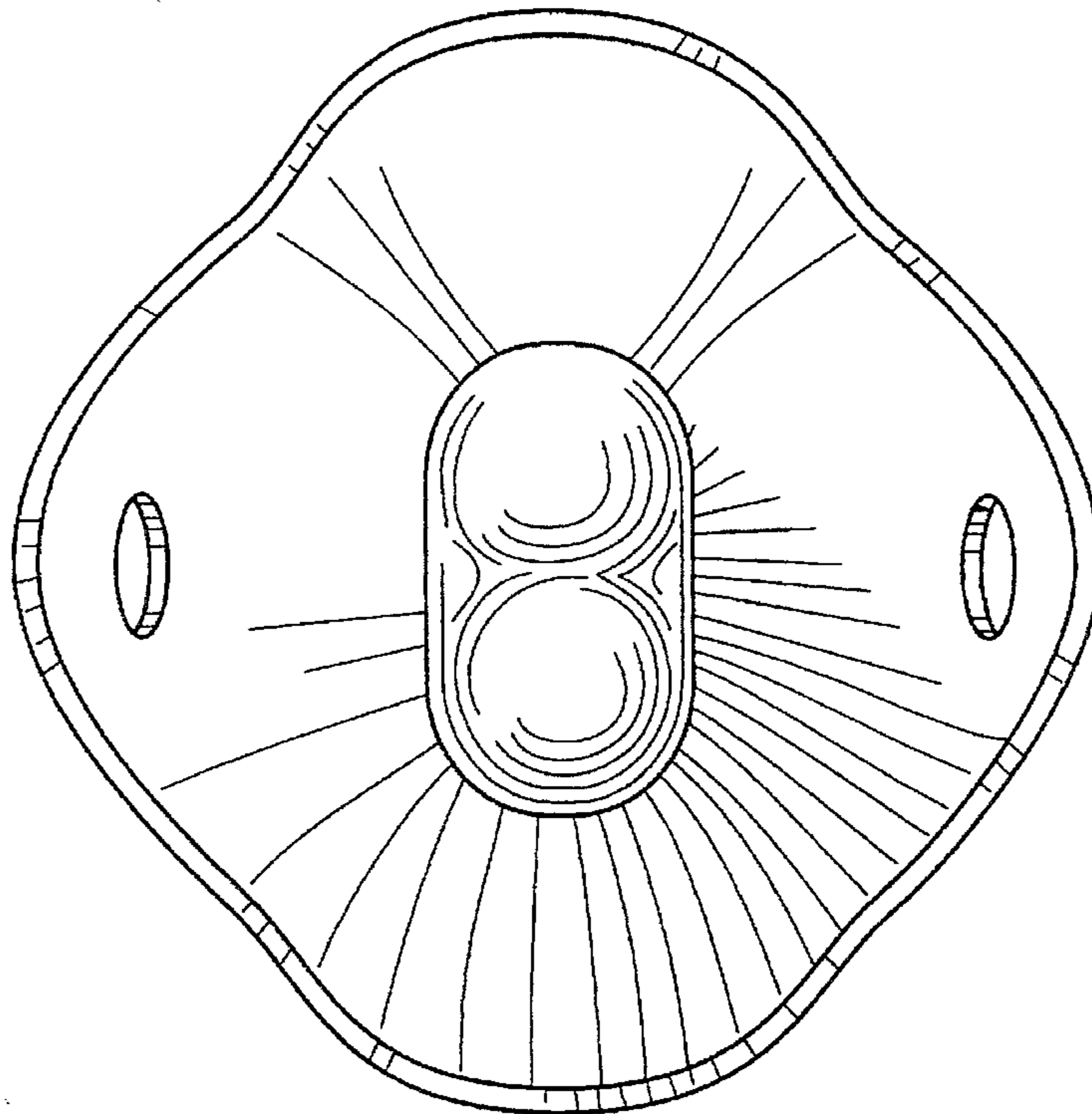


Fig. 6

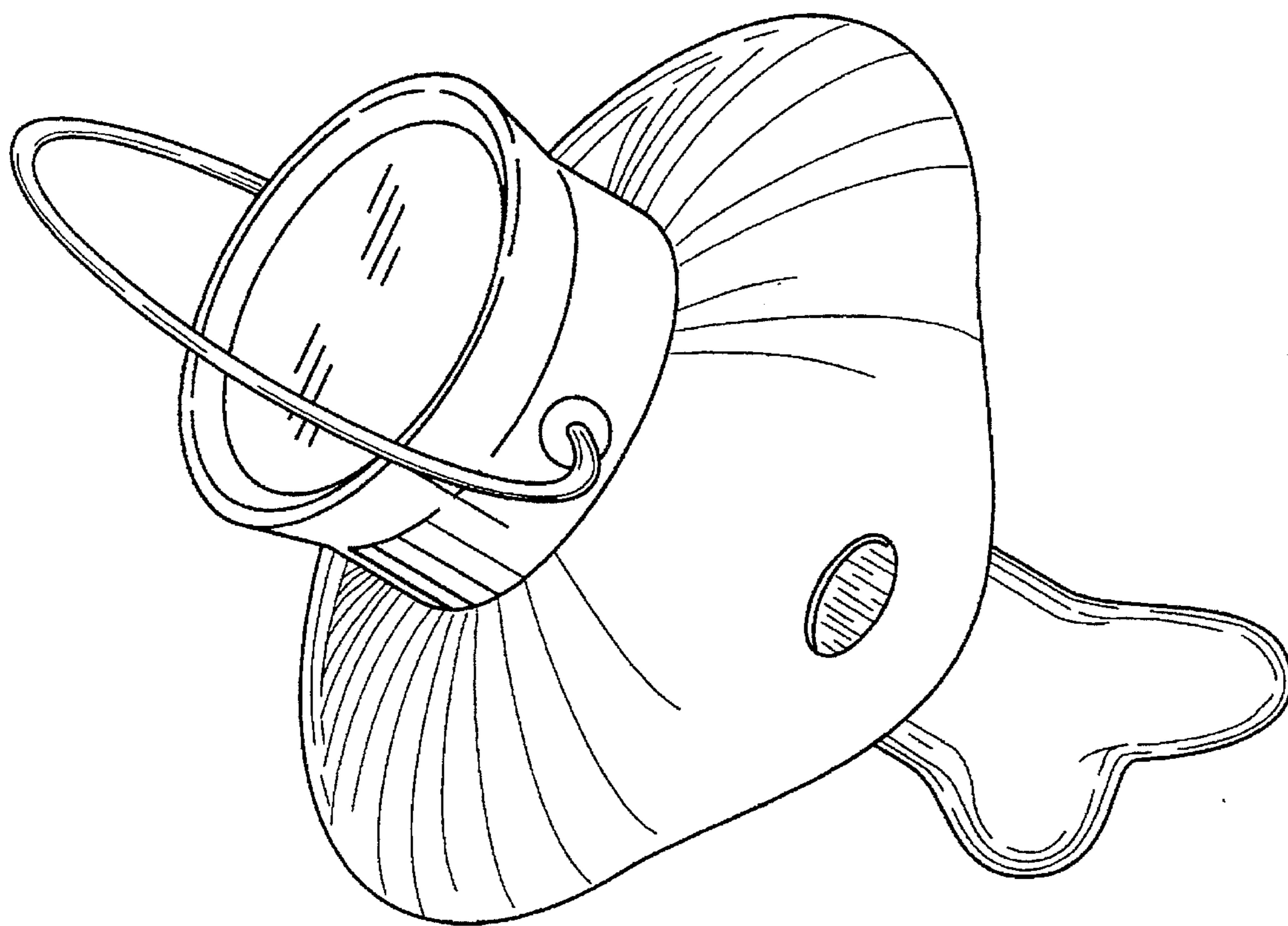


Fig. 7