



US00D380262S

United States Patent [19]

Van Funderburk et al.

[11] Patent Number: **Des. 380,262**

[45] Date of Patent: ****Jun. 24, 1997**

[54] QUICK DISCONNECT COUPLING

[75] Inventors: **Jeffery Van Funderburk**, Granada Hills; **Deborah C. McIntyre**, Agoura, both of Calif.

[73] Assignee: **MiniMed Inc.**, Sylmar, Calif.

[**] Term: **14 Years**

[21] Appl. No.: **40,732**

[22] Filed: **Jun. 26, 1995**

[51] LOC (6) Cl. **24-02**

[52] U.S. Cl. **D24/129; D23/262**

[58] Field of Search **D24/129; D23/259, D23/262, 264, 269; 604/283, 905, 249, 256, 326, 411; 251/308, 149.1, 149.3**

[56] References Cited

U.S. PATENT DOCUMENTS

- D. 357,307 4/1995 Ramacier, Jr. et al. D24/129 X
- 3,512,524 5/1970 Drewe .
- 3,986,508 10/1976 Barrington .
- 4,294,249 10/1981 Sheehan et al. .
- 4,508,367 4/1985 Oreopoulos et al. .
- 4,511,359 4/1985 Vaillancourt .
- 4,752,292 6/1988 Lopez et al. .
- 4,755,173 7/1988 Konopka et al. .
- 4,946,445 8/1990 Lynn .
- 4,950,260 8/1990 Bonaldo .
- 4,964,855 10/1990 Todd et al. .
- 4,981,469 1/1991 Whitehouse et al. .
- 4,998,713 3/1991 Vaillancourt .
- 4,998,925 3/1991 Al-Sioufi et al. .
- 5,067,950 11/1991 Broadnax, Jr. .
- 5,088,984 2/1992 Fields .
- 5,120,324 6/1992 Sancoff .
- 5,122,123 6/1992 Vaillancourt .
- 5,122,129 6/1992 Olson et al. .
- 5,139,483 8/1992 Ryan .
- 5,171,214 12/1992 Kolber et al. .

- 5,176,662 1/1993 Bartholomew et al. .
- 5,188,620 2/1993 Jepson et al. 604/283
- 5,199,947 4/1993 Lopez et al. .
- 5,201,717 4/1993 Wyatt et al. .
- 5,281,206 1/1994 Lopez .
- 5,292,308 3/1994 Ryan .
- 5,507,535 4/1996 McKamey 604/283 X
- 5,545,152 8/1996 Funderburk et al. 604/283

FOREIGN PATENT DOCUMENTS

- 0 615 768 A2 1/1994 European Pat. Off. .
- WO94/22520 10/1994 WIPO .

Primary Examiner—Louis S. Zarfes

Assistant Examiner—I. Simmons

Attorney, Agent, or Firm—Kelly Bauersfeld & Lowry

[57] CLAIM

The ornamental design for a quick disconnect coupling, as shown and described.

DESCRIPTION

FIG. 1 is a perspective view of a quick disconnect coupling showing our new design in assembled condition, the broken line showing of the infusion tubing is for illustrated purposes only and forms no part of the claimed design; FIG. 2 is a front side elevation view thereof, the rear side elevation being a mirror image of the front side as shown; FIG. 3 is a top plan view thereof, the bottom plan view being a mirror image of the top plan view as shown; FIG. 4 is a left end elevation view thereof; FIG. 5 is a right end elevation view thereof; FIG. 6 is a perspective view thereof, with the male and female components shown in separated condition; FIG. 7 is an inboard end elevation view of the male component of the quick disconnect coupling, taken along the line 7—7 of FIG. 6; and, FIG. 8 is an inboard end elevation view of the female component, taken along the line 8—8 of FIG. 6.

1 Claim, 2 Drawing Sheets

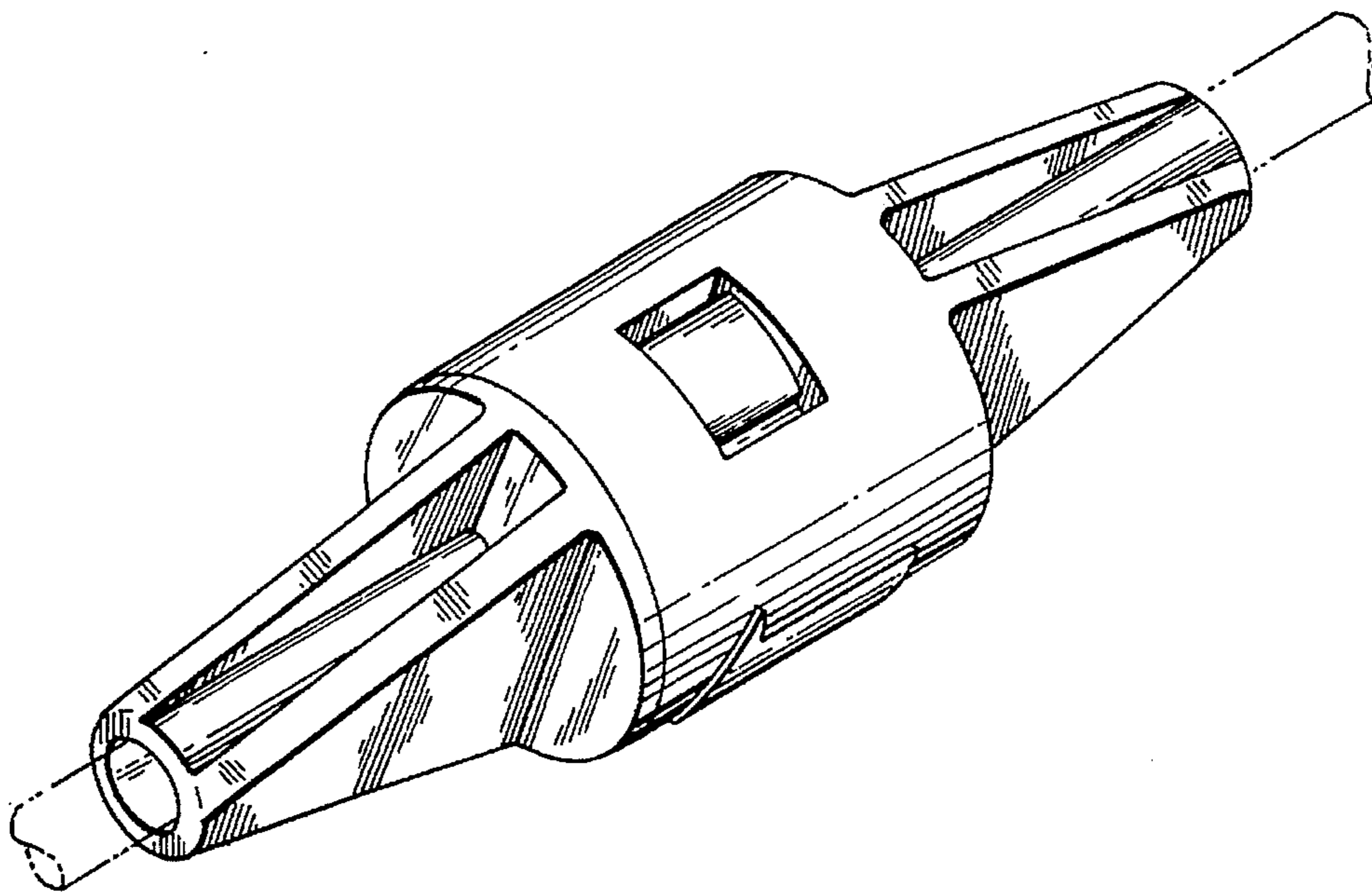


FIG. 1

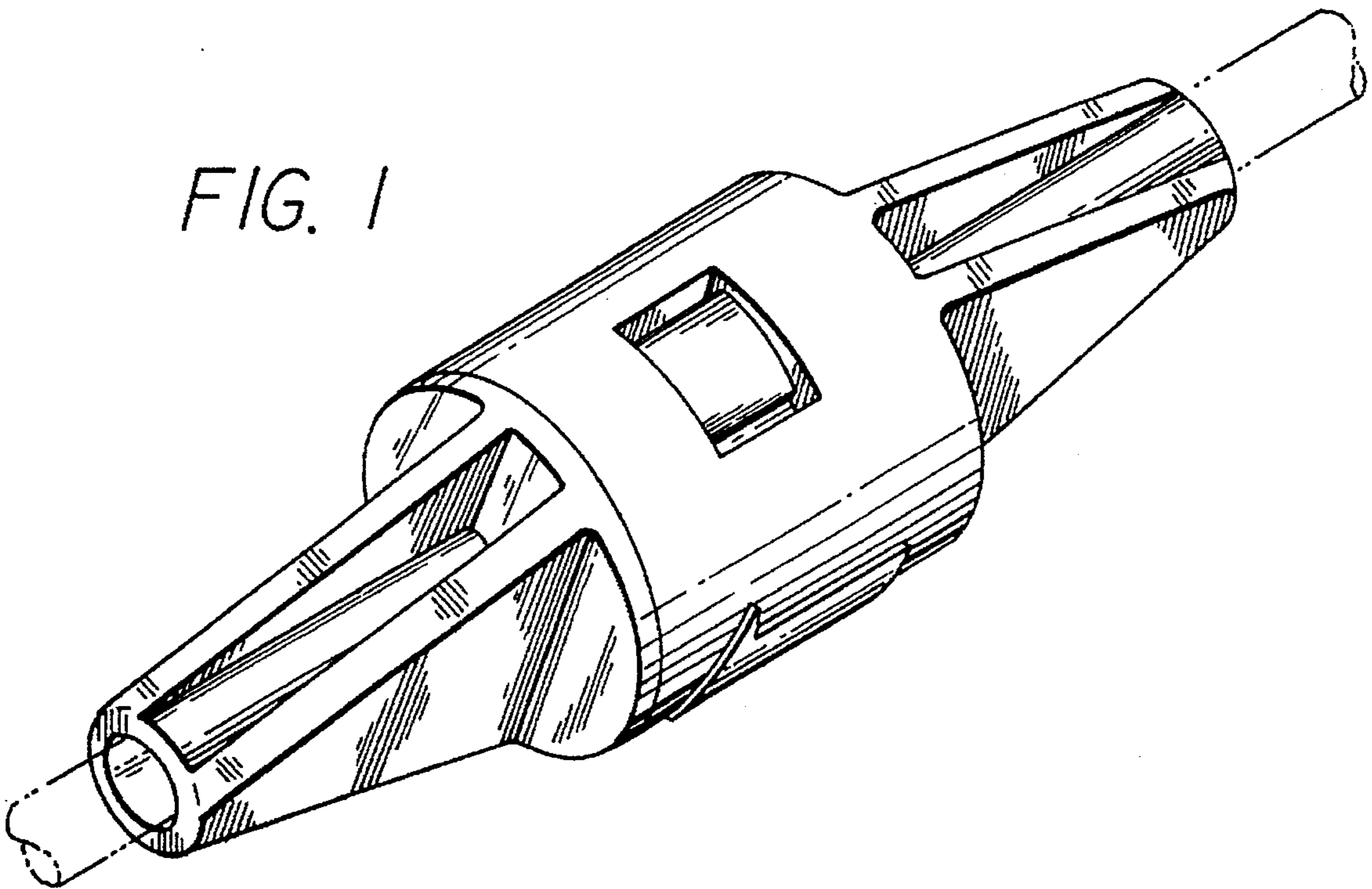


FIG. 2

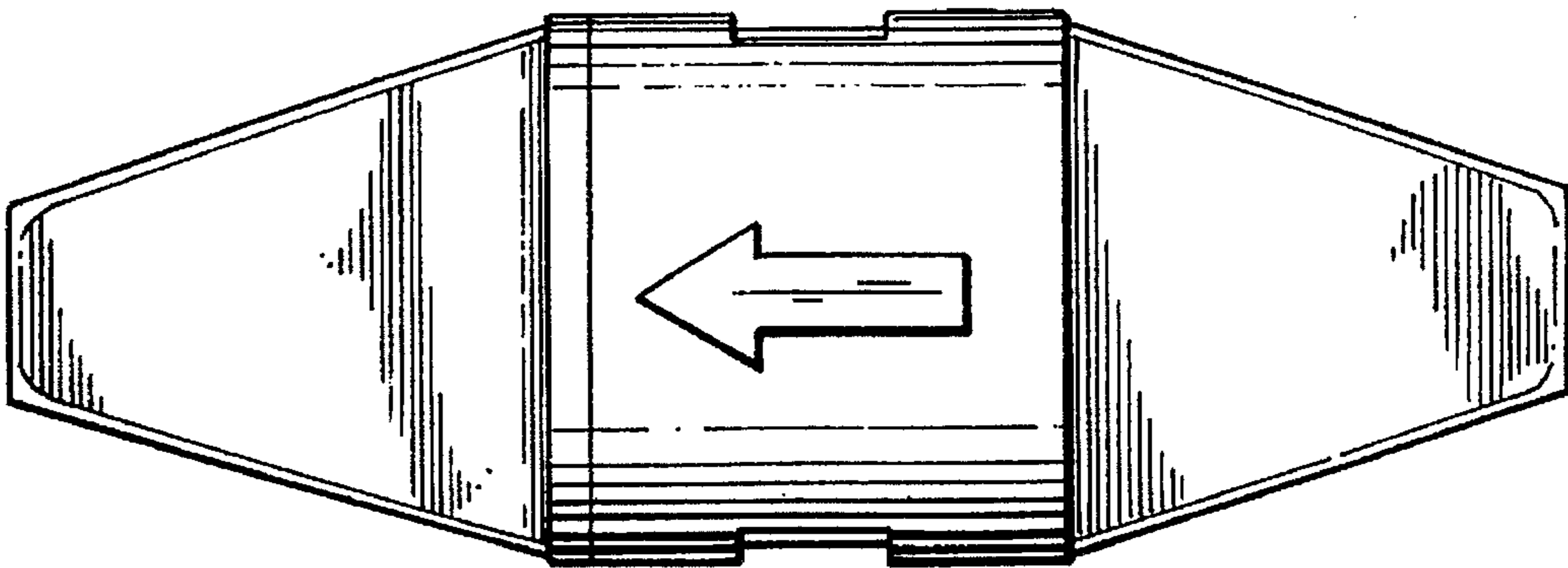
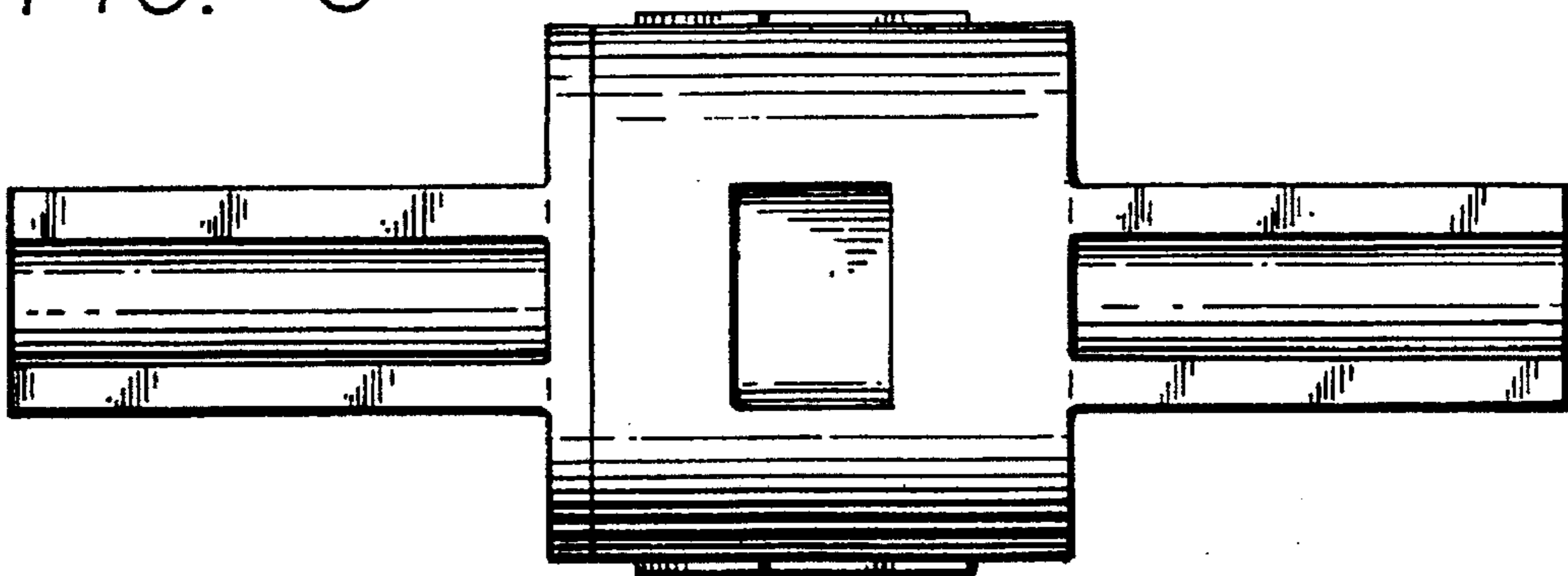


FIG. 3



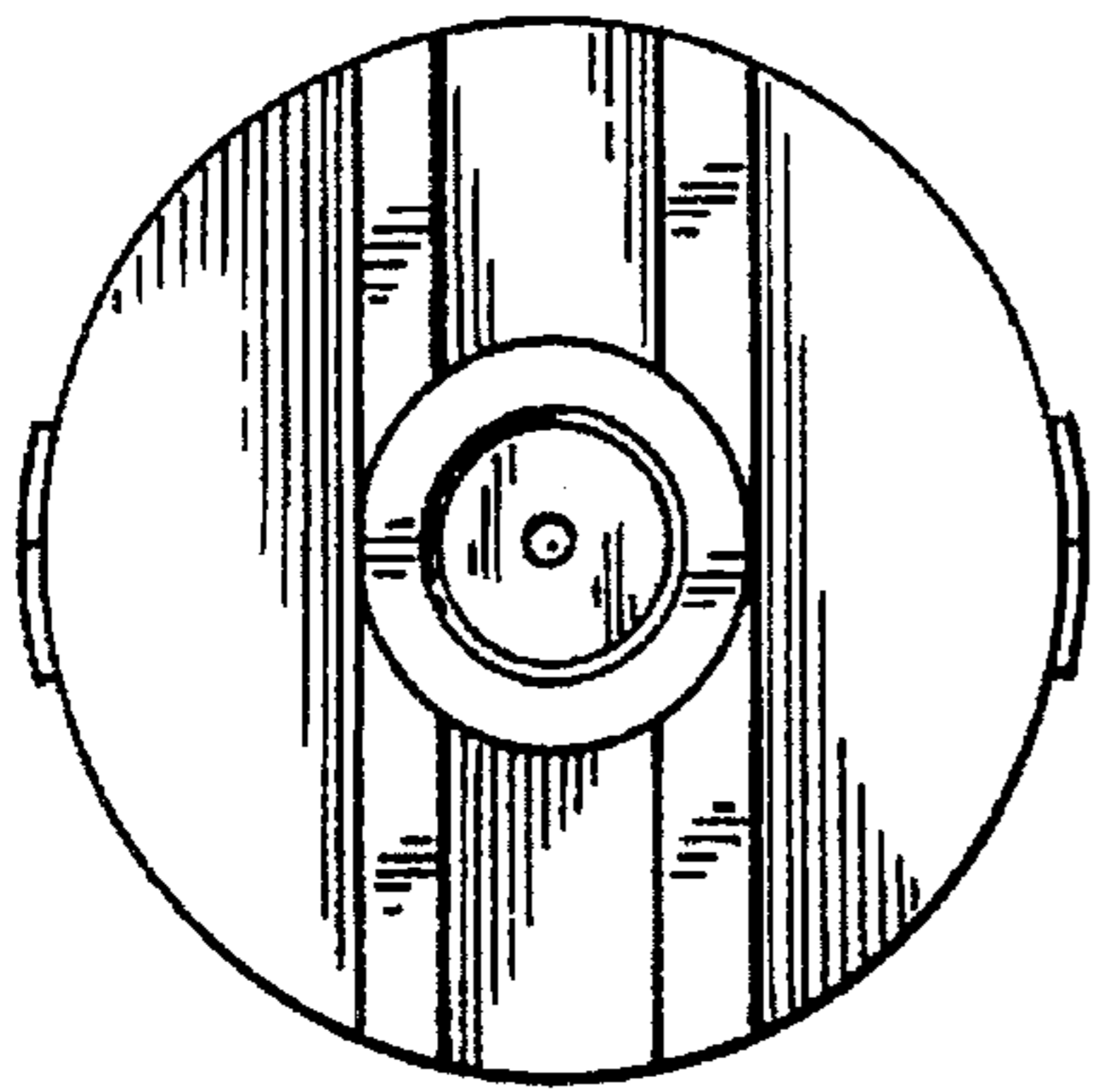


FIG. 4

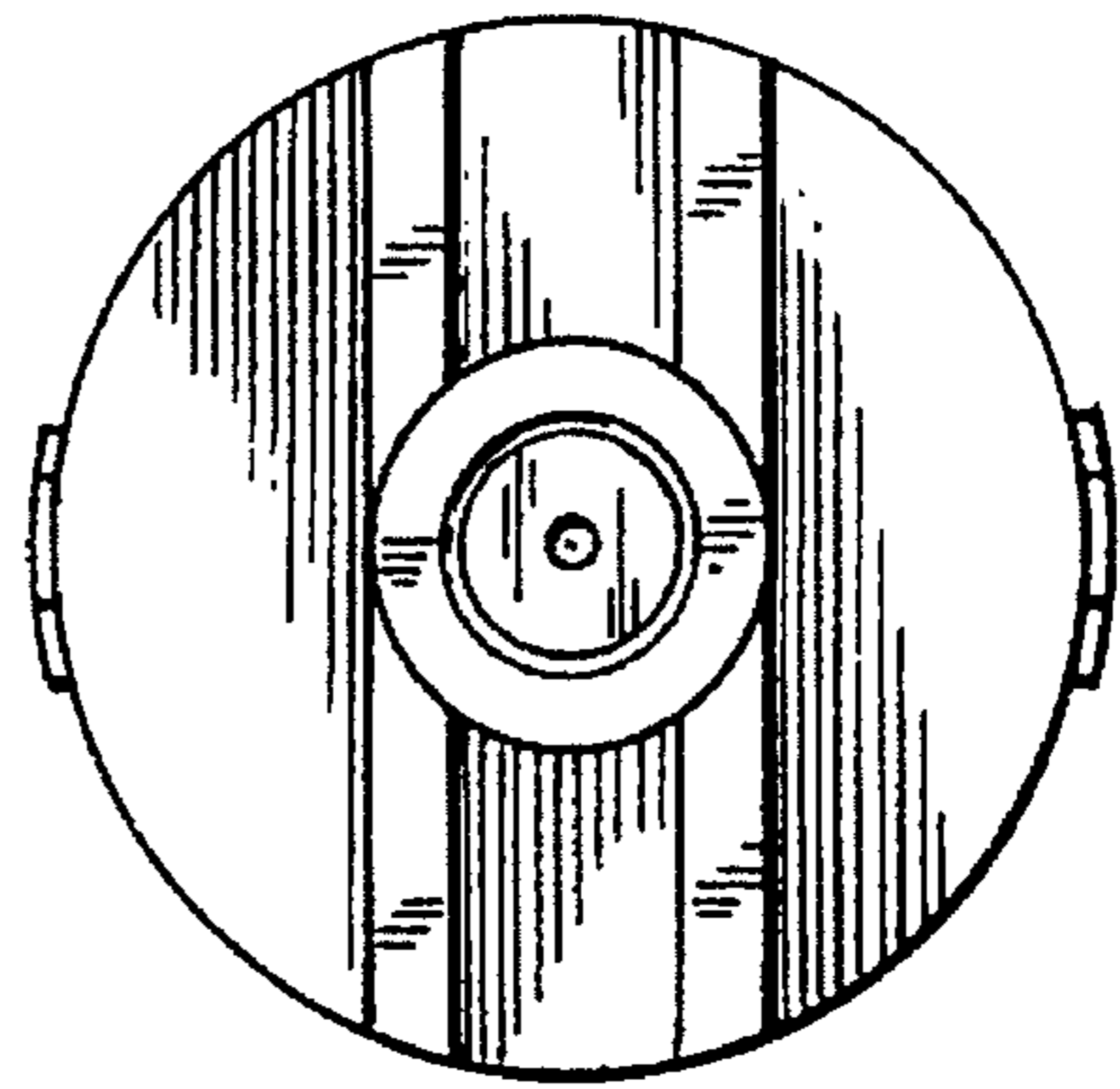


FIG. 5

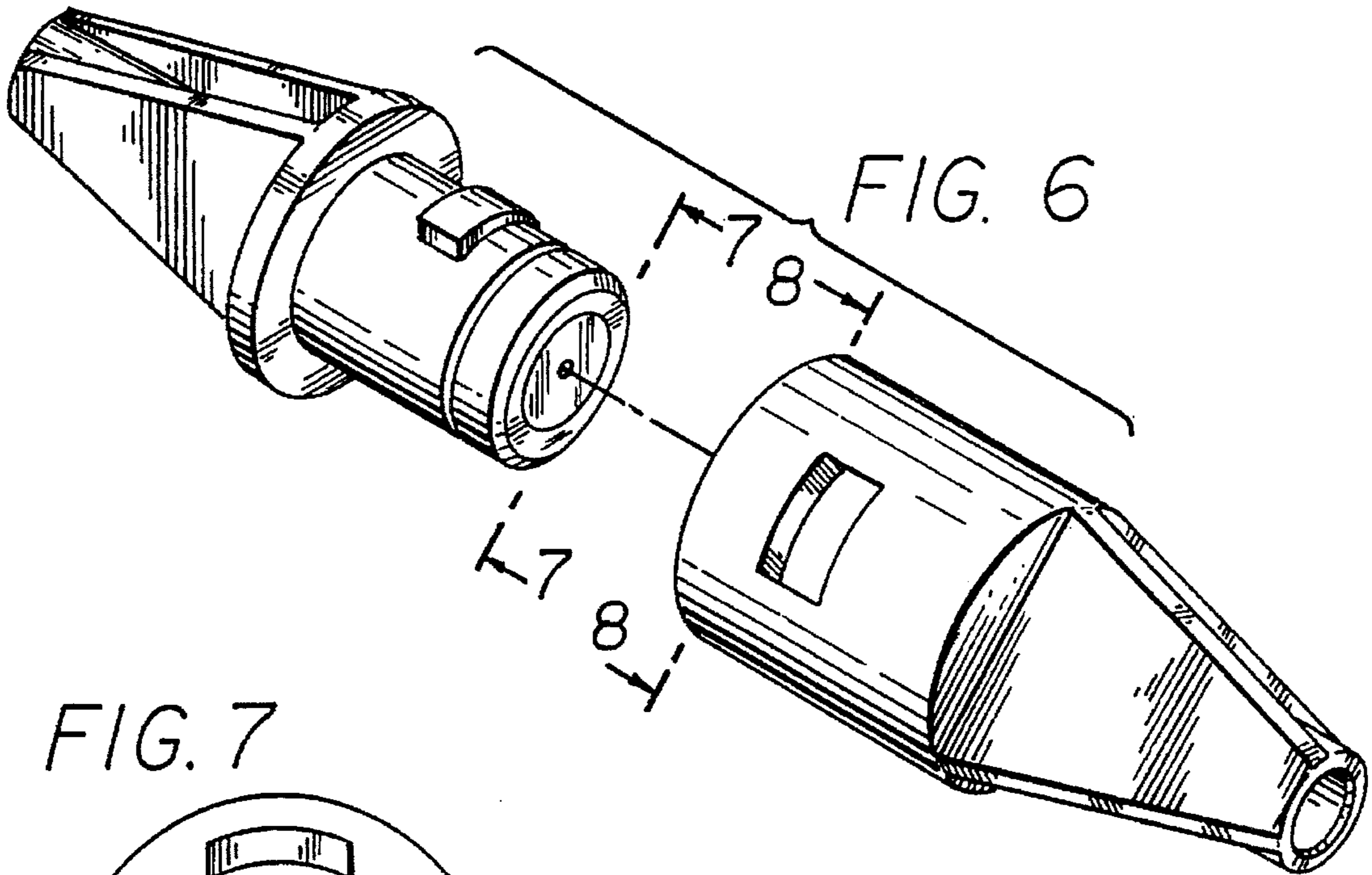


FIG. 6

FIG. 7

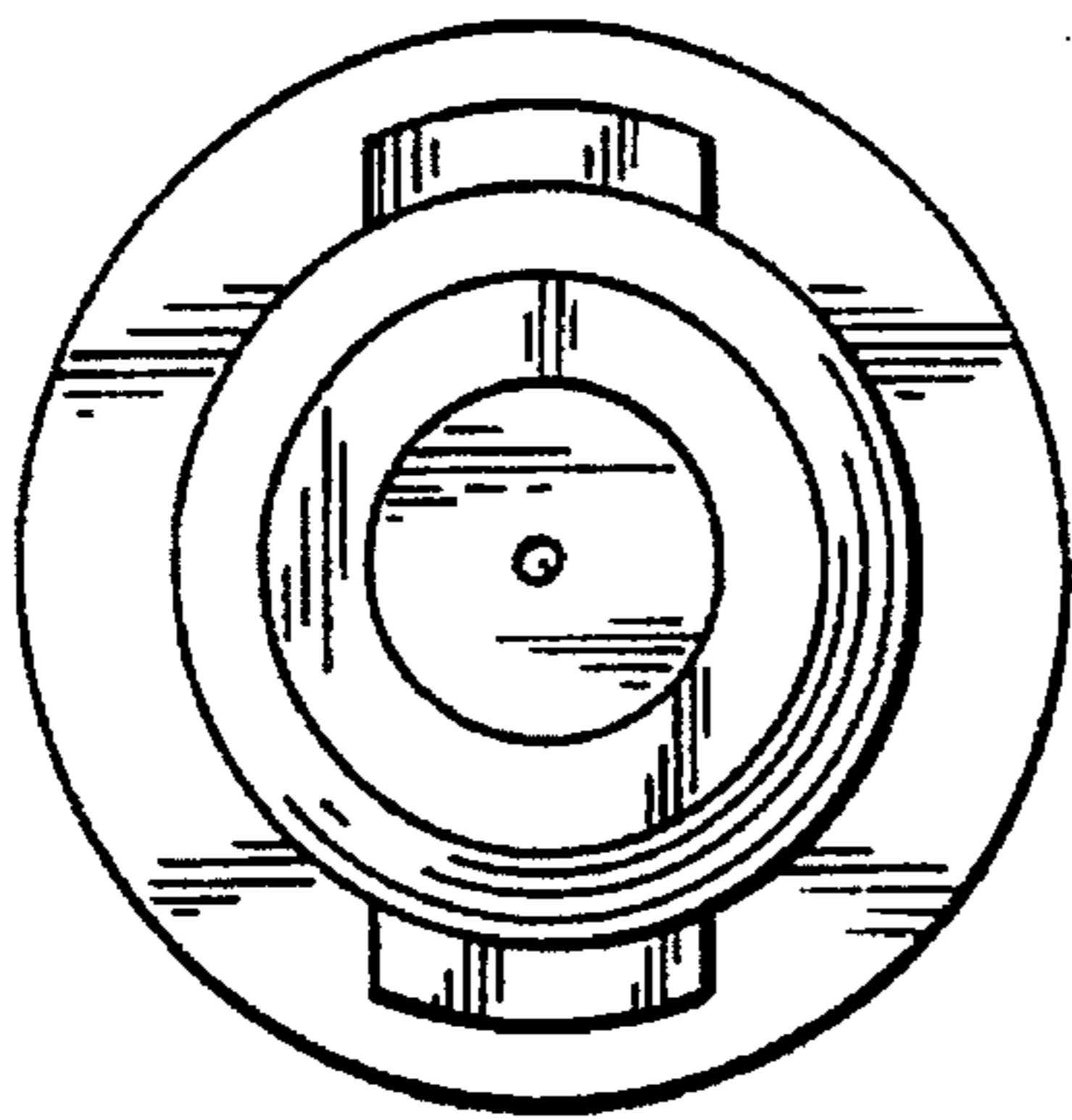


FIG. 8

