



US00D380259S

# United States Patent [19] Artz

[11] Patent Number: **Des. 380,259**

[45] Date of Patent: **\*\*Jun. 24, 1997**

[54] AIR VENT BLOCKING DEVICE

970,838 9/1910 Lane ..... 52/630

[76] Inventor: **Brent Artz**, 201 Milton Ave., West Haven, Conn. 06516

*Primary Examiner*—Lisa P. Lichtenstein  
*Attorney, Agent, or Firm*—Melvin I. Stoltz

[\*\*] Term: **14 Years**

### [57] CLAIM

[21] Appl. No.: **33,906**

The ornamental design for an air vent blocking device, as shown and described.

[22] Filed: **Jan. 23, 1995**

### DESCRIPTION

[51] LOC (6) Cl. .... **23-04**

FIG. 1 is a perspective view of the air vent blocking device showing my new design;

[52] U.S. Cl. .... **D23/393; D23/370**

FIG. 2 is a front plan view thereof;

[58] Field of Search ..... D23/386, 393, D23/370; D9/341, 424, 432; 454/284, 271; 220/507; 52/630; 206/557, 564

FIG. 3 is a rear plan view thereof;

FIG. 4 is a side elevational view thereof; the opposite side being identical in appearance; and,

FIG. 5 is a top plan view thereof, the bottom plan view being identical in appearance.

### [56] References Cited

#### U.S. PATENT DOCUMENTS

33,906 10/1861 Kujawa et al. .... D23/393  
D. 244,539 5/1977 Mulligan ..... D23/393

**1 Claim, 1 Drawing Sheet**

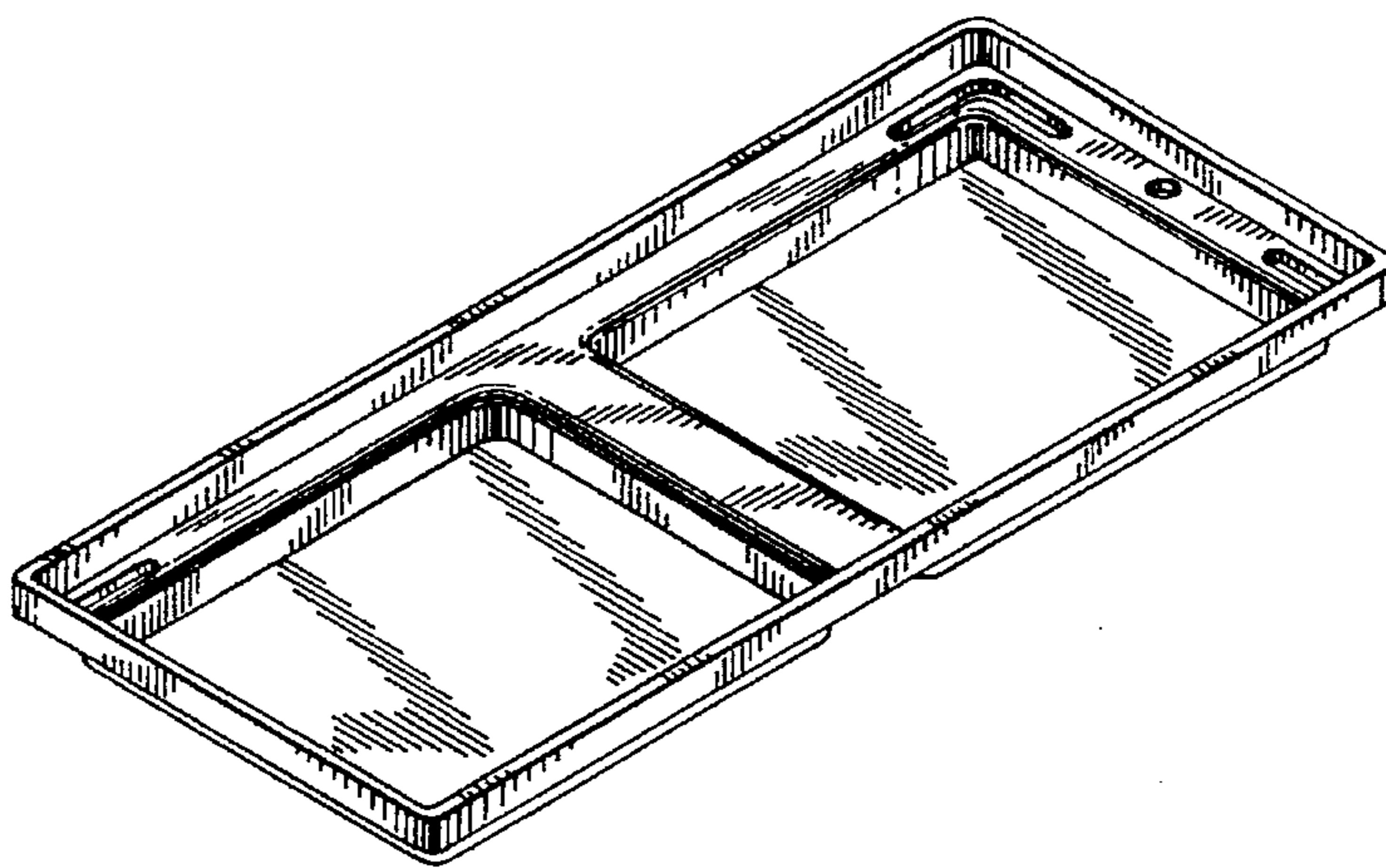
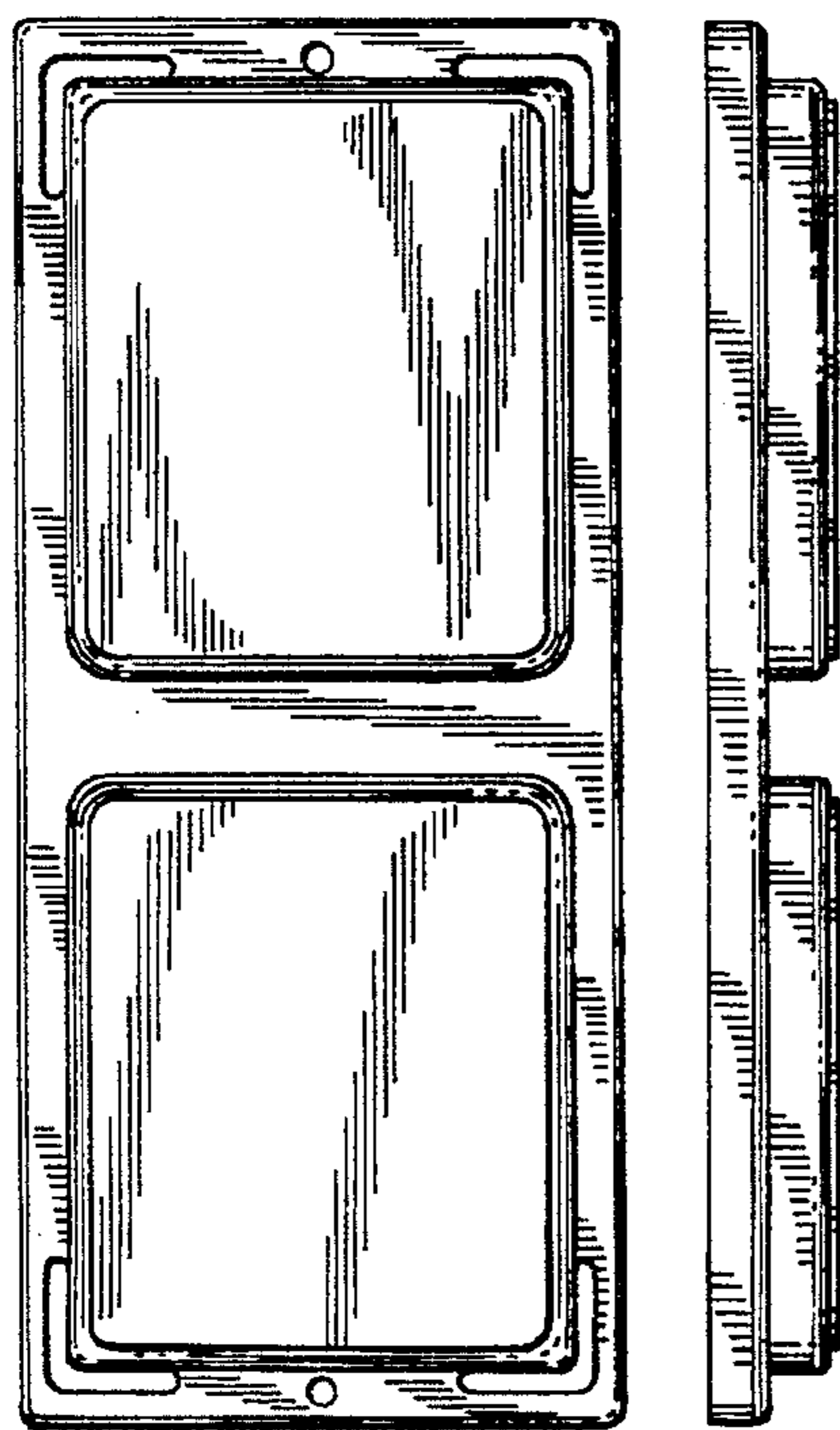


FIG. 1

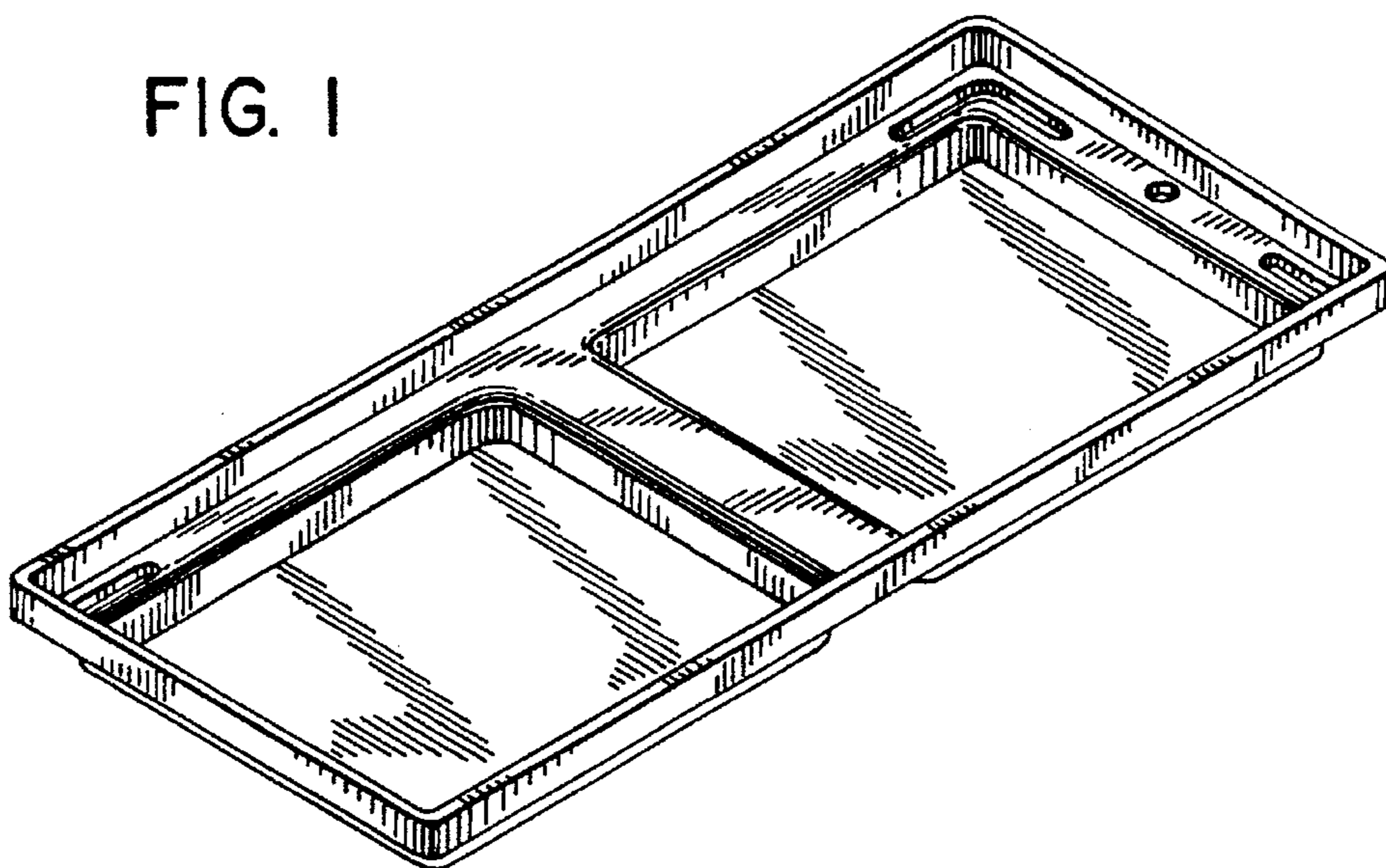


FIG. 5



FIG. 3

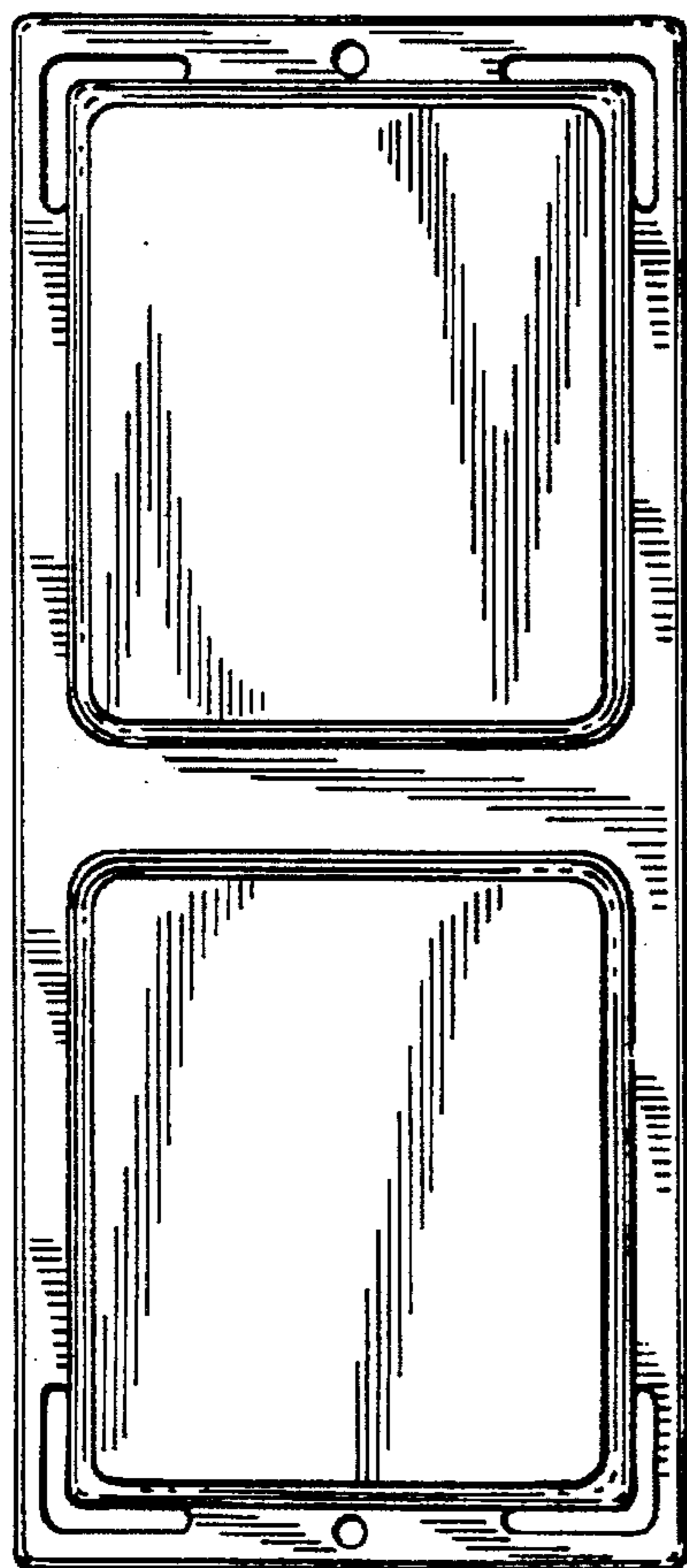


FIG. 2

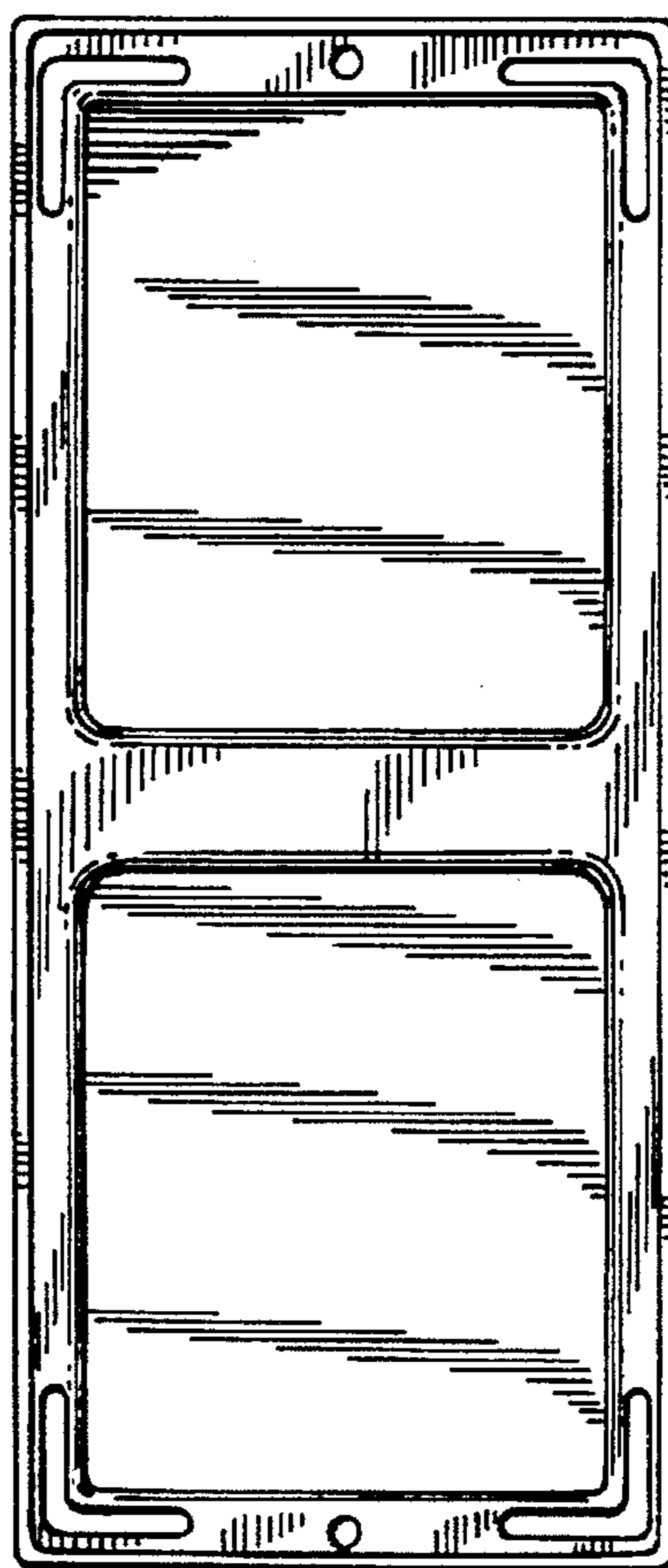


FIG. 4

