



US00D380255S

United States Patent [19]

Aihara et al.

[11] Patent Number: **Des. 380,255**

[45] Date of Patent: ****Jun. 24, 1997**

[54] **AIR CONDITIONER**

4,458,502 7/1984 Adachi et al. 62/DIG. 16

[75] Inventors: **Sanae Aihara; Takaharu Kabashima,**
both of Yokohama, Japan

Primary Examiner—Lisa Lichtenstein
Attorney, Agent, or Firm—Oblon, Spivak, McClelland,
Maier & Neustadt, P.C.

[73] Assignee: **Mitsubishi Denki Kabushiki Kaisha,**
Tokyo, Japan

[57] **CLAIM**

[**] Term: **14 Years**

The ornamental design for an air conditioner, as shown and described.

[21] Appl. No.: **52,665**

DESCRIPTION

[22] Filed: **Apr. 2, 1996**

FIG. 1 is a front elevational view of an air conditioner, showing our new design;

[30] **Foreign Application Priority Data**

FIG. 2 is a rear elevational view thereof;

Oct. 11, 1995 [JP] Japan 7-30331

FIG. 3 is a top plan view thereof;

[51] **LOC (6) Cl.** **23-04**

FIG. 4 is a bottom plan view thereof;

[52] **U.S. Cl.** **D23/351; D23/333**

FIG. 5 is a right side elevational view thereof;

[58] **Field of Search** **D23/351-354,**
D23/370, 371, 380, 333; 62/DIG. 16, 263;
454/233

FIG. 6 is an enlarged front, bottom and right side perspective view thereof;

FIG. 7 is an enlarged cross-sectional view thereof, taken along line 7—7 of FIG. 1; and,

FIG. 8 is an enlarged front, bottom and right side perspective view thereof, with the louvre opened.

The left side elevational view is omitted as that is symmetrical to the right side elevational view.

[56] **References Cited**

U.S. PATENT DOCUMENTS

- D. 307,466 4/1990 Takasuna et al. D23/351
- D. 345,786 4/1994 Saito et al. D23/351

1 Claim, 4 Drawing Sheets

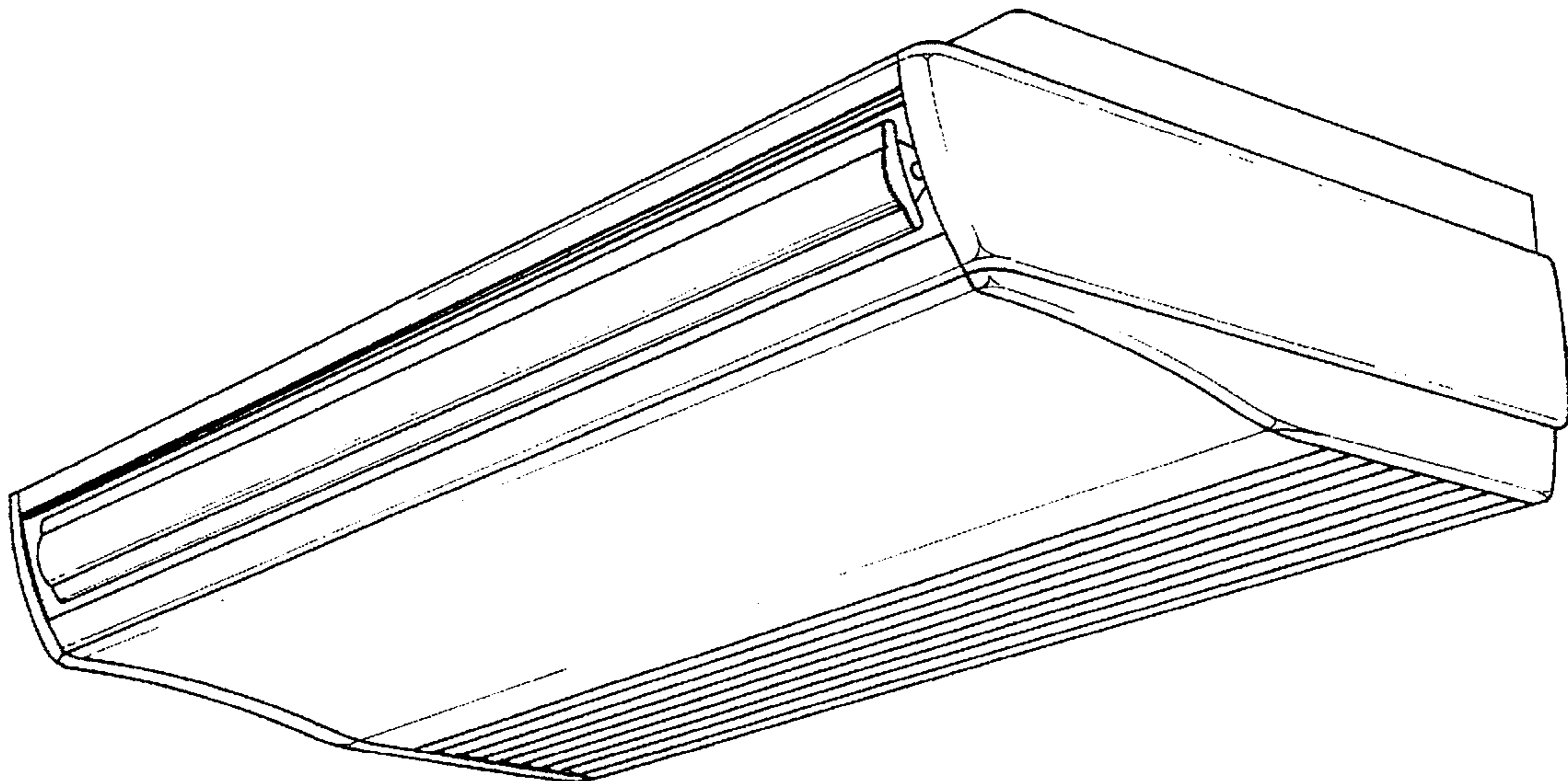
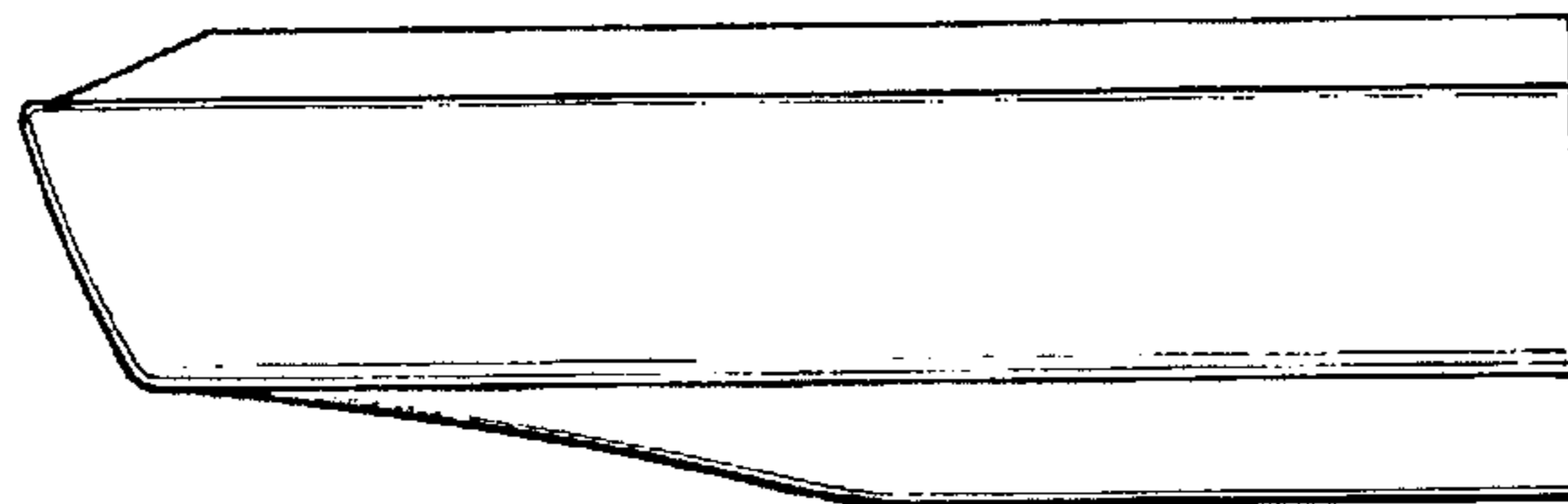


FIG. 1

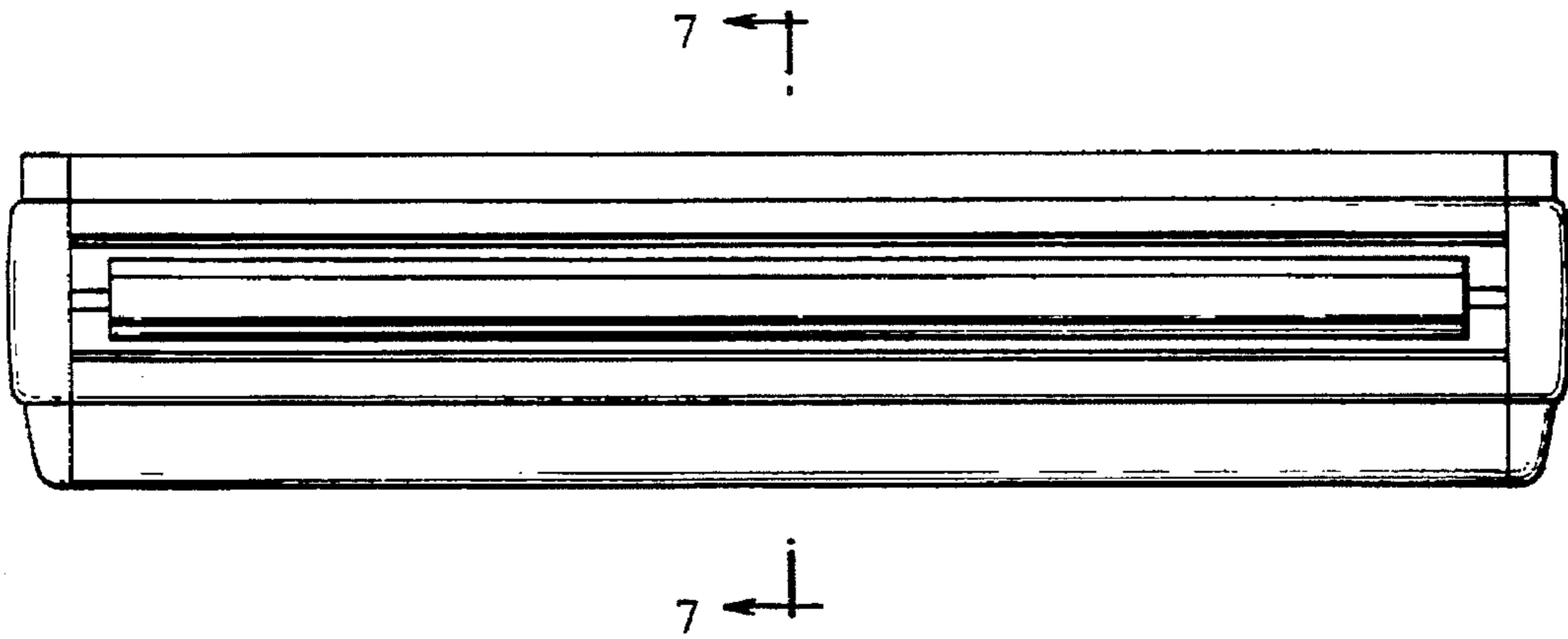


FIG. 2

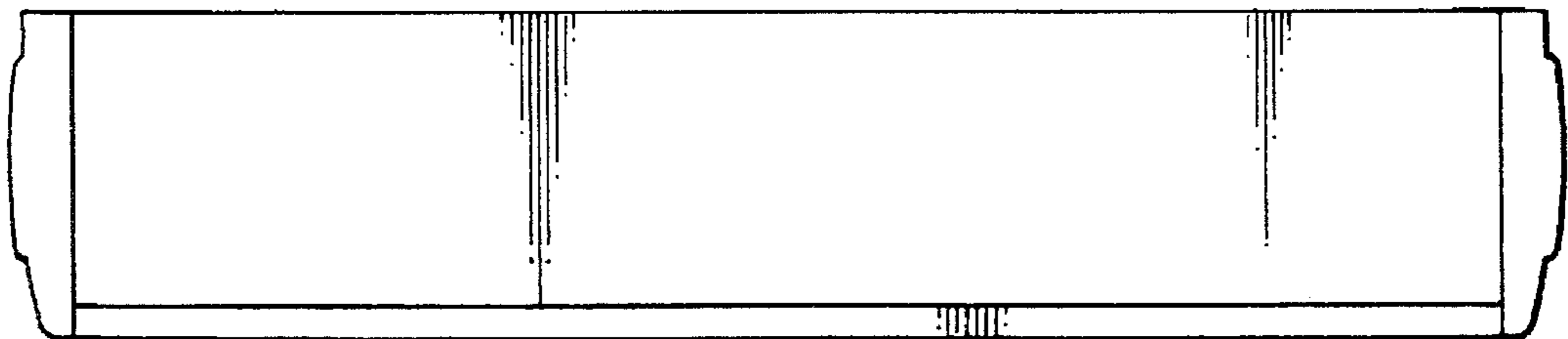


FIG. 3

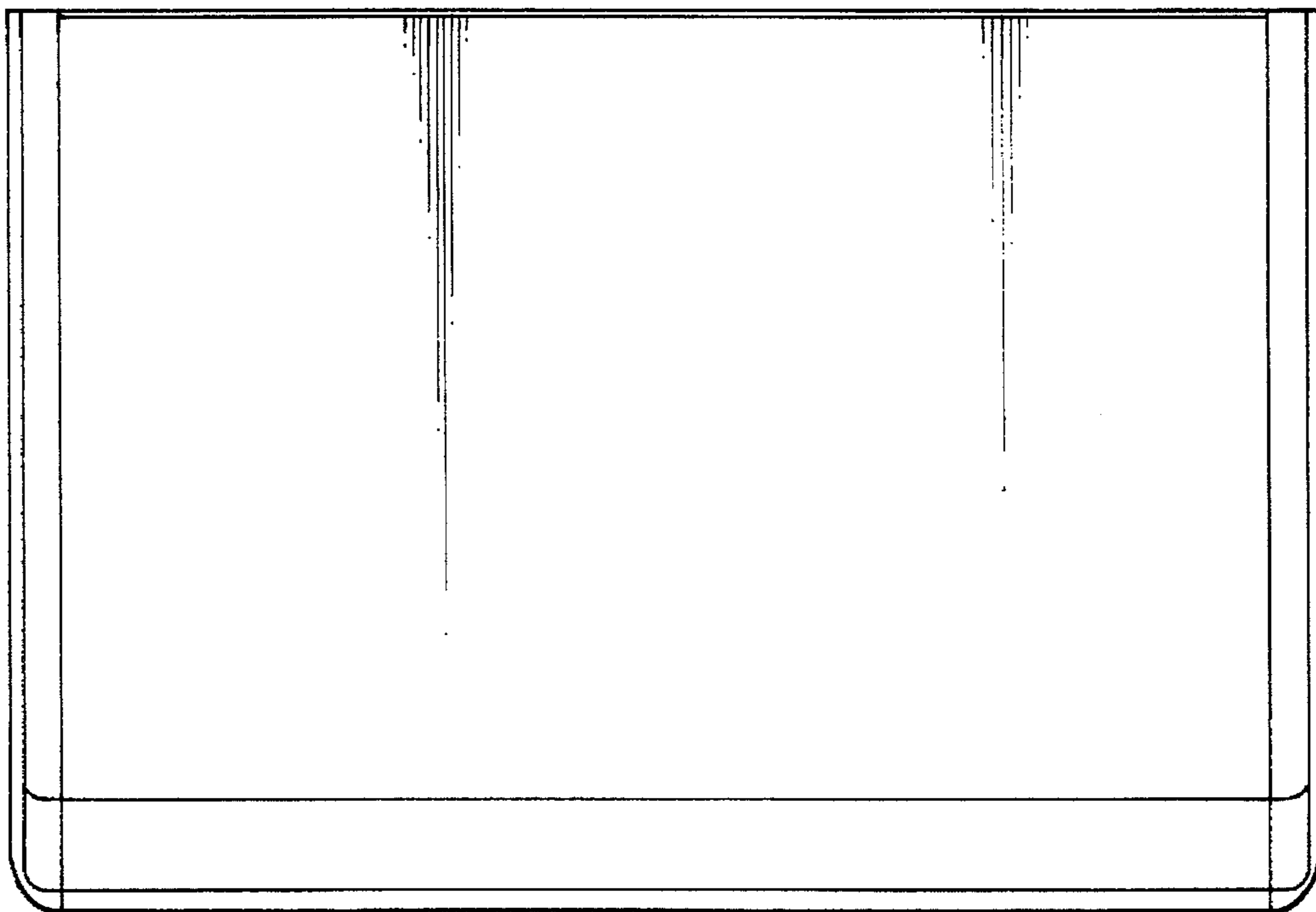
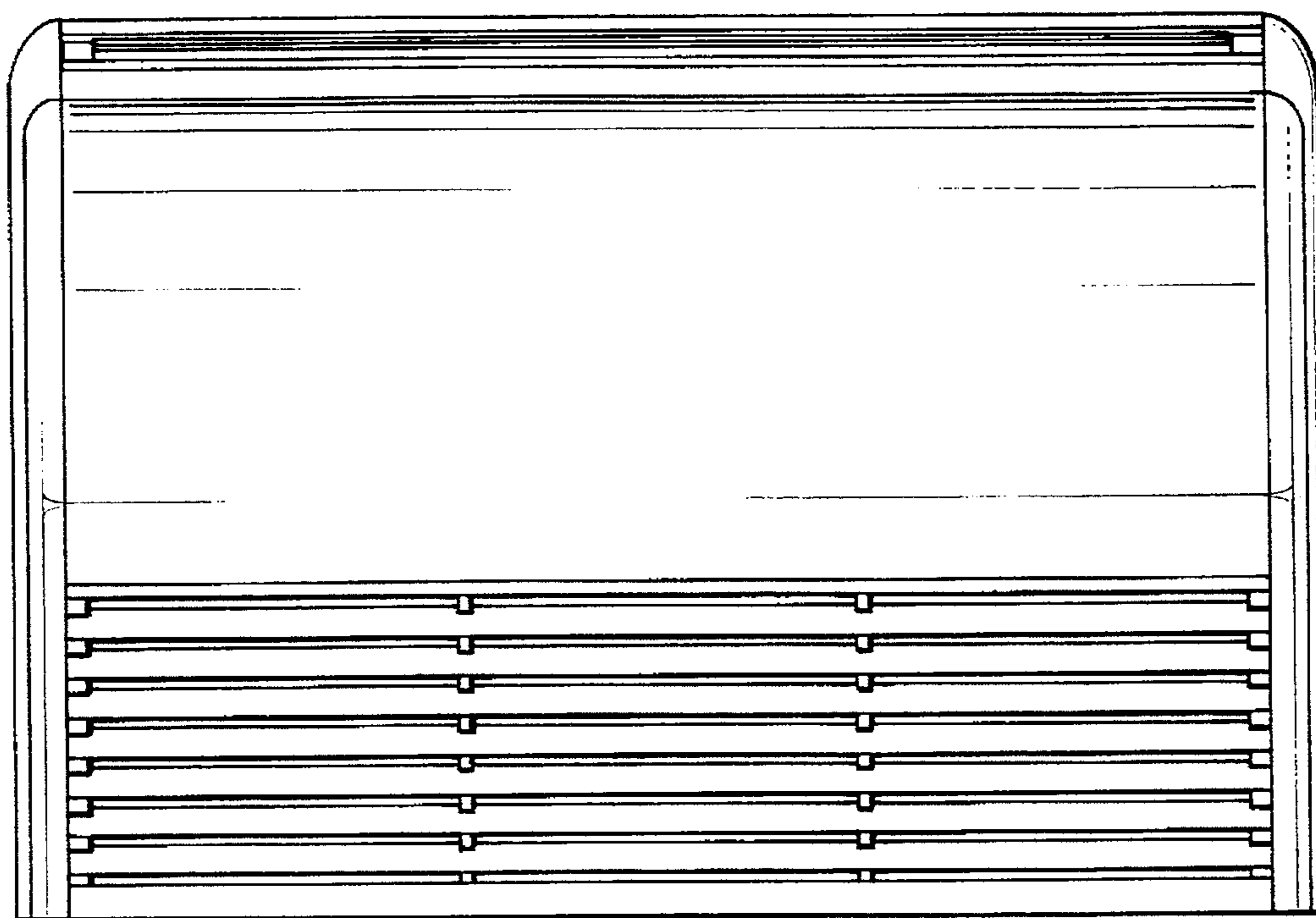


FIG. 4



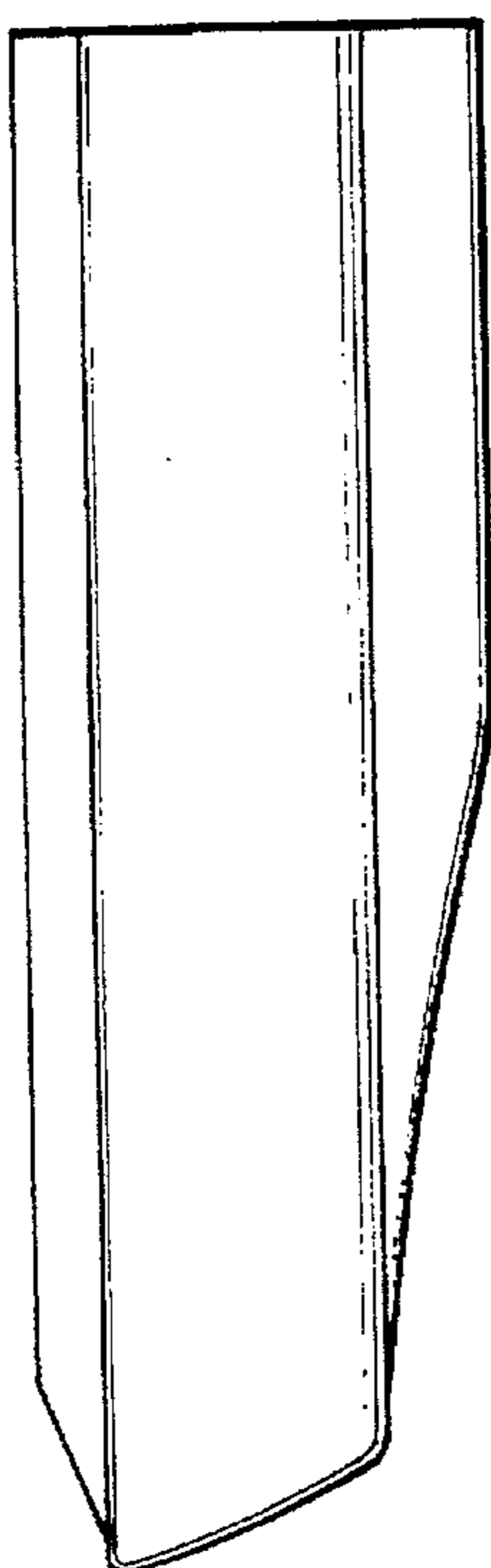


FIG. 5

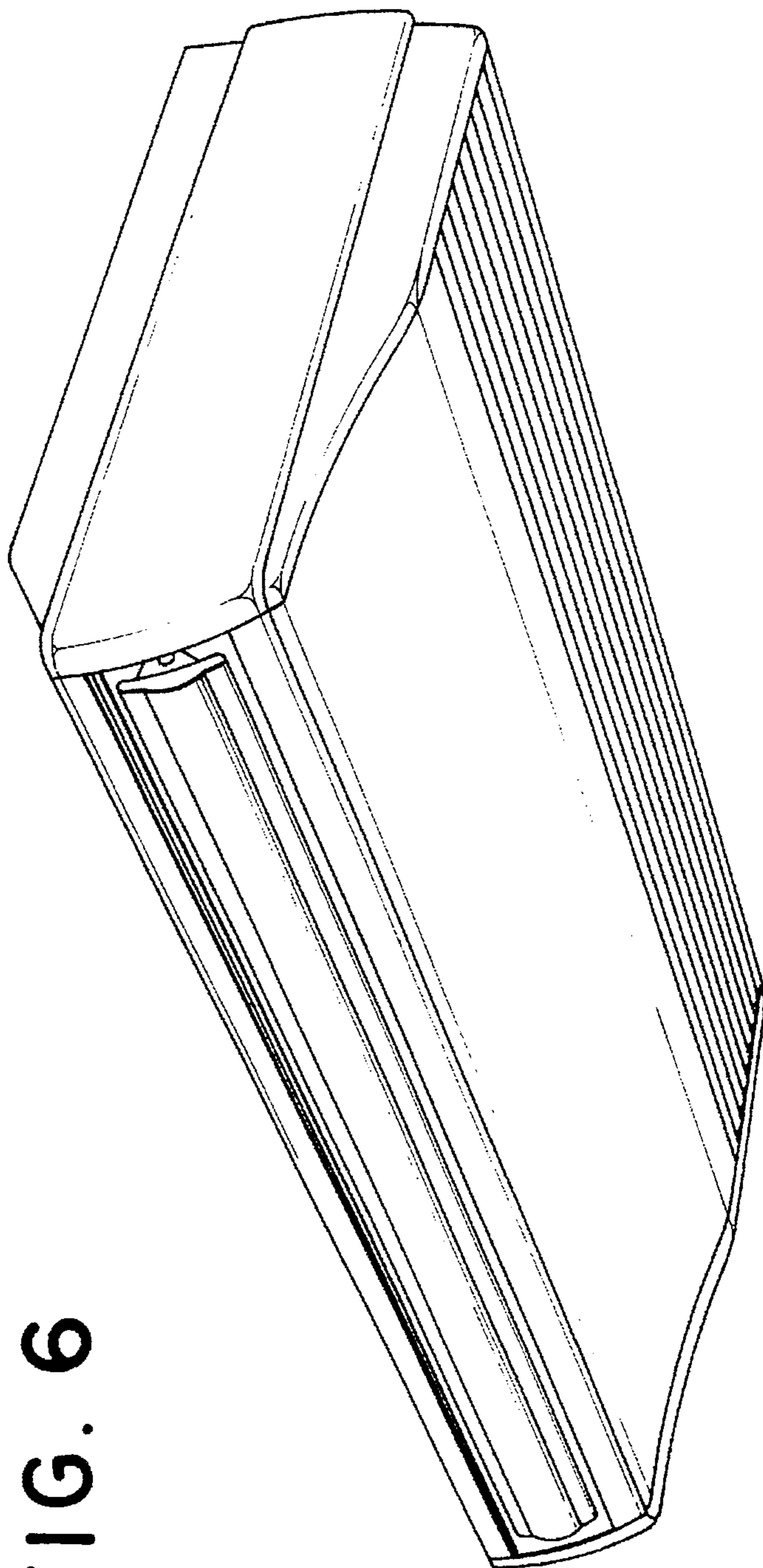


FIG. 6

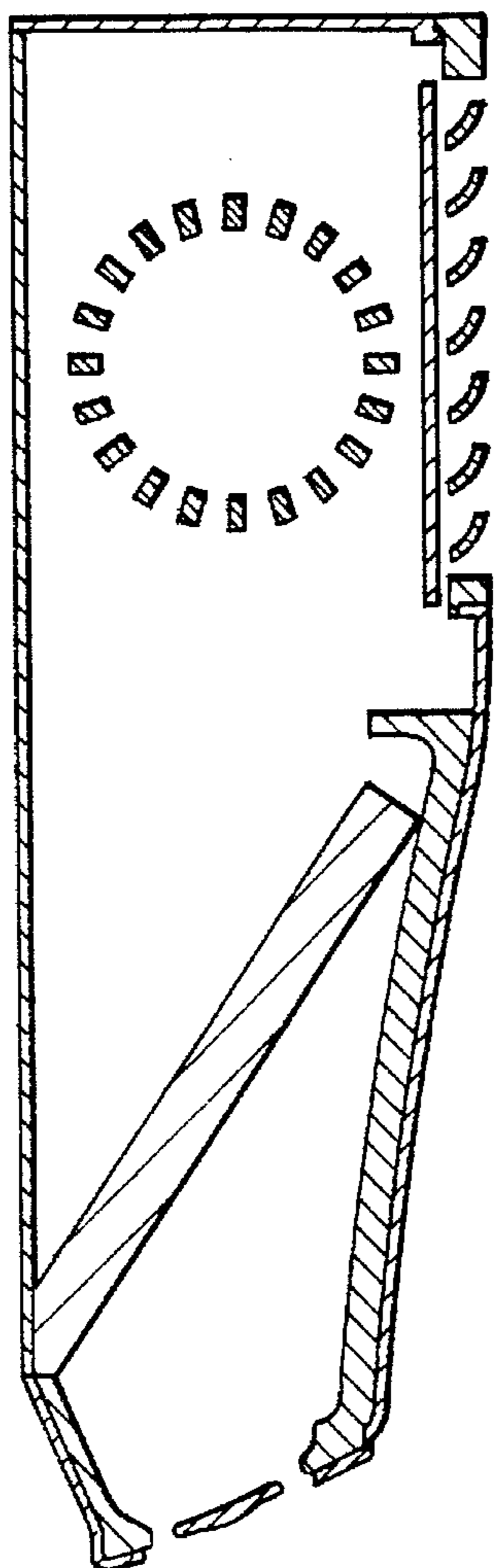


FIG. 7

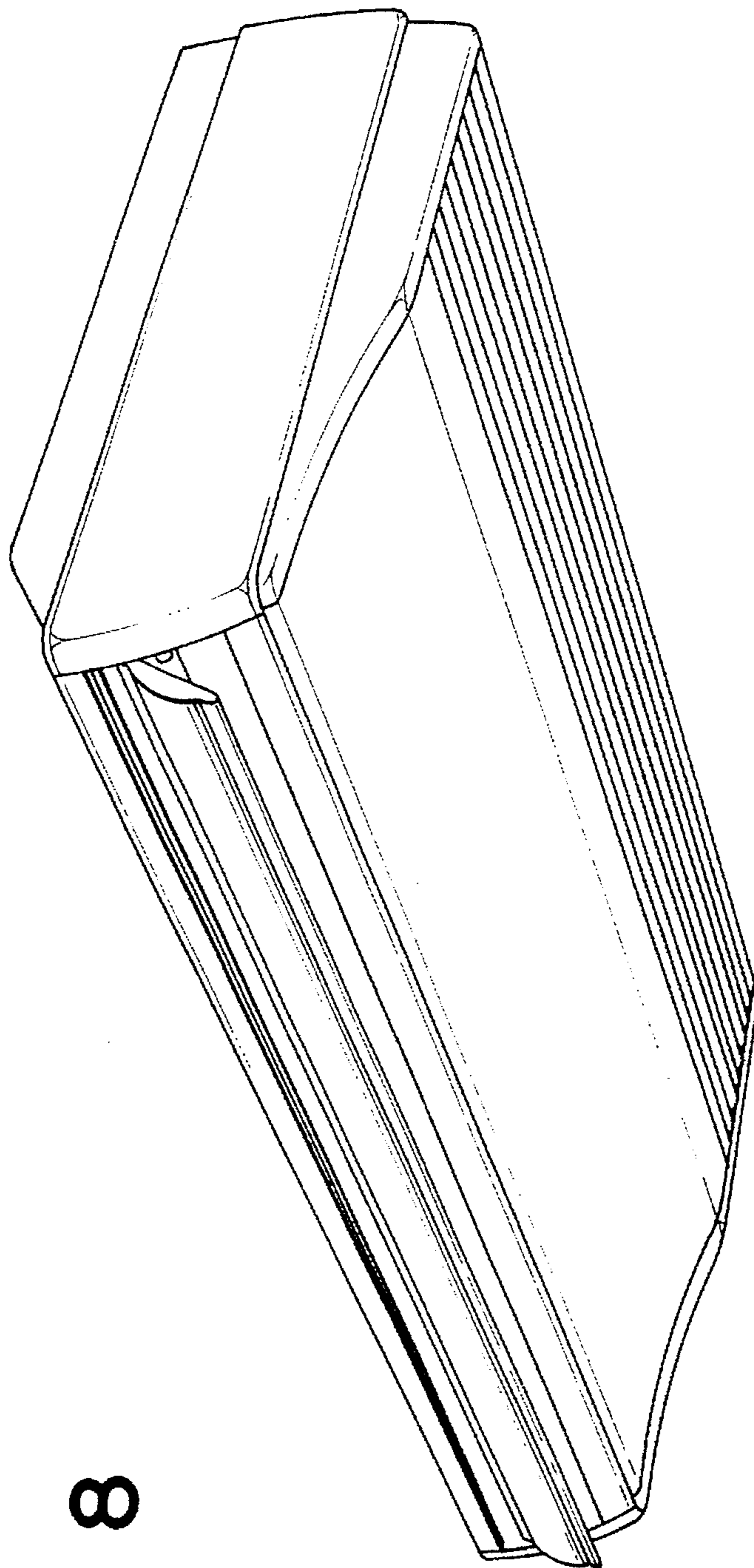


FIG. 8