



US00D380254S

United States Patent [19] Chiang

[11] Patent Number: **Des. 380,254**

[45] Date of Patent: ****Jun. 24, 1997**

[54] **ELECTRIC FAN FOR AN AUTOMOBILE**

D. 340,764 10/1993 Edwards et al. D23/324
D. 359,550 6/1995 Chan D23/324

[76] Inventor: **Chin-Fu Chiang**, No. 182, Sec. 1,
Chin-Hwa Rd., Tainan City, Taiwan

Primary Examiner—Lisa P. Lichtenstein
Attorney, Agent, or Firm—Ladas & Parry

[**] Term: **14 Years**

[57] **CLAIM**

[21] Appl. No.: **52,563**

The ornamental design for an electric fan for an automobile,
as shown.

[22] Filed: **Apr. 3, 1996**

[51] LOC (6) Cl. **12-16**

DESCRIPTION

[52] U.S. Cl. **D23/324; D23/332**

FIG. 1 is a perspective view of electric fan for an automobile
showing my new design;

[58] Field of Search D23/332, 324,
D23/381, 370, 328, 335, 337; 454/140;
392/365

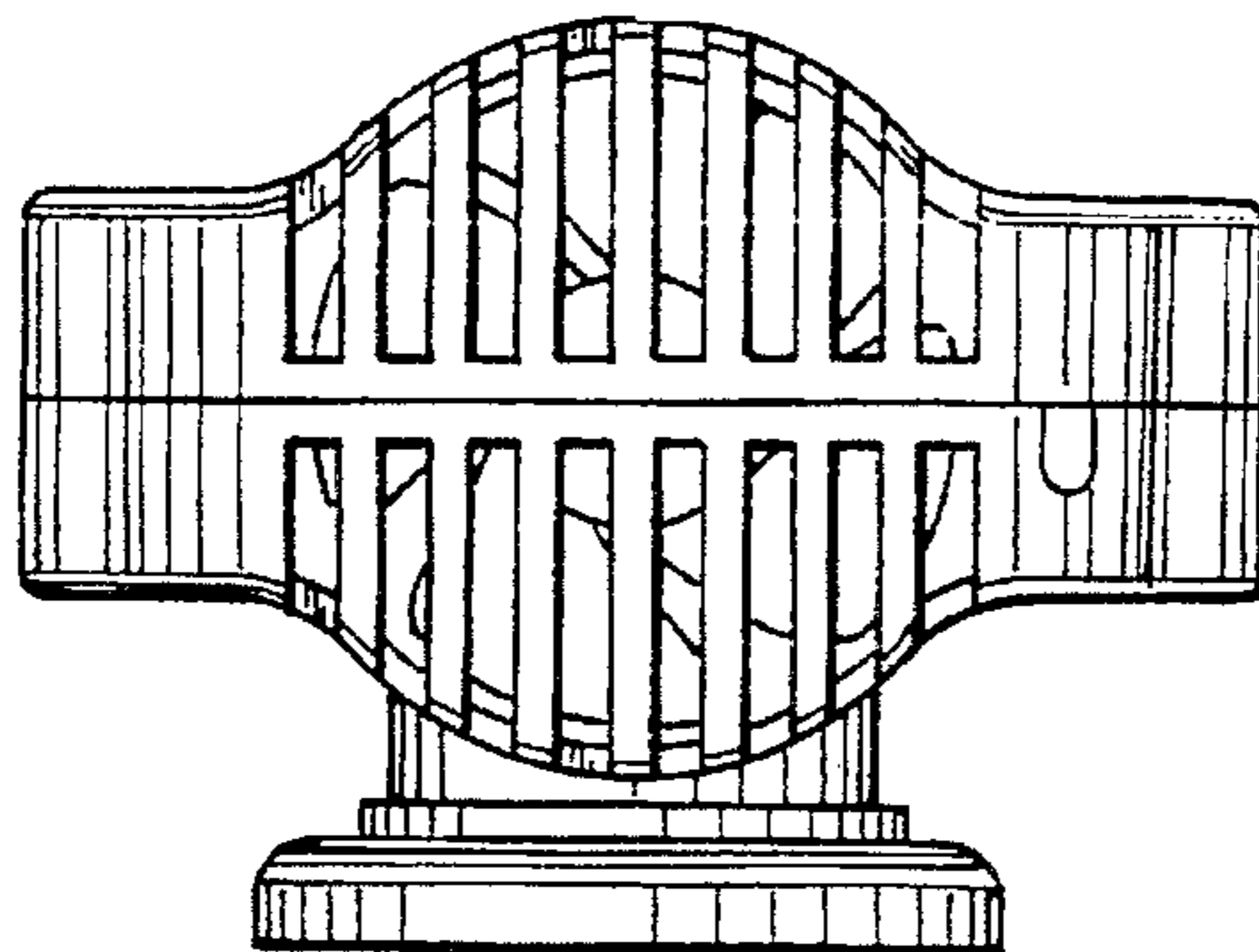
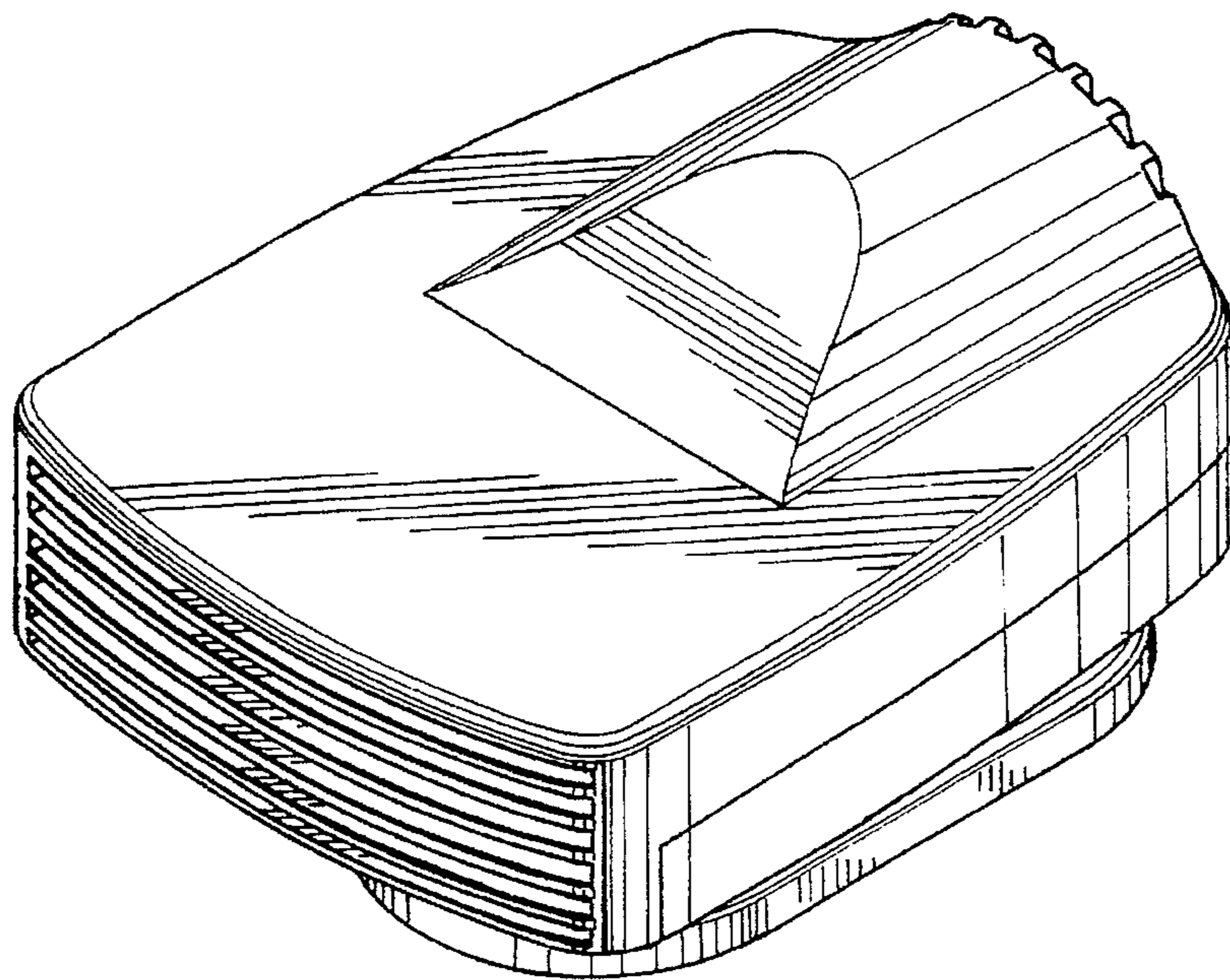
FIG. 2 is a front elevational view thereof;
FIG. 3 is a rear elevational view thereof;
FIG. 4 is a left side elevational view thereof;
FIG. 5 is a right side elevational view thereof;
FIG. 6 is a top plan view thereof; and,
FIG. 7 is a bottom plan view thereof.

[56] **References Cited**

U.S. PATENT DOCUMENTS

D. 197,194 12/1963 Dahlberg D23/370
D. 296,583 7/1988 Barradas D23/337
D. 326,511 5/1992 Chiang D23/328

1 Claim, 4 Drawing Sheets



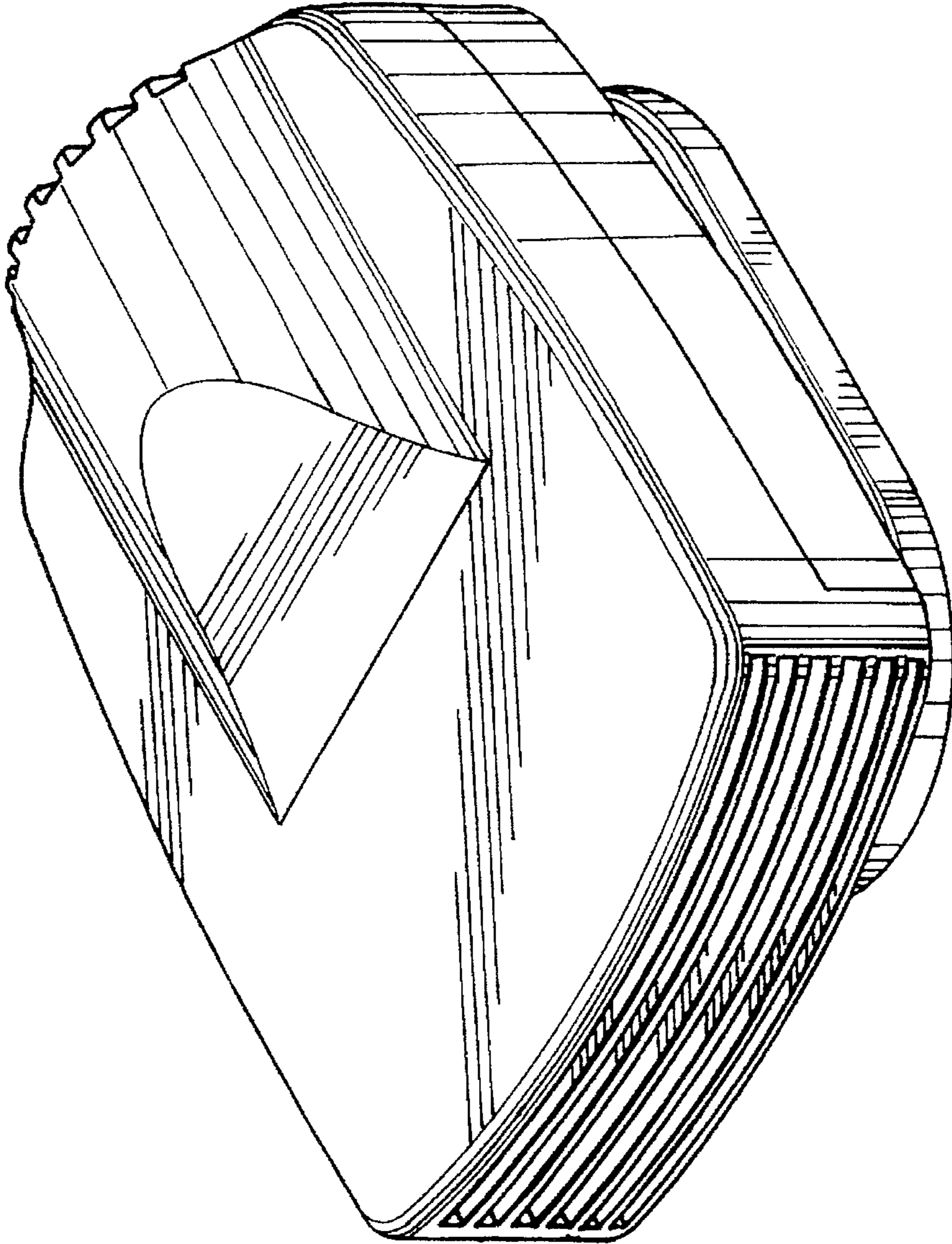


FIG.1

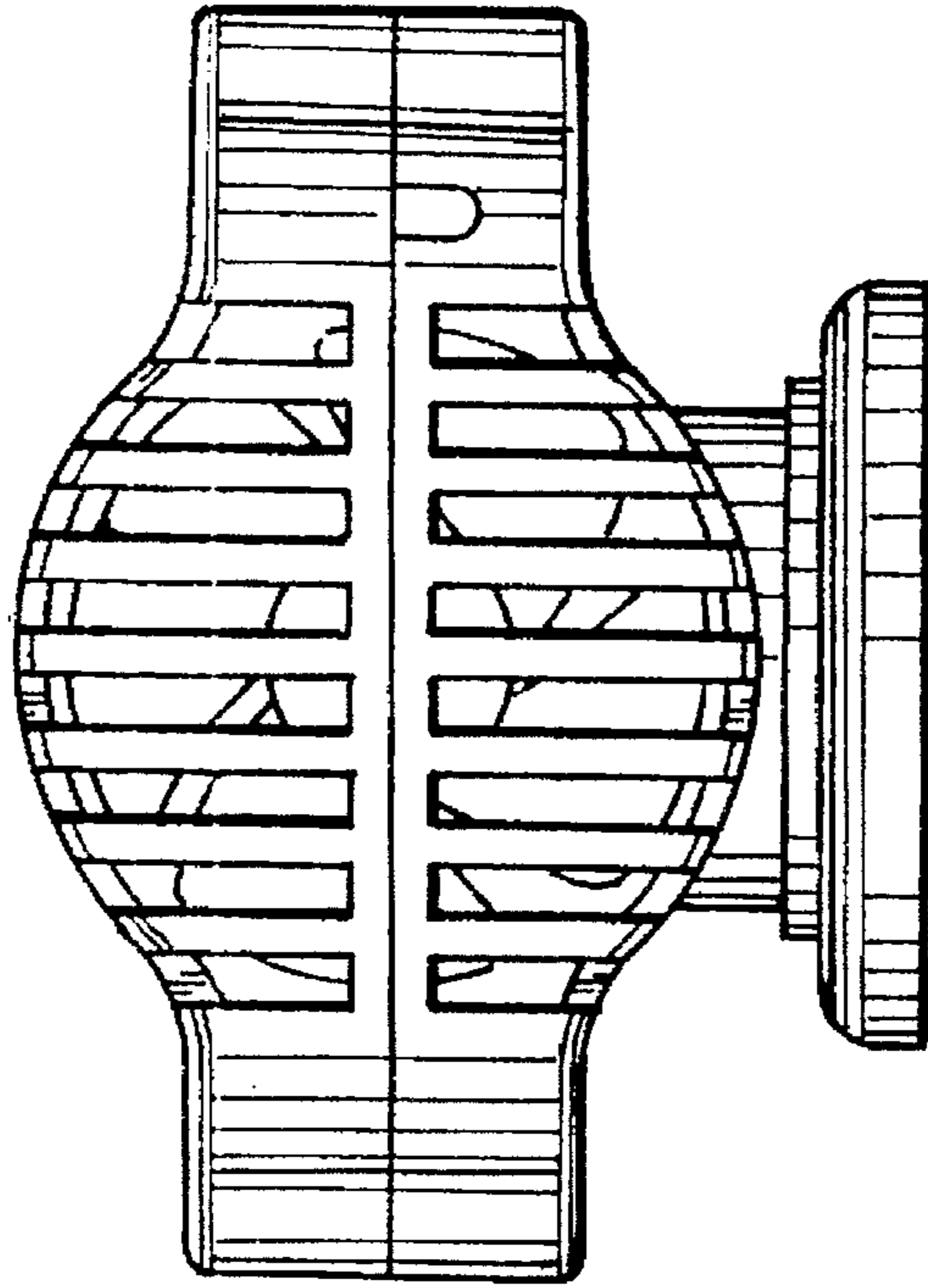


FIG. 3

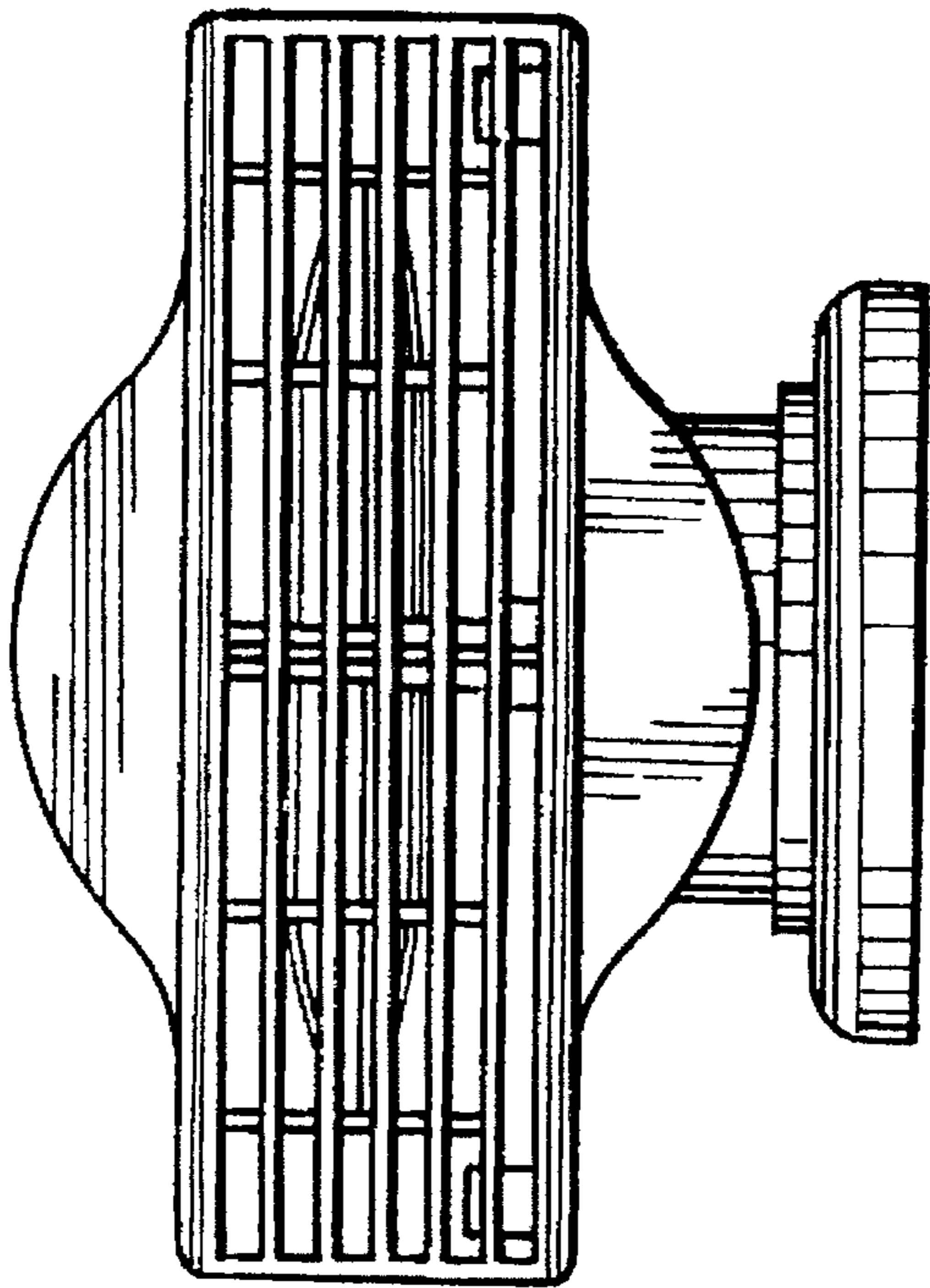


FIG. 2

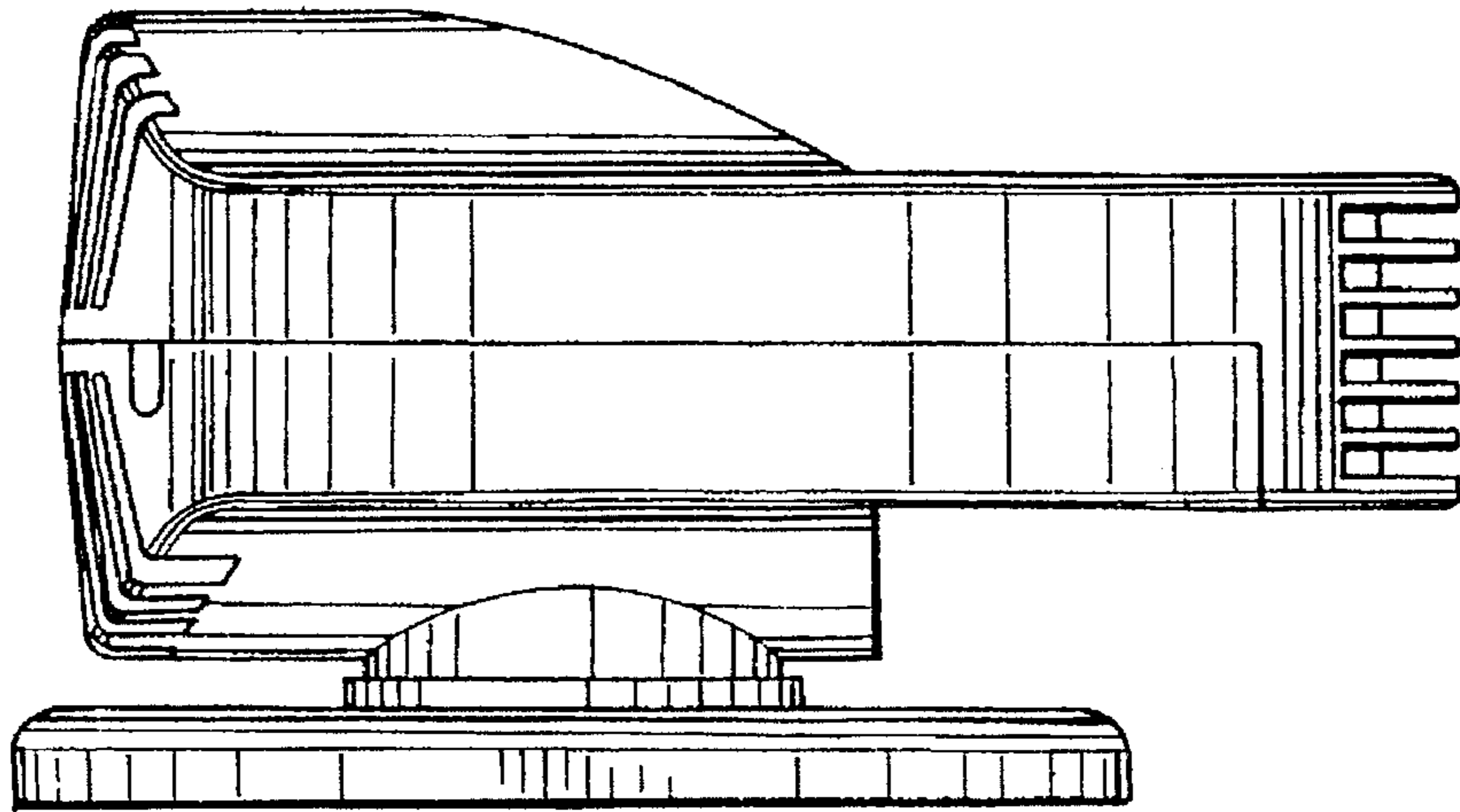


FIG. 4

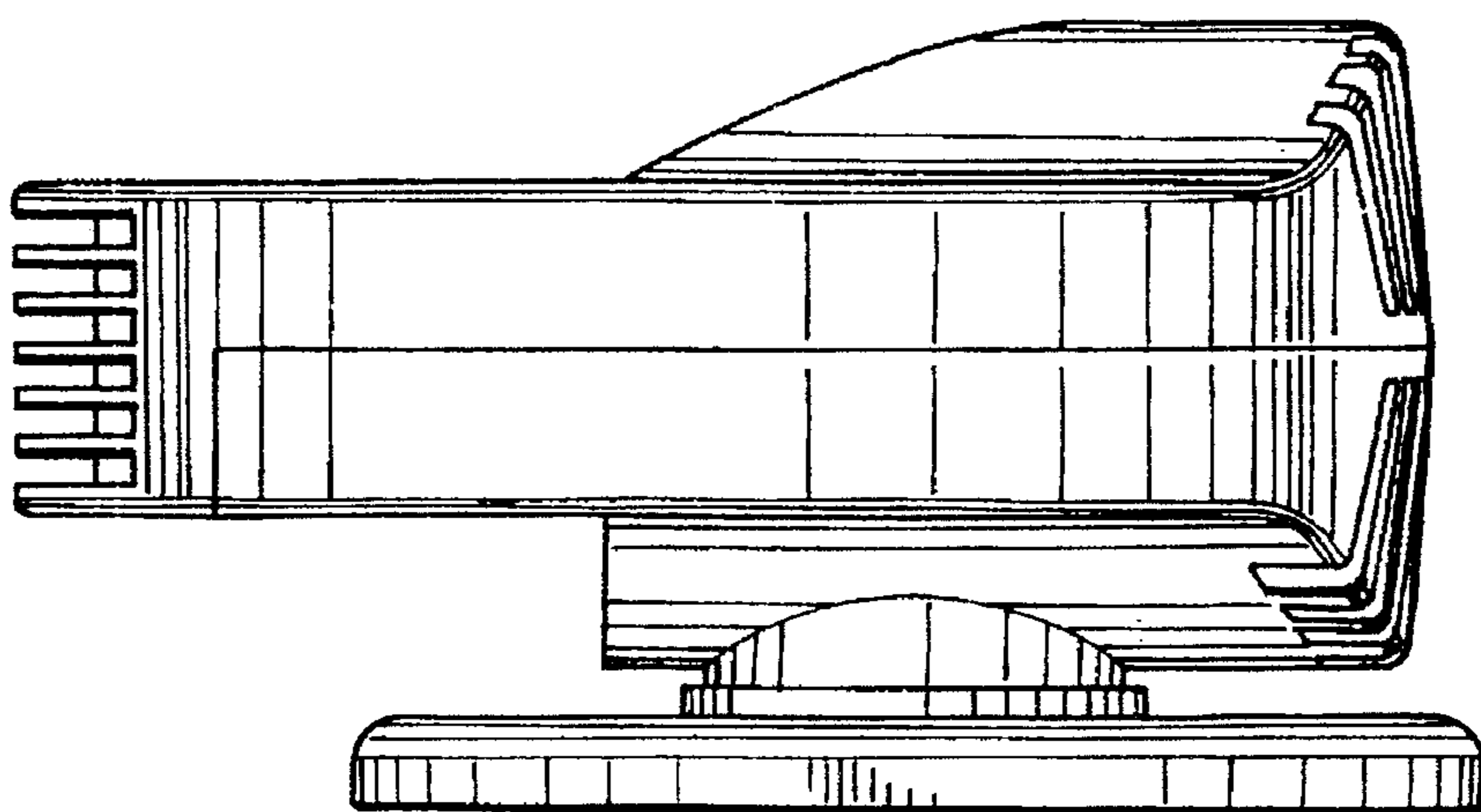


FIG. 5

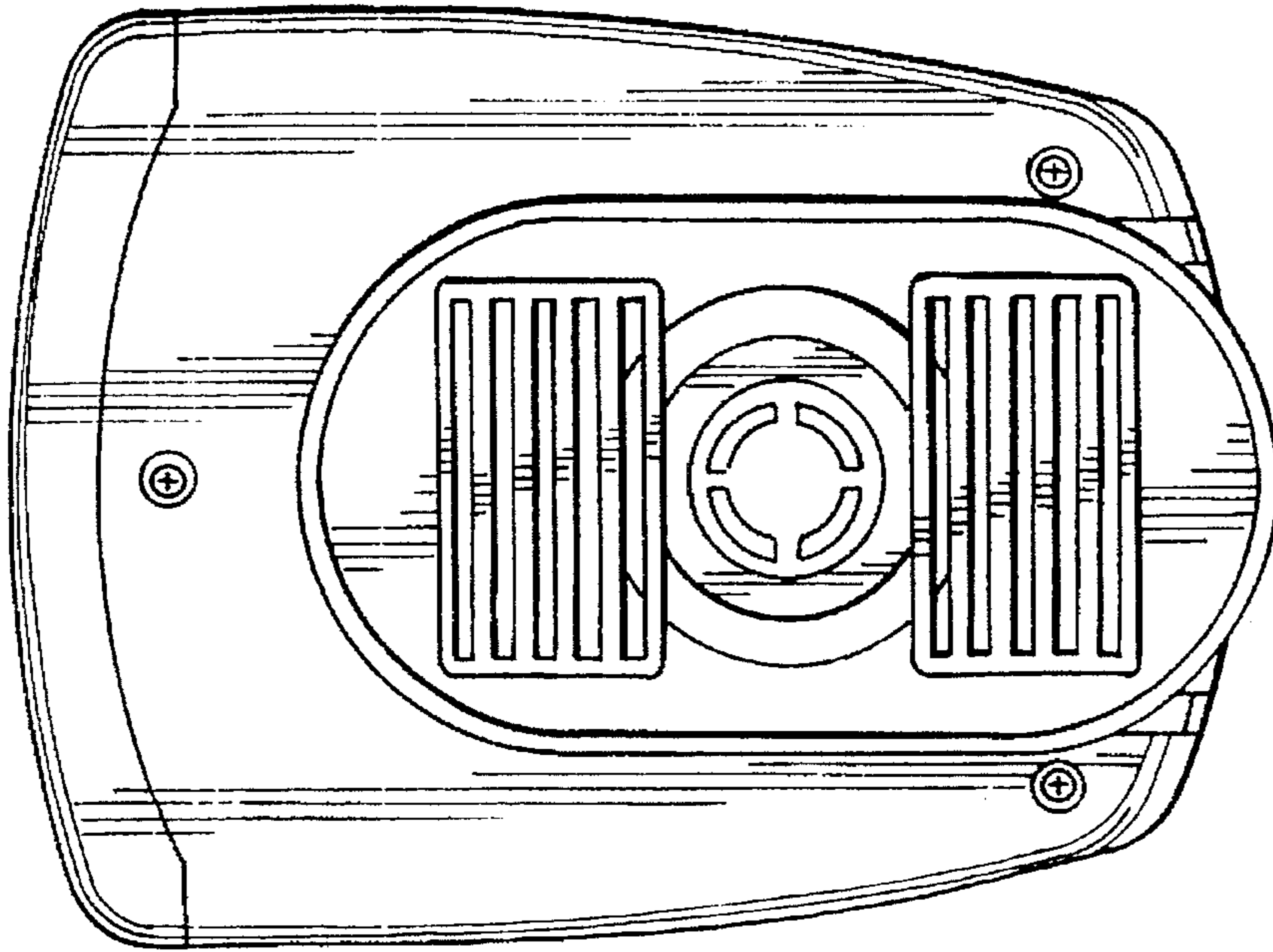


FIG. 7

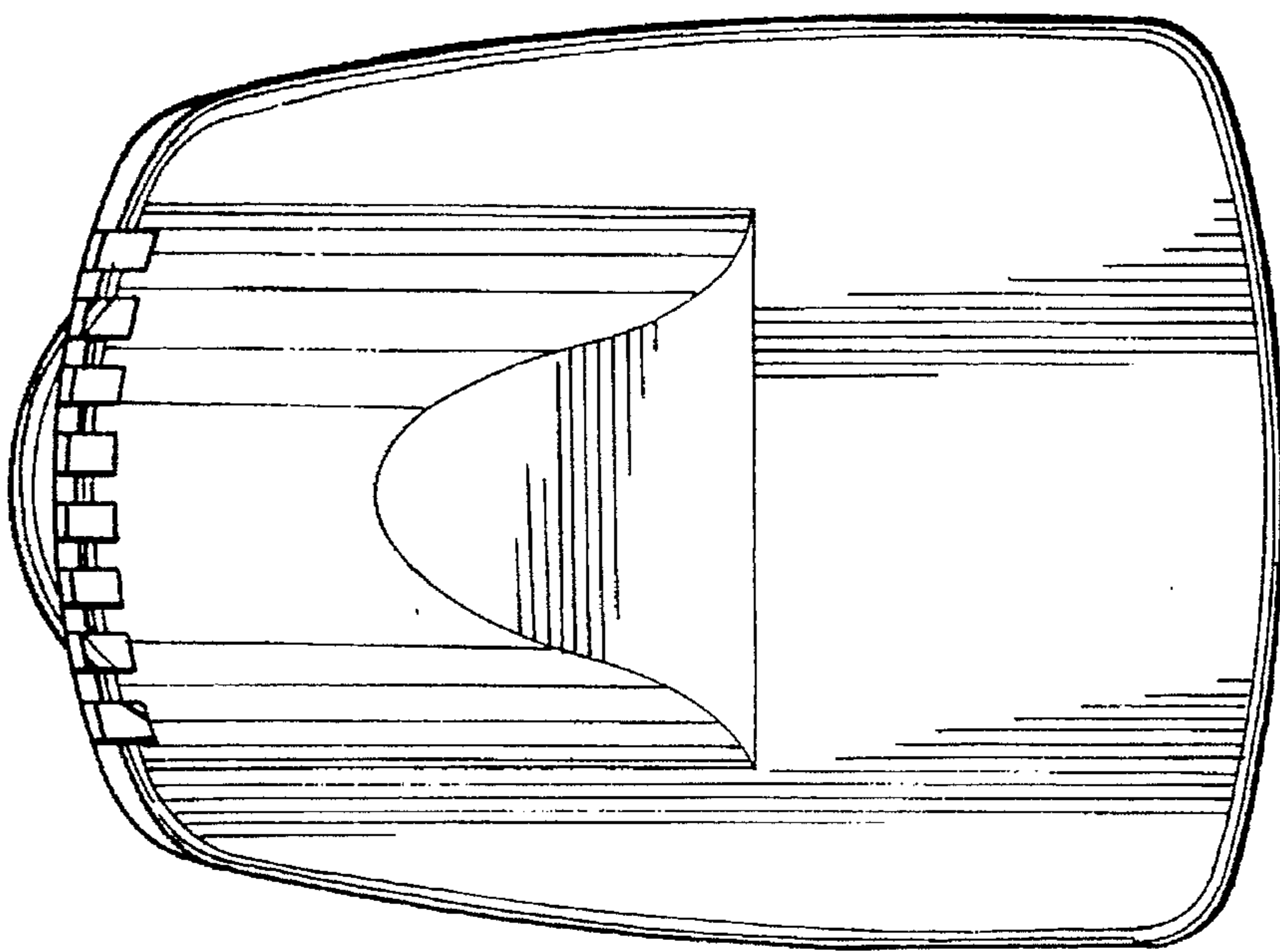


FIG. 6