

US00D380253S

United States Patent [19]

[11] **Patent Number: Des. 380,253**

Moya

[45] **Date of Patent: **Jun. 24, 1997**

[54] **GUTTER DOWNSPOUT STRAINER HOUSING**

Attorney, Agent, or Firm—Lee, Mann, Smith, McWilliams, Sweeney & Ohlson

[76] **Inventor: Luis L. Moya, 2633 N. Avers, Chicago, Ill. 60647**

[57] **CLAIM**

[**] **Term: 14 Years**

The ornamental design for a gutter downspout strainer housing, as shown and described.

[21] **Appl. No.: 30,584**

DESCRIPTION

[22] **Filed: Nov. 2, 1994**

FIG. 1 is a perspective view of my new gutter downspout strainer housing;

[51] **LOC (6) Cl. 23-01**

FIG. 2 is a front elevational view thereof;

[52] **U.S. Cl. D23/267**

FIG. 3 is a side elevational view thereof;

[58] **Field of Search D23/267, 268;**

FIG. 4 is a rear elevational view thereof;

D25/119; 52/11-17

FIG. 5 is a top plan view thereof; and,

FIG. 6 is a bottom plan view thereof.

*Primary Examiner—Doris V. Coles
Assistant Examiner—Eric Watterson*

1 Claim, 2 Drawing Sheets

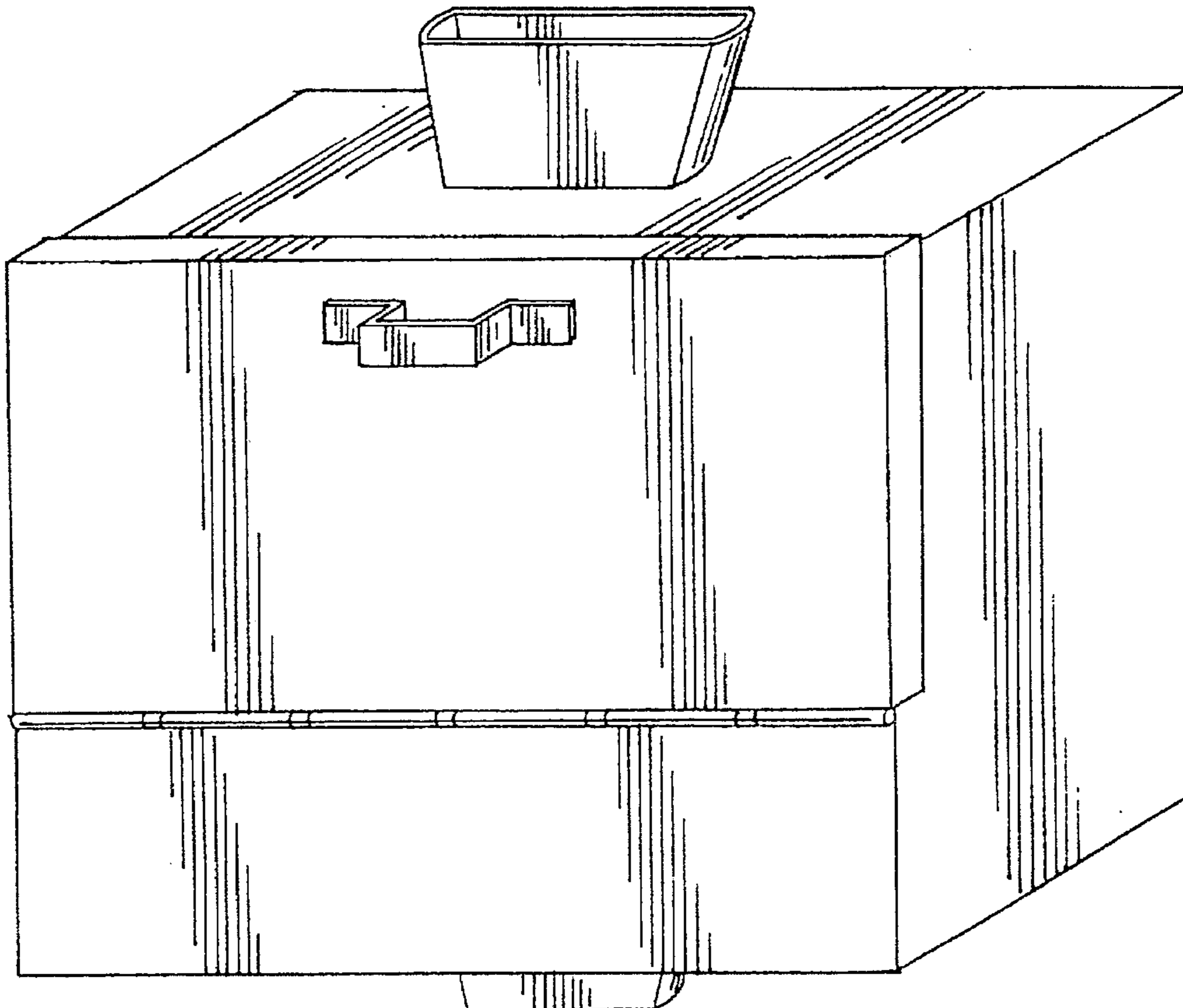


FIG. 1

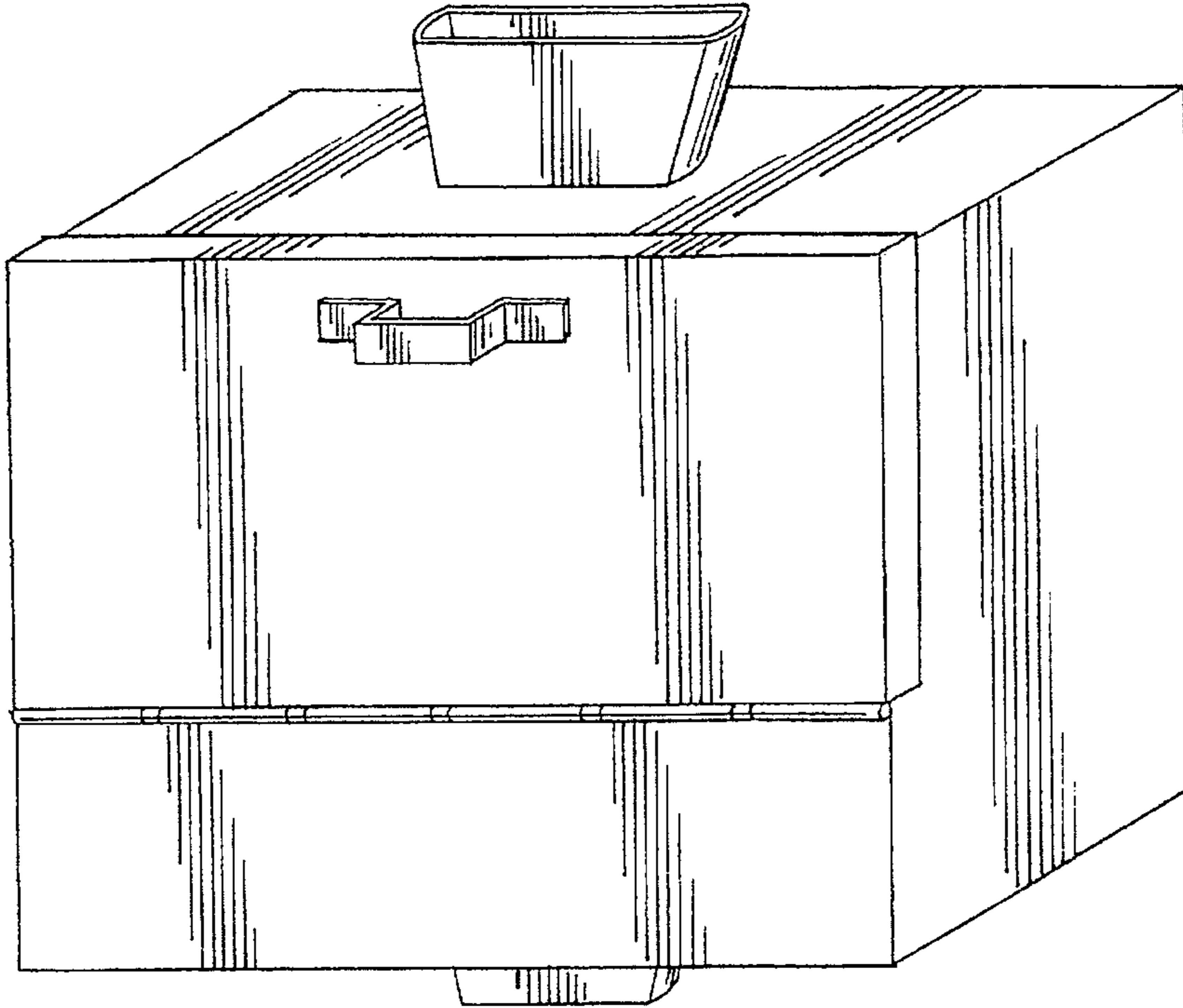


FIG. 2

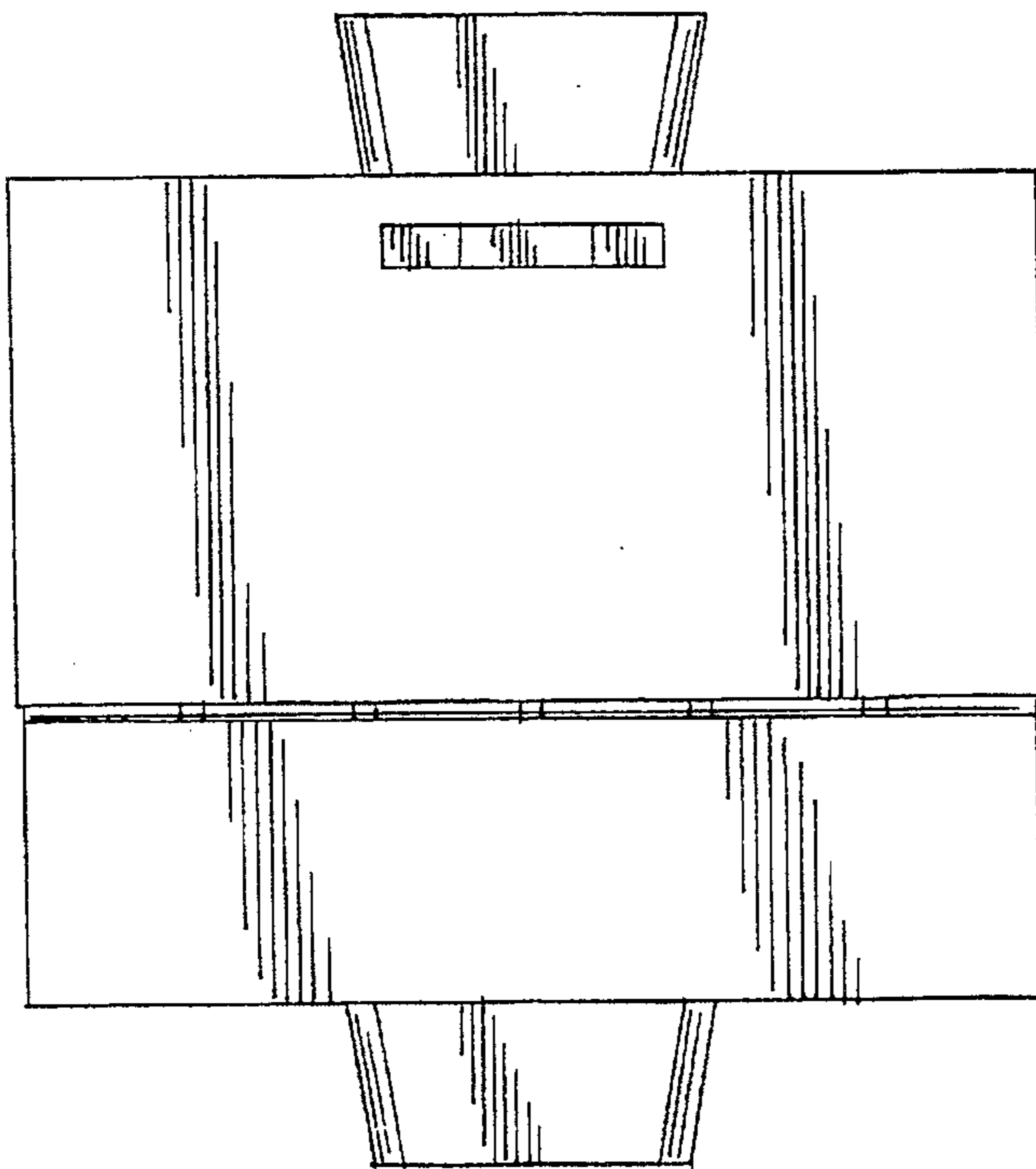


FIG. 3

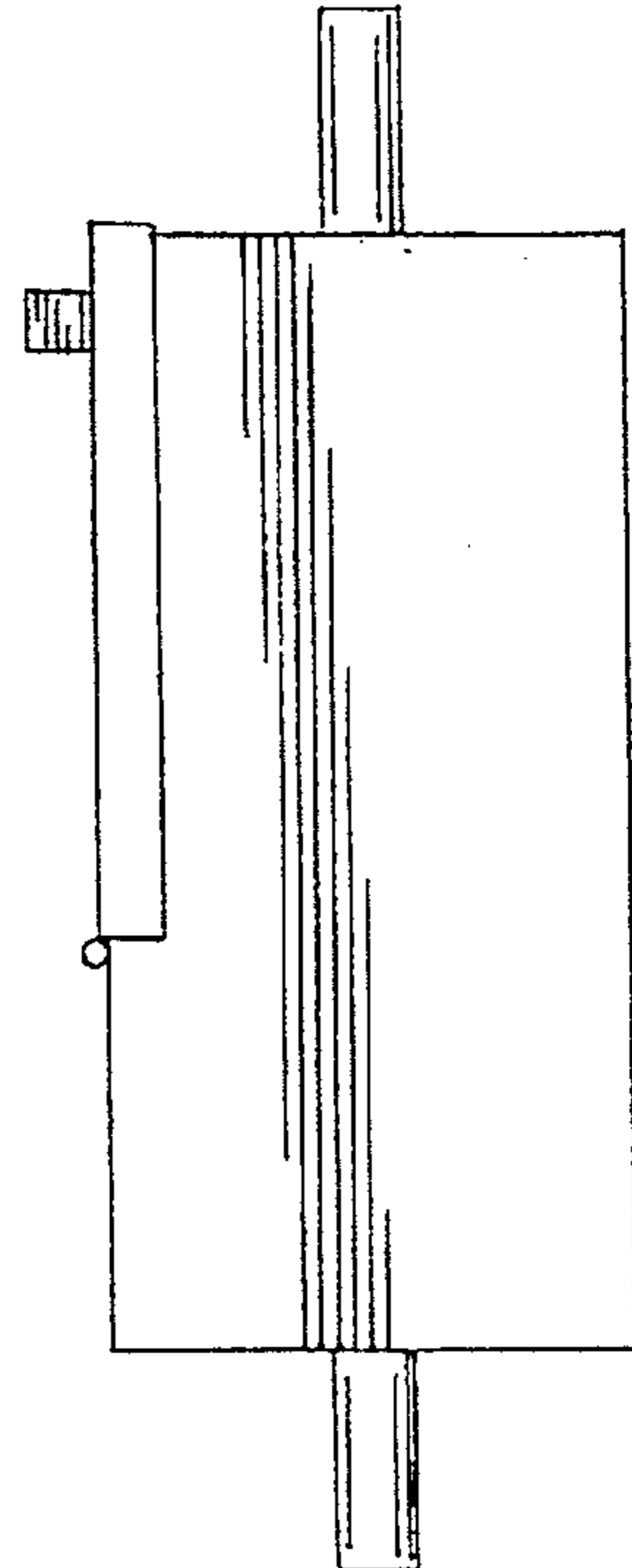


FIG. 4

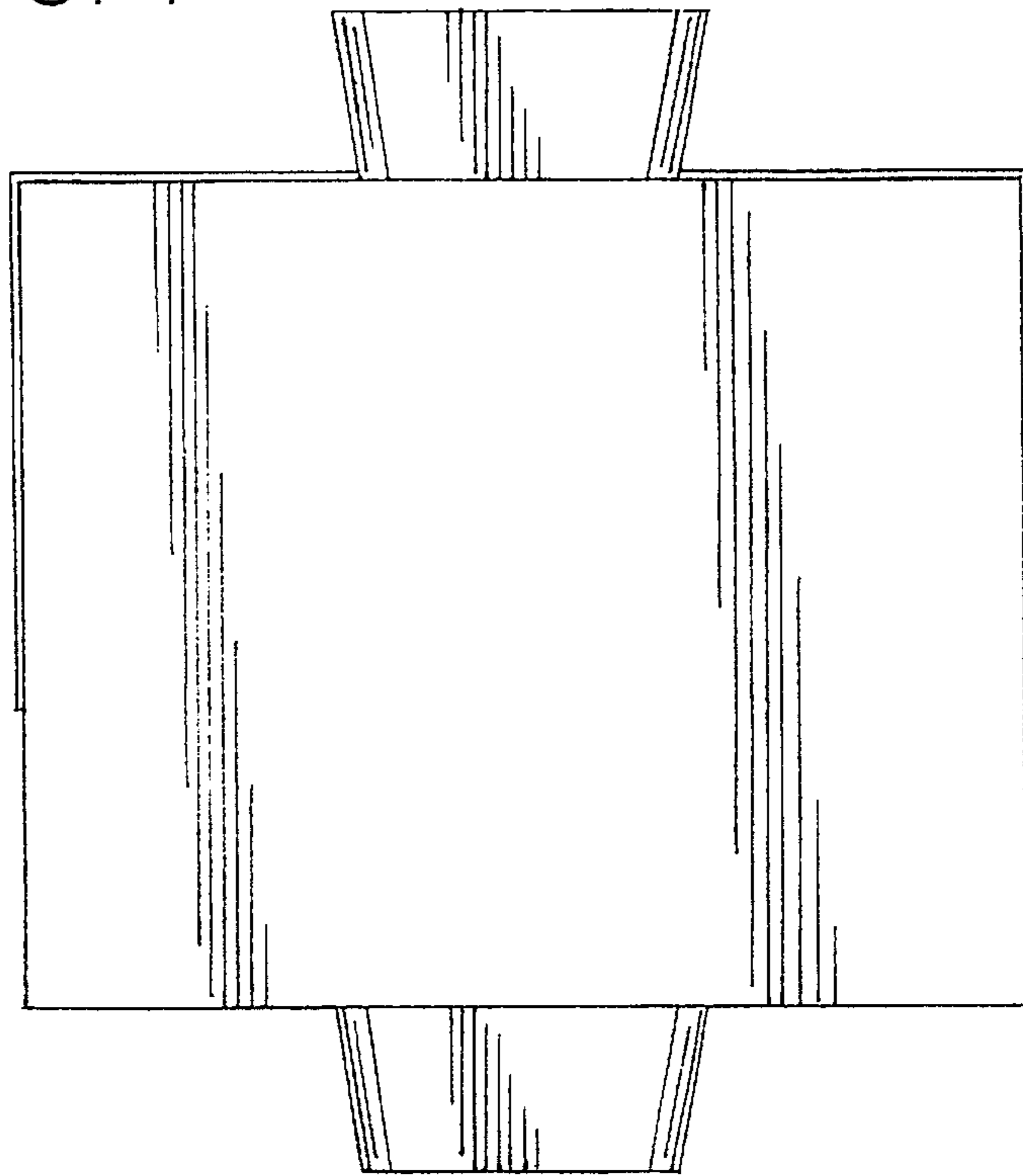


FIG. 5

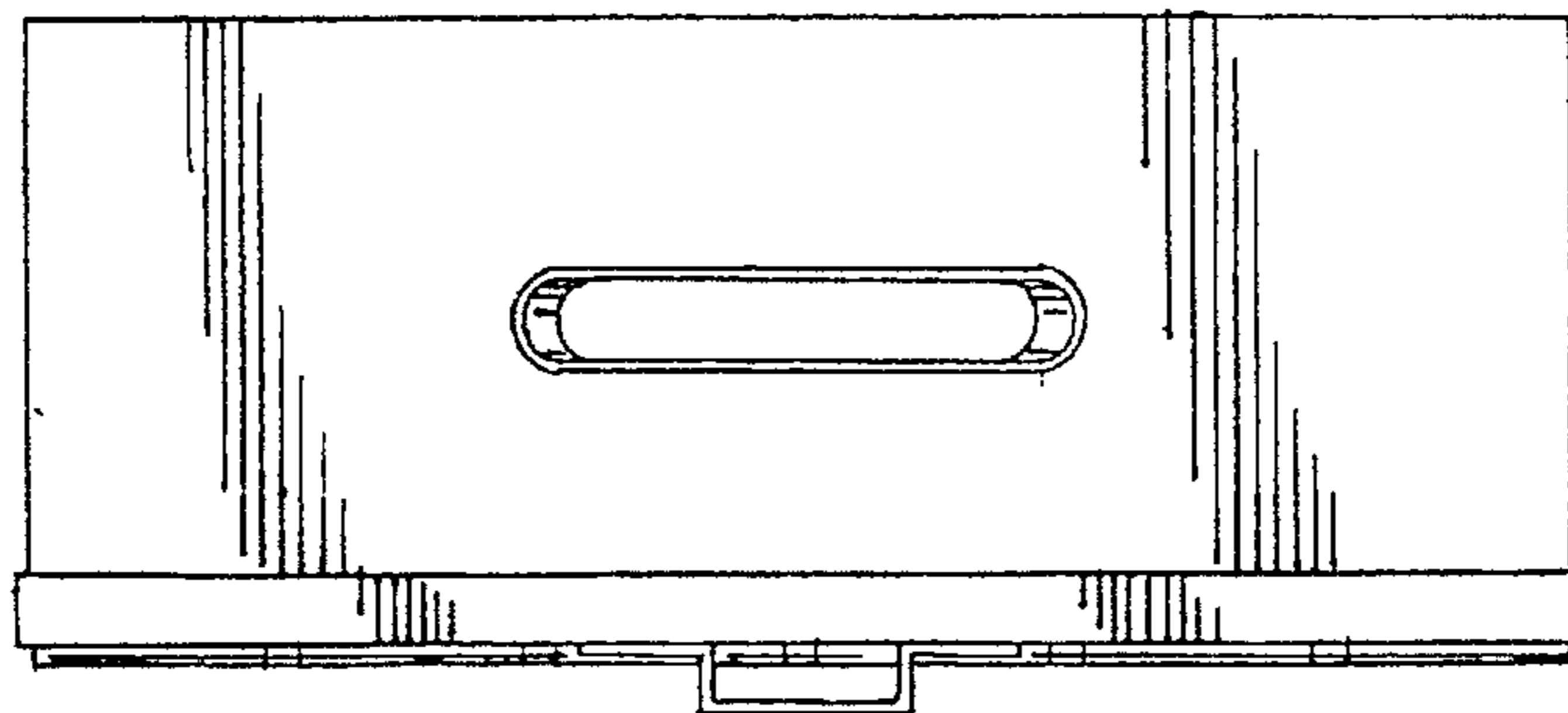


FIG. 6

