



US00D380252S

United States Patent [19]

Abel

[11] Patent Number: **Des. 380,252**

[45] Date of Patent: ****Jun. 24, 1997**

[54] **KITCHEN AND BATH FAUCET**

D. 213,874 4/1969 Landell et al. D23/238
D. 235,546 6/1975 Landell D23/241

[76] Inventor: **Jack Abel**, 491 Wortman Ave., Spring Creek, N.Y. 11208

Primary Examiner—Doris V. Coles
Assistant Examiner—E. Watterson
Attorney, Agent, or Firm—Myron Amer, P.C.

[**] Term: **14 Years**

[57] **CLAIM**

[21] Appl. No.: **50,178**

The ornamental design for kitchen and bath faucet, as shown and described.

[22] Filed: **Feb. 9, 1996**

[51] LOC (6) Cl. **23-01**

DESCRIPTION

[52] U.S. Cl. **D23/241**

FIG. 1 is a perspective view of kitchen and bath faucet showing my new design;

[58] Field of Search D23/238-243,
D23/249-258; 4/675-678; 137/801

FIG. 2 is a right side elevational view thereof;

FIG. 3 is a left side elevational view thereof;

FIG. 4 is a front elevational view thereof;

FIG. 5 is a rear elevational view thereof; and,

FIG. 6 is a plan view thereof.

[56] **References Cited**

U.S. PATENT DOCUMENTS

D. 193,827 10/1962 Harty D23/238
D. 197,000 11/1963 Landell et al. D23/238
D. 203,246 12/1965 Harvey et al. D23/238

1 Claim, 2 Drawing Sheets

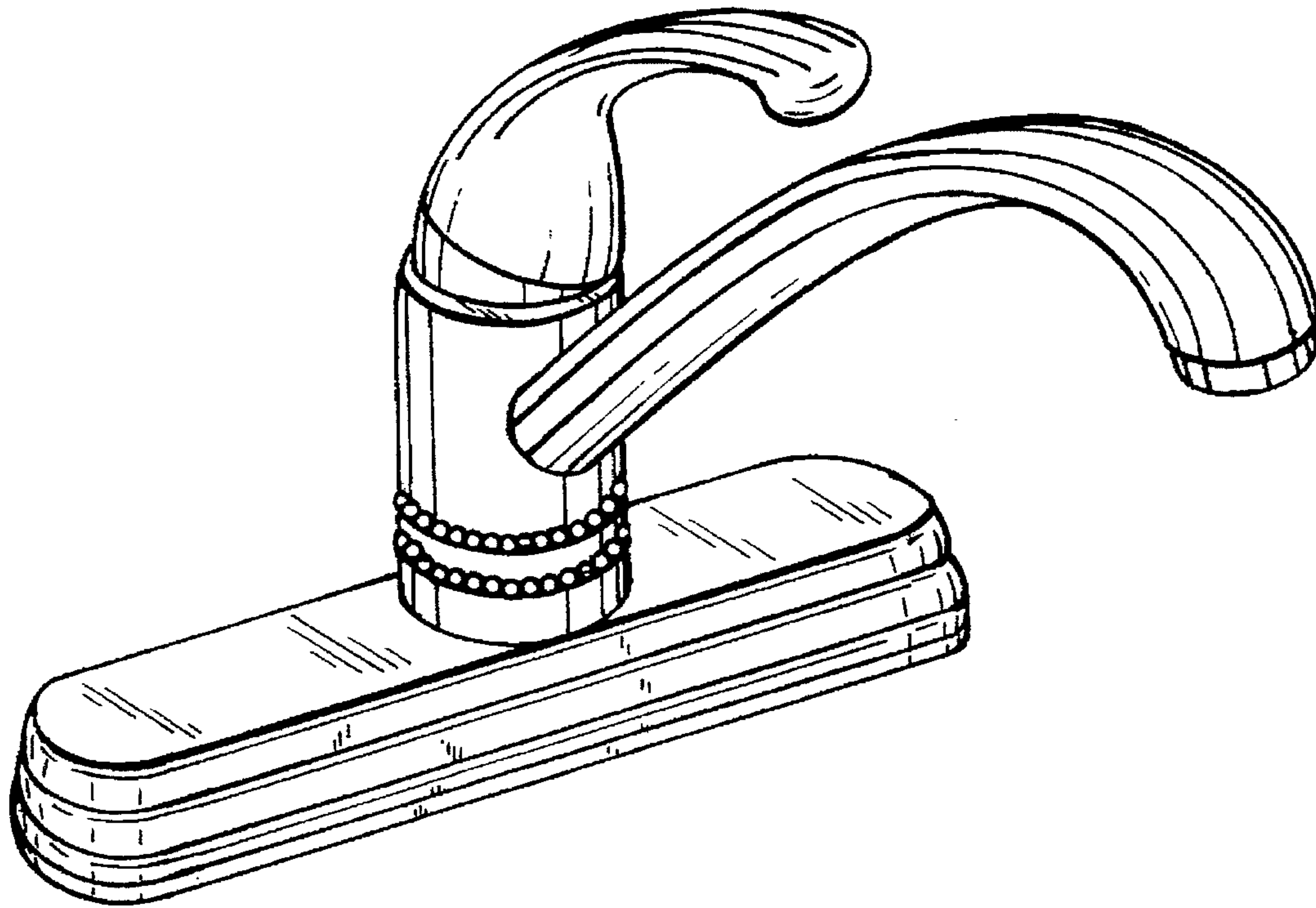


FIG. 1

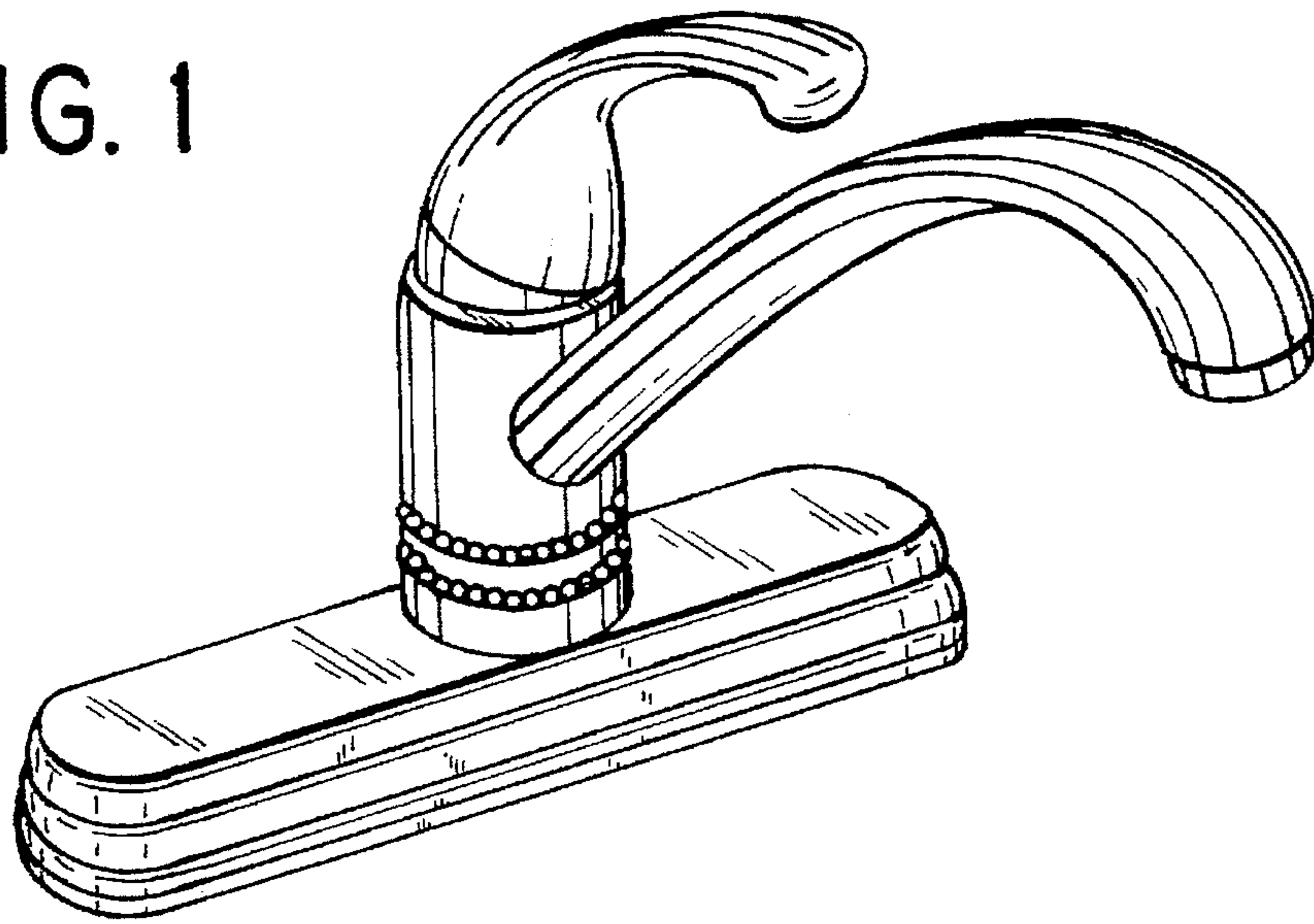


FIG. 2

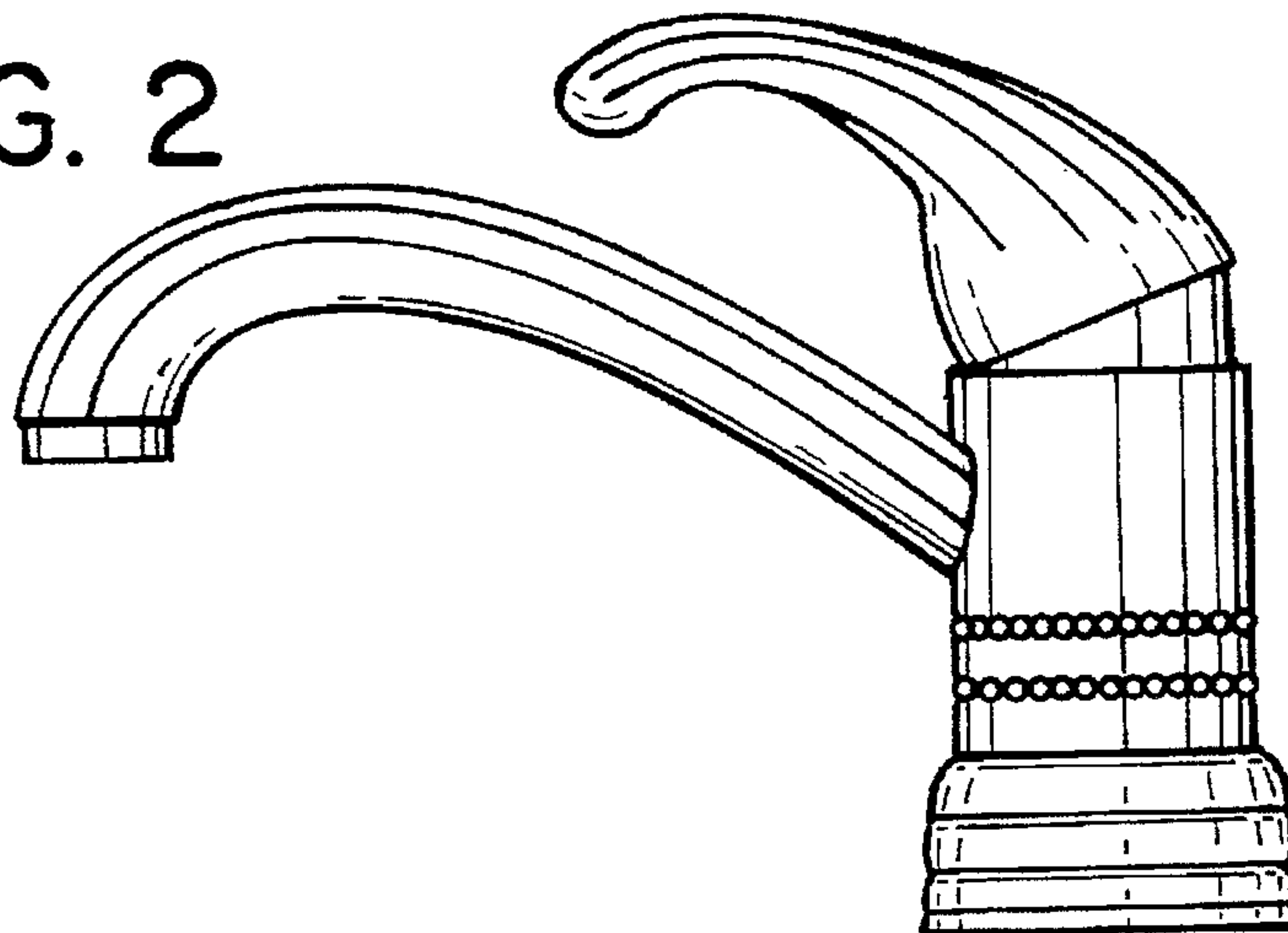


FIG. 3

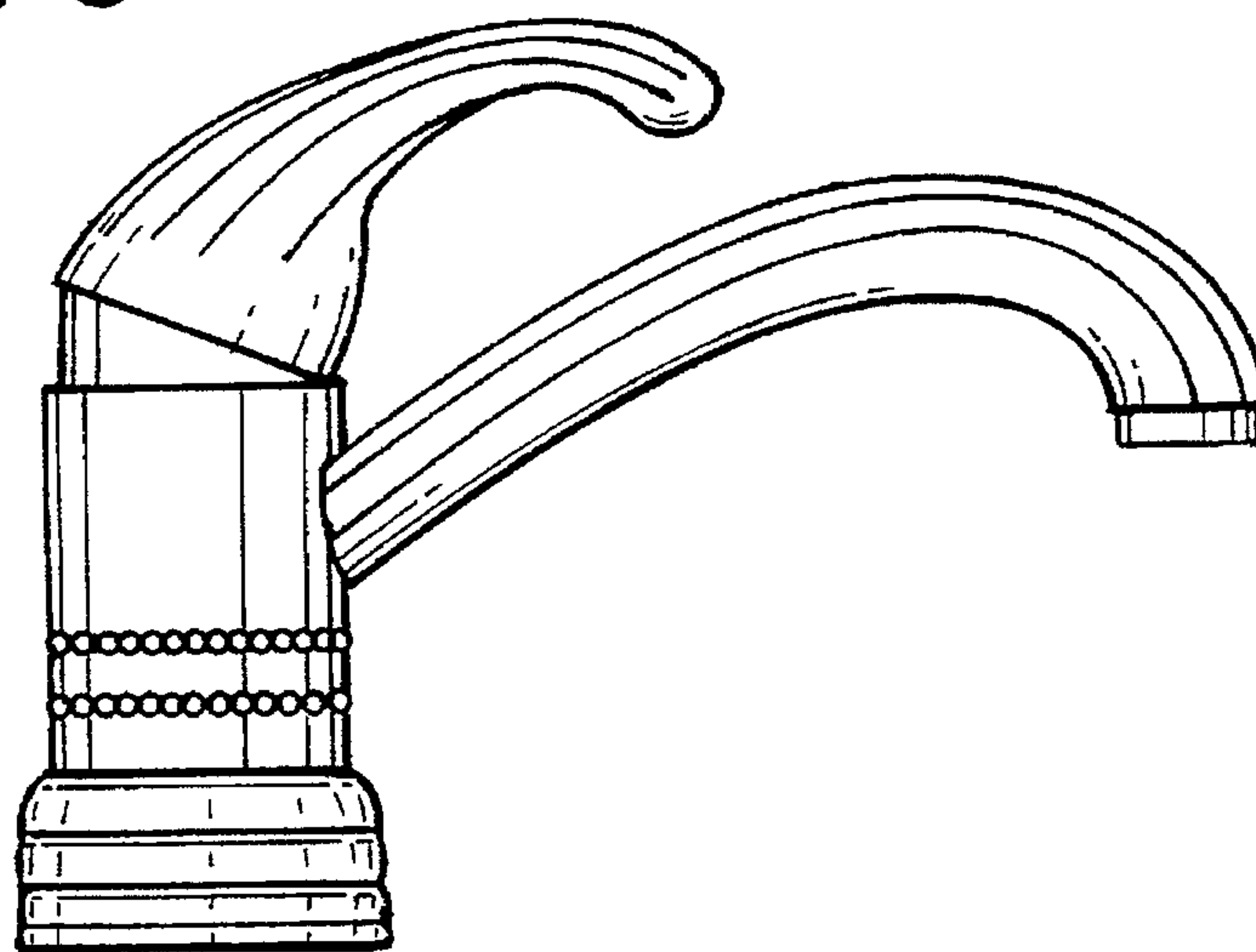


FIG. 4

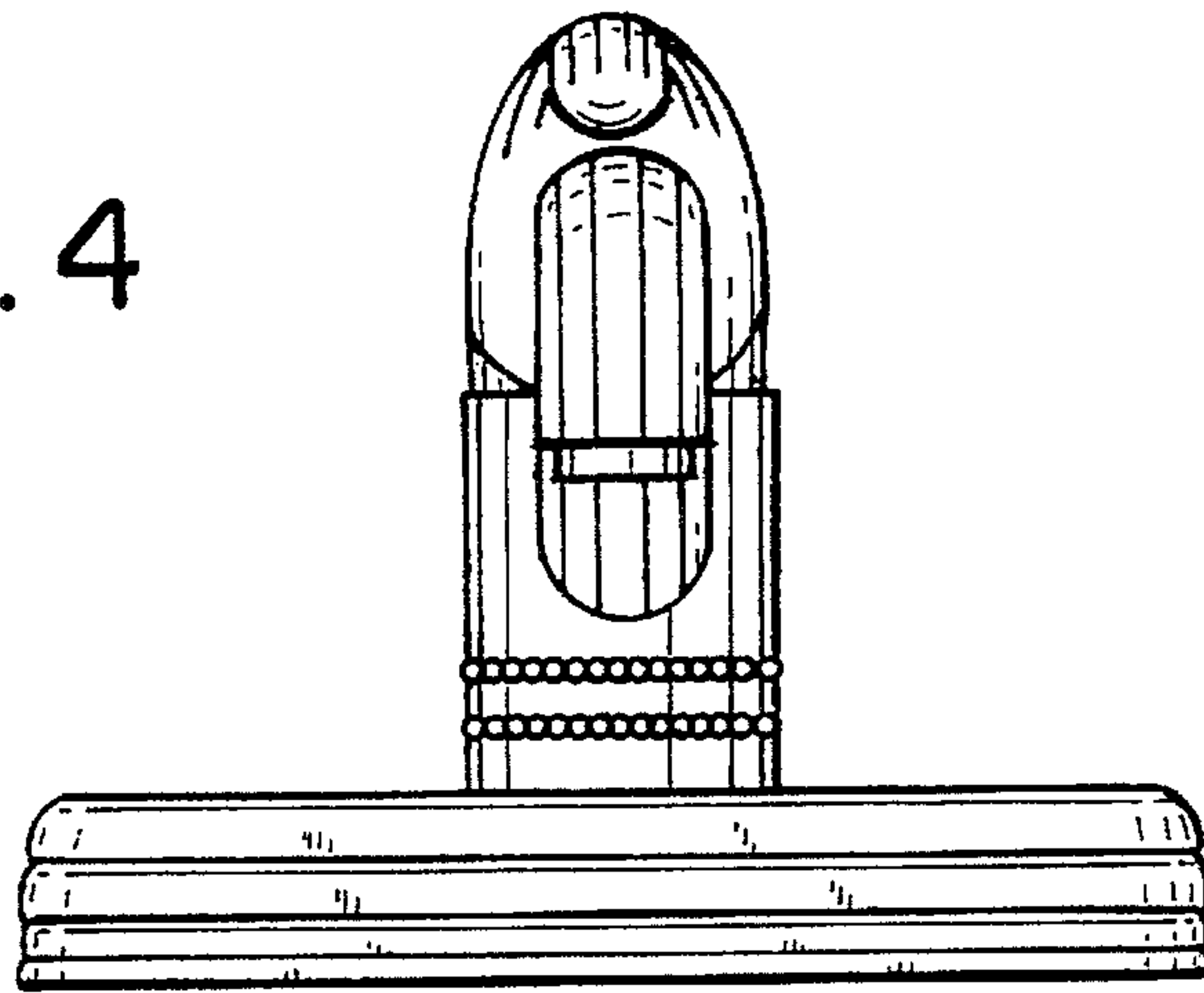


FIG. 5

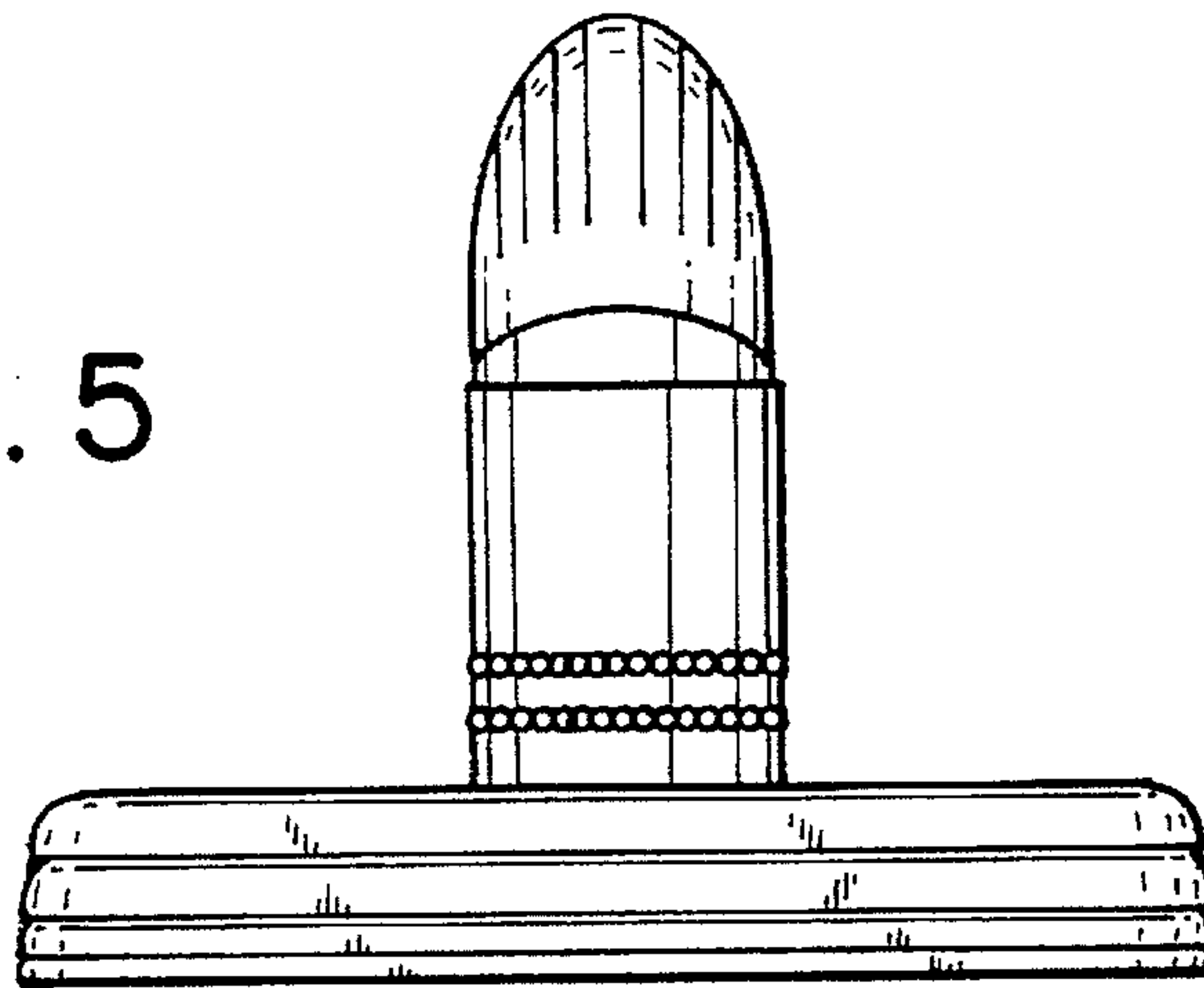


FIG. 6

