



US00D380250S

**United States Patent** [19]  
**LaVecchio**

[11] **Patent Number: Des. 380,250**

[45] **Date of Patent: \*\*Jun. 24, 1997**

[54] **KITCHEN SINK SHAPED FISHING LURE**

5,373,659 12/1994 Neese, Jr. .... D22/132 X

[76] Inventor: **Michael A. LaVecchio**, 93 Lamport Rd., Upper Darby, Pa. 19082

**OTHER PUBLICATIONS**

Borg, Warner, p. 2, Bennington Sink.

[\*\*] Term: **14 Years**

*Primary Examiner*—Doris V. Coles

[21] Appl. No.: **52,514**

[57] **CLAIM**

[22] Filed: **Apr. 1, 1996**

The ornamental design for a kitchen sink shaped fishing lure, as shown and described.

[51] LOC (6) Cl. .... **22-05**

**DESCRIPTION**

[52] U.S. Cl. .... **D22/132**

[58] **Field of Search** ..... D22/132, 126;  
43/44.94, 44.93, 42.48, 42.45, 42.35; D23/284,  
293.1

FIG. 1 is a front elevational view of the kitchen sink shaped fishing lure showing my new design;  
FIG. 2 is a rear elevational view thereof;  
FIG. 3 is a right view thereof;  
FIG. 4 is a left view thereof;  
FIG. 5 is a top plan view thereof;  
FIG. 6 is a bottom plan view thereof; and,  
FIG. 7 is an isometric view thereof.

[56] **References Cited**

**U.S. PATENT DOCUMENTS**

- D. 217,968 7/1970 Armstrong ..... D23/293.1
- D. 274,350 6/1984 Schaaf ..... D22/132
- D. 298,452 11/1988 Carter ..... D23/293.1
- D. 319,689 9/1991 Levien ..... D23/293.1

**1 Claim, 4 Drawing Sheets**

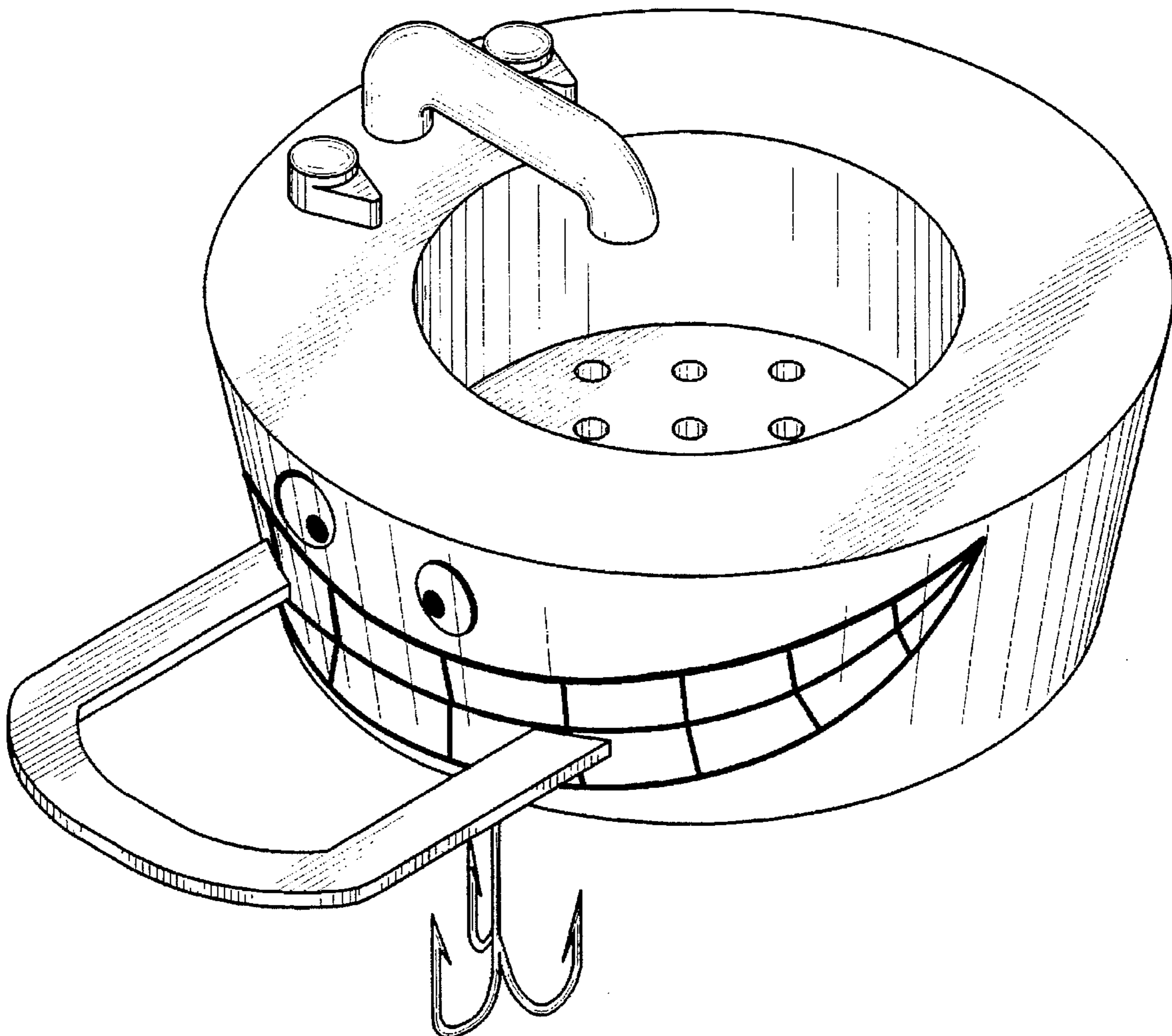


FIG. 1

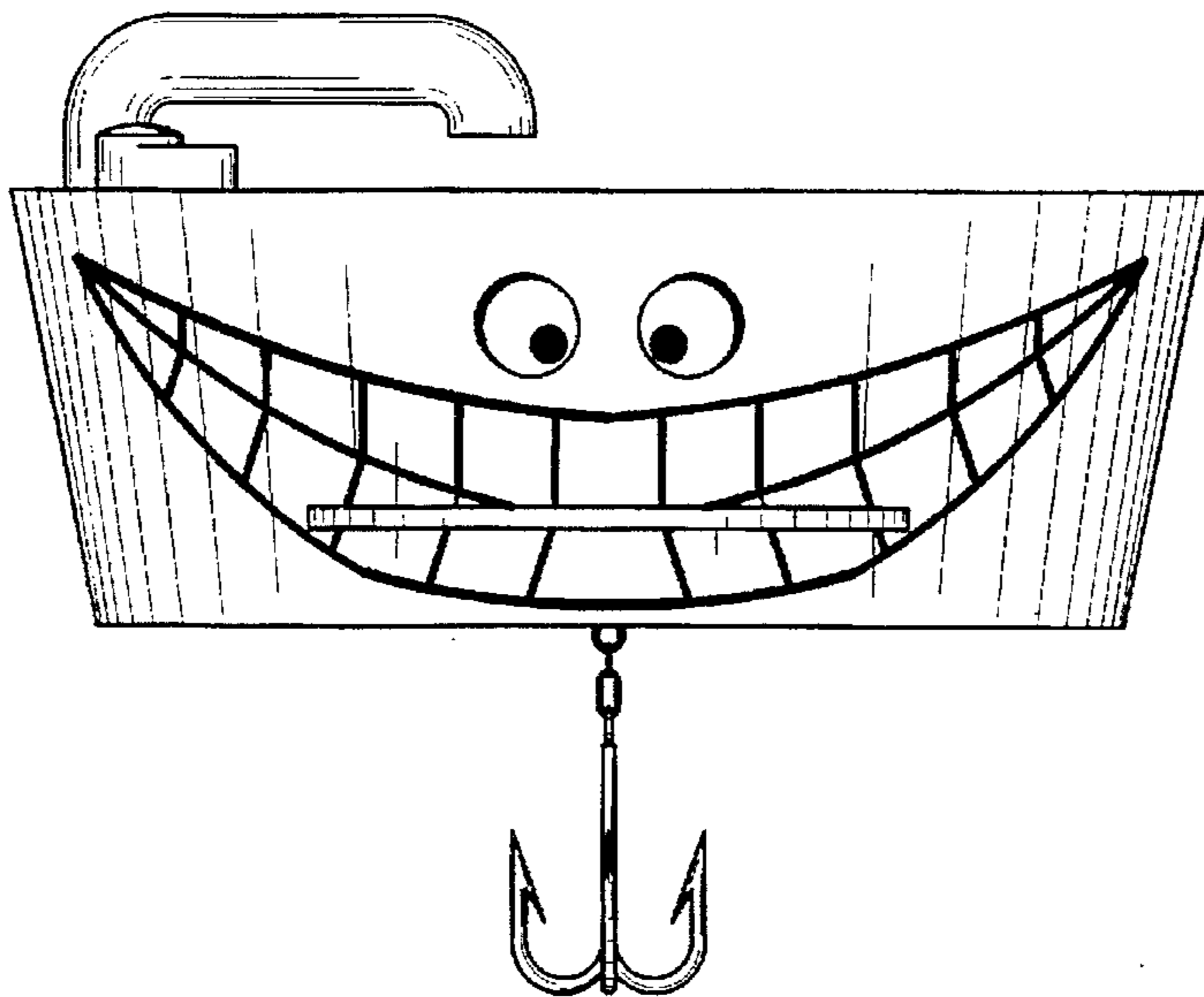


FIG. 2

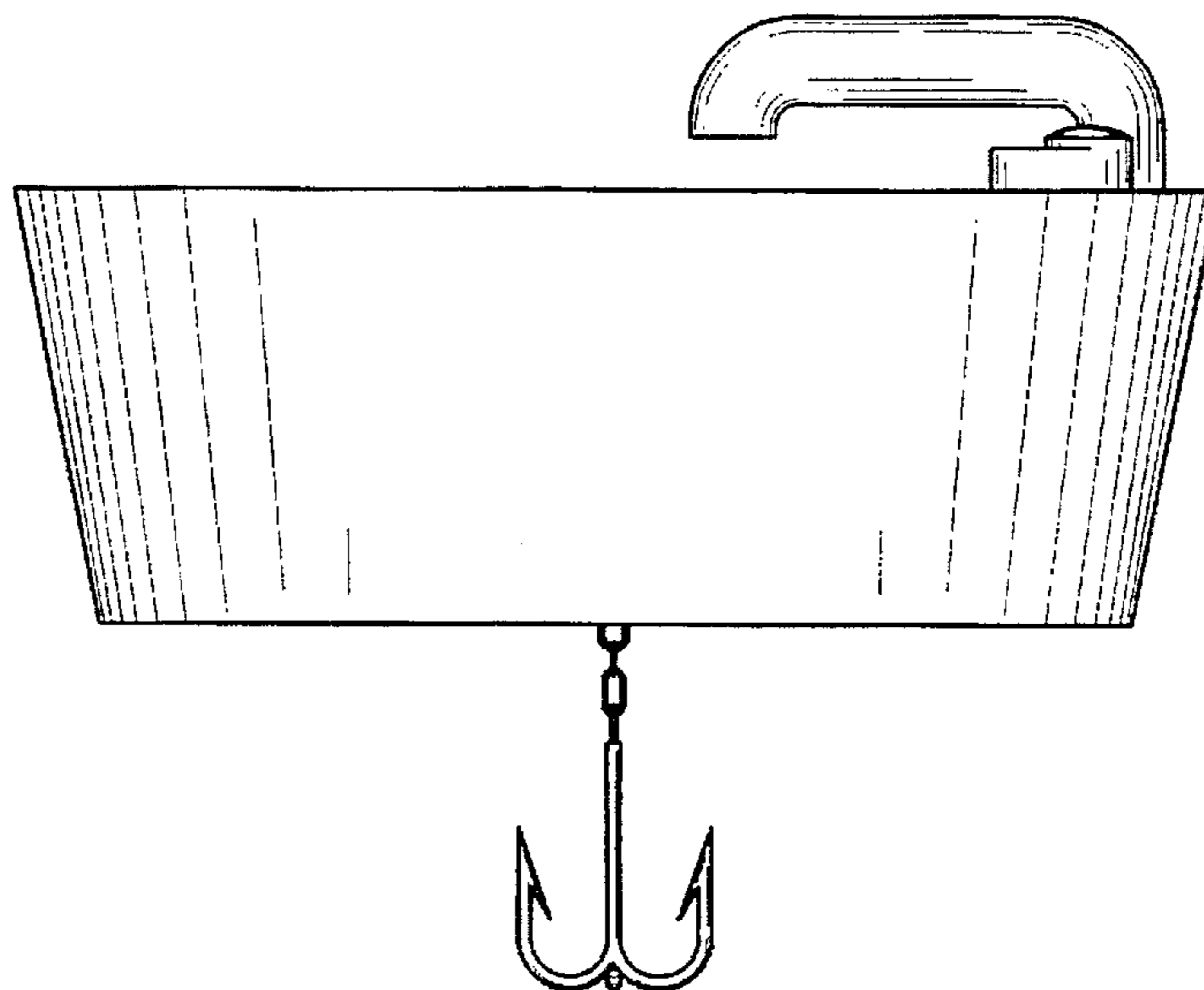


FIG. 3

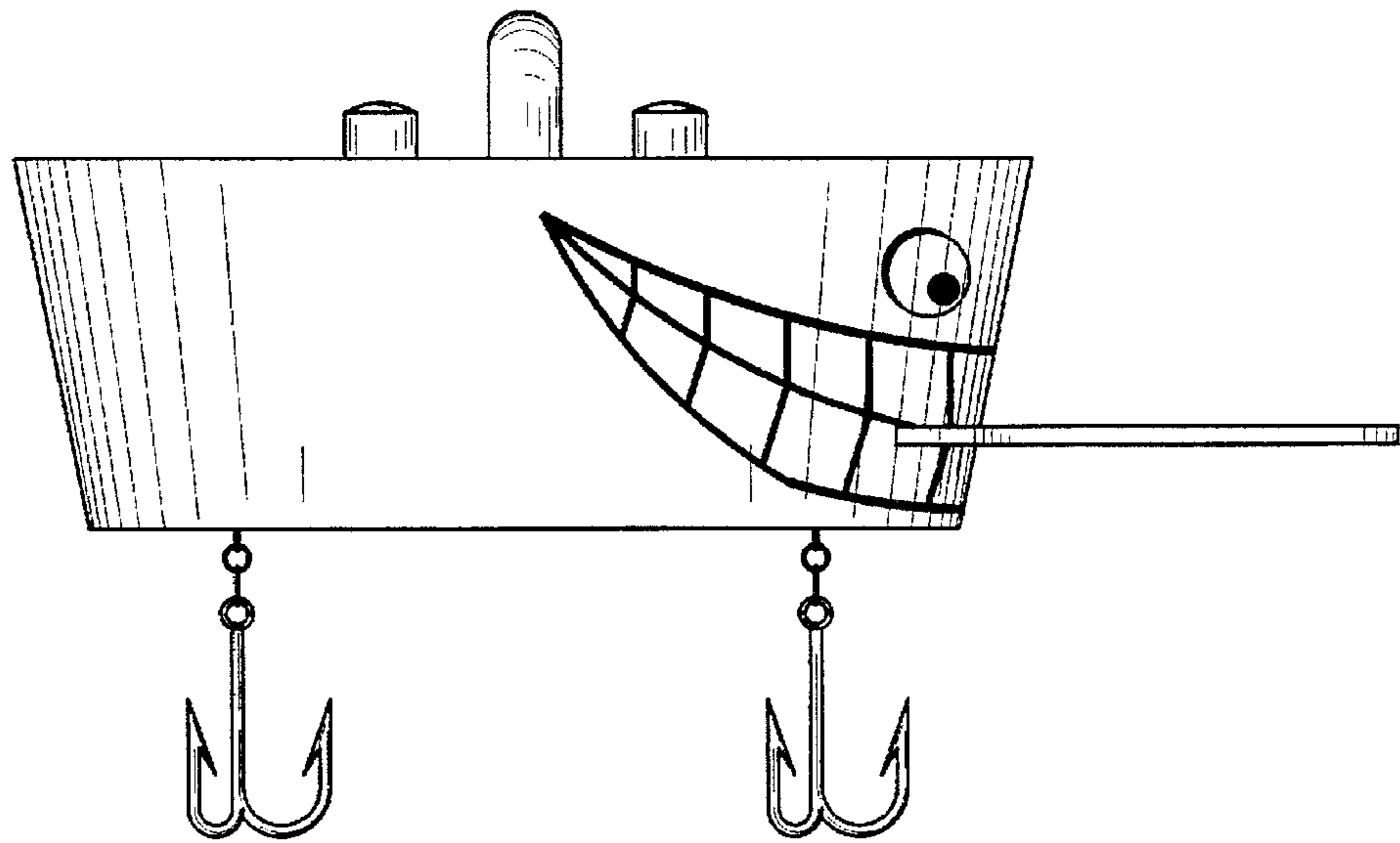


FIG. 4

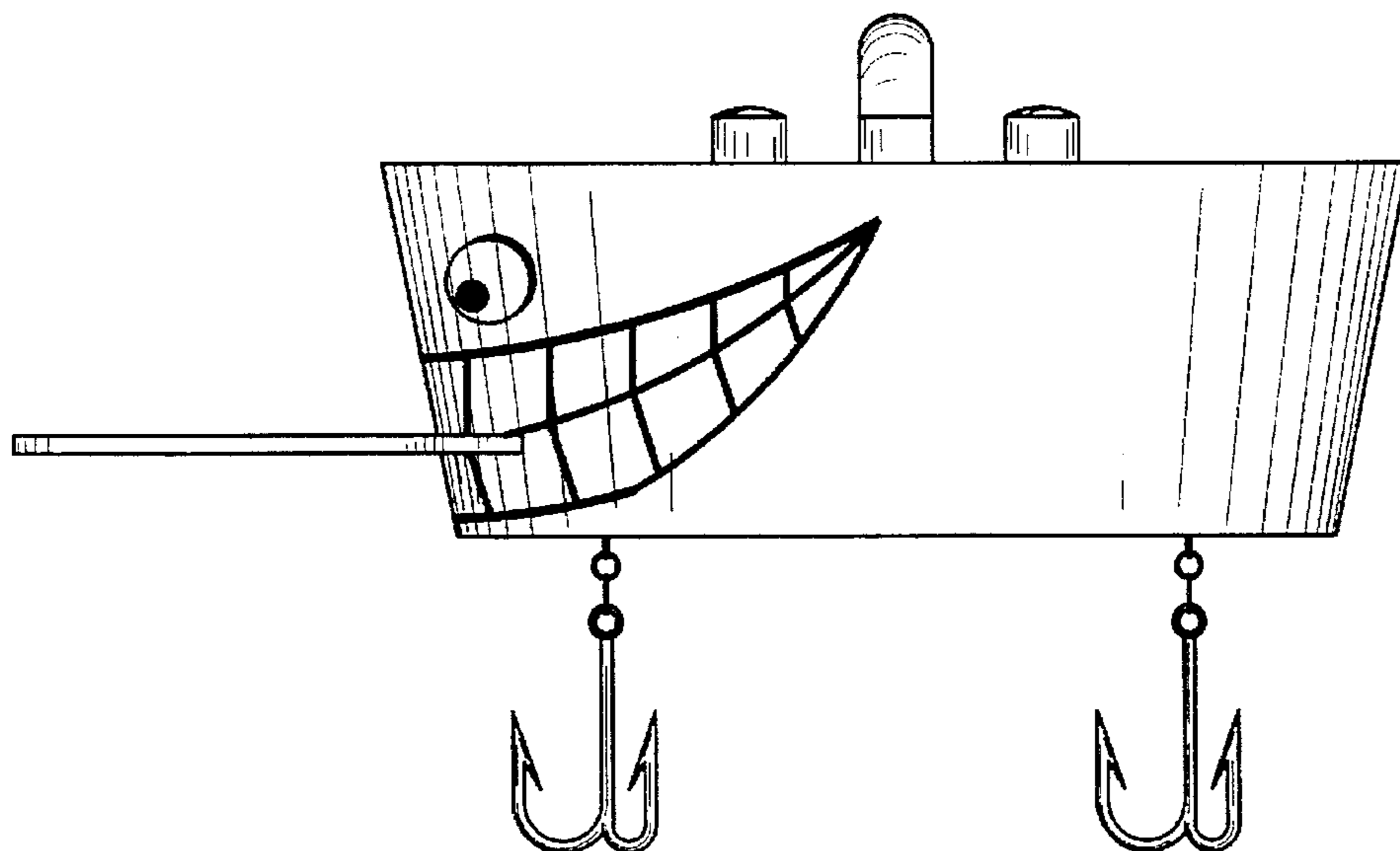


FIG. 5

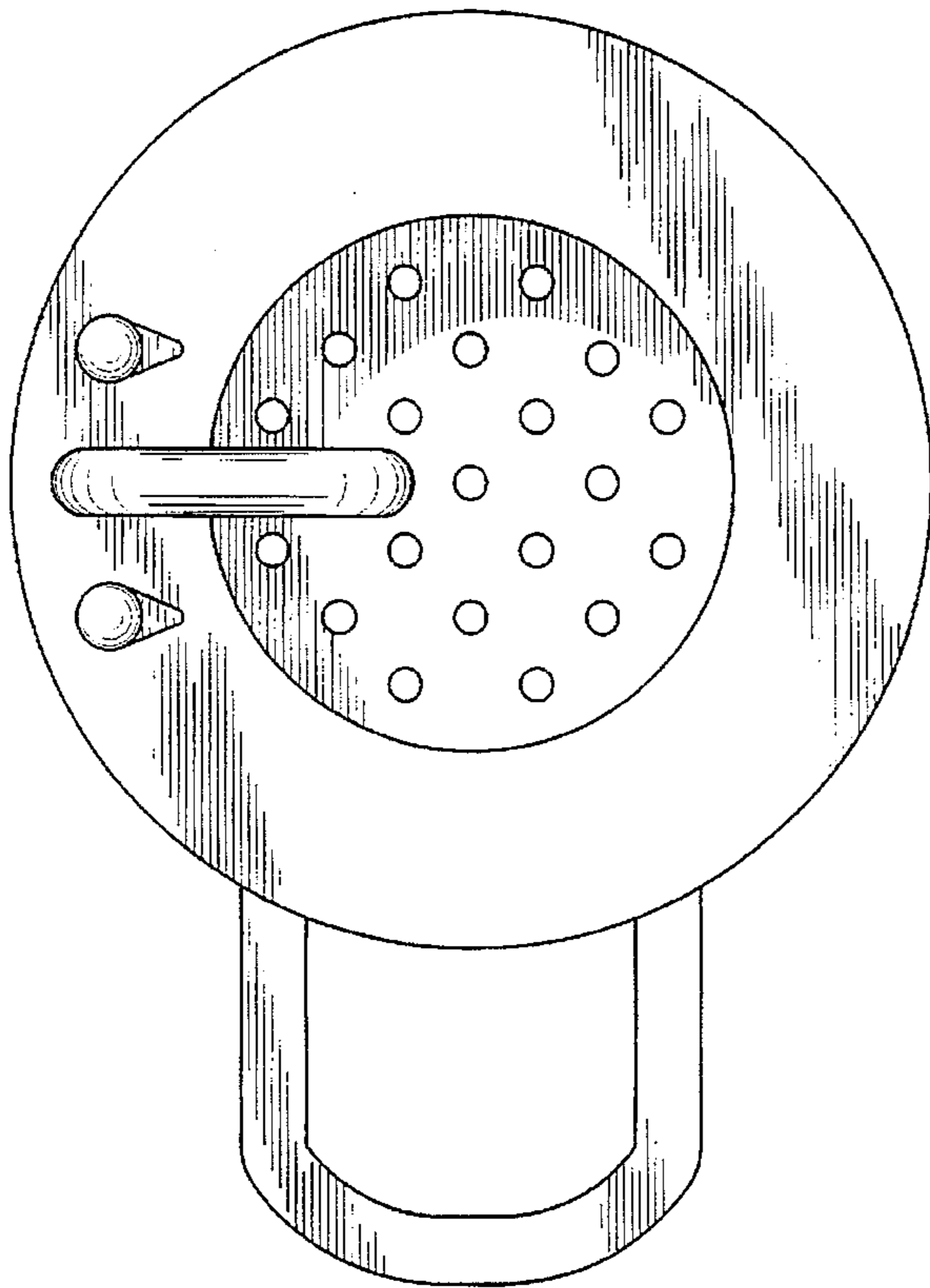


FIG. 6

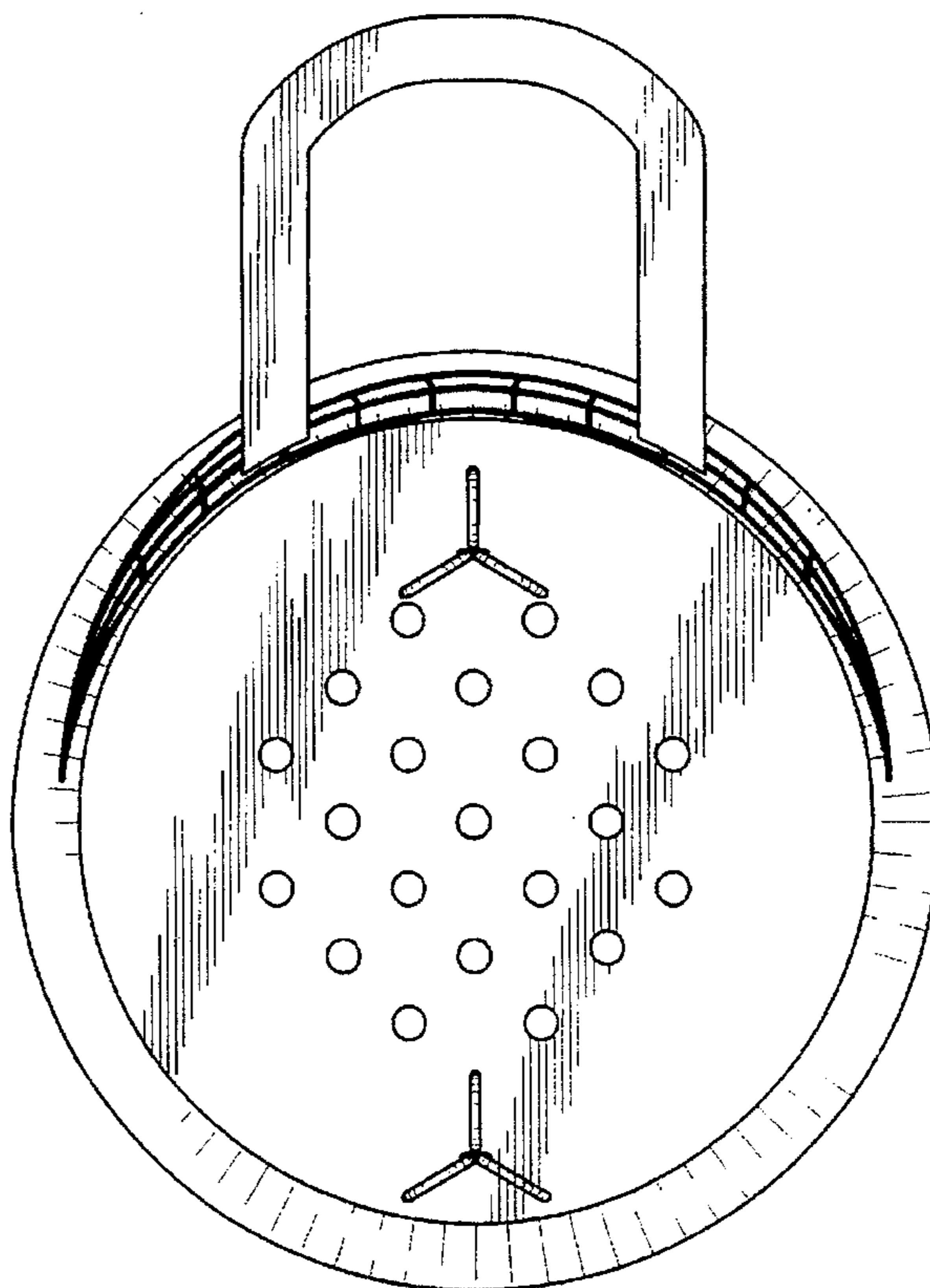


FIG. 7

