



US00D380249S

United States Patent [19]

[11] Patent Number: Des. 380,249

Bingham et al.

[45] Date of Patent: **Jun. 24, 1997

[54] RECOIL SPRING PLUG

[76] Inventors: **John R. Bingham**, 9300 Ensley La.,
Leawood, Kans. 66209; **William R. Freeman**, 9405 Cottonwood, Leawood,
Kans. 66215

[**] Term: 14 Years

[21] Appl. No.: 21,364

[22] Filed: Apr. 14, 1994

[51] LOC (6) Cl. 22-01

[52] U.S. Cl. D22/108; D22/100

[58] Field of Search D22/108; 42/16,
42/17, 1.06, 74; 89/44.01, 163, 196, 198

[56] **References Cited**

U.S. PATENT DOCUMENTS

803,389 10/1905 Bernard 42/17
3,901,125 8/1975 Raville 89/163

OTHER PUBLICATIONS

Catalog for Denny's Shooters Supply, p. 15, believed to be for 1994.

Primary Examiner—Louis S. Zarfes
Assistant Examiner—Monica A. Weingart
Attorney, Agent, or Firm—Shook, Hardy & Bacon L.L.P.

[57] **CLAIM**

The ornamental design for a recoil spring plug, as shown and described.

DESCRIPTION

FIG. 1 is a top perspective view of a recoil spring plug embodying our new design;

FIG. 2 is a bottom perspective view thereof taken from the end opposite that shown in FIG. 1;

FIG. 3 is a side elevational view thereof, the side opposite being a mirror image of the side shown;

FIG. 4 is a top plan view thereof;

FIG. 5 is a bottom plan view thereof;

FIG. 6 is a rear end elevational view thereof; and,

FIG. 7 is a front end elevational view thereof.

1 Claim, 1 Drawing Sheet

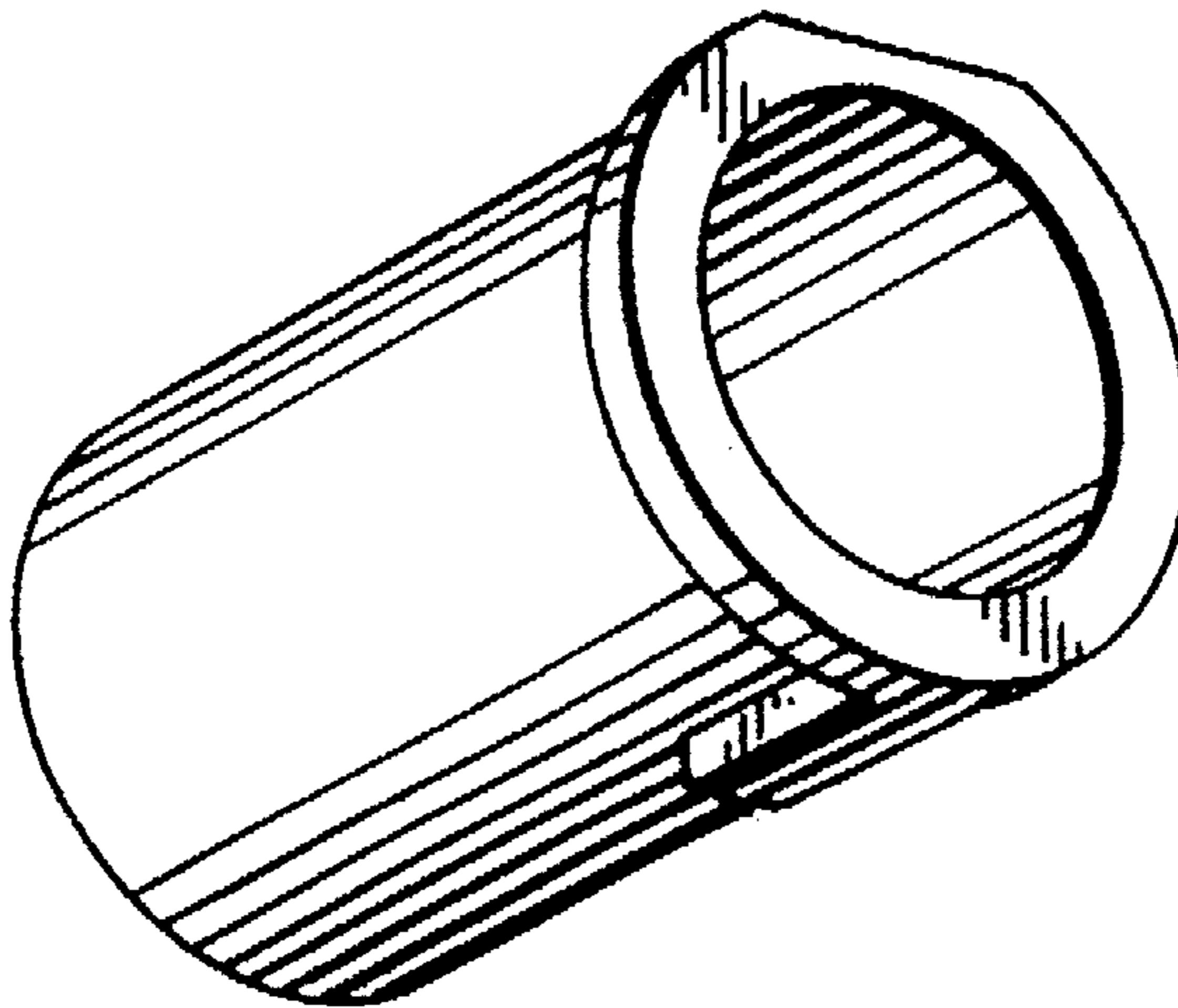


Fig. 1.

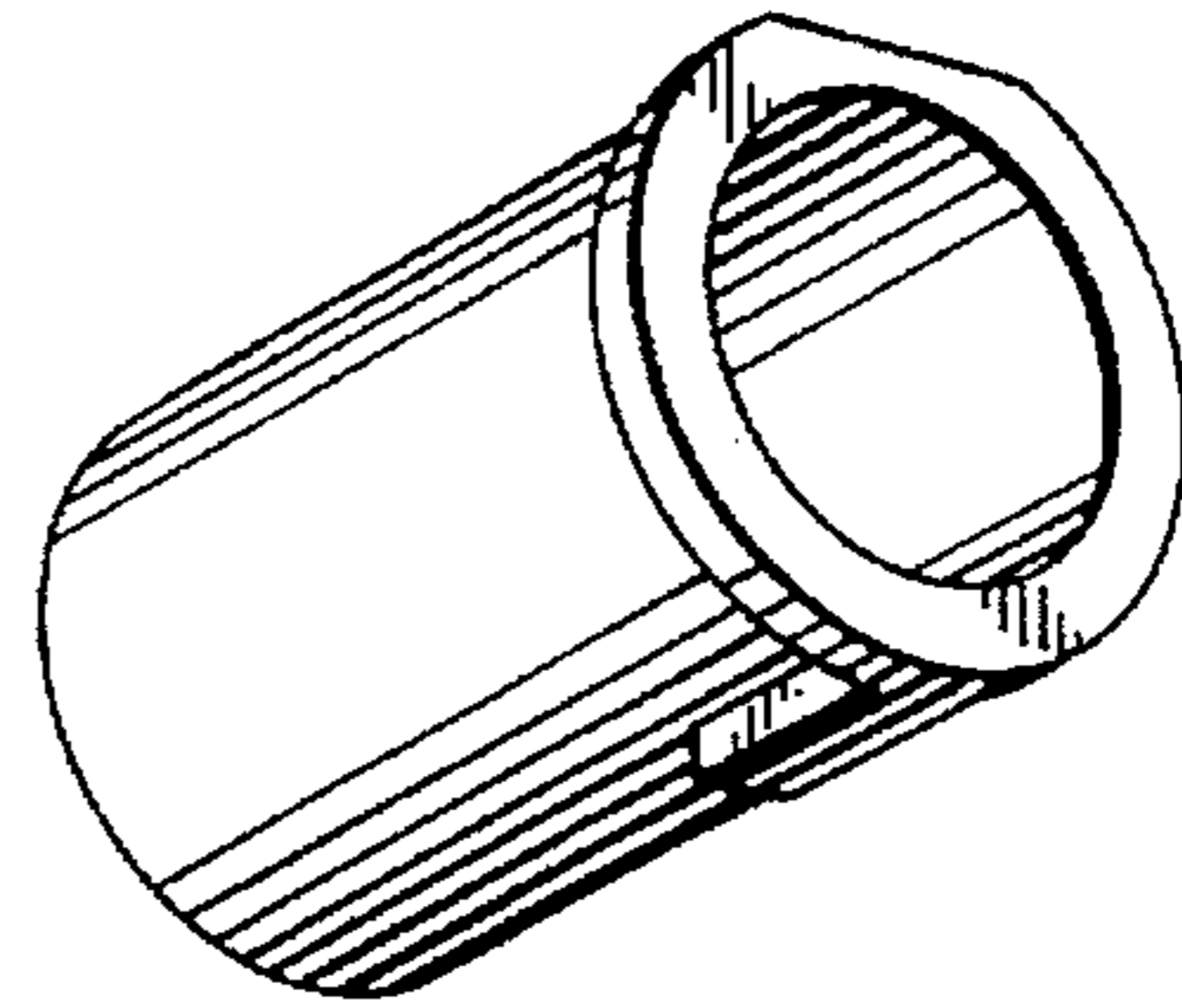
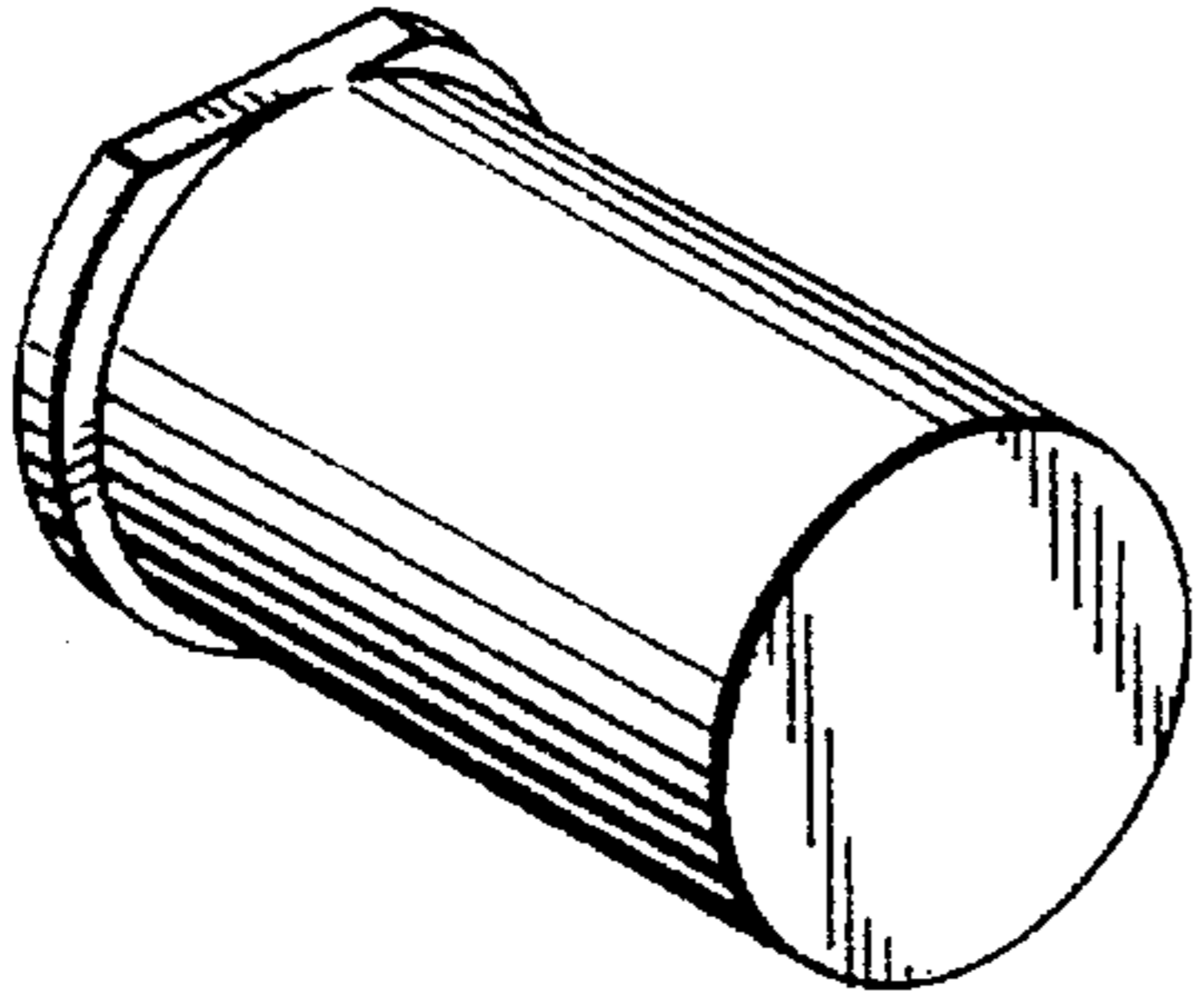


Fig. 2.

Fig. 3.

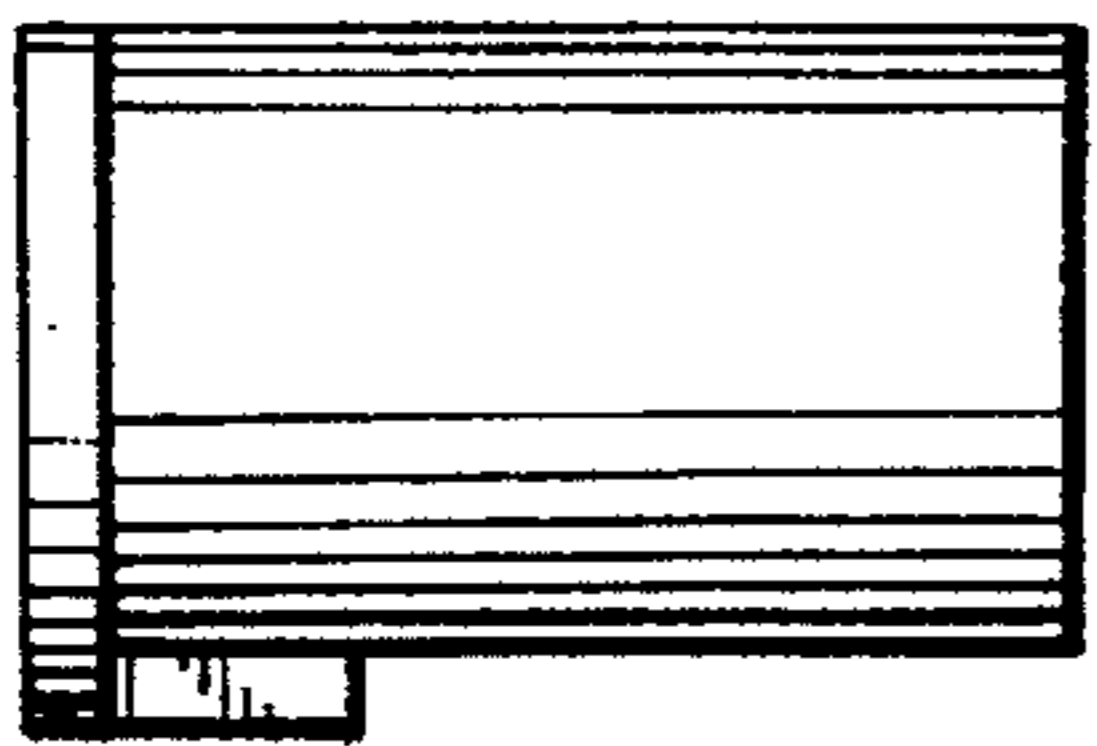


Fig. 4.

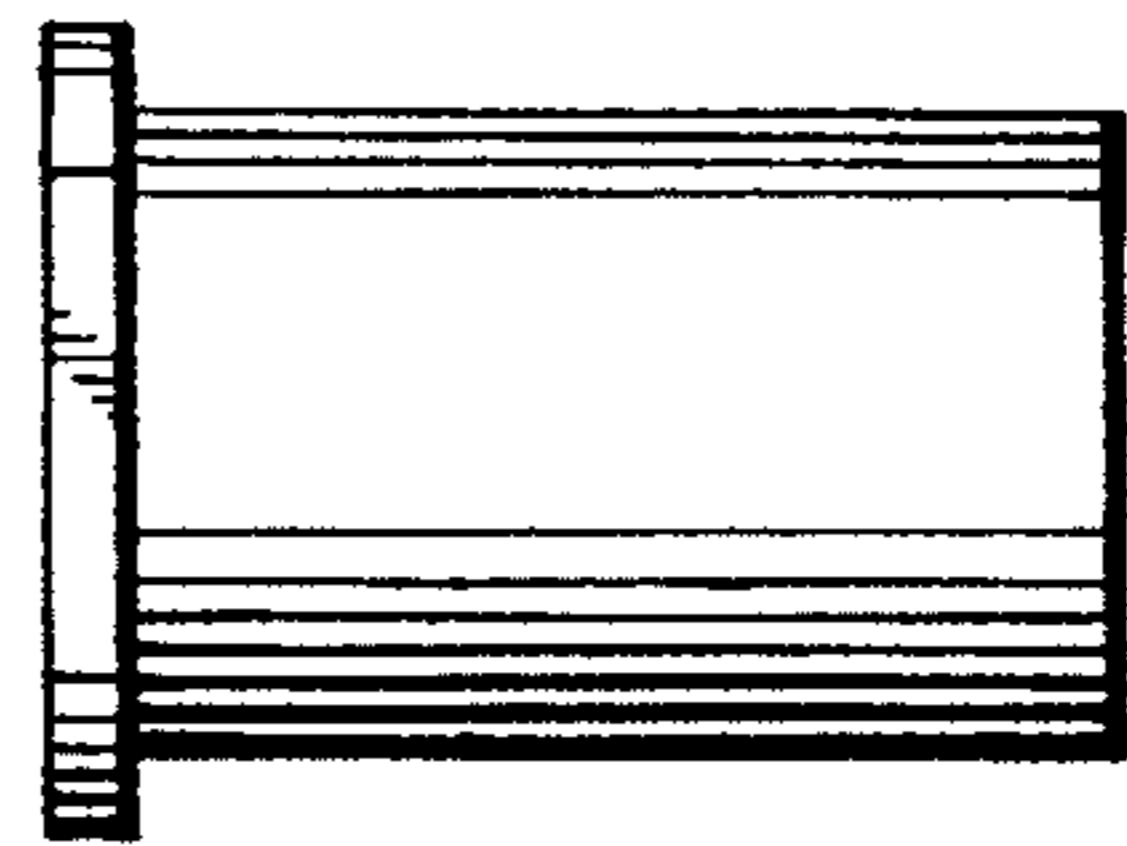


Fig. 5.

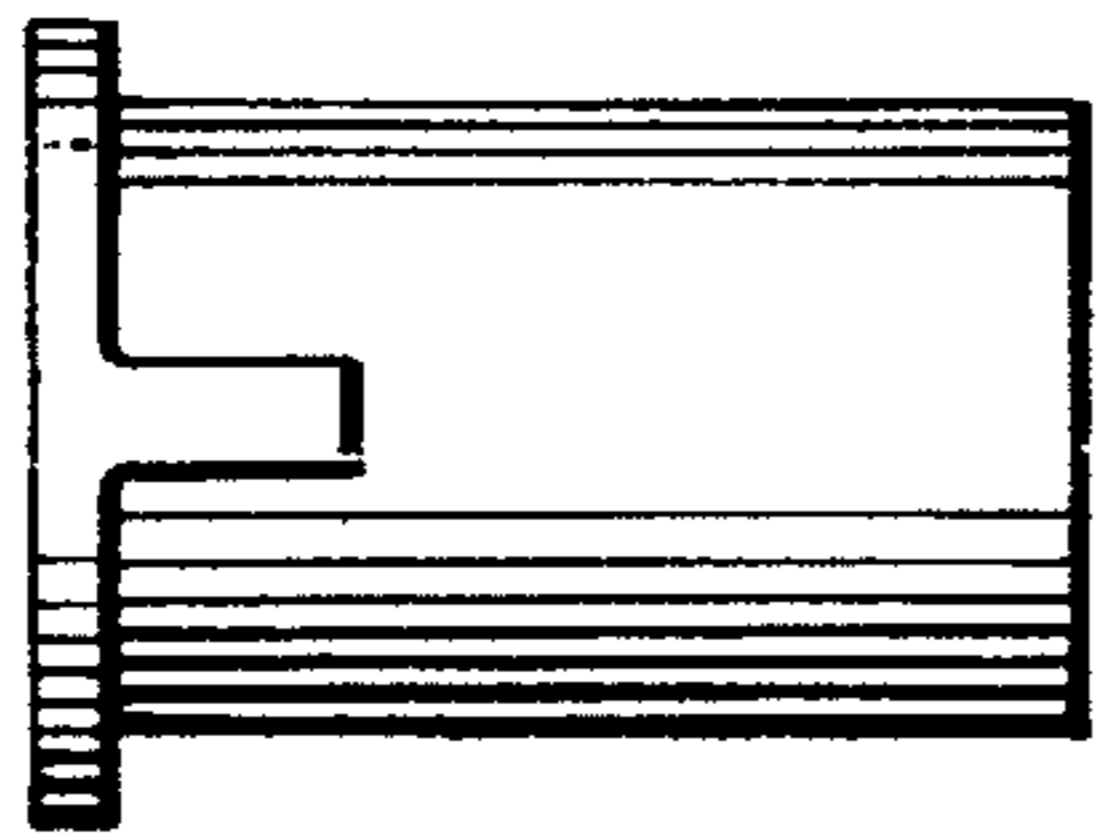


Fig. 6.

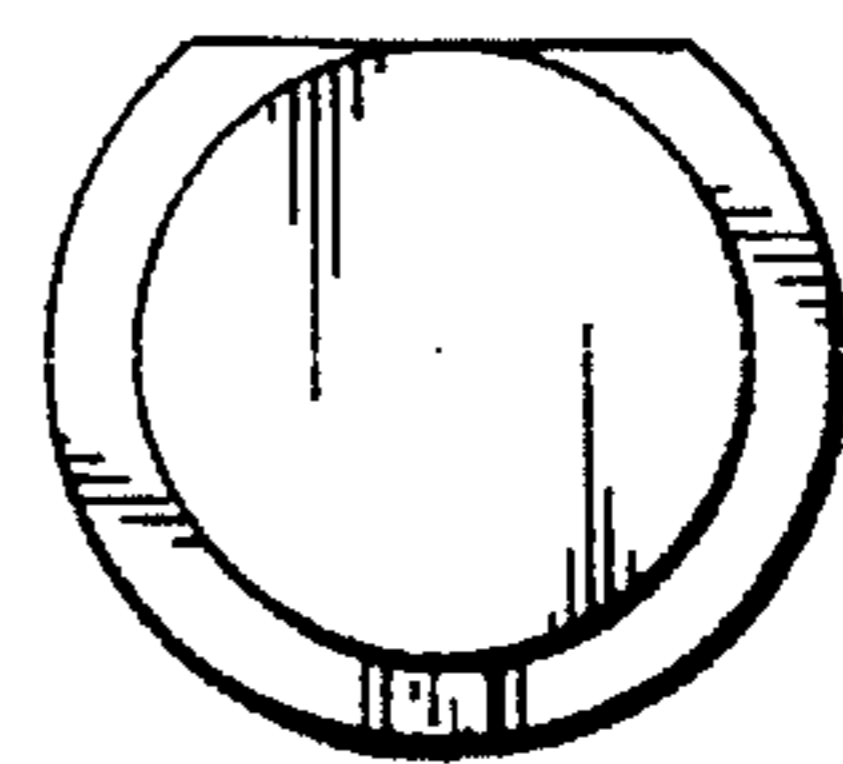


Fig. 7.

