



US00D380248S

United States Patent [19]

[11] Patent Number: **Des. 380,248**

Morris

[45] Date of Patent: ****Jun. 24, 1997**

[54] **LOCOMOTIVE PLAYHOUSE SLIDE**

Attorney, Agent, or Firm—Locke Reynolds

[76] Inventor: **Richard D. Morris**, R.R. 1, Box 576,
Linton, Ind. 47441

[57] **CLAIM**

[**] Term: **14 Years**

The ornamental design for a locomotive playhouse slide, as shown and described.

[21] Appl. No.: **49,352**

DESCRIPTION

[22] Filed: **Jan. 23, 1996**

FIG. 1 is a side elevation view of a locomotive playhouse slide constructed in accordance with my design to imitate a locomotive;

[51] LOC (6) Cl. **21-03**

FIG. 2 is a side elevation view of the side opposite that shown in FIG. 1;

[52] U.S. Cl. **D21/244**

FIG. 3 is an end elevation view of the locomotive playhouse slide taken from the left side of FIG. 1;

[58] Field of Search D21/240, 244,
D21/247, 250, 129; 472/116, 117, 130;
446/467

FIG. 4 is an end elevation view of the locomotive playhouse slide taken from the right side of FIG. 1;

[56] **References Cited**

FIG. 5 is a top plan view of the locomotive playhouse slide shown in FIG. 1;

U.S. PATENT DOCUMENTS

FIG. 6 is a bottom plan view of the locomotive playhouse slide shown in FIG. 1;

- D. 252,233 6/1979 Leon et al. D21/240
- D. 321,922 11/1991 Basore et al. D21/244
- D. 348,299 6/1994 Mirabella et al. D21/240
- D. 351,447 10/1994 Barnes D21/245 X

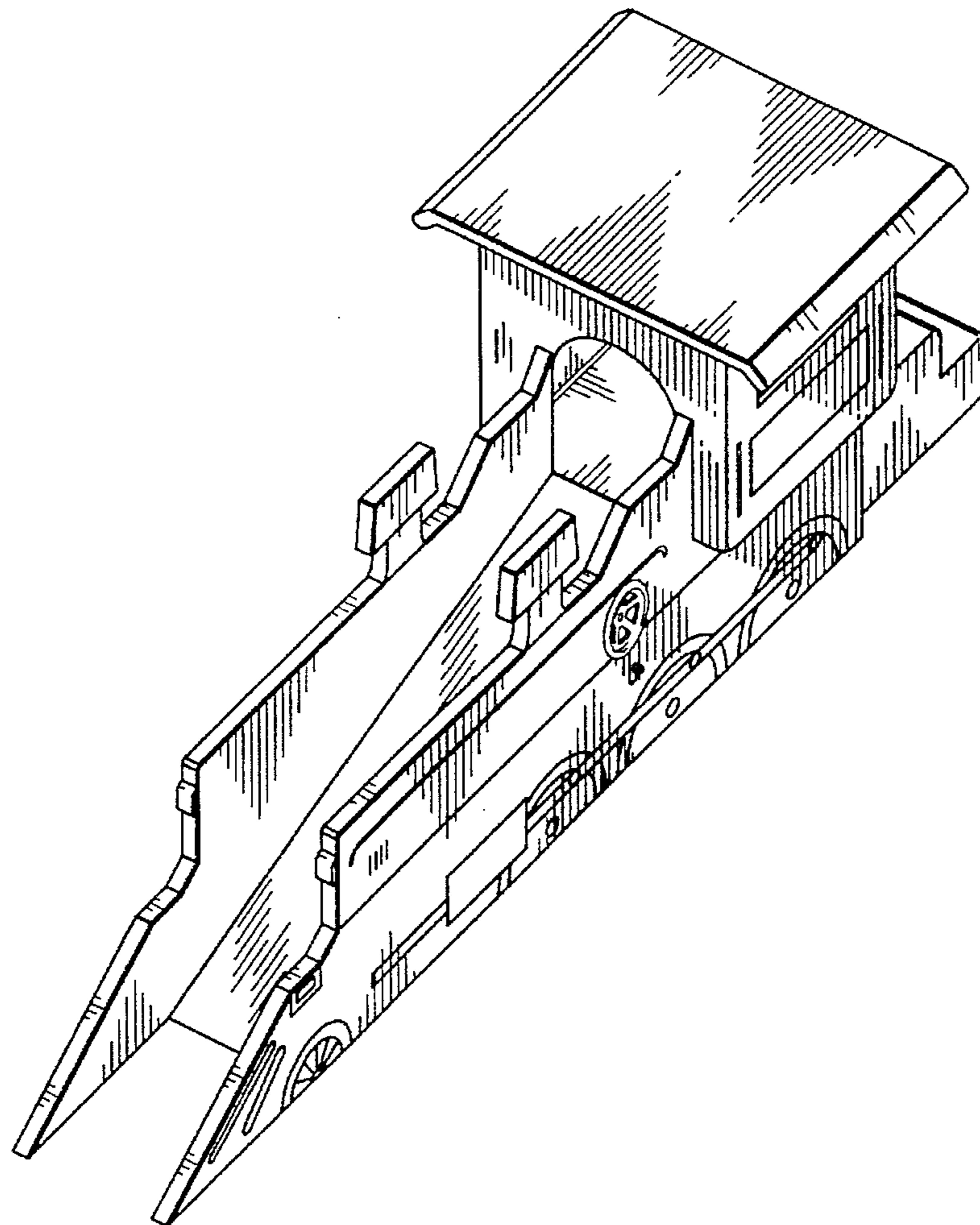
FIG. 7 is a perspective view of the locomotive playhouse slide taken from the upper right of FIG. 1; and,

FIG. 8 is a perspective view of the locomotive playhouse slide taken from the upper left of FIG. 1.

Primary Examiner—Ted Shooman

Assistant Examiner—Mitchell I. Siegel

1 Claim, 7 Drawing Sheets



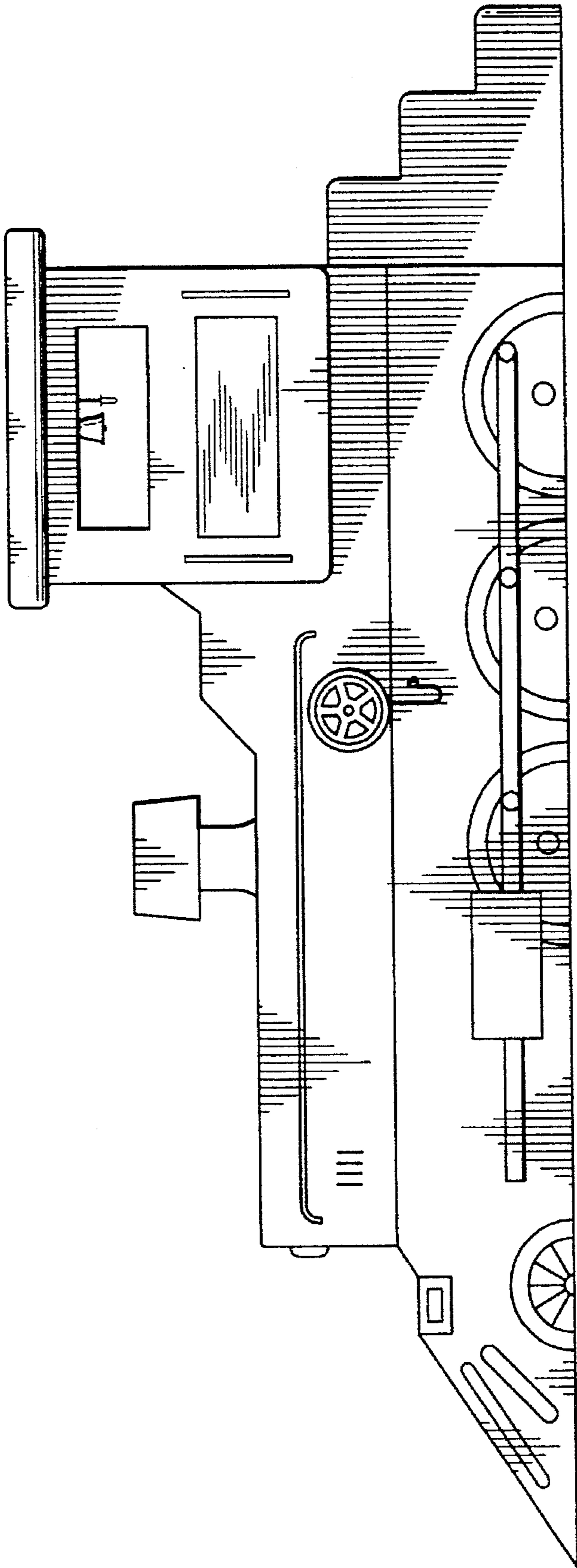


Fig. 1

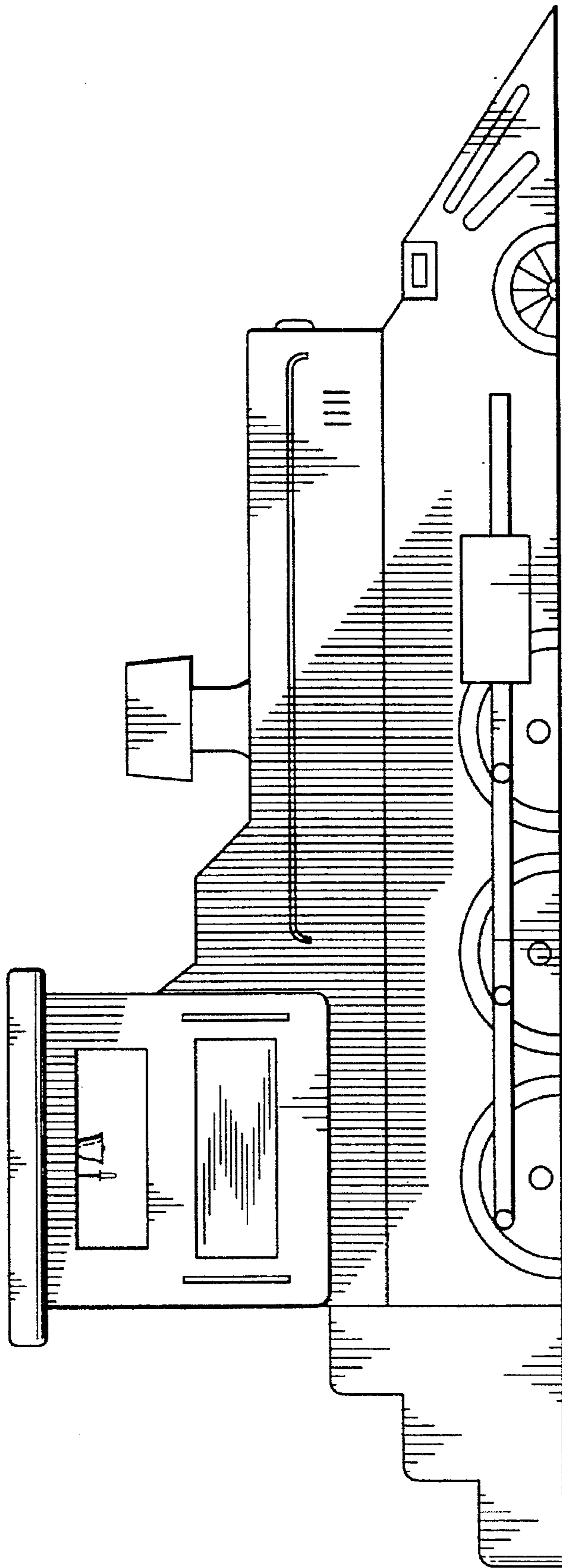


Fig. 2

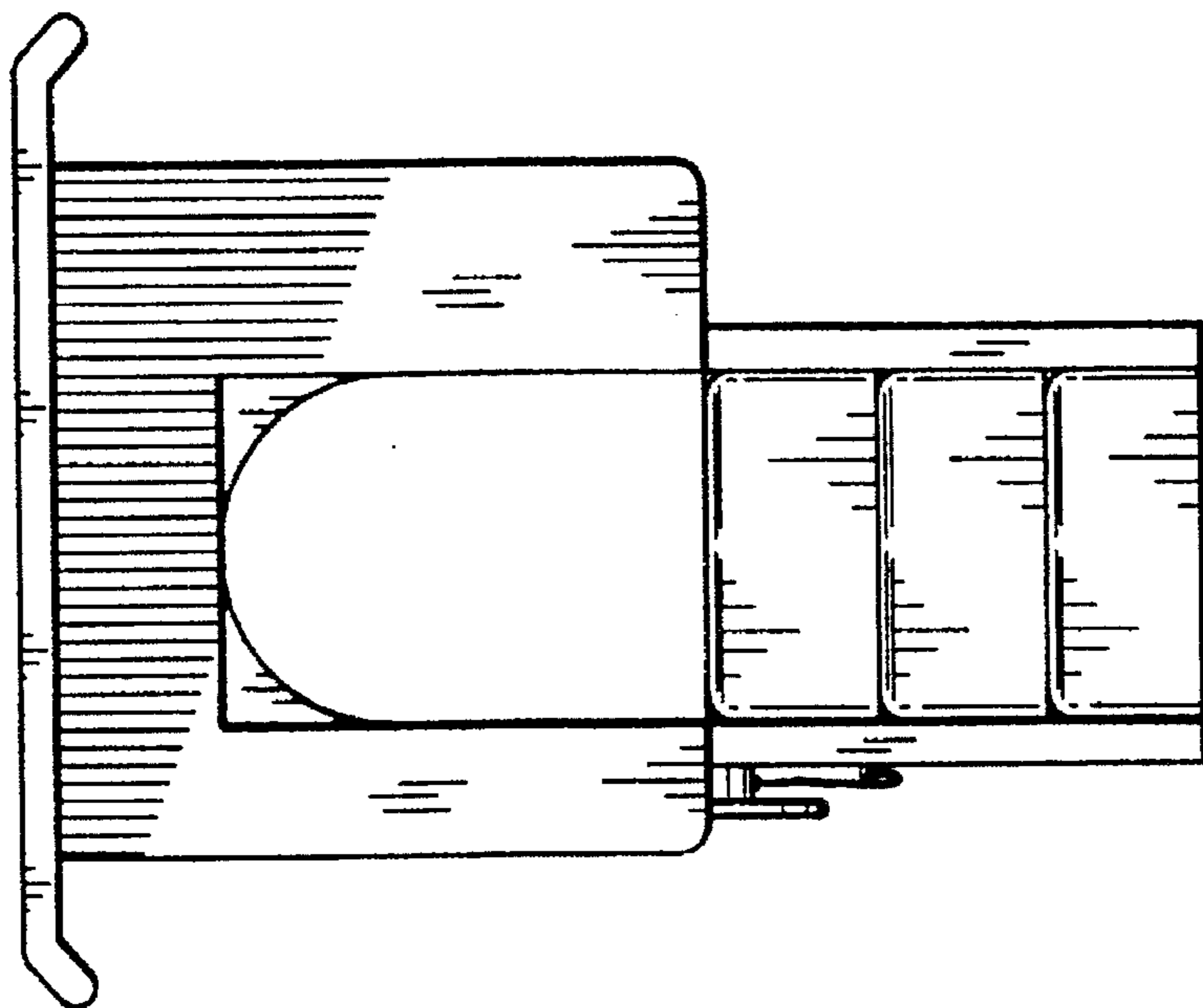


Fig. 4

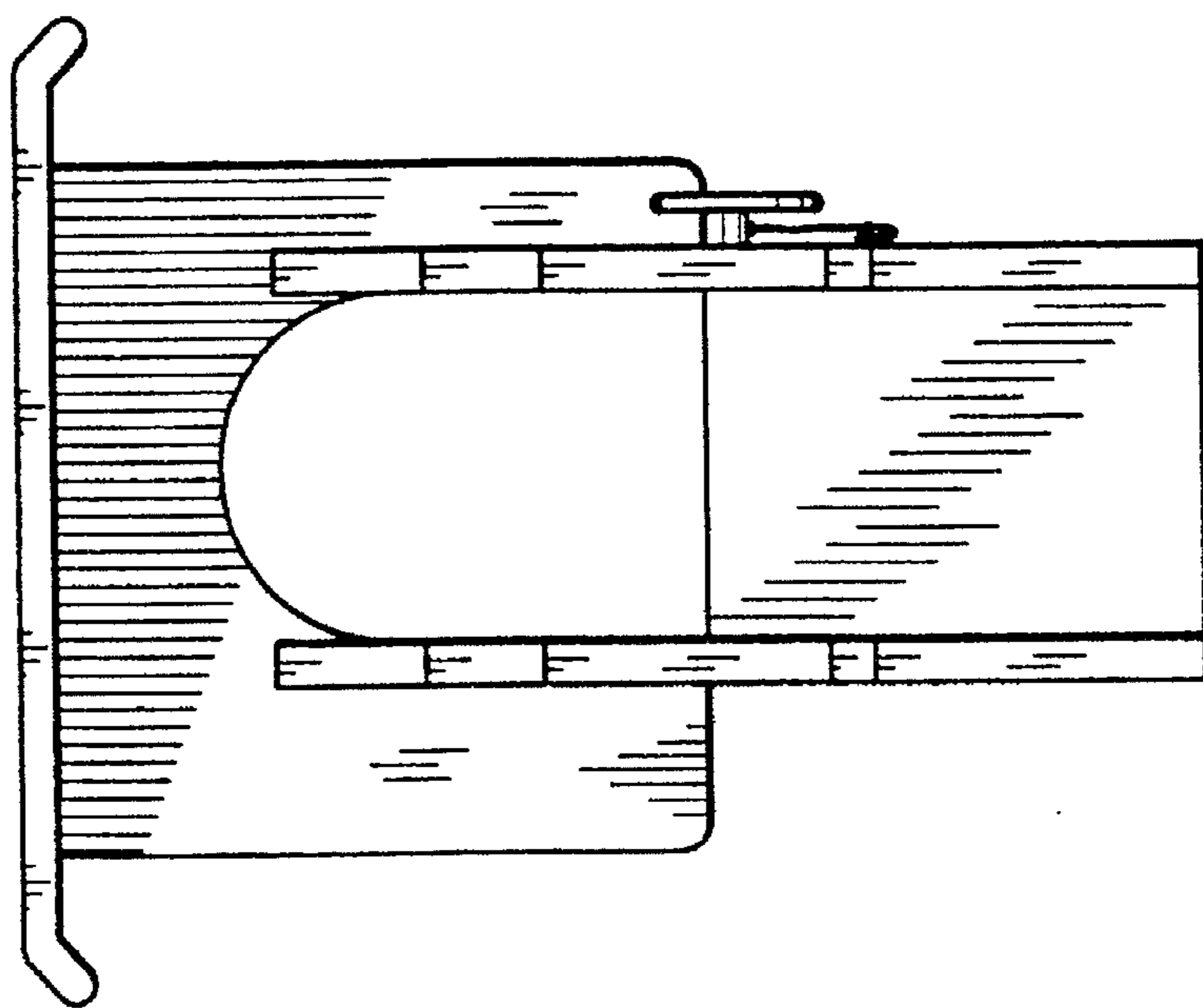


Fig. 3

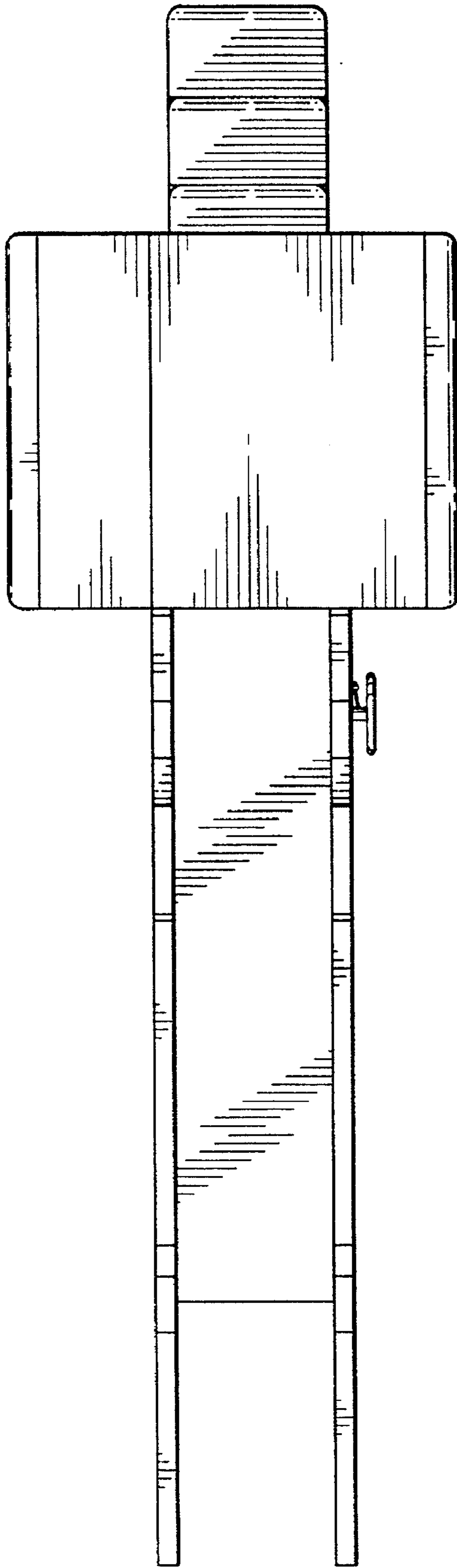


Fig. 5

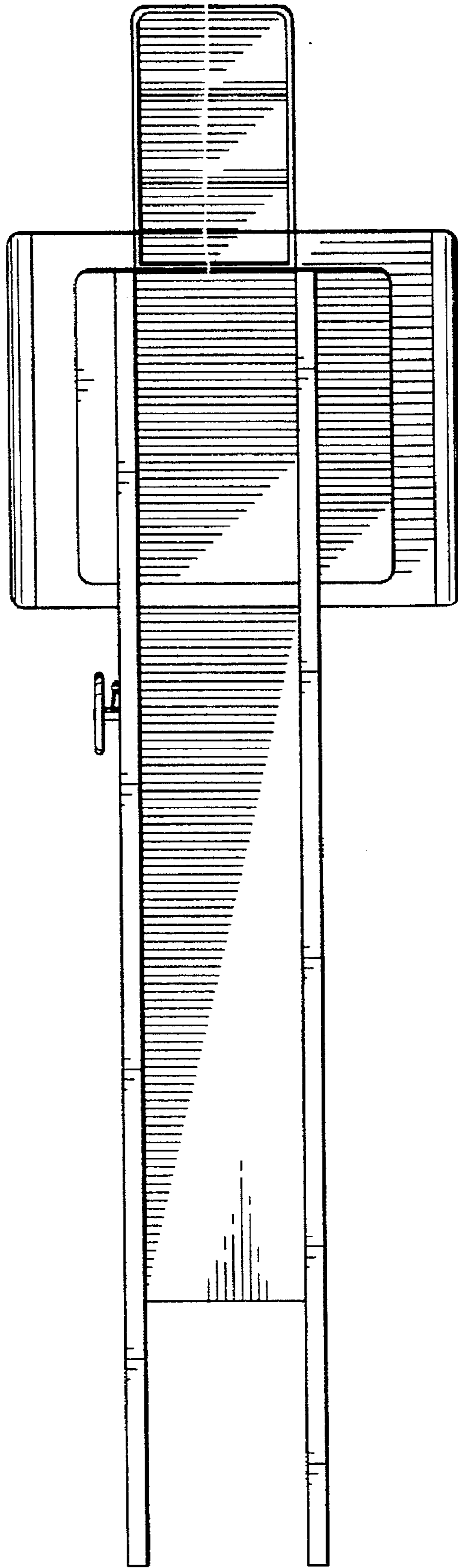


Fig. 6

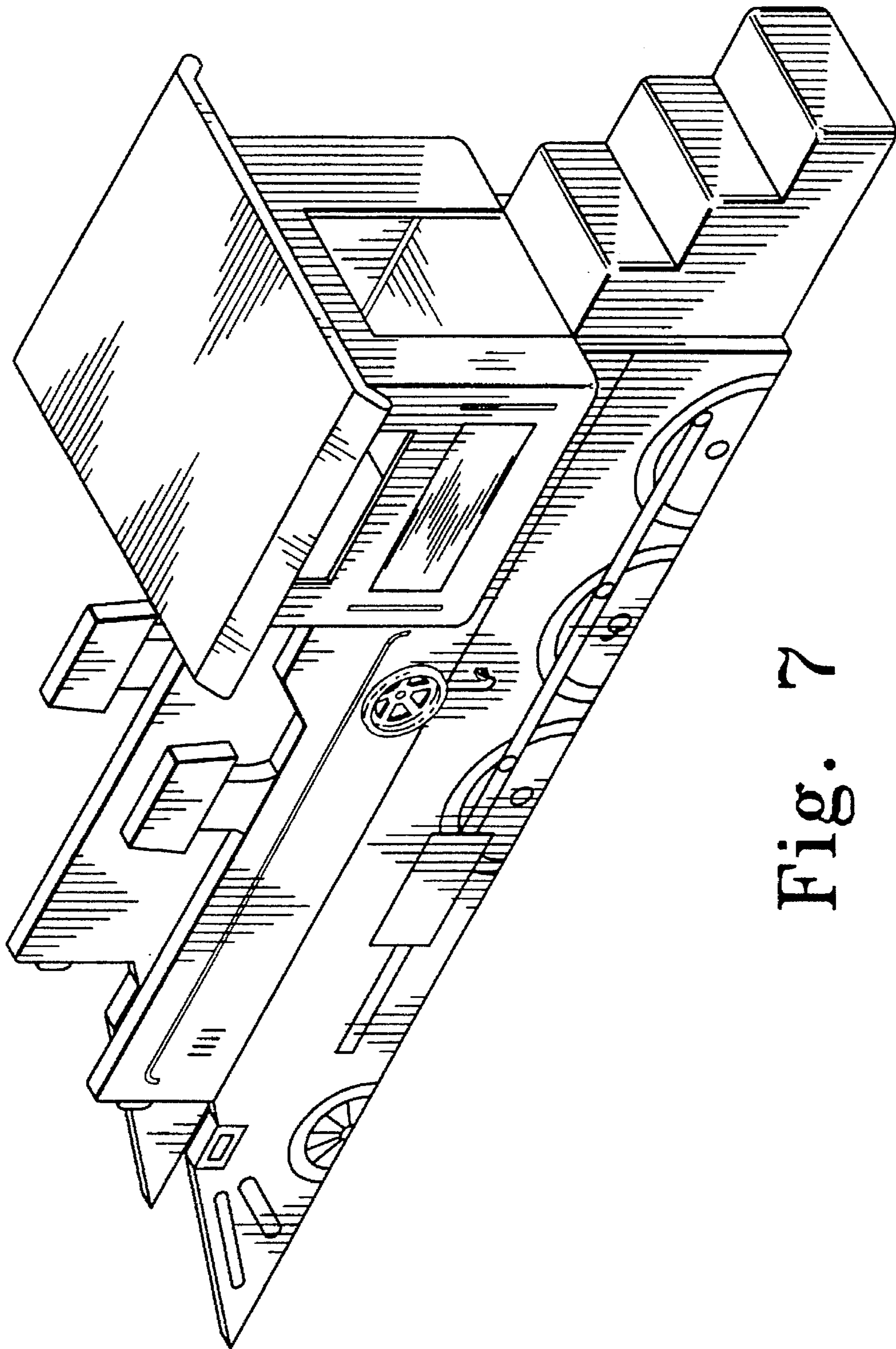


Fig. 7

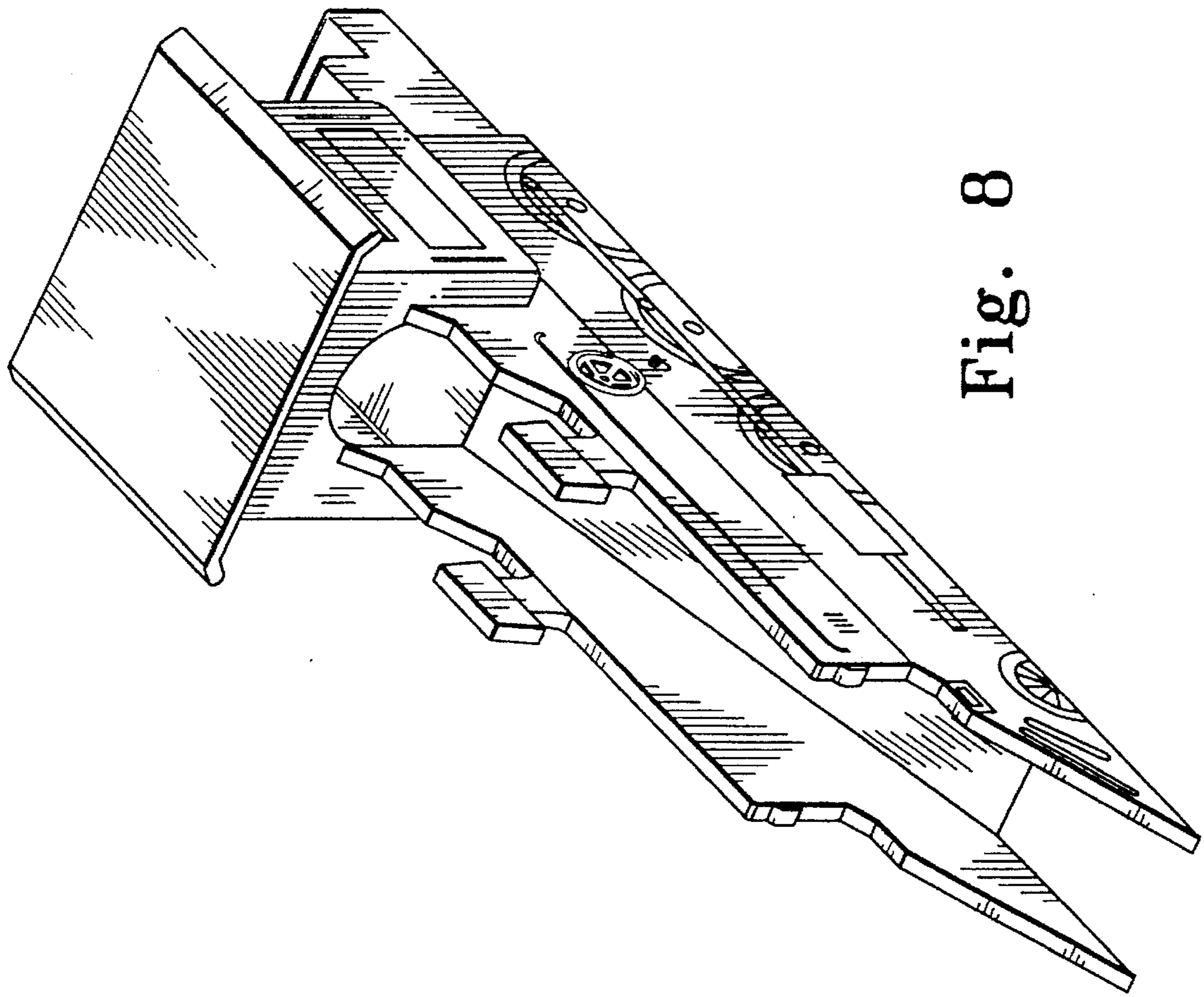


Fig. 8