



US00D380246S

United States Patent [19]

[11] Patent Number: Des. 380,246

Solheim et al.

[45] Date of Patent: **Jun. 24, 1997

[54] GOLF PUTTER HEAD

[75] Inventors: Allan D. Solheim, Phoenix; Douglas W. Anderson, Glendale, both of Ariz.

[73] Assignee: Karsten Manufacturing Corporation, Phoenix, Ariz.

[**] Term: 14 Years

[21] Appl. No.: 54,025

[22] Filed: May 6, 1996

[51] LOC (6) Cl. 21-02

[52] U.S. Cl. D21/217

[58] Field of Search D21/217-219;
473/251-256, 340, 341, 292

[56] References Cited

U.S. PATENT DOCUMENTS

D. 196,734	10/1963	Solheim	D34/5
D. 207,227	3/1967	Solheim	D34/5
D. 254,924	5/1980	Madison	D21/219
D. 259,801	7/1981	Vella	D21/217
D. 306,630	3/1990	Dinte et al.	D21/219
D. 346,002	4/1994	Collins	D21/219
D. 356,132	3/1995	Ackerman	D21/219
4,693,478	9/1987	Long	473/251
5,429,366	7/1995	McCabe	473/251 X

Primary Examiner—Lucy Lieberman
Assistant Examiner—Mitchell I. Siegel
Attorney, Agent, or Firm—Darrell F. Marquette

[57] CLAIM

The ornamental design for a golf putter head, as shown and described.

DESCRIPTION

FIG. 1 is a perspective view of a golf putter head showing my new design;

FIG. 2 is a heel end view of the golf putter head of FIG. 1; FIG. 3 is a rear elevational view of the golf putter head of FIG. 1;

FIG. 4 is a front elevational view of the golf putter head of FIG. 1;

FIG. 5 is a toe end view of the golf putter head of FIG. 1;

FIG. 6 is a top plan view of the golf putter head of FIG. 1;

FIG. 7 is a bottom plan view of the golf putter head of FIG. 1;

FIG. 8 is a perspective view of a second embodiment of the golf putter head as disclosed in FIG. 1;

FIG. 9 is a heel end view of the golf putter head of FIG. 8;

FIG. 10 is a rear elevational view of the golf putter head of FIG. 8;

FIG. 11 is a front elevational view of the golf putter head of FIG. 8;

FIG. 12 is a toe end view of the golf putter head of FIG. 8;

FIG. 13 is a top plan view of the golf putter head of FIG. 8;

FIG. 14 is a bottom plan view of the golf putter head of FIG. 8;

FIG. 15 is a perspective view of a third embodiment of the golf putter head as disclosed in FIG. 1;

FIG. 16 is a heel end view of the golf putter head of FIG. 15;

FIG. 17 is a rear elevational view of the golf putter head of FIG. 15;

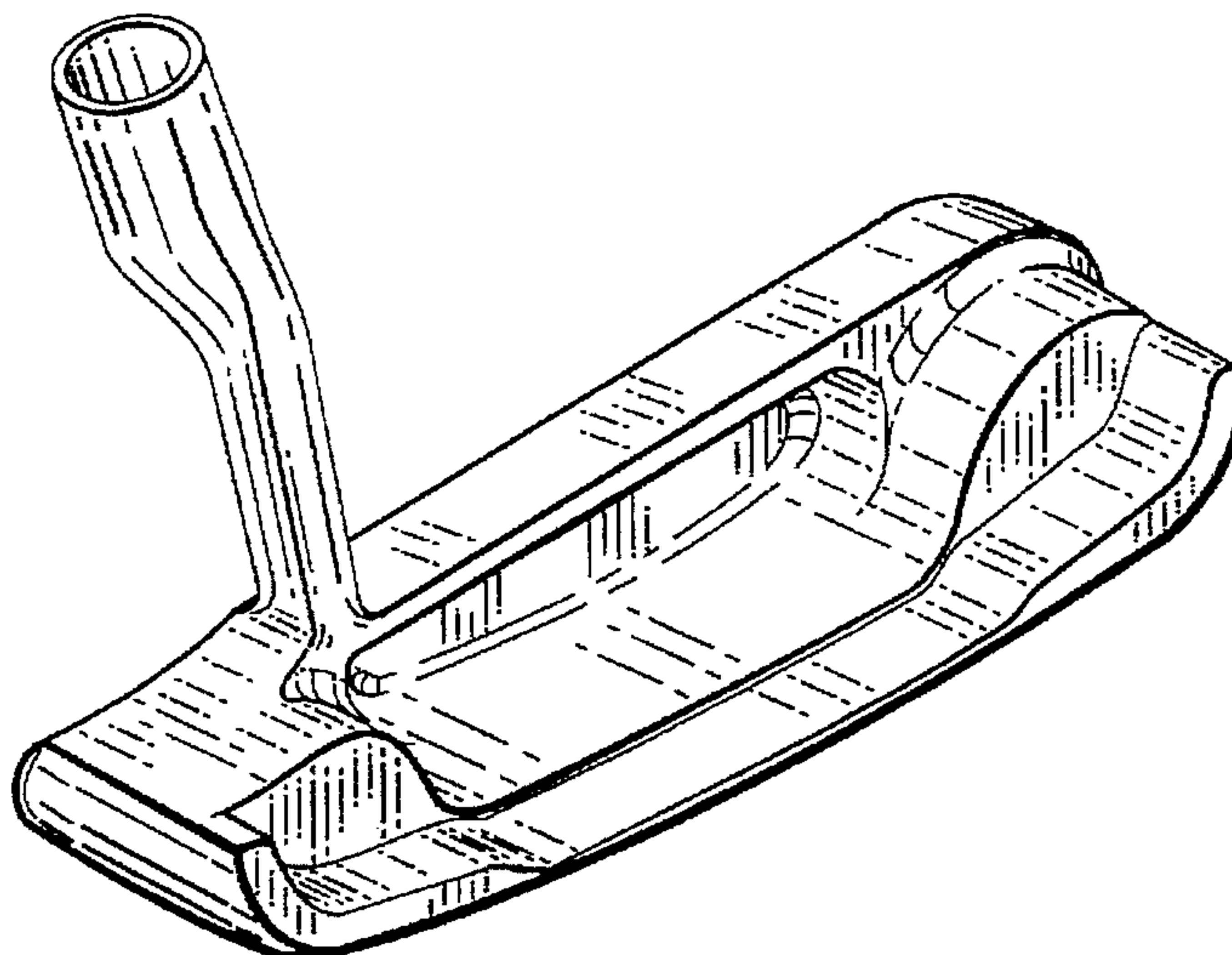
FIG. 18 is a front elevational view of the golf putter head of FIG. 15;

FIG. 19 is a toe end view of the golf putter head of FIG. 15;

FIG. 20 is a top plan view of the golf putter head of FIG. 15; and,

FIG. 21 is a bottom plan view of the golf putter head of FIG. 15.

1 Claim, 3 Drawing Sheets



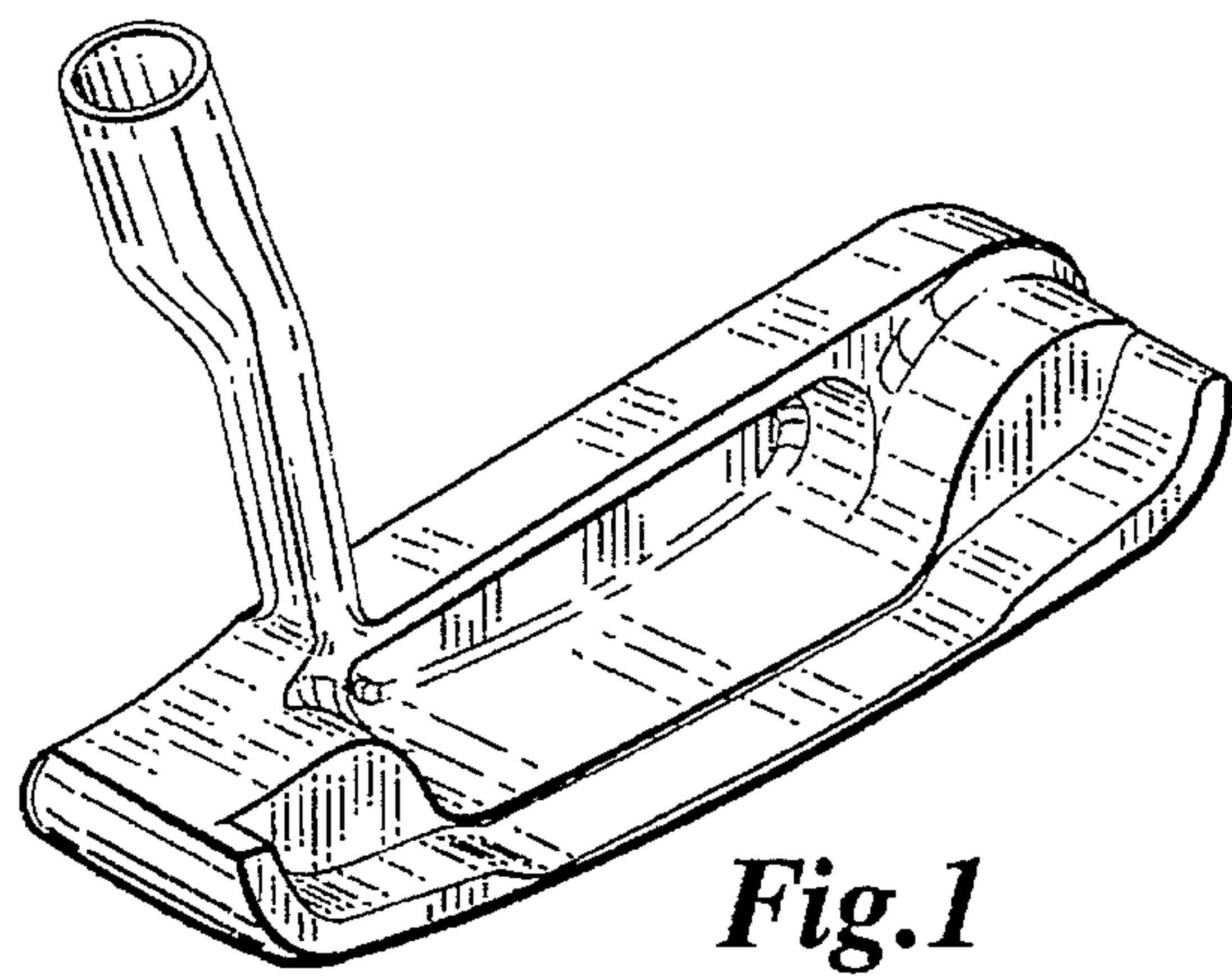


Fig. 1

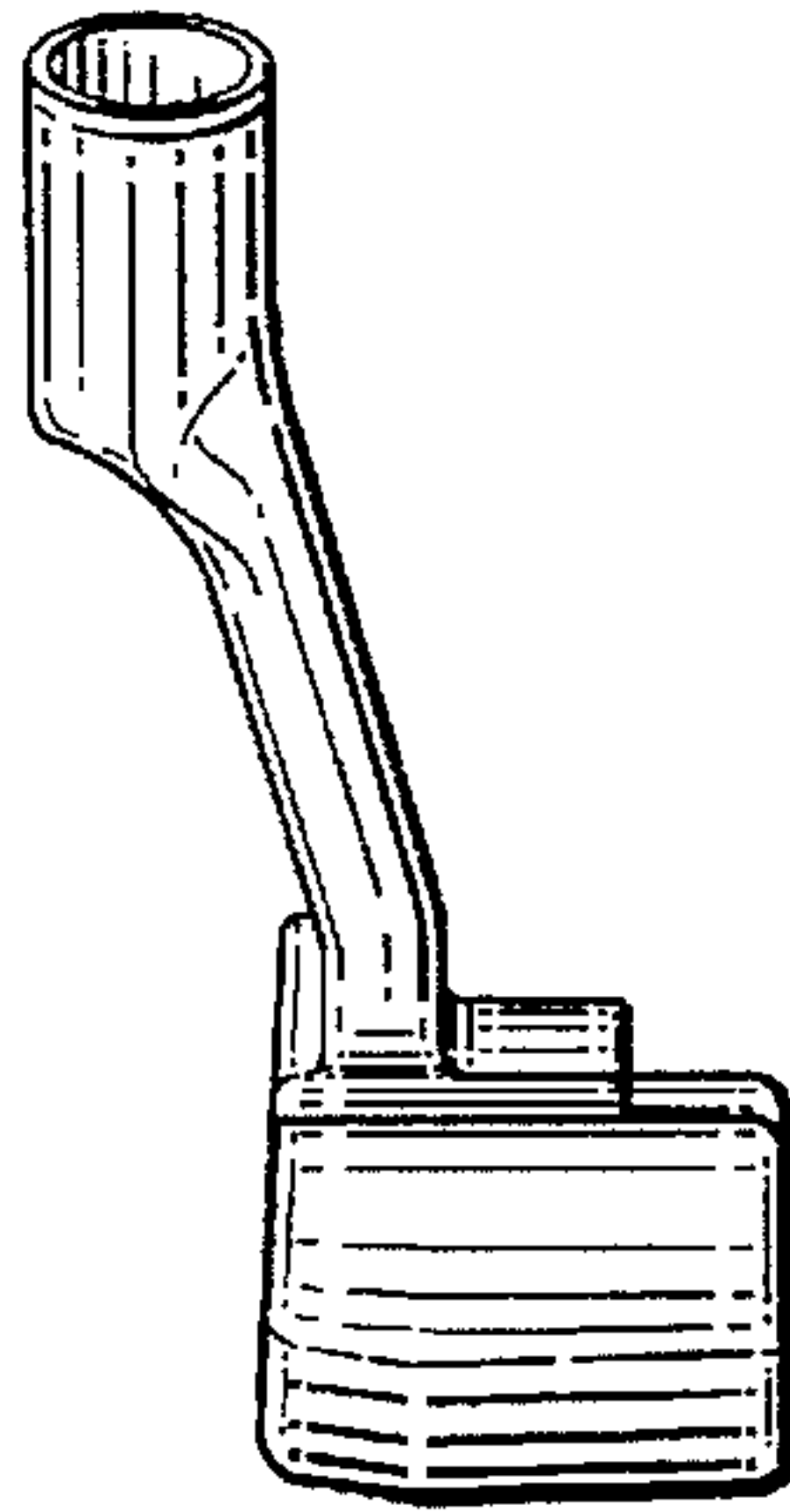


Fig. 2

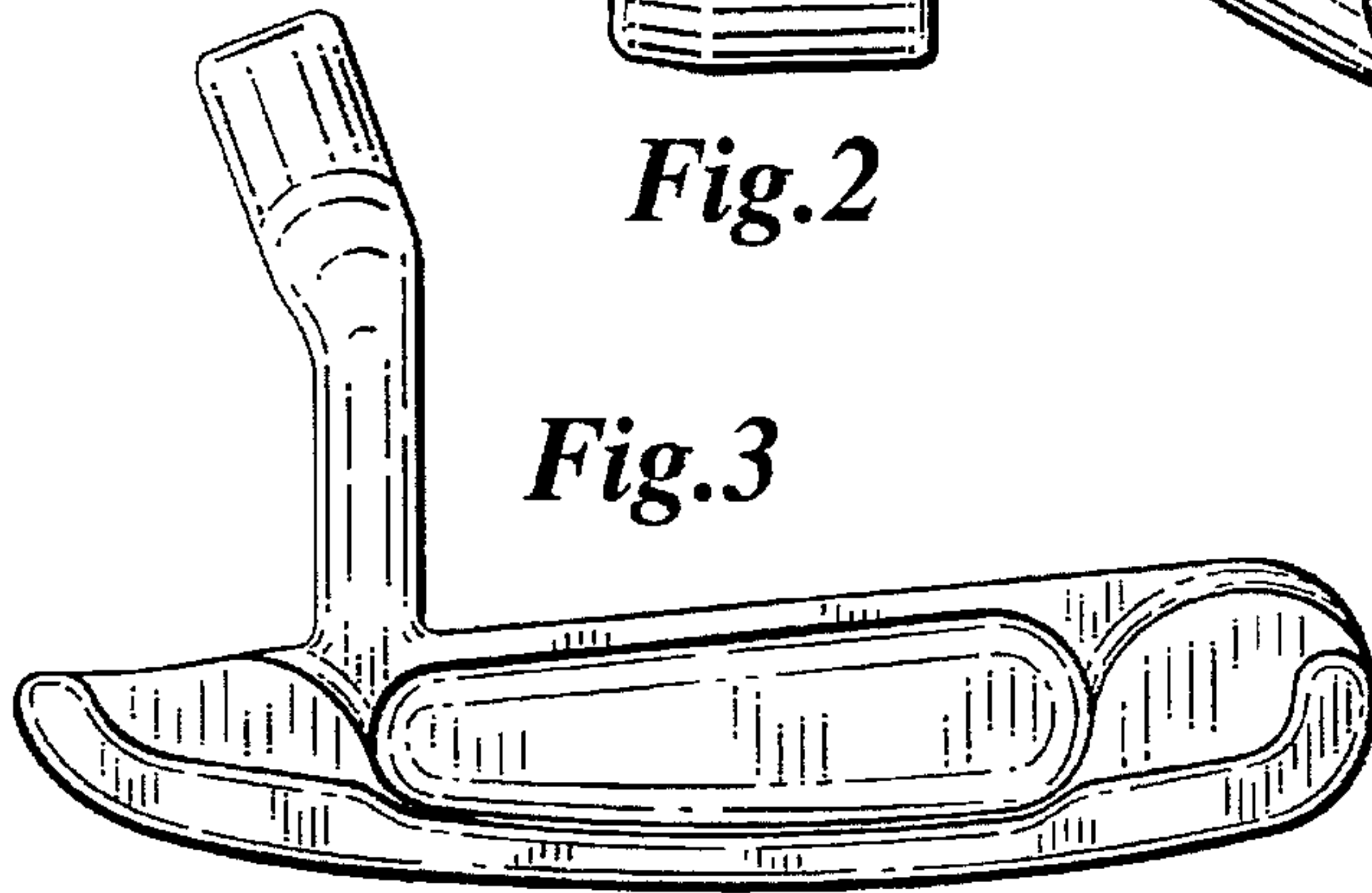


Fig. 3

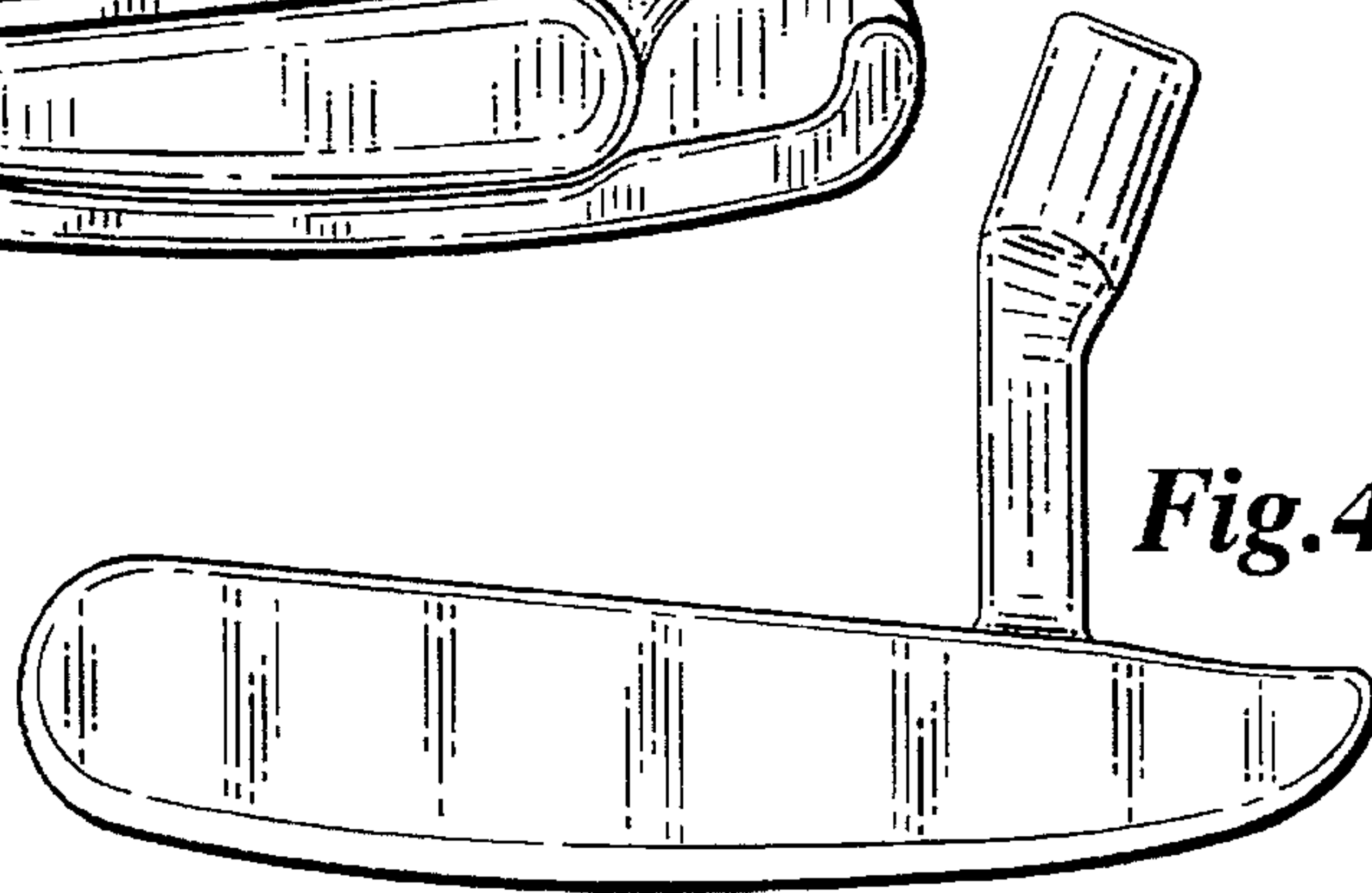


Fig. 4

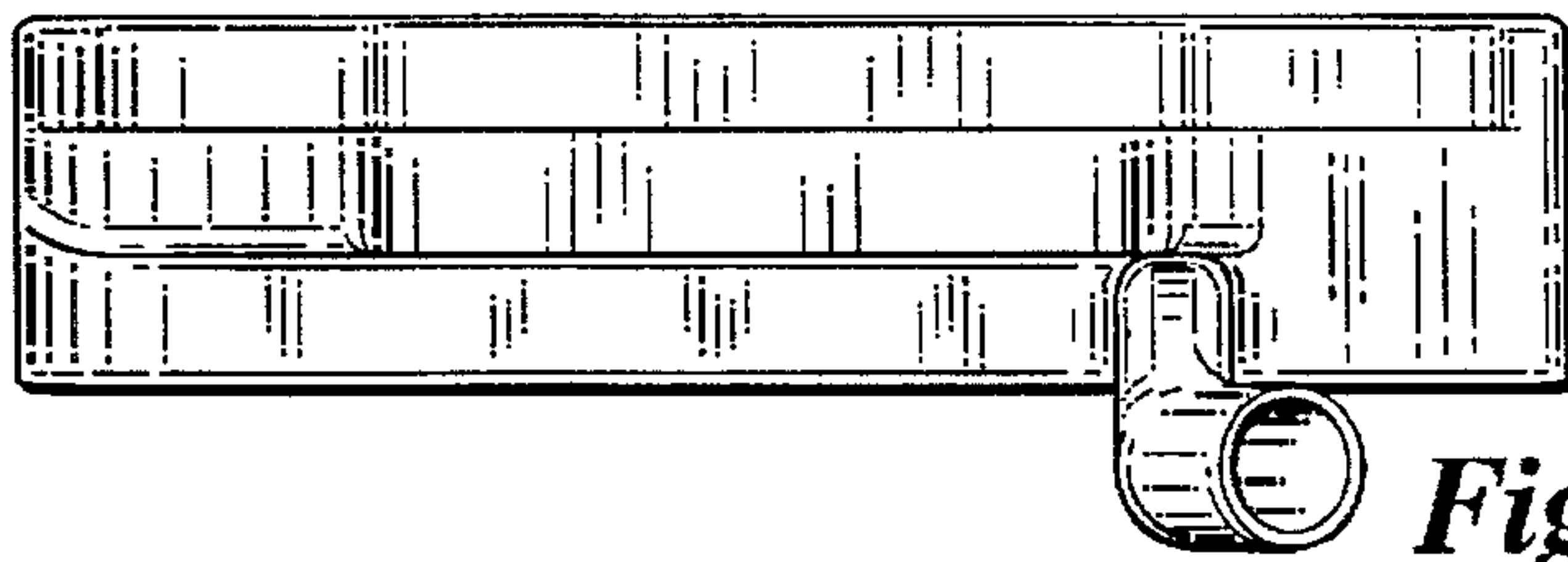


Fig. 6

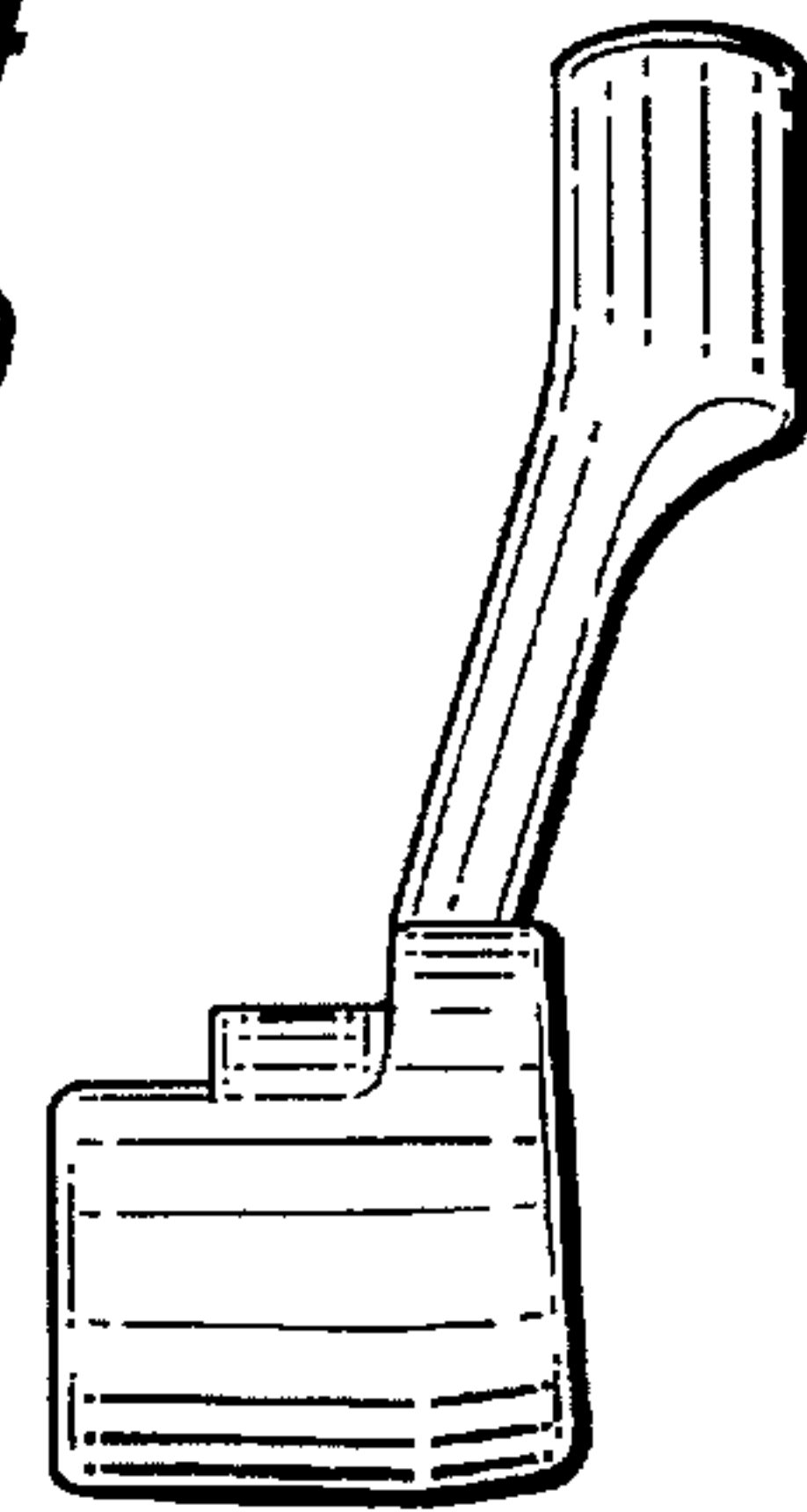


Fig. 5

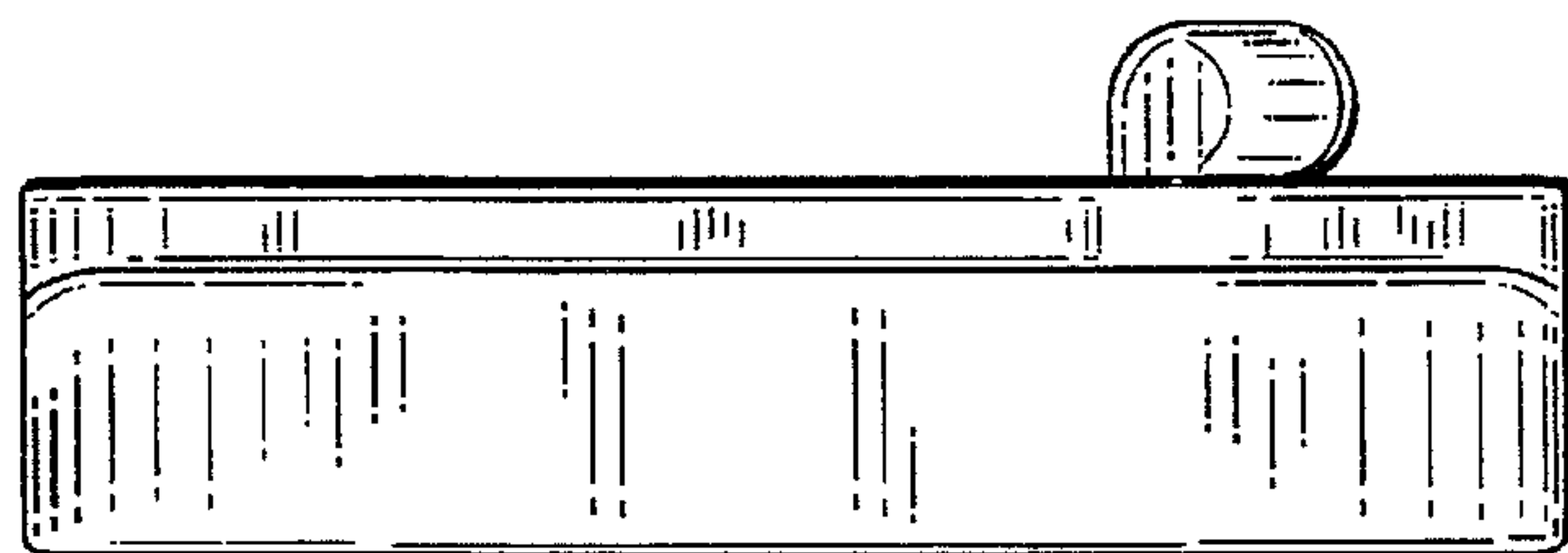


Fig. 7

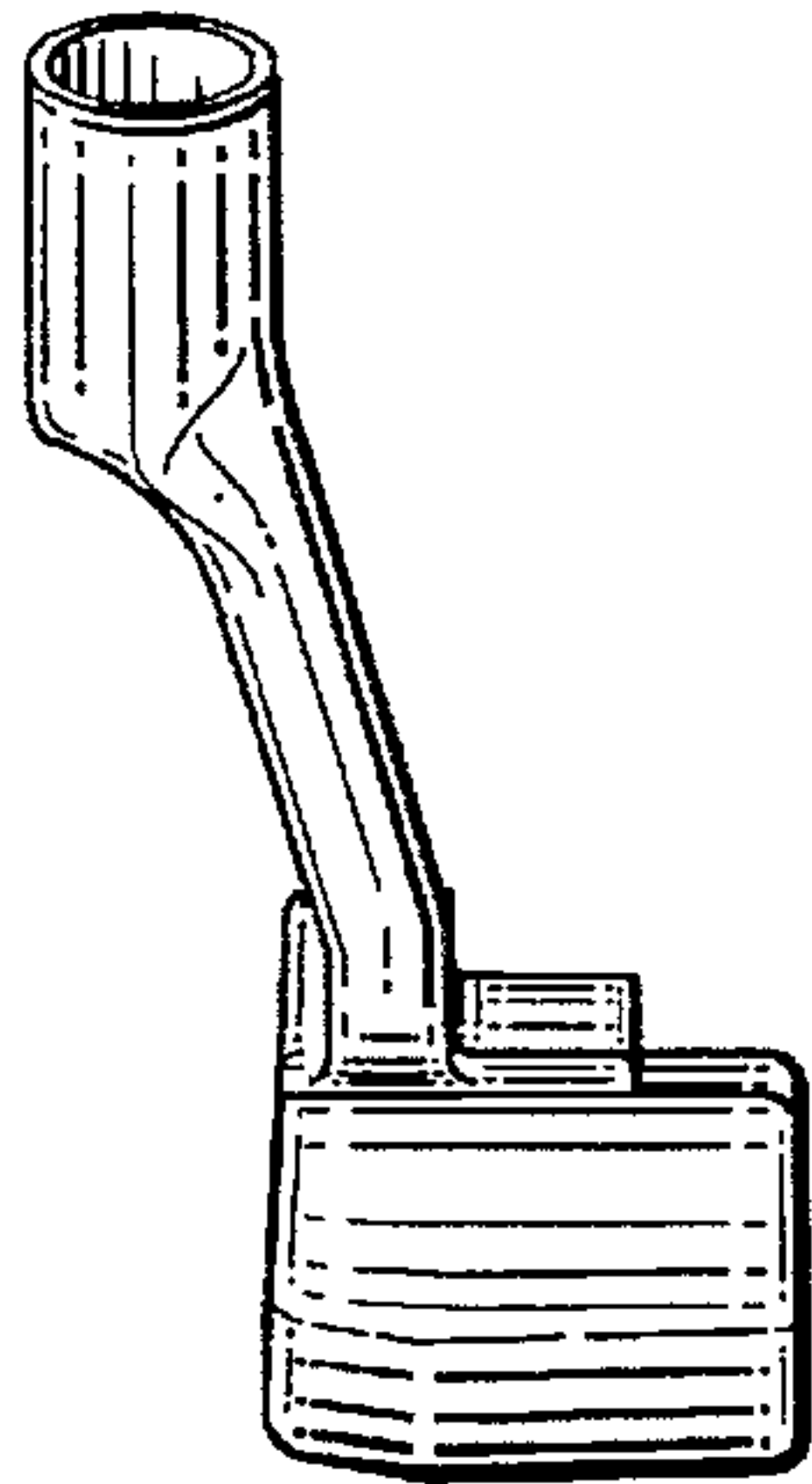


Fig. 9

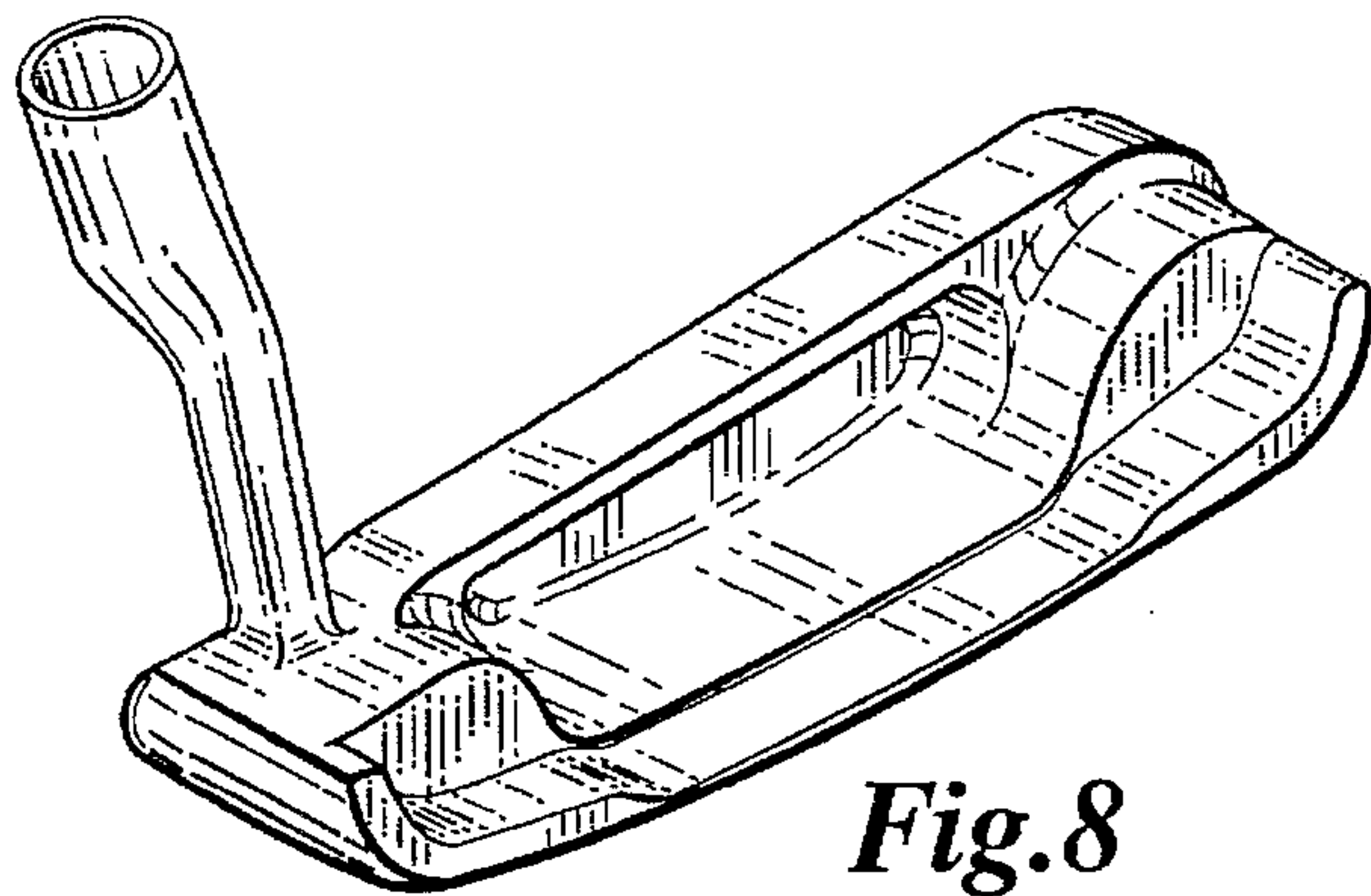


Fig. 8

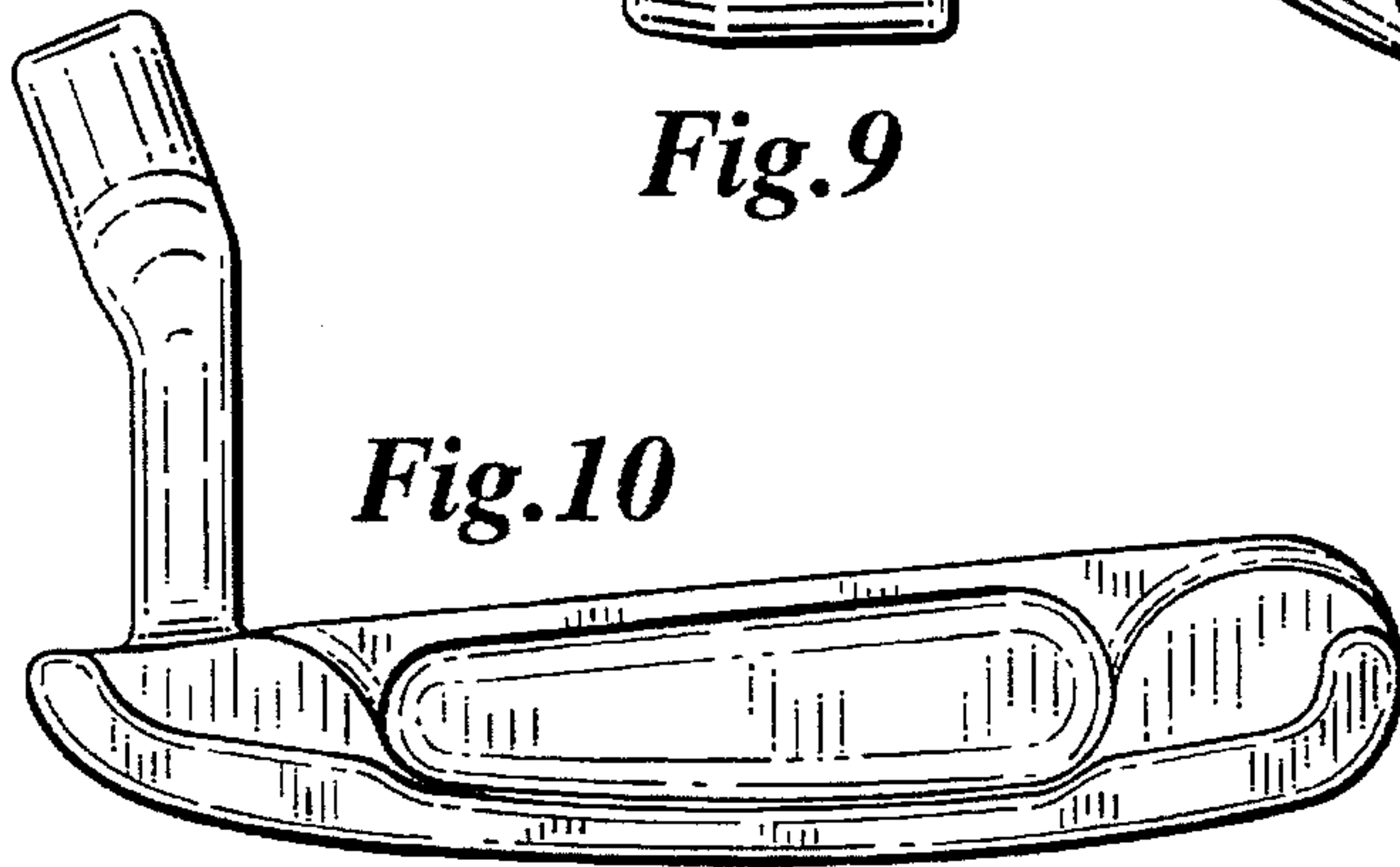


Fig. 10

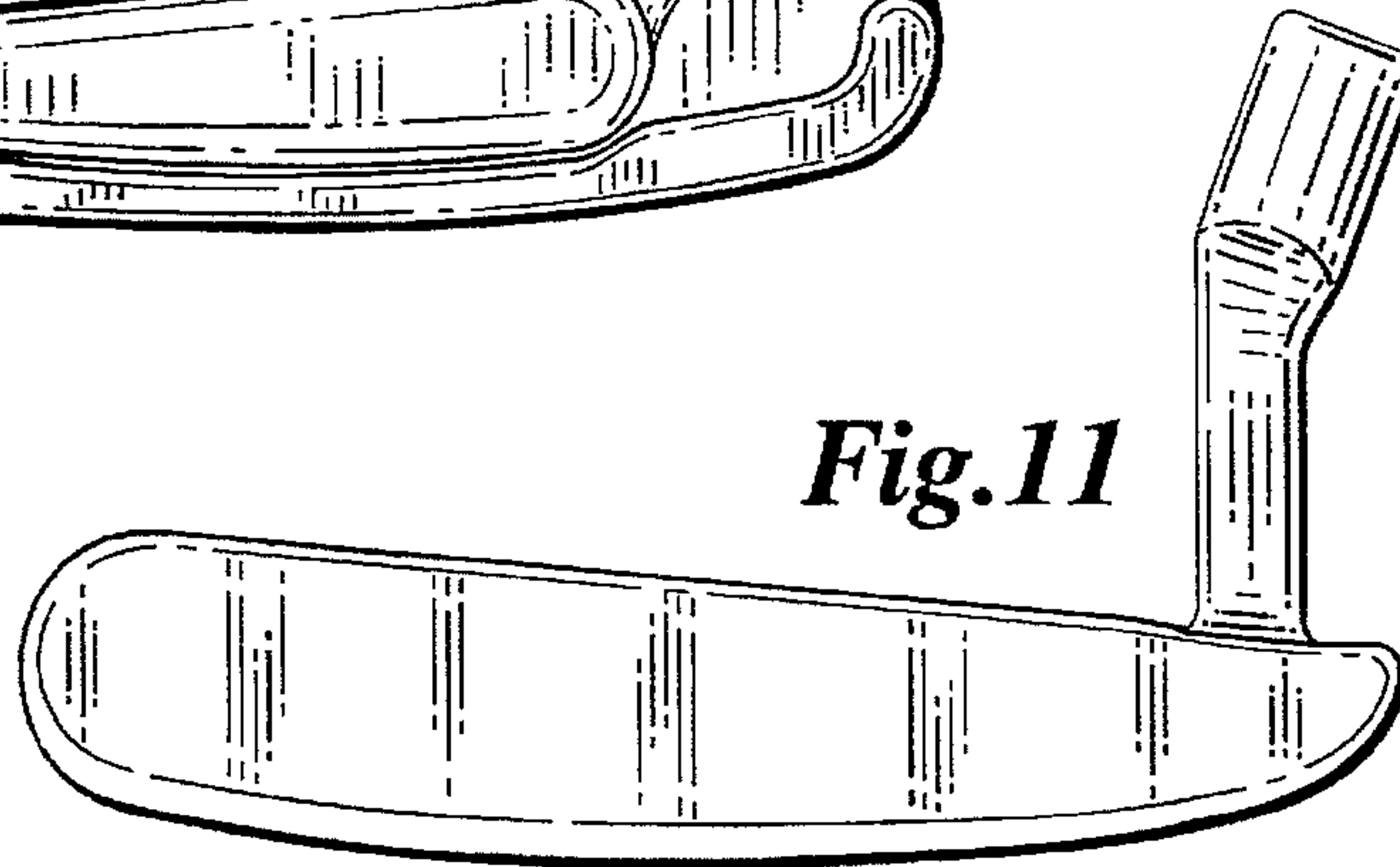


Fig. 11

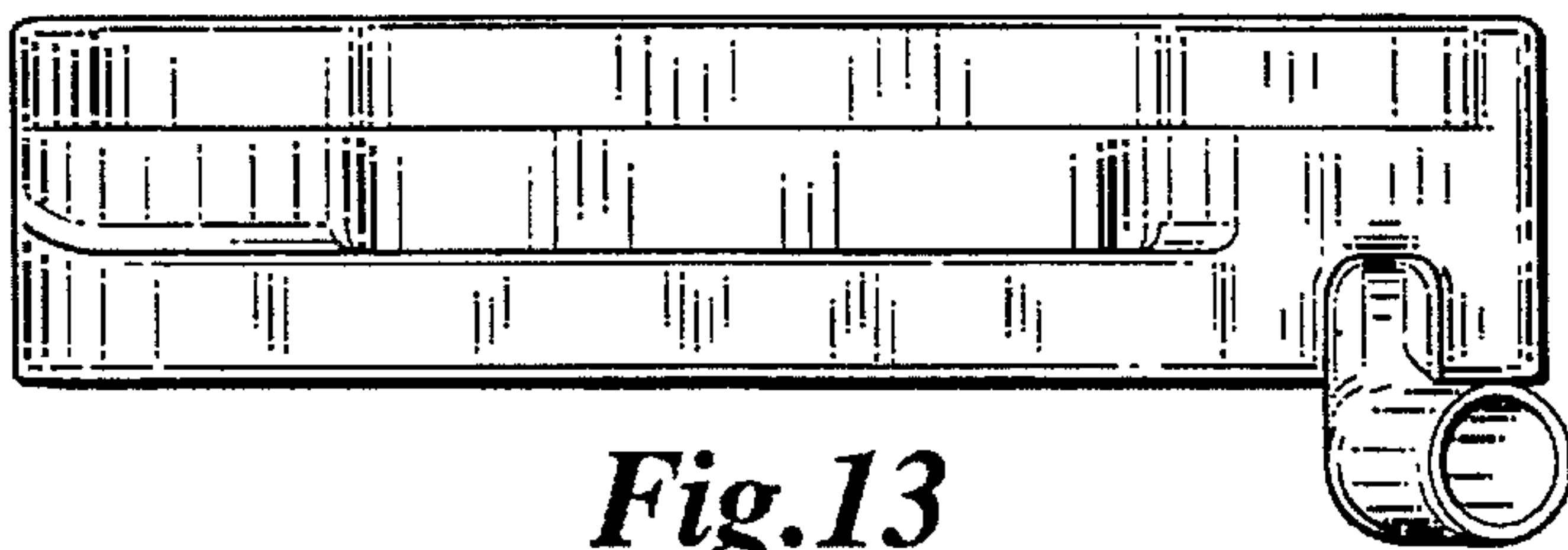


Fig. 13

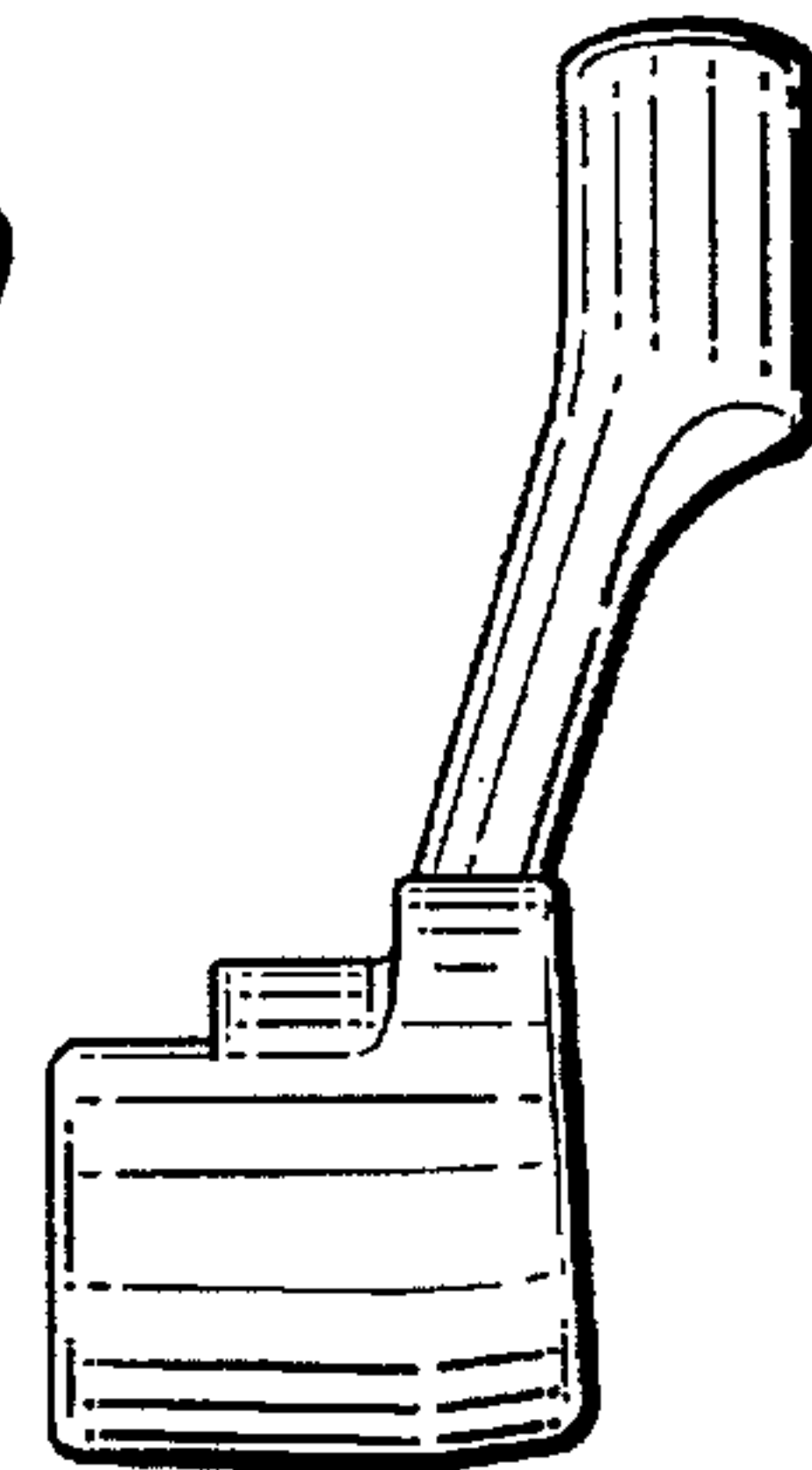


Fig. 12

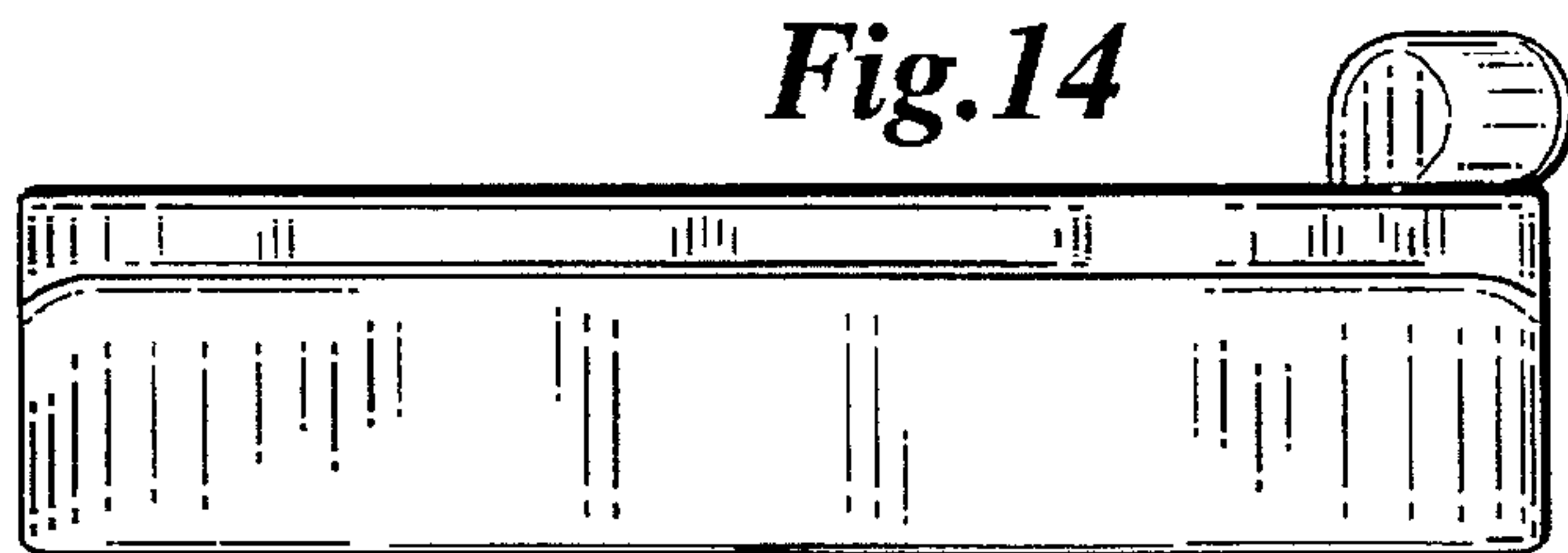


Fig. 14

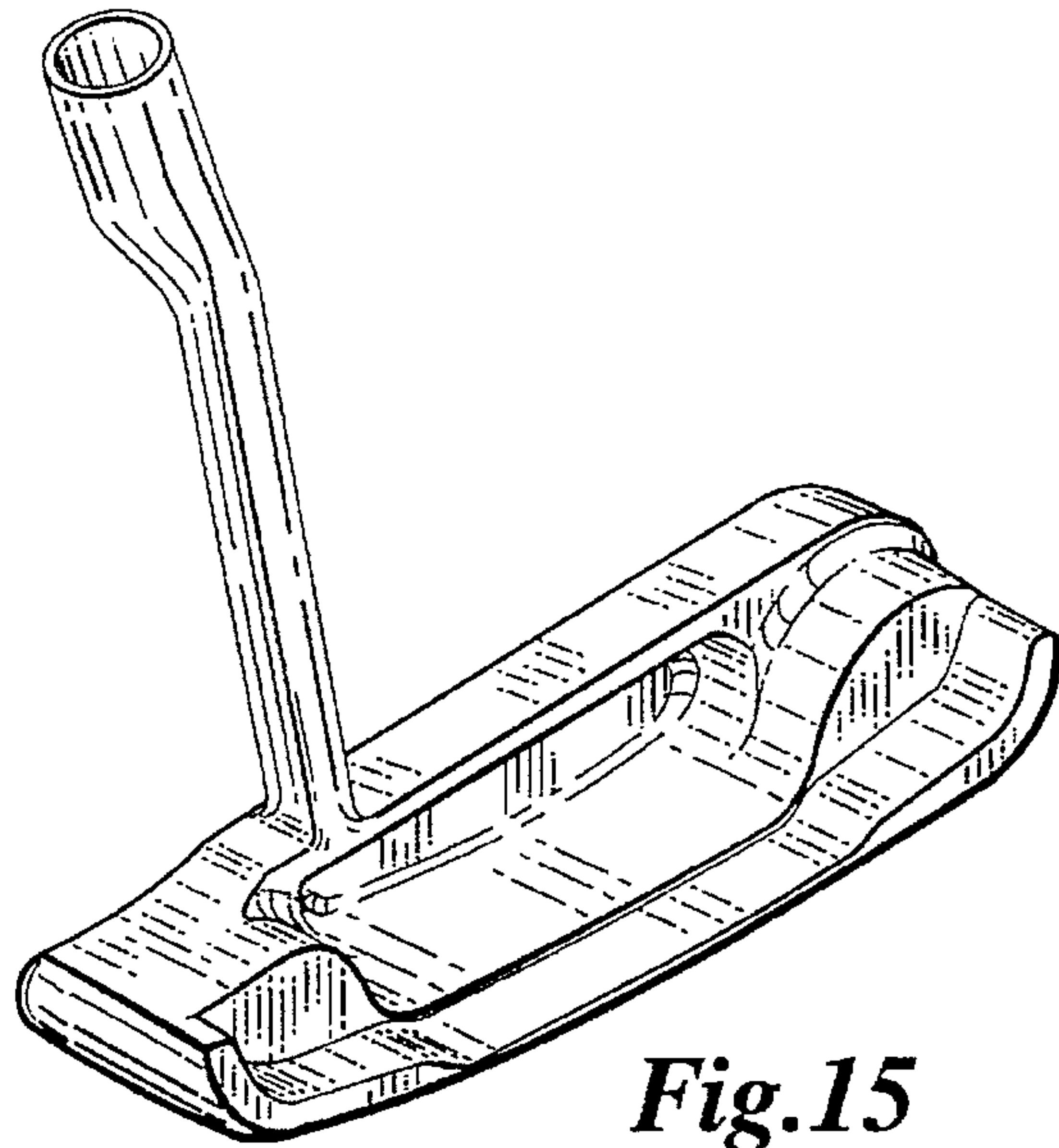


Fig. 15

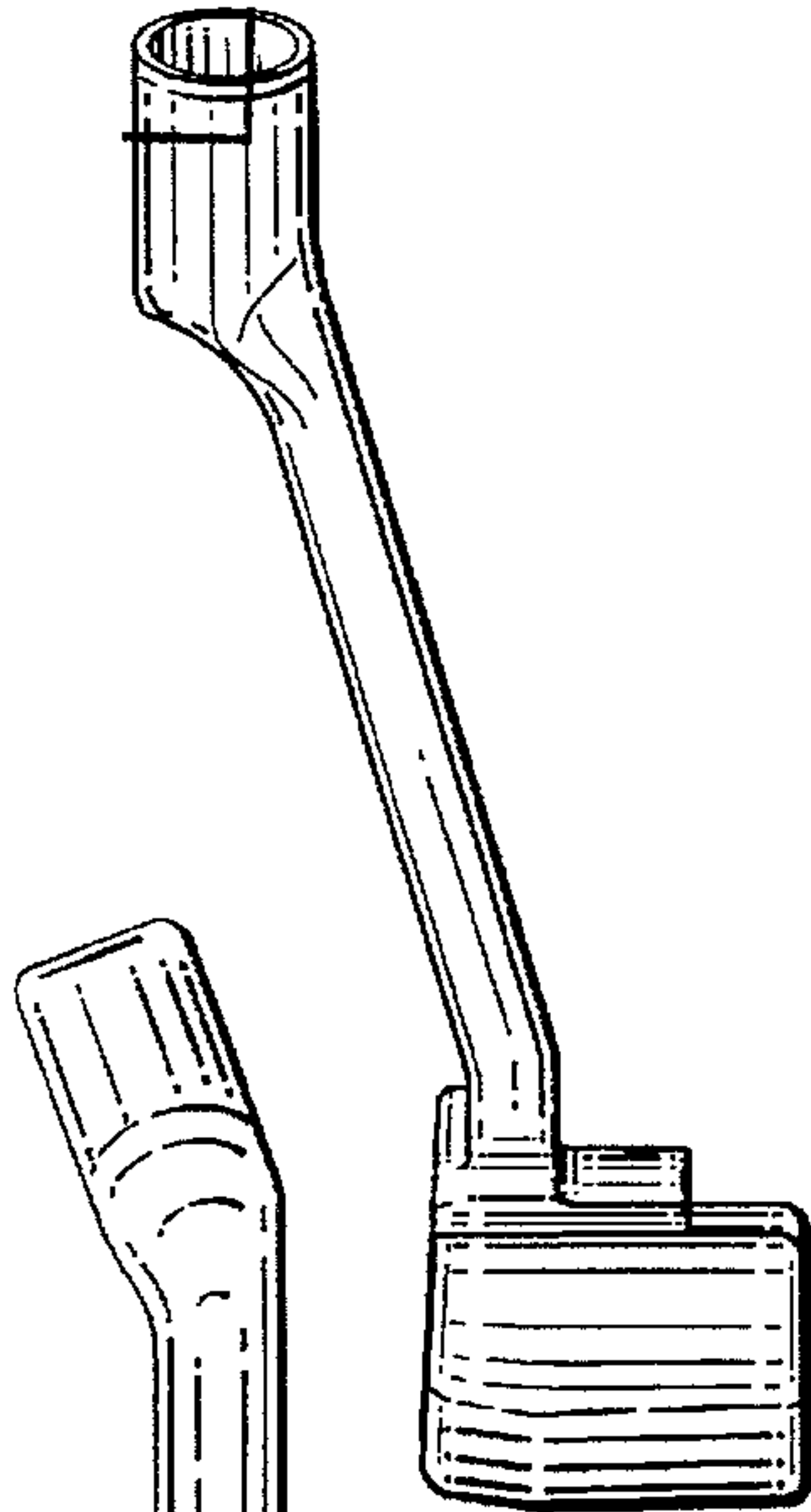


Fig. 16

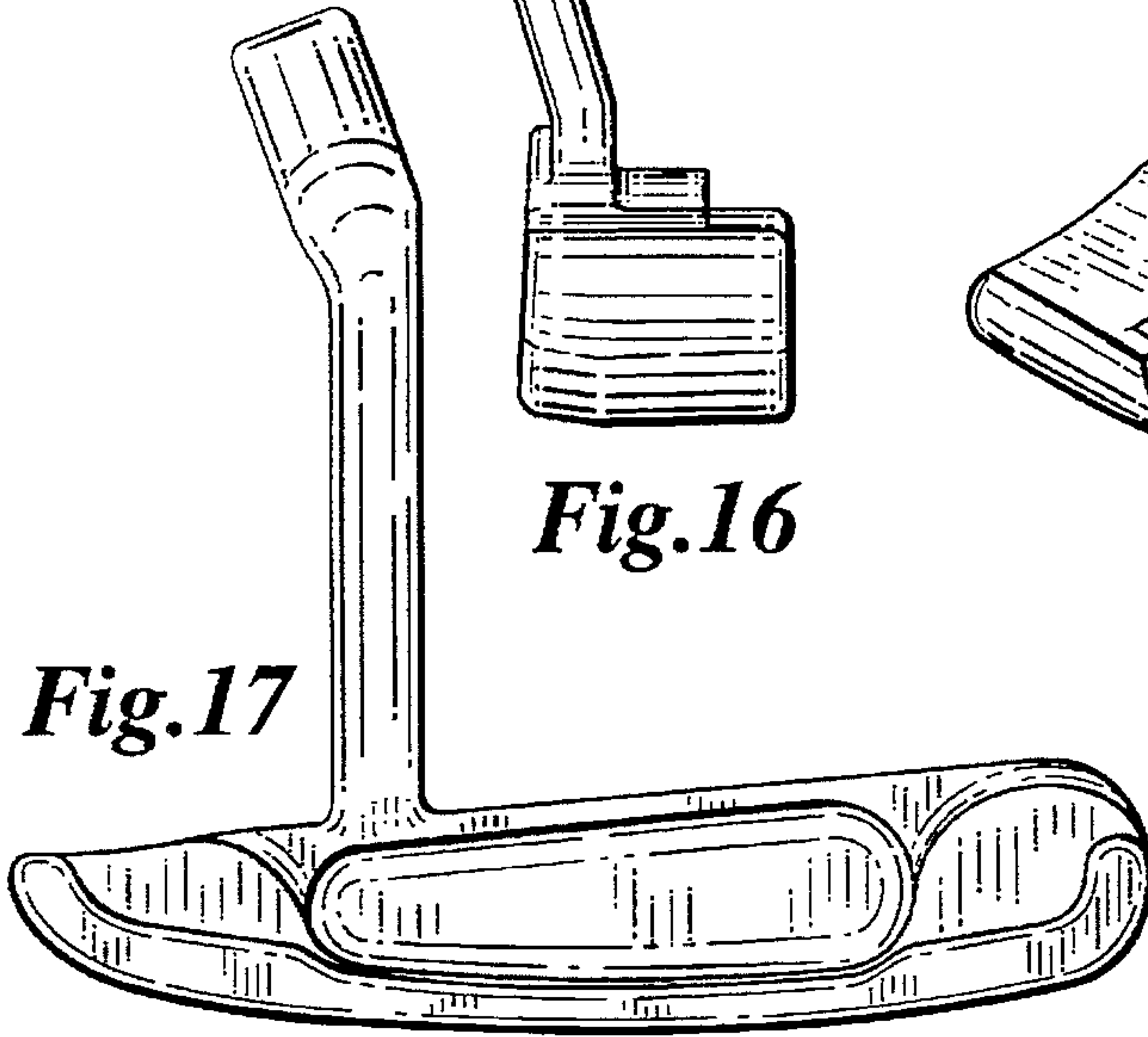


Fig. 17

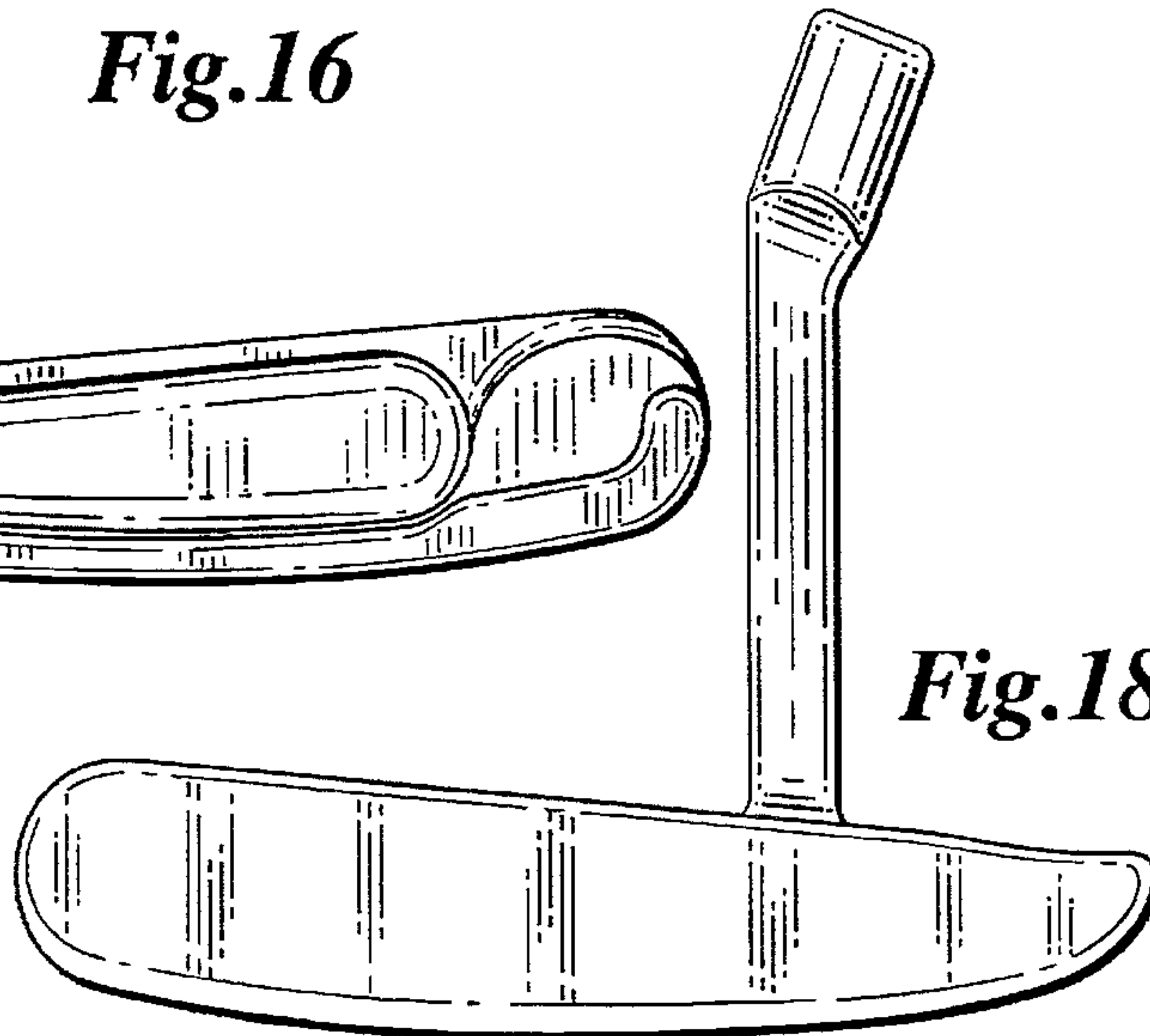


Fig. 18

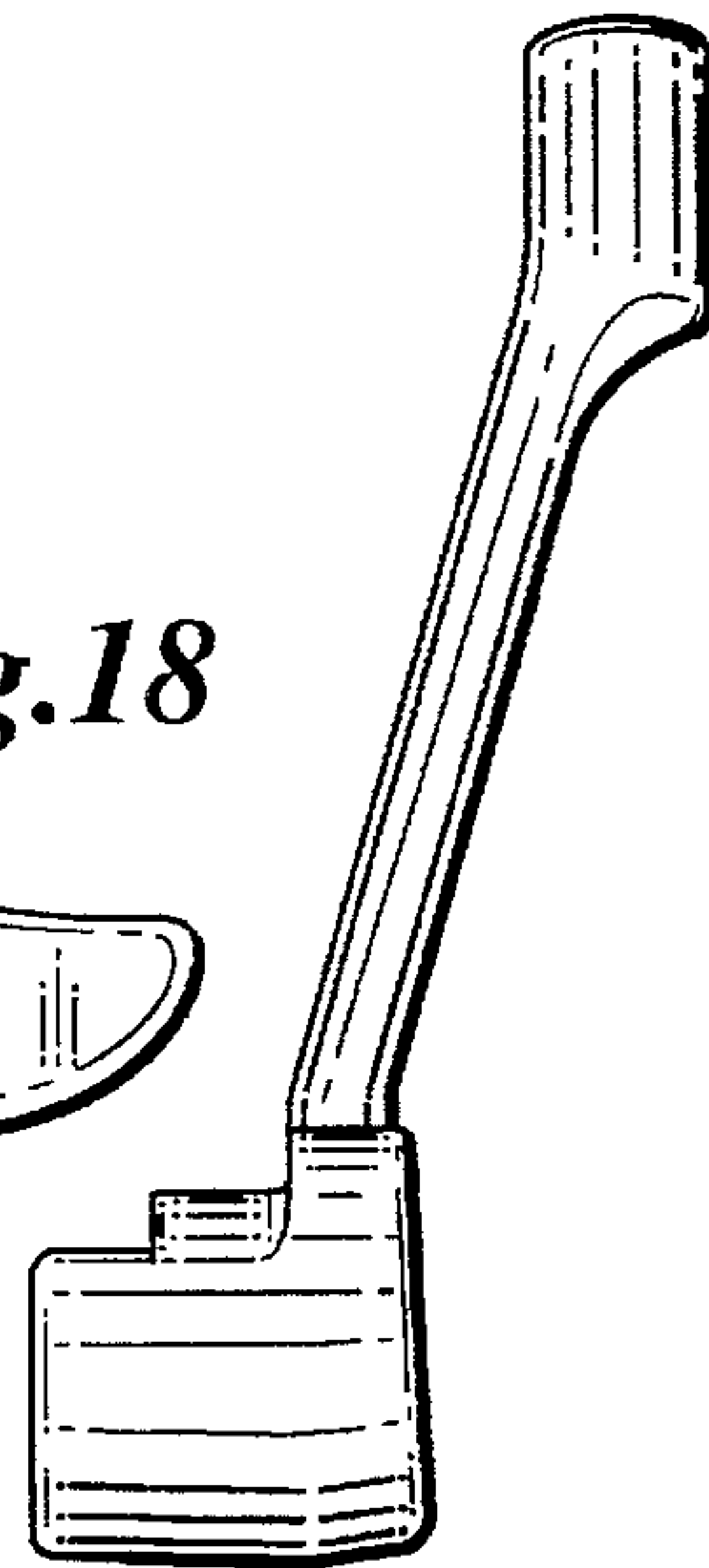


Fig. 19

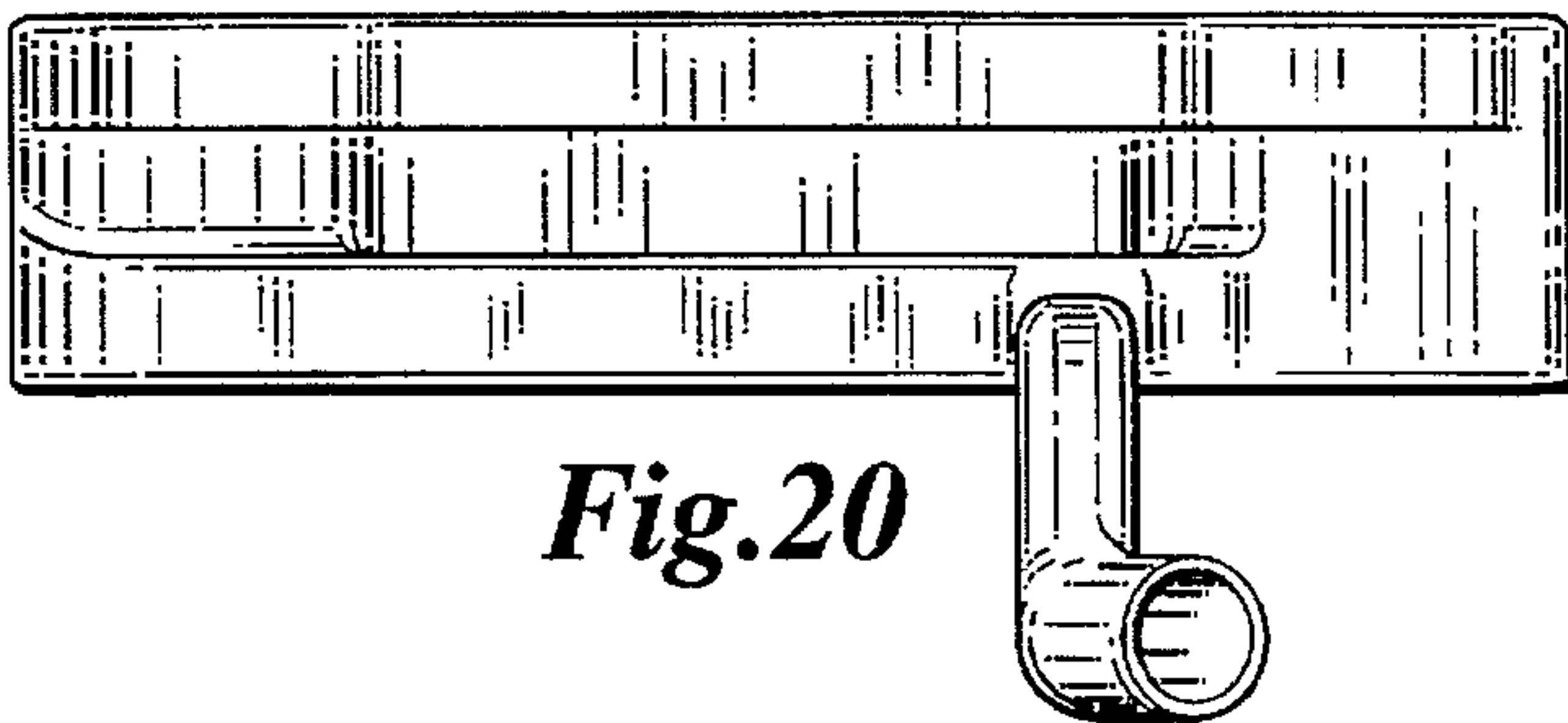


Fig. 20

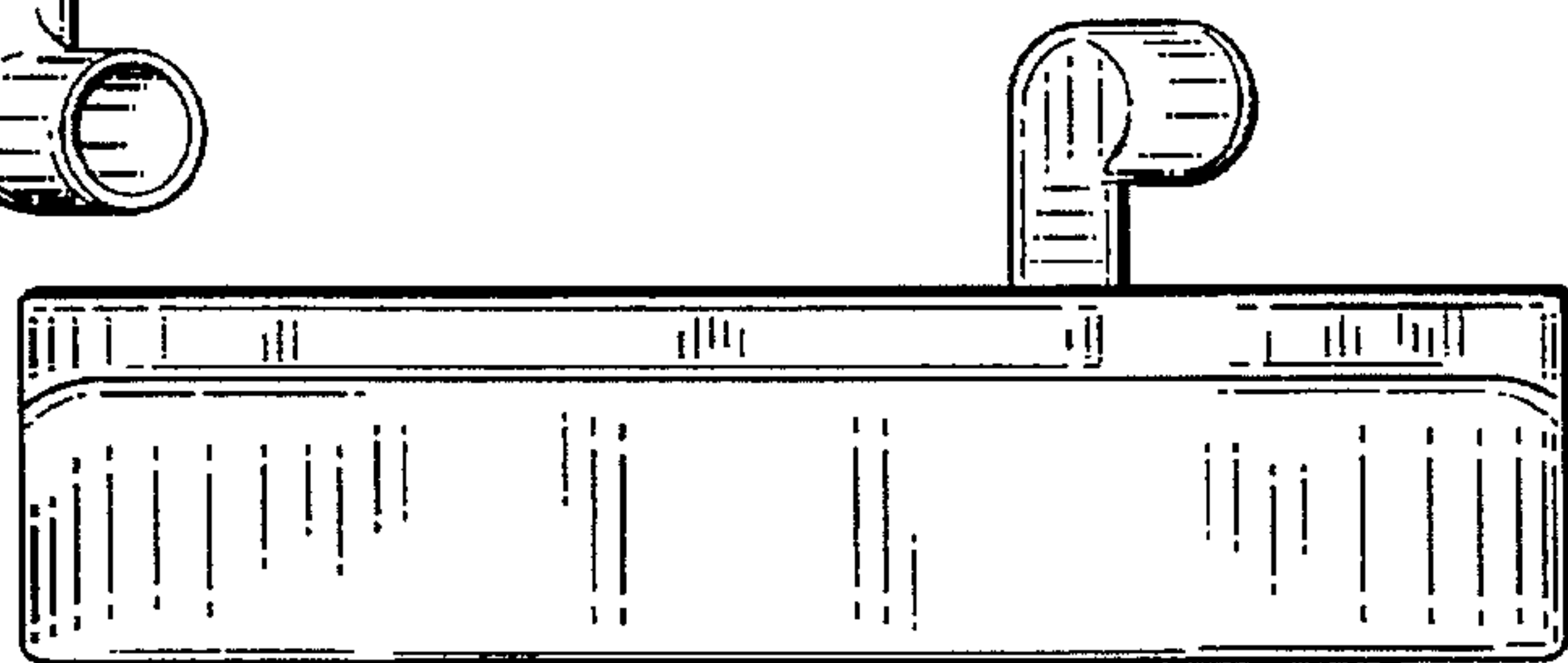


Fig. 21