

US00D380238S

United States Patent [19]

Tyler

[11] Patent Number: **Des. 380,238**

[45] Date of Patent: ****Jun. 24, 1997**

[54] **CONTROL PAD**

5,207,426 5/1993 Inoue et al. 273/148 B

[76] Inventor: **Kelly D. Tyler**, Box 841, Jamul, Calif.
91935

[**] Term: **14 Years**

[21] Appl. No.: **53,079**

[22] Filed: **Apr. 16, 1996**

[51] LOC (6) Cl. **21-01**

[52] U.S. Cl. **D21/48**

[58] Field of Search D21/1, 13, 48;
273/148 B; 463/30-35, 37, 38, 46, 47;
D14/114, 126

[56] **References Cited**

U.S. PATENT DOCUMENTS

D. 317,021	5/1991	Shulman et al.	D21/48
D. 345,994	4/1994	Shian	D21/48
D. 353,410	12/1994	Chan	D21/48
D. 354,993	1/1995	Morrison et al.	D21/48 X
D. 363,321	10/1995	Hsien	D21/48
4,870,389	9/1989	Ishiwata et al.	273/148 B X
5,184,830	2/1993	Okada et al.	463/46

OTHER PUBLICATIONS

Hong Kong Enterprise, Oct. 1992, p. 269.

Hong Kong Enterprises, Oct. 1992, p. 363.

Playthings, Sep. 1988, p. 49.

Primary Examiner—Prabhakar G. Deshmukh

Attorney, Agent, or Firm—Charles C. Logan, II

[57] **CLAIM**

The ornamental design for a control pad, as shown and described.

DESCRIPTION

FIG. 1 is a rear perspective view of the control pad showing my new design;

FIG. 2 is a right side elevation view thereof and the left side elevation view is the reverse image thereof;

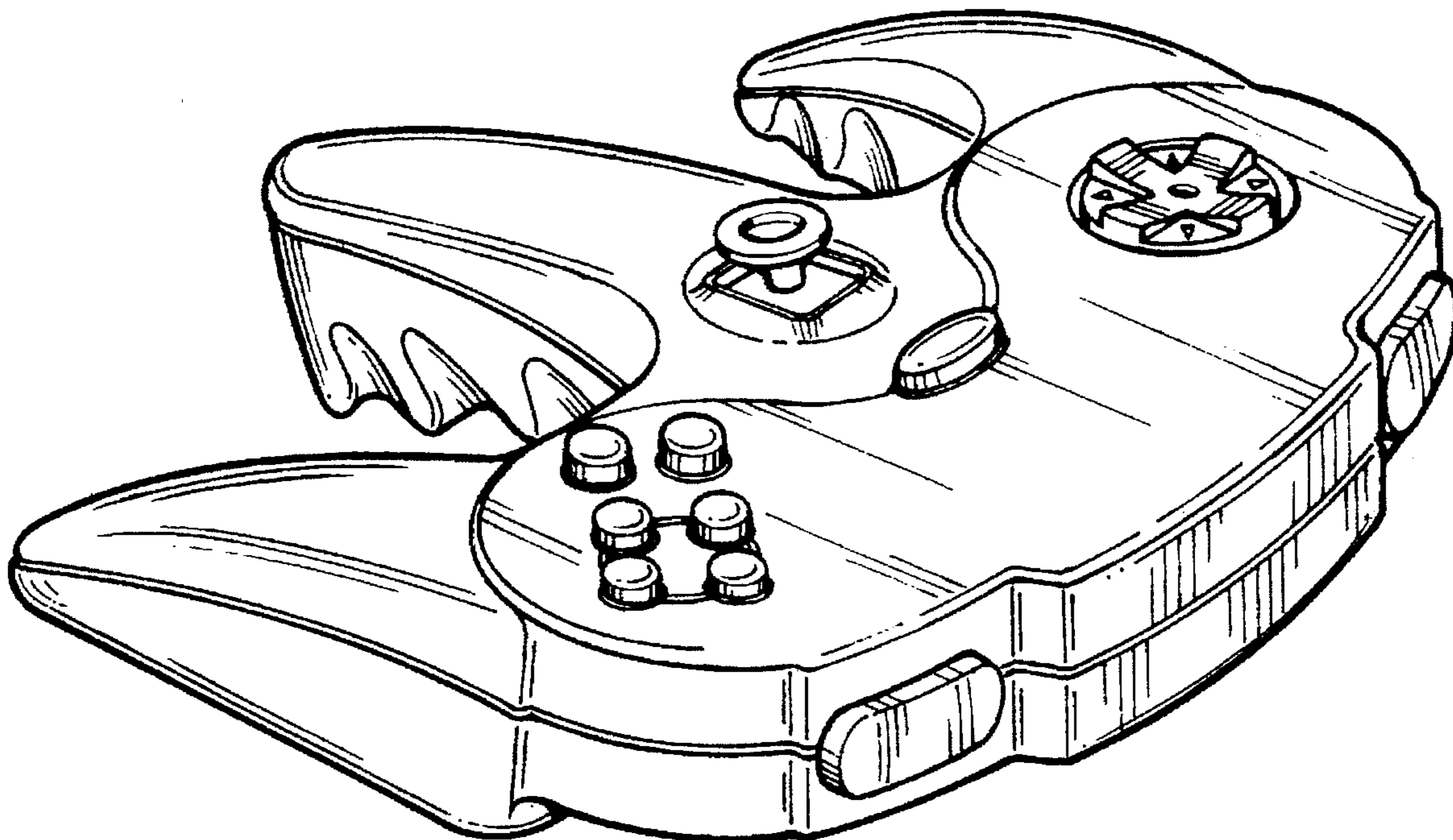
FIG. 3 is a bottom plan view thereof;

FIG. 4 is a top plan view thereof;

FIG. 5 is a rear elevation view thereof; and,

FIG. 6 is a front elevation view thereof.

1 Claim, 2 Drawing Sheets



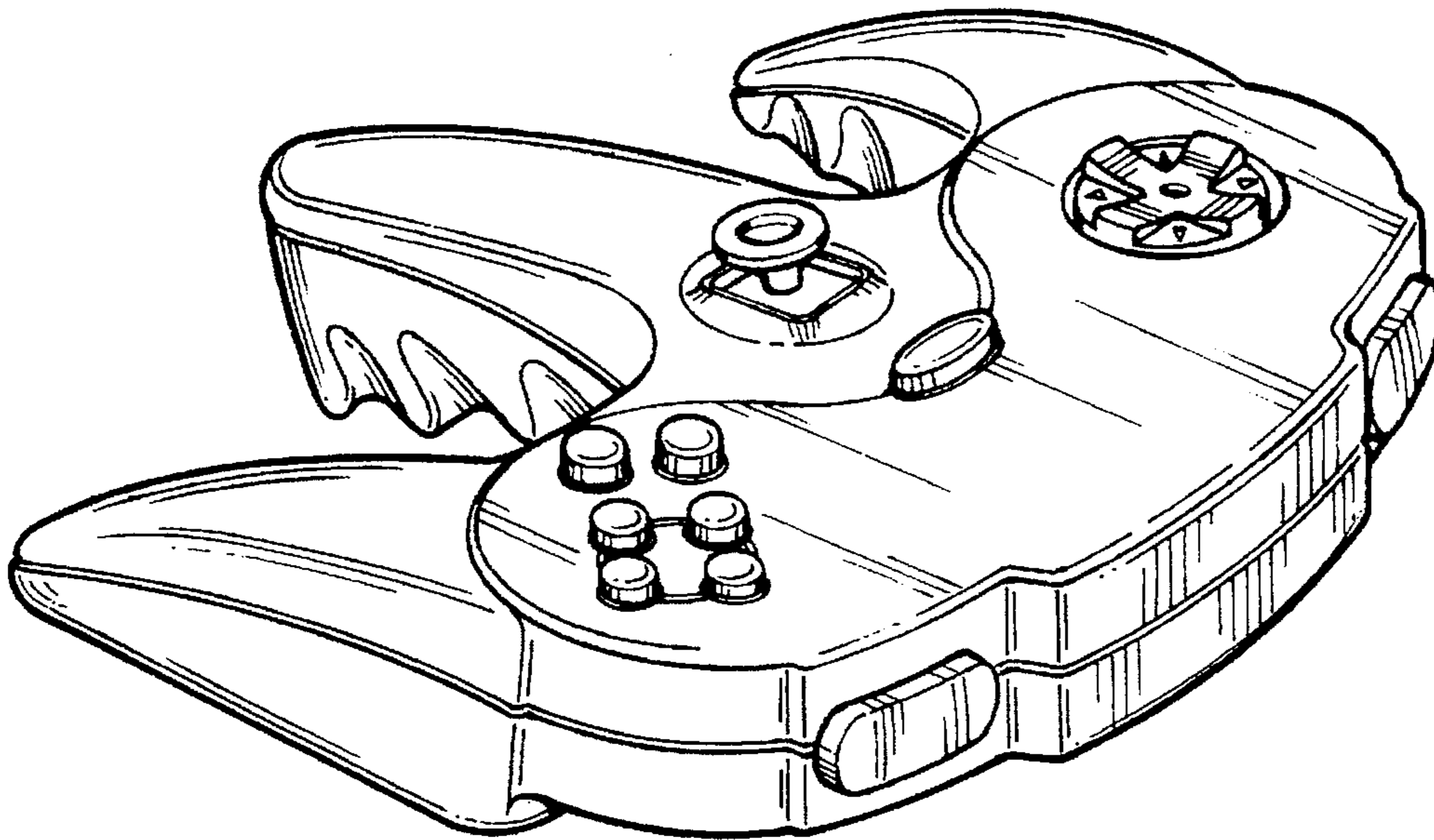


FIGURE 1

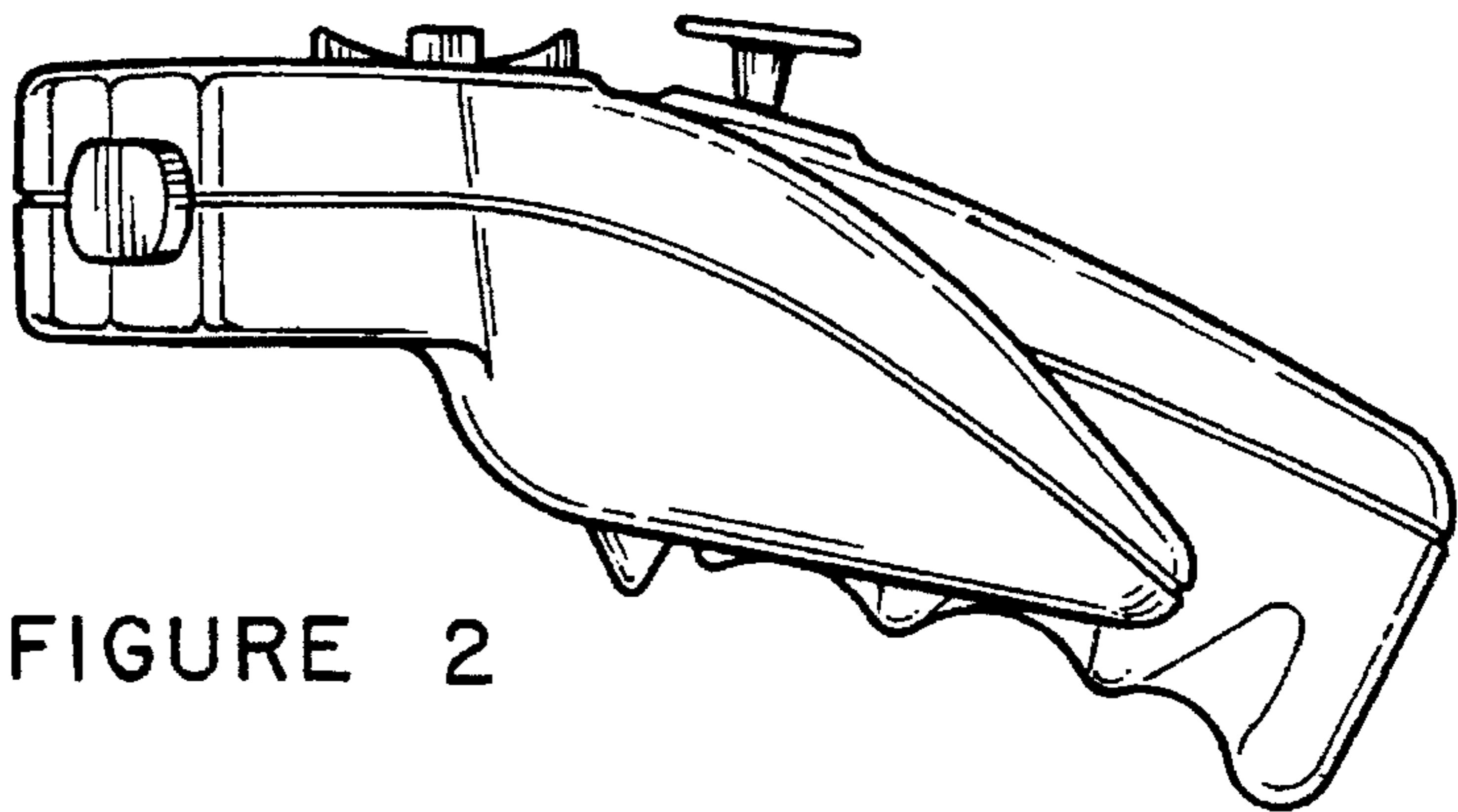


FIGURE 2

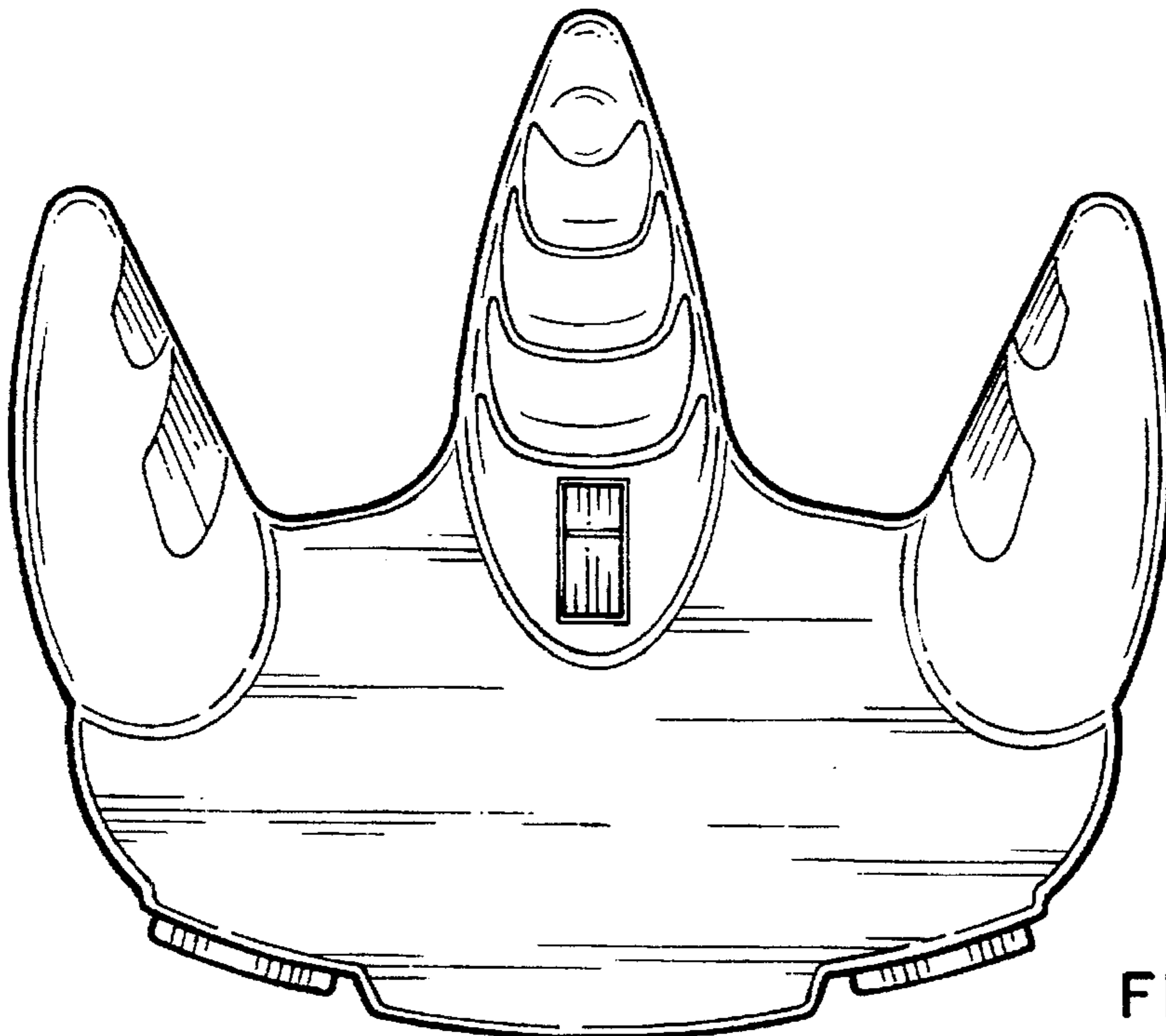


FIGURE 3

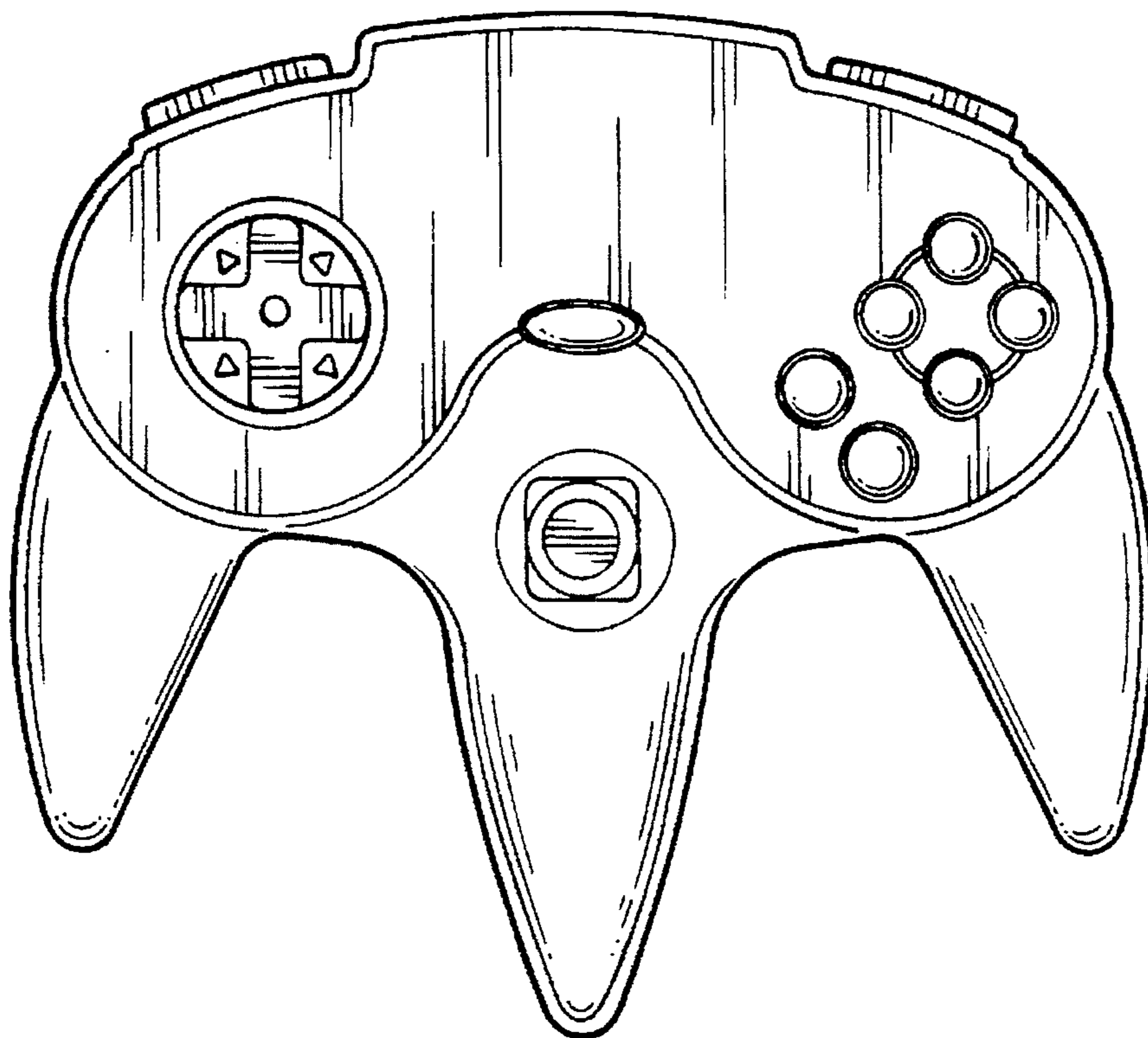


FIGURE 4

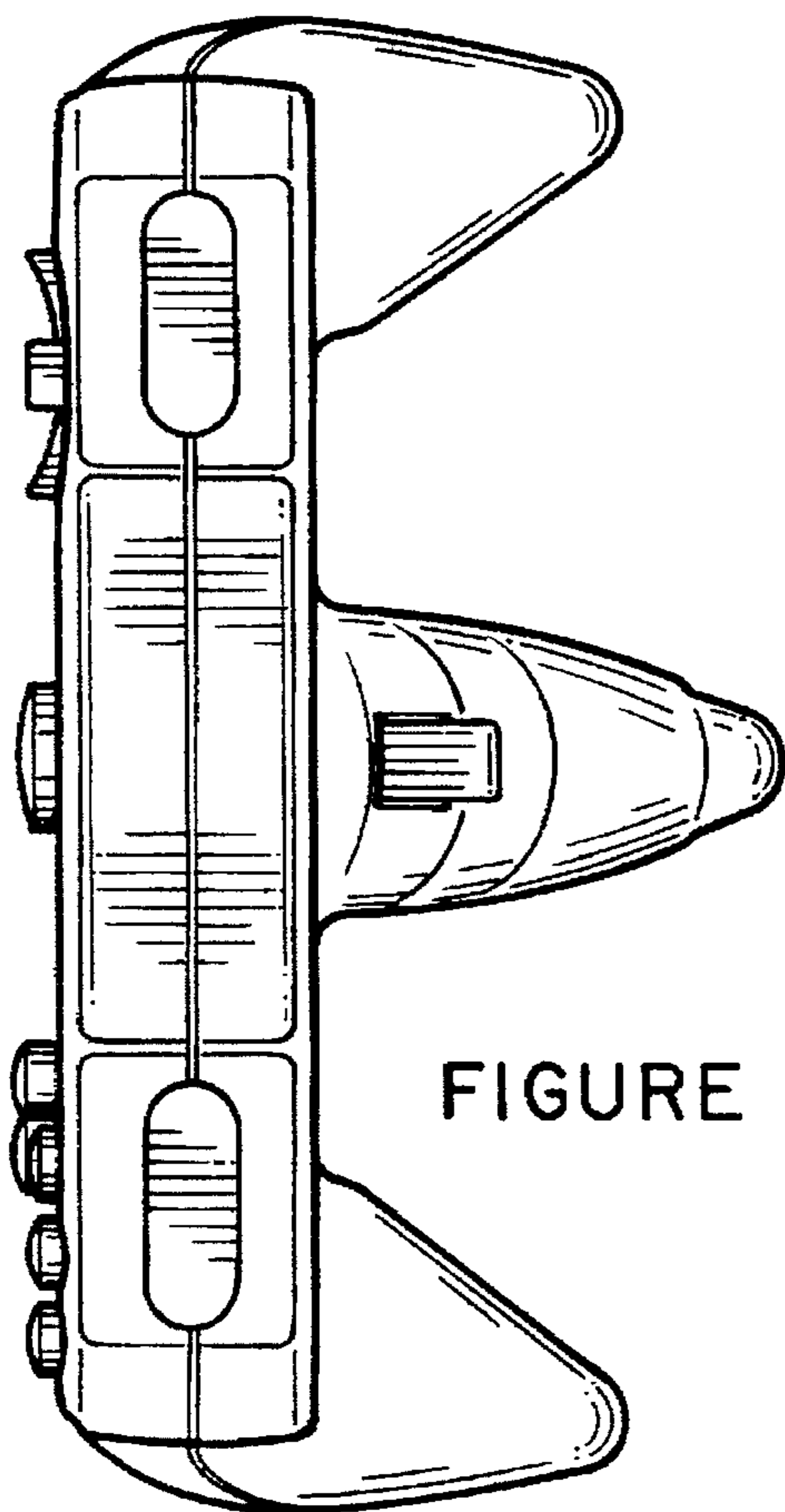


FIGURE 5

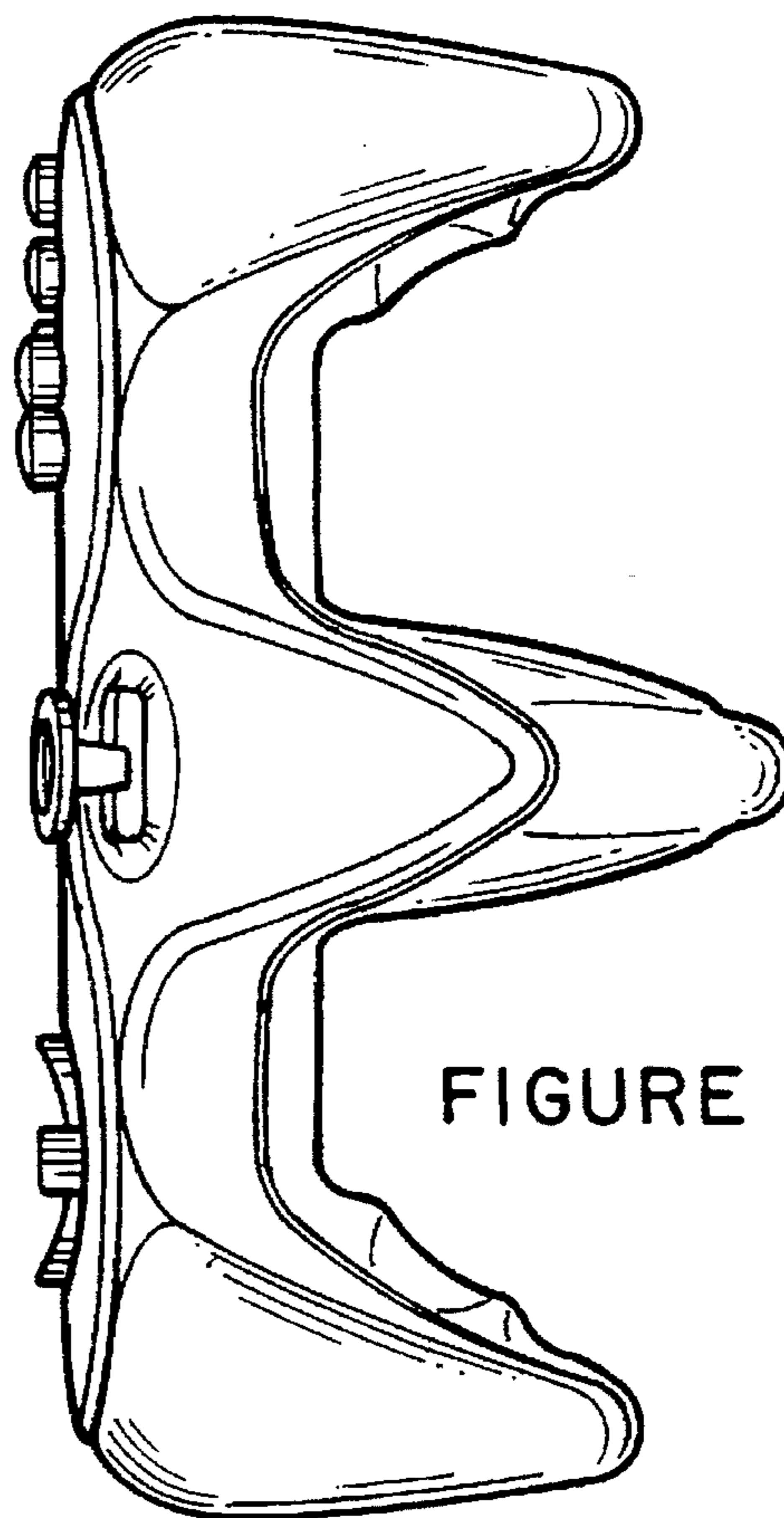


FIGURE 6