

US00D380227S

United States Patent [19]

[11] Patent Number: **Des. 380,227**

Bollé

[45] Date of Patent: ****Jun. 24, 1997**

[54] **EYEGASSES WITH VENTILATING BRIDGE**

[75] Inventor: **Maurice Bollé**, Oyonnax, France

[73] Assignee: **Etablissements Bollé S.n.c.**, Oyonnax, France

[**] Term: **14 Years**

[21] Appl. No.: **37,253**

[22] Filed: **Apr. 7, 1995**

[51] LOC (6) Cl. **16-05**

[52] U.S. Cl. **D16/314**

[58] Field of Search D16/101, 311-316, D16/319-320, 330; 351/44, 41, 45, 47, 57, 59, 83, 87, 111, 118; 2/428, 429, 430, 432, 436, 439, 447, 448, 452, 441, 443

[56] **References Cited**

U.S. PATENT DOCUMENTS

- D. 310,839 9/1990 Bollé .
- D. 317,167 5/1991 Downey D16/314
- D. 322,975 1/1992 Bollé .
- D. 323,333 1/1992 Jannard et al. .
- D. 327,283 6/1992 Bollé .
- D. 331,765 12/1992 Canavan et al. D16/314
- D. 334,389 3/1993 Bolle D16/314
- D. 344,742 3/1994 Jannard D16/314
- D. 347,016 5/1994 Bolle D16/314
- D. 347,017 5/1994 Bollé .
- D. 354,501 1/1995 Jannard .
- 2,444,498 7/1948 Cochran .
- 2,472,731 6/1949 Splaine .
- 2,513,507 7/1950 Moeller .
- 2,529,068 11/1950 Bernheim .
- 2,529,110 11/1950 Splaine .
- 2,534,655 12/1950 Baratelli .
- 2,582,345 1/1952 Moeller .
- 2,648,067 8/1953 Parmelee .
- 3,233,249 2/1966 Baratelli .
- 4,102,566 7/1978 Shelton .

- 4,243,306 1/1981 Bononi .
- 4,730,915 3/1988 Jannard .
- 4,834,523 5/1989 Porsche .
- 4,859,048 8/1989 Jannard .
- 4,861,151 8/1989 Negishi .
- 4,951,322 8/1990 Lin .
- 5,170,502 12/1992 Hegendorfer et al. 2/443
- 5,428,410 6/1995 Lei 2/441

FOREIGN PATENT DOCUMENTS

2395522 6/1977 France .

OTHER PUBLICATIONS

Bollé product catalogue, © 1991, Bollé America, Inc., Denver, Colorado.
 Bollé product catalogue, © 1993, Bollé America, Inc., Denver, Colorado.
 Bollé product catalogue, © 1994, Bollé America, Inc., Denver, Colorado.
 "Wrap-Around Spectacle by Den," product information sheet, believed publ. on or before 1993.
 "Gargoyles Solar Eye Armor," advertisement in *Elle*, May 1988, pp. 293-294, Gargoyles, Kent, Washington.

Primary Examiner—Raphael Barkai
Attorney, Agent, or Firm—Holland & Hart LLP

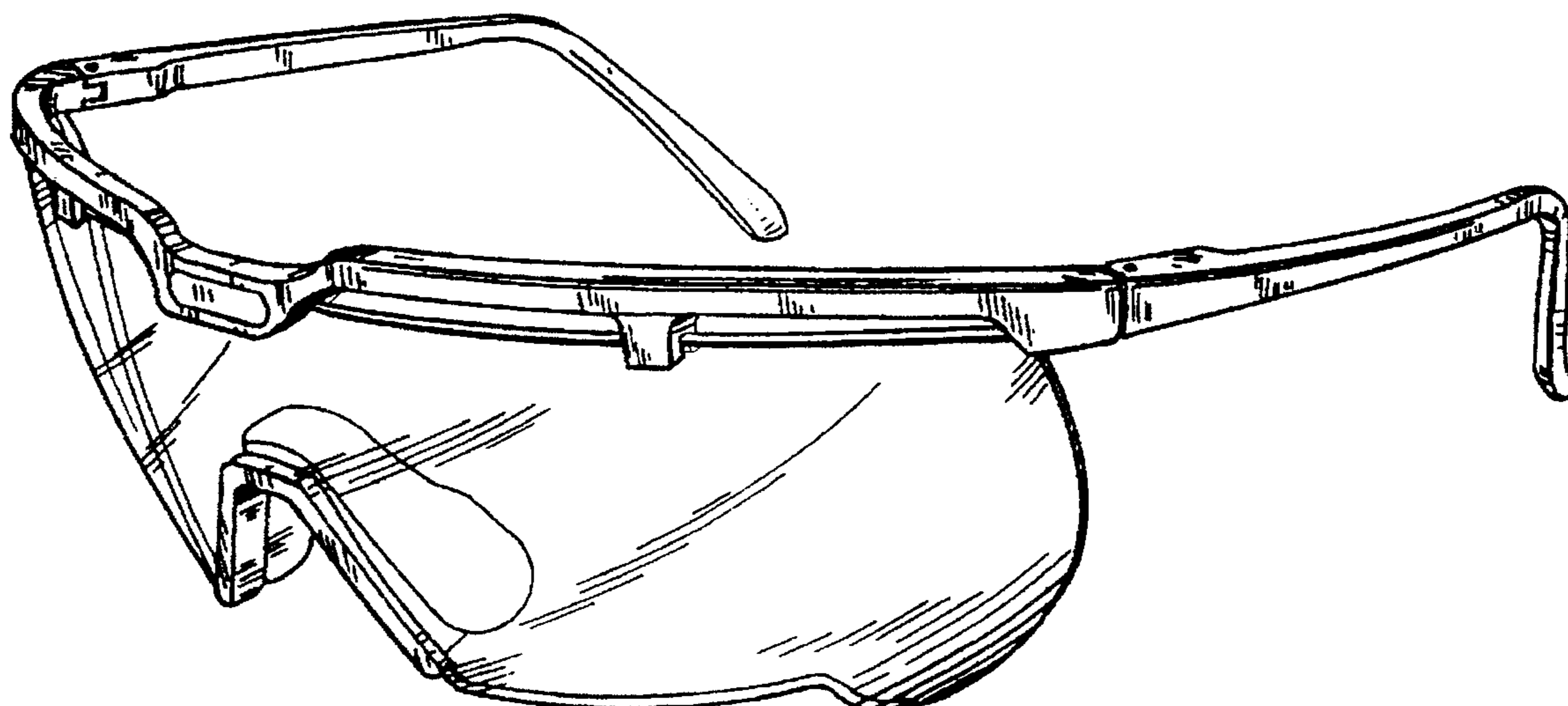
[57] **CLAIM**

The ornamental design for eyeglasses with ventilating bridge, as shown and described.

DESCRIPTION

FIG. 1 is a perspective view of eyeglasses with ventilating bridge showing my new design;
 FIG. 2 is a front elevational view thereof;
 FIG. 3 is a top view thereof;
 FIG. 4 is a side elevational view, the opposite side being a mirror image thereof;
 FIG. 5 is a bottom view thereof; and,
 FIG. 6 is a rear elevational view thereof.

1 Claim, 3 Drawing Sheets



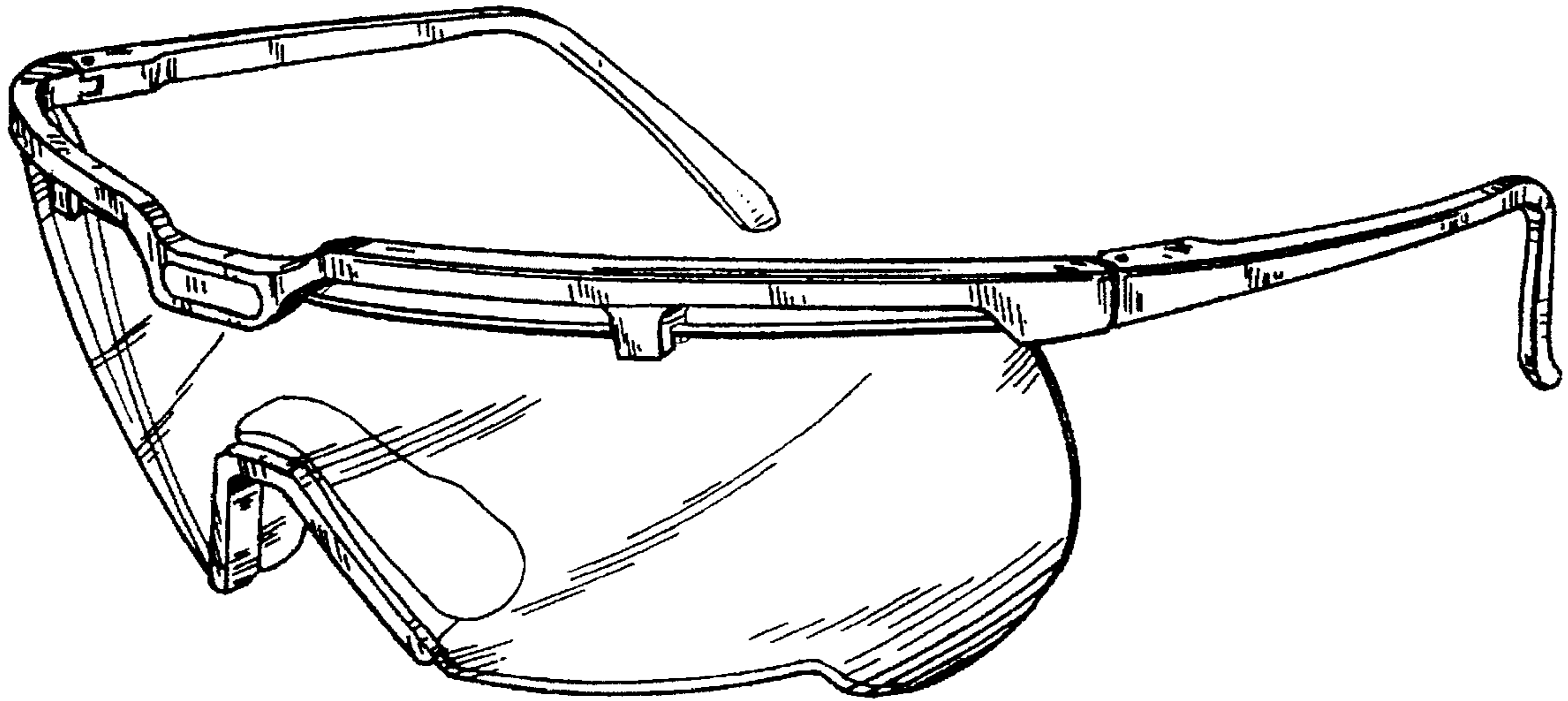


Fig. 1

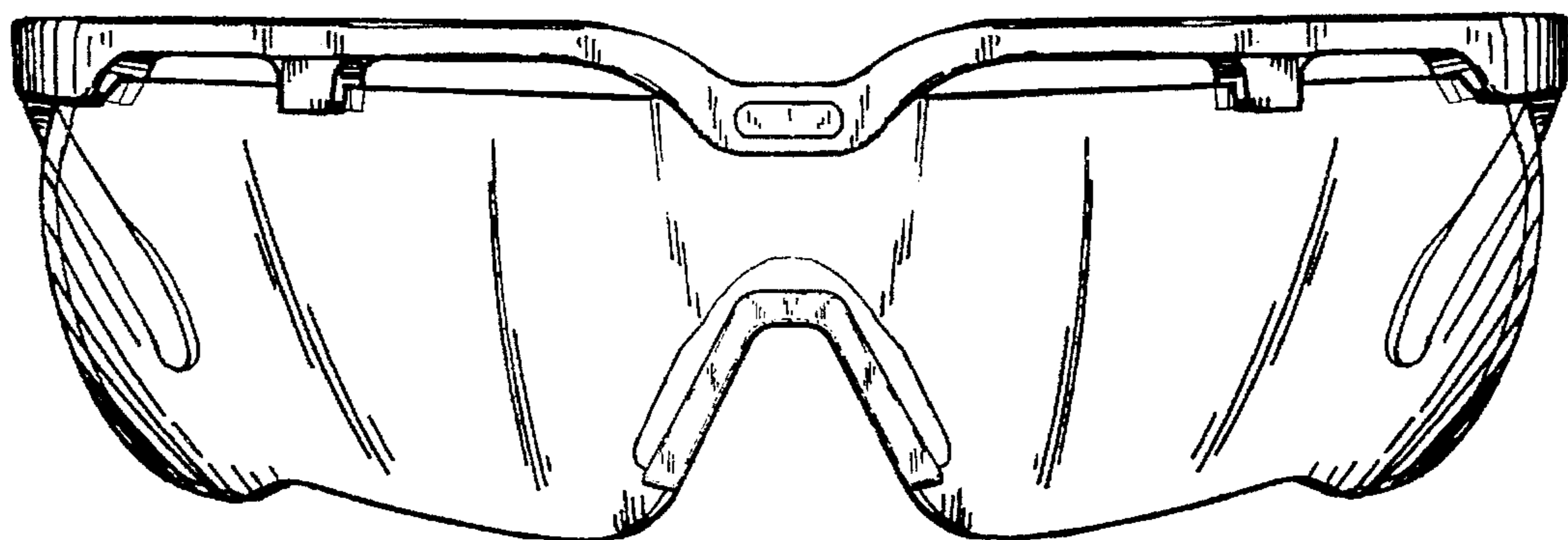


Fig. 2

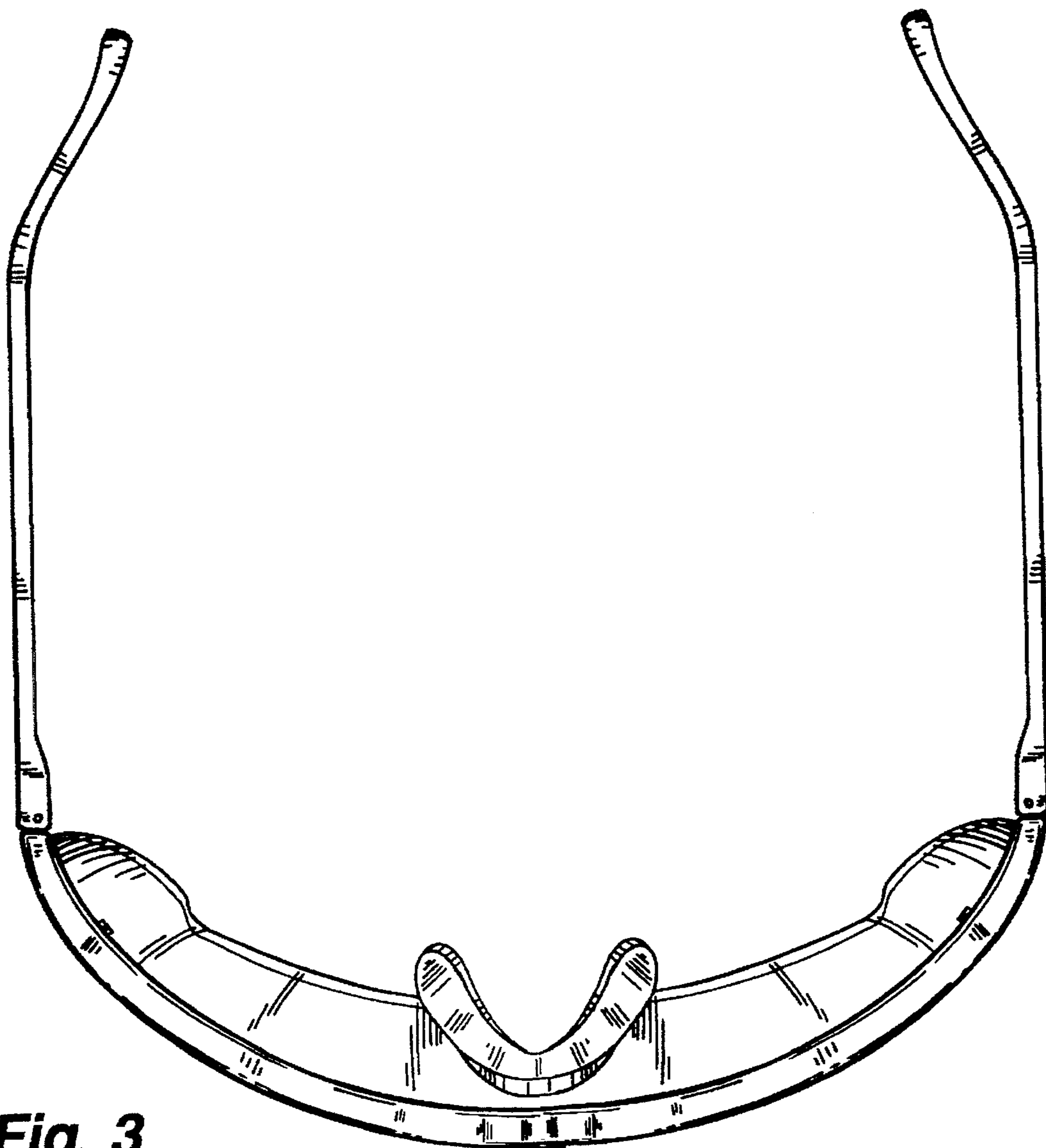


Fig. 3

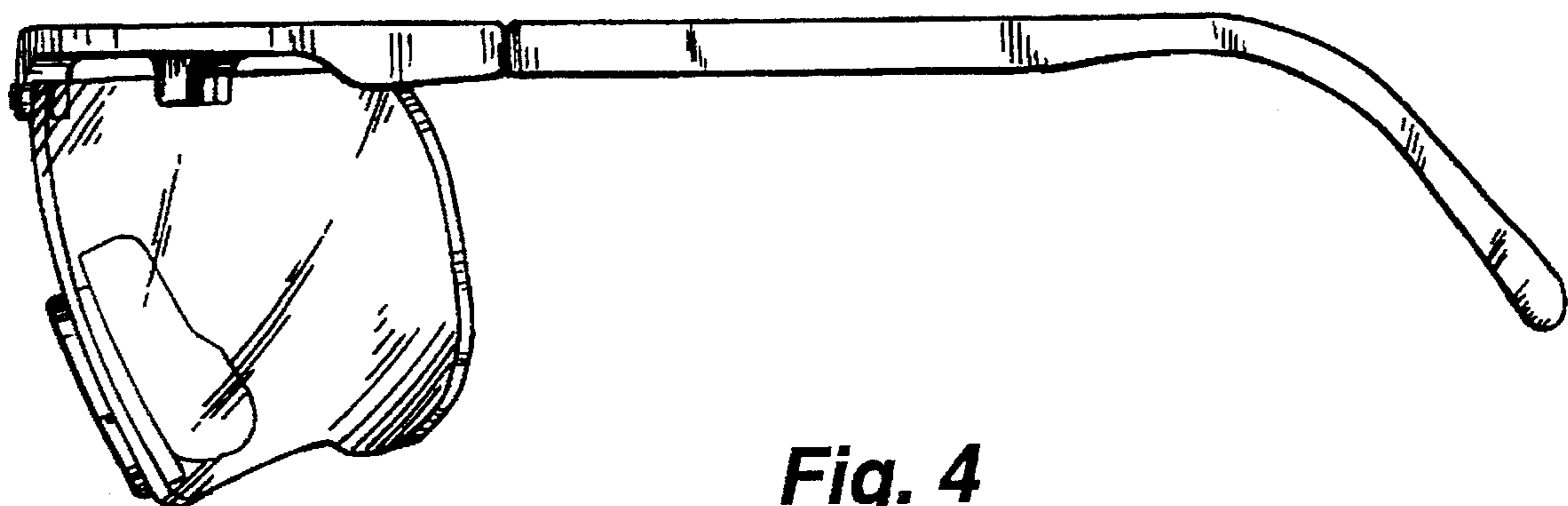


Fig. 4

Fig. 5

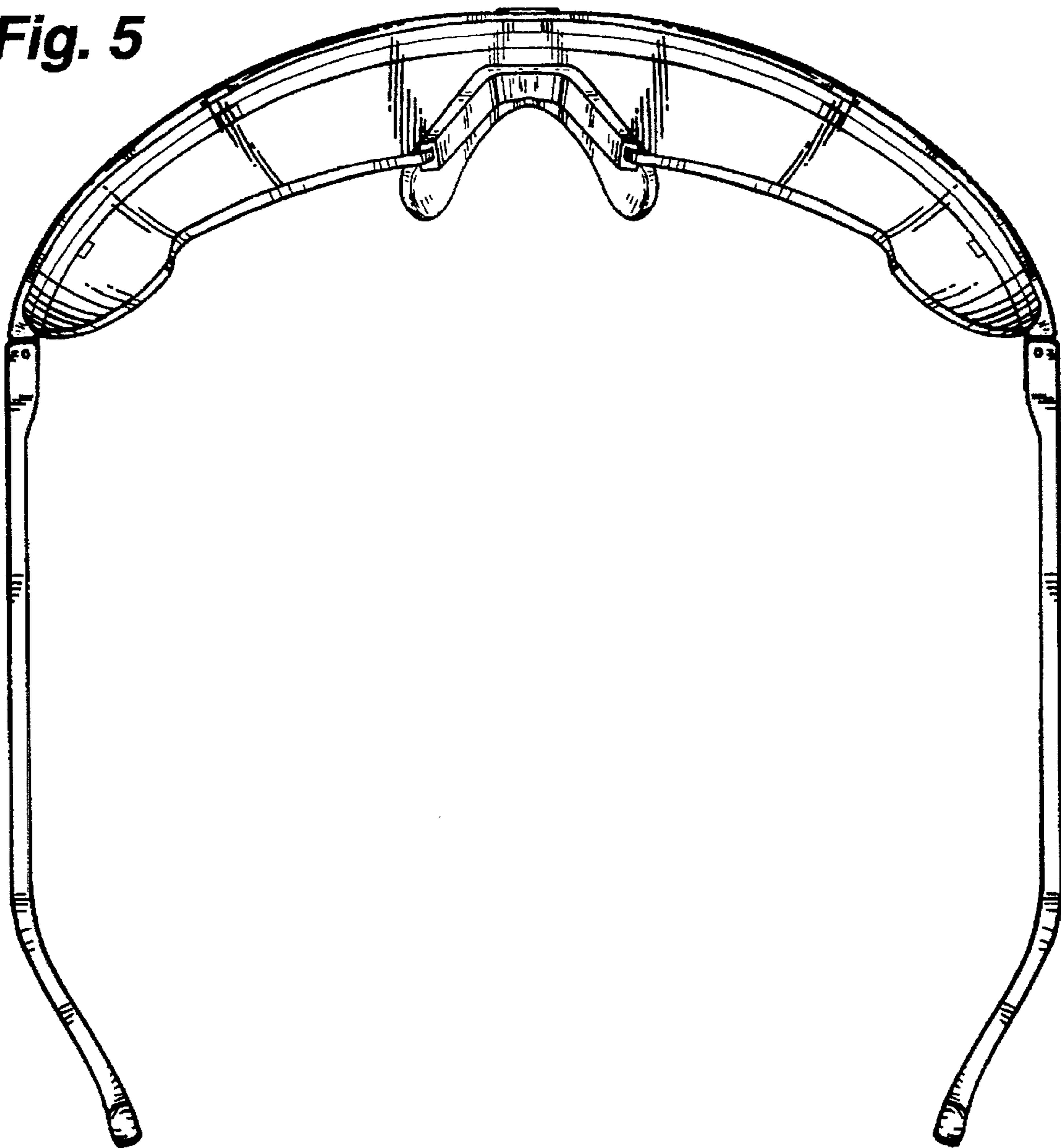


Fig. 6

