



US00D380226S

United States Patent [19]

Ohi et al.

[11] Patent Number: Des. 380,226

[45] Date of Patent: **Jun. 24, 1997

[54] COMBINED MONITOR, VIDEO TAPE RECORDER AND VIDEO CAMERA

4,873,576 10/1989 Hattori et al. 348/373
5,442,453 8/1995 Takagi et al. 348/374

[75] Inventors: Hiroshi Ohi; Seiji Kurokawa; Katsunori Kume, all of Tochigi-ken, Japan

FOREIGN PATENT DOCUMENTS

581286A1 2/1994 European Pat. Off. H04N 5/225

[73] Assignee: Sharp Kabushiki Kaisha, Osaka, Japan

OTHER PUBLICATIONS

Camcorder, Dec. 1993 p. 124 (VL-E3OU ViewCam).

[**] Term: 14 Years

Primary Examiner—Ted Shooman
Assistant Examiner—Adir Aronovich
Attorney, Agent, or Firm—Nixon & Vanderhye

[21] Appl. No.: 50,416

[22] Filed: Feb. 20, 1996

[57] CLAIM

[30] Foreign Application Priority Data

Aug. 24, 1995 [JP] Japan 7-24897

The ornamental design for a “combined monitor, video tape recorder and video camera”, as shown and described.

[51] LOC (6) Cl. 16-01

DESCRIPTION

[52] U.S. Cl. D16/202

[58] Field of Search D16/200-206,
D16/208; 348/373-376; 354/75, 76, 82,
288; 358/906, 909.1; H04N 5/225

FIG. 1 is a top, rear and left side perspective view of a combined monitor, video tape recorder and video camera according to our design;

FIG. 2 is a view similar to FIG. 1 with the tape deck section rotated 180° relative to the camera section;

FIG. 3 is a top plan view of the combined monitor, video tape recorder and video camera illustrated in FIG. 1;

FIG. 4 is a front elevational view thereof;

FIG. 5 is a rear elevational view thereof;

FIG. 6 is a bottom plan view thereof;

FIG. 7 is a left side elevational view thereof;

FIG. 8 is a right side elevational view thereof; and,

FIG. 9 is a top, front and right side perspective view thereof.

[56] References Cited

U.S. PATENT DOCUMENTS

- D. 352,728 11/1994 Kurokawa et al. D16/202
- D. 352,729 11/1994 Tsujimura et al. D16/202
- D. 356,097 3/1995 Sakata et al. D16/202
- D. 356,326 3/1995 Miyashita D16/202
- D. 365,116 12/1995 Ohi et al. D16/202
- D. 366,269 1/1996 Ohi et al. D16/202
- D. 366,492 1/1996 Kume et al. D16/202

1 Claim, 8 Drawing Sheets

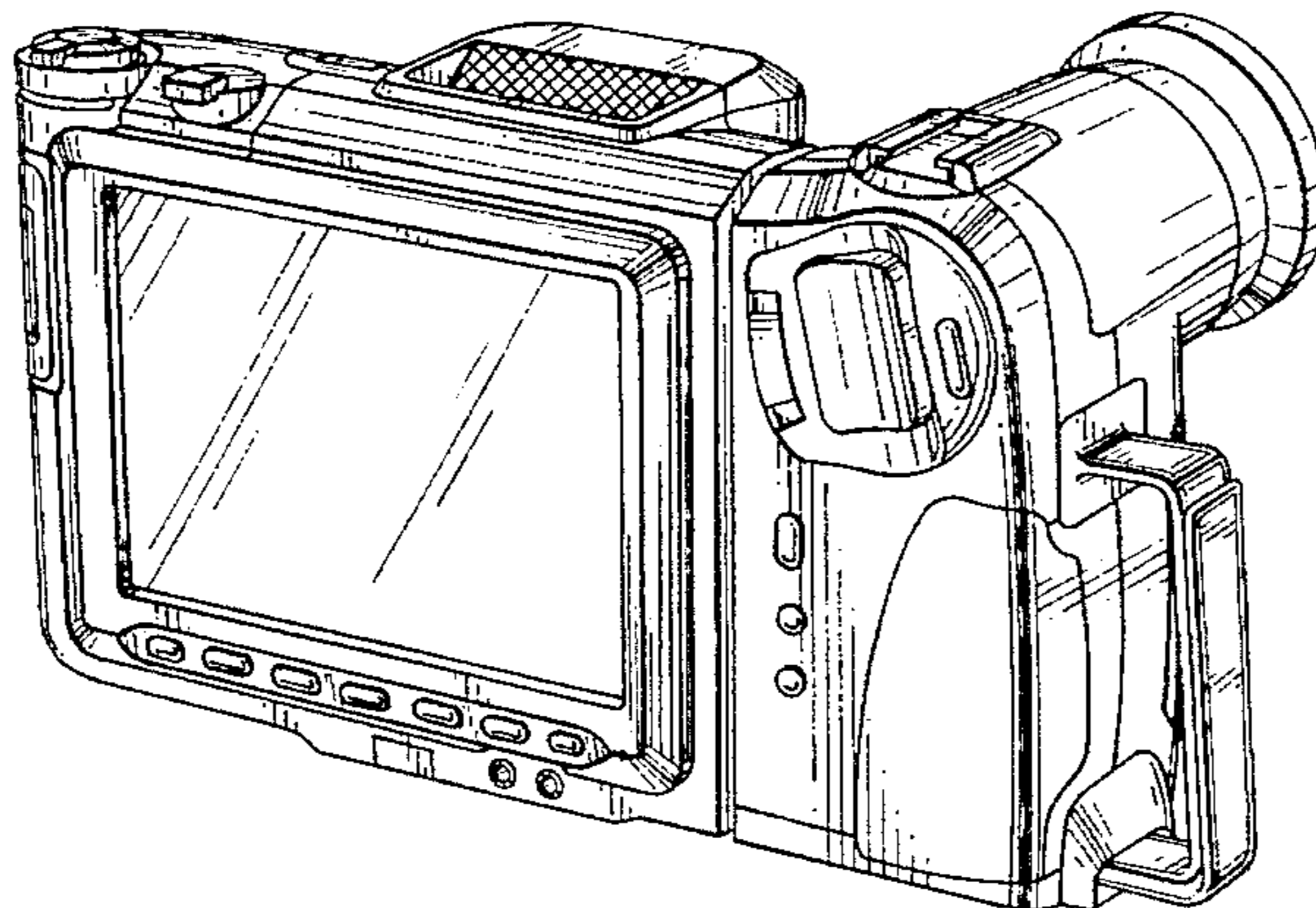
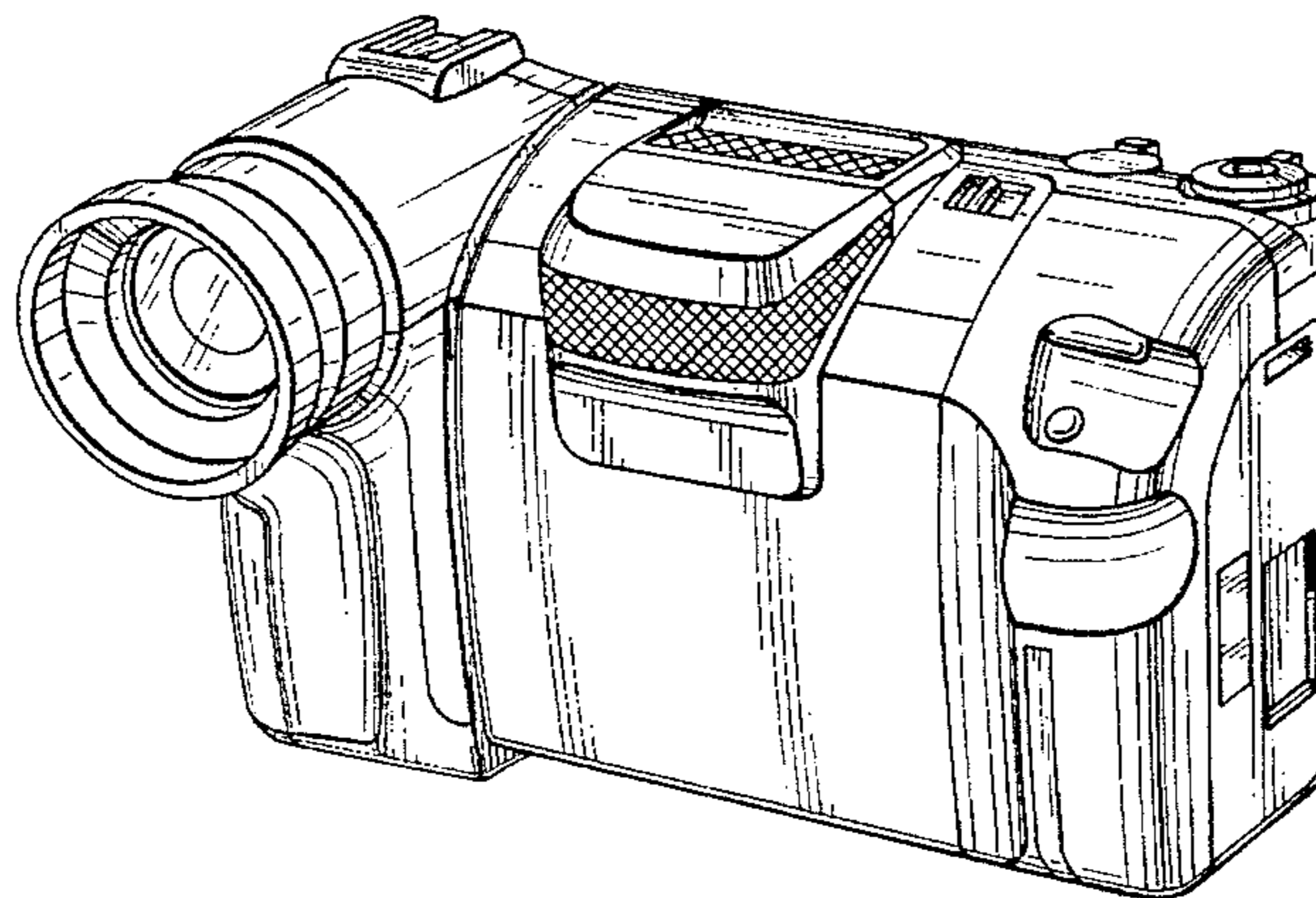


FIG. 1

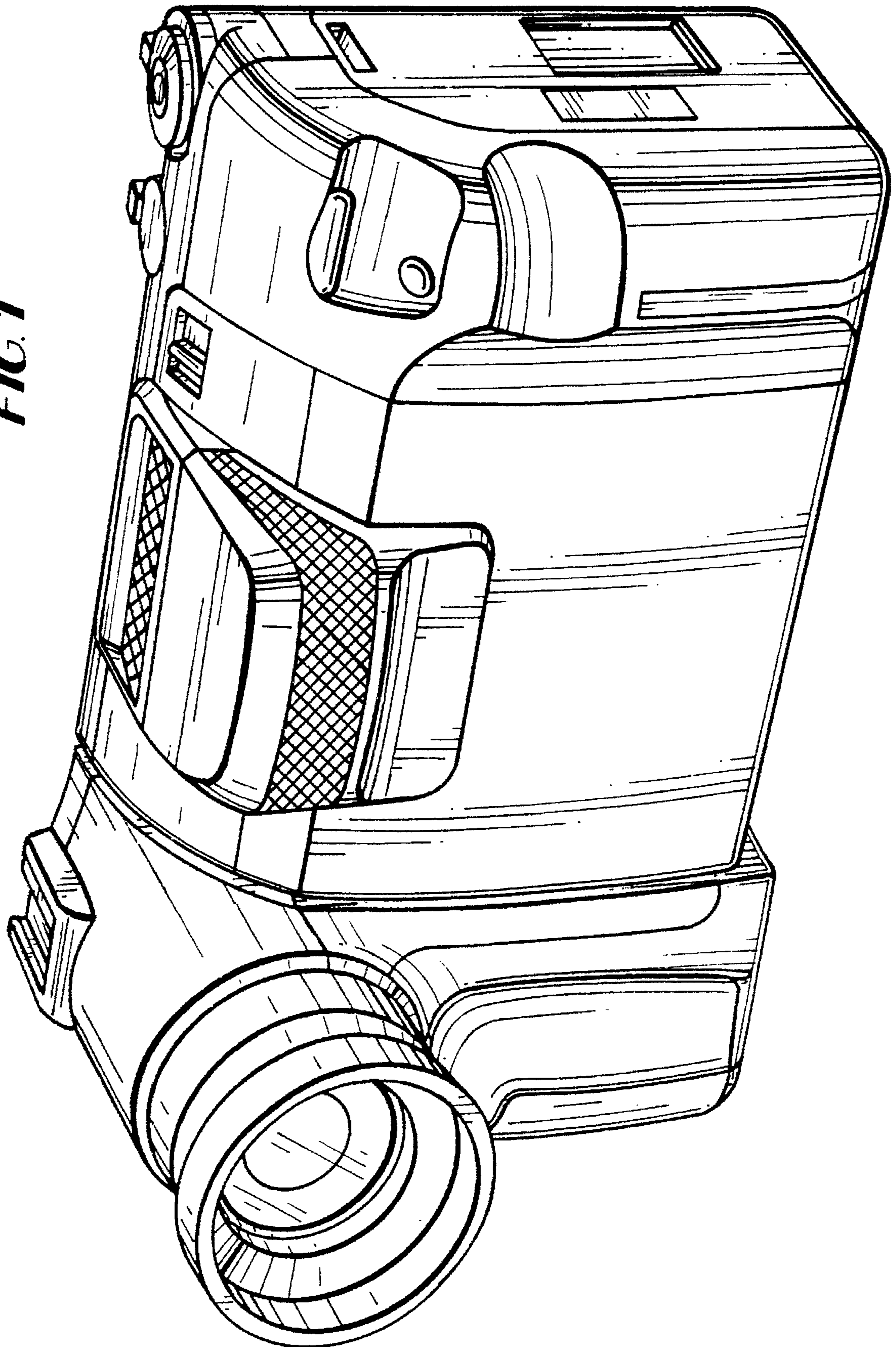
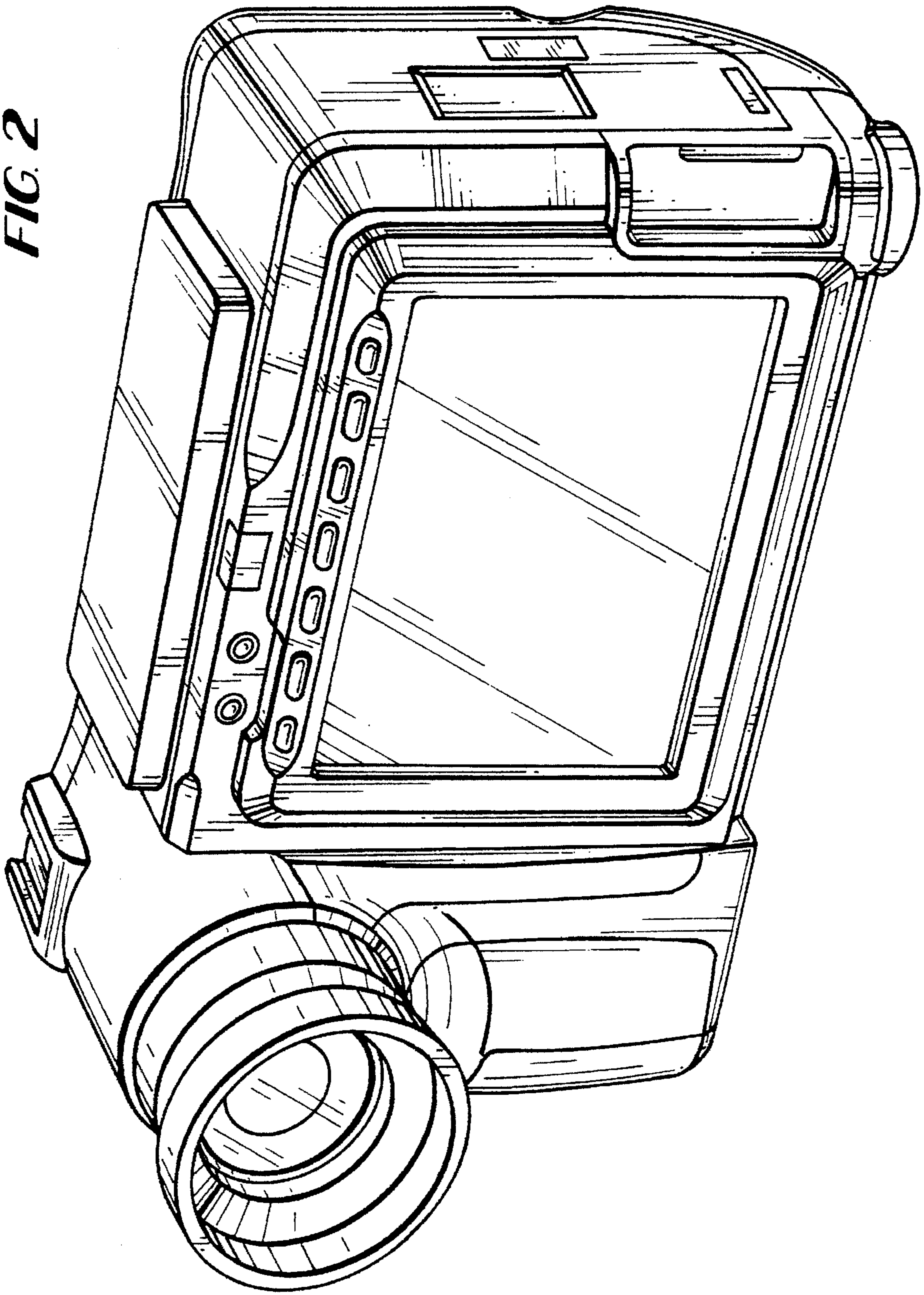


FIG. 2



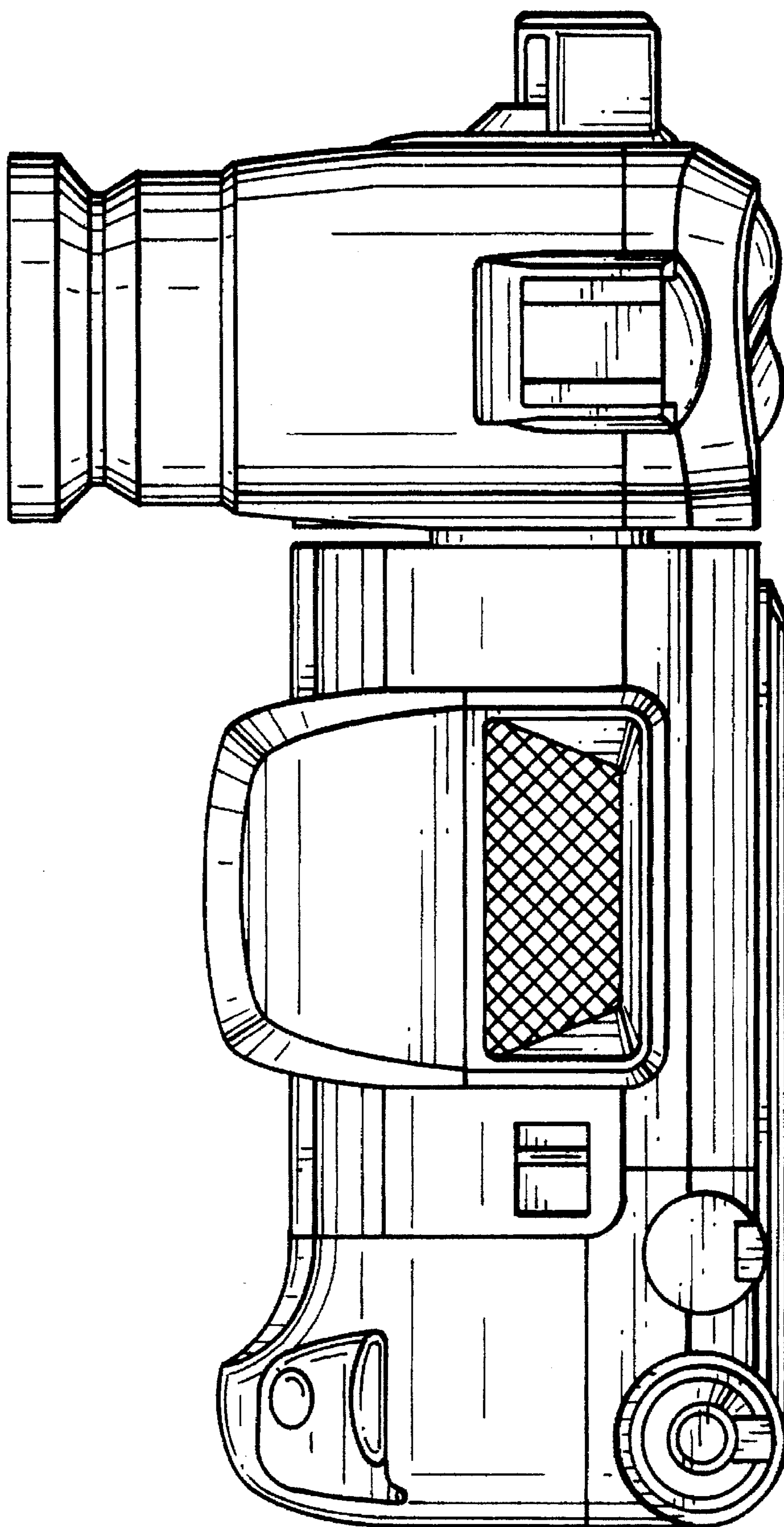


FIG. 3

FIG. 4

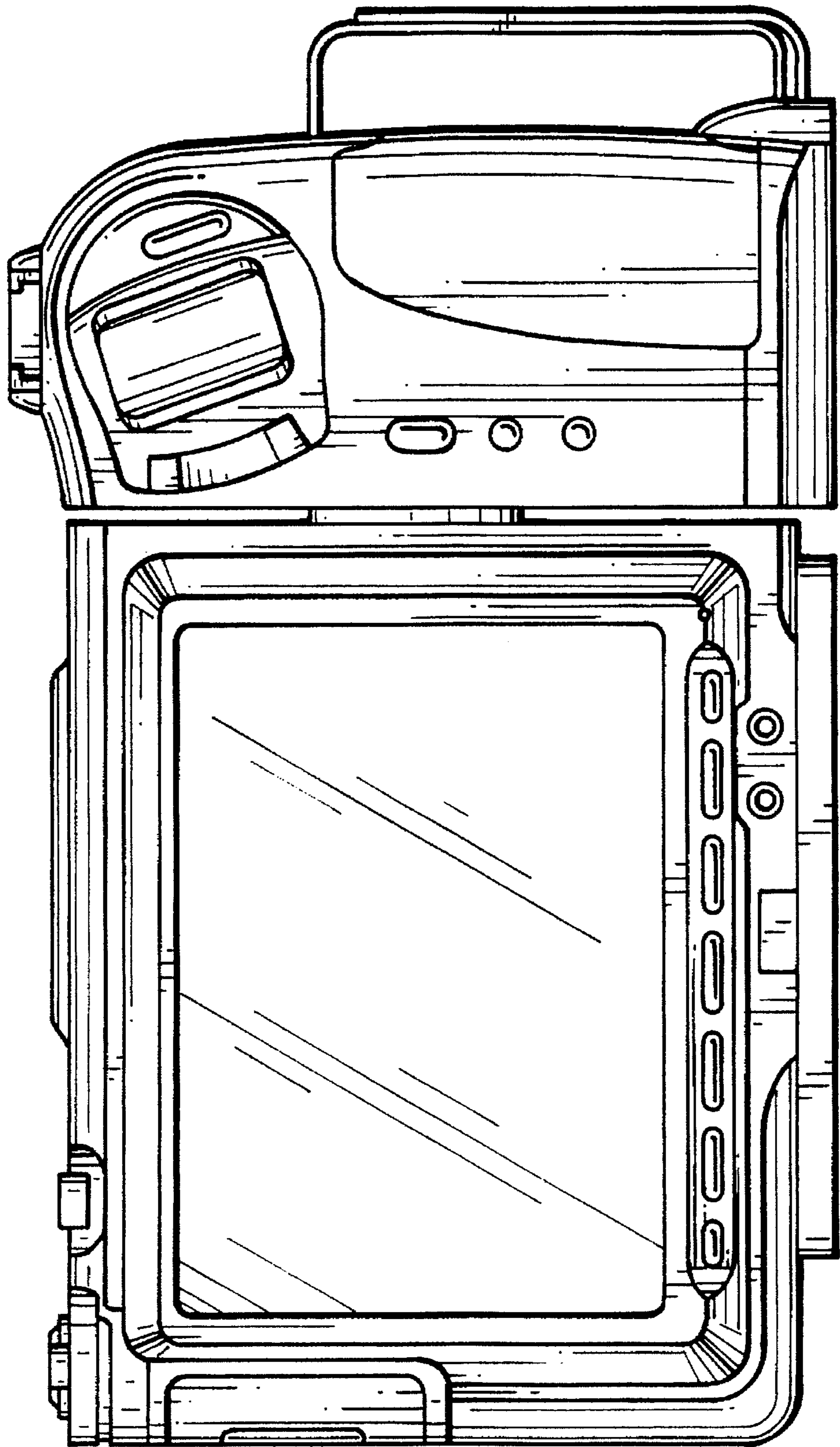


FIG. 5

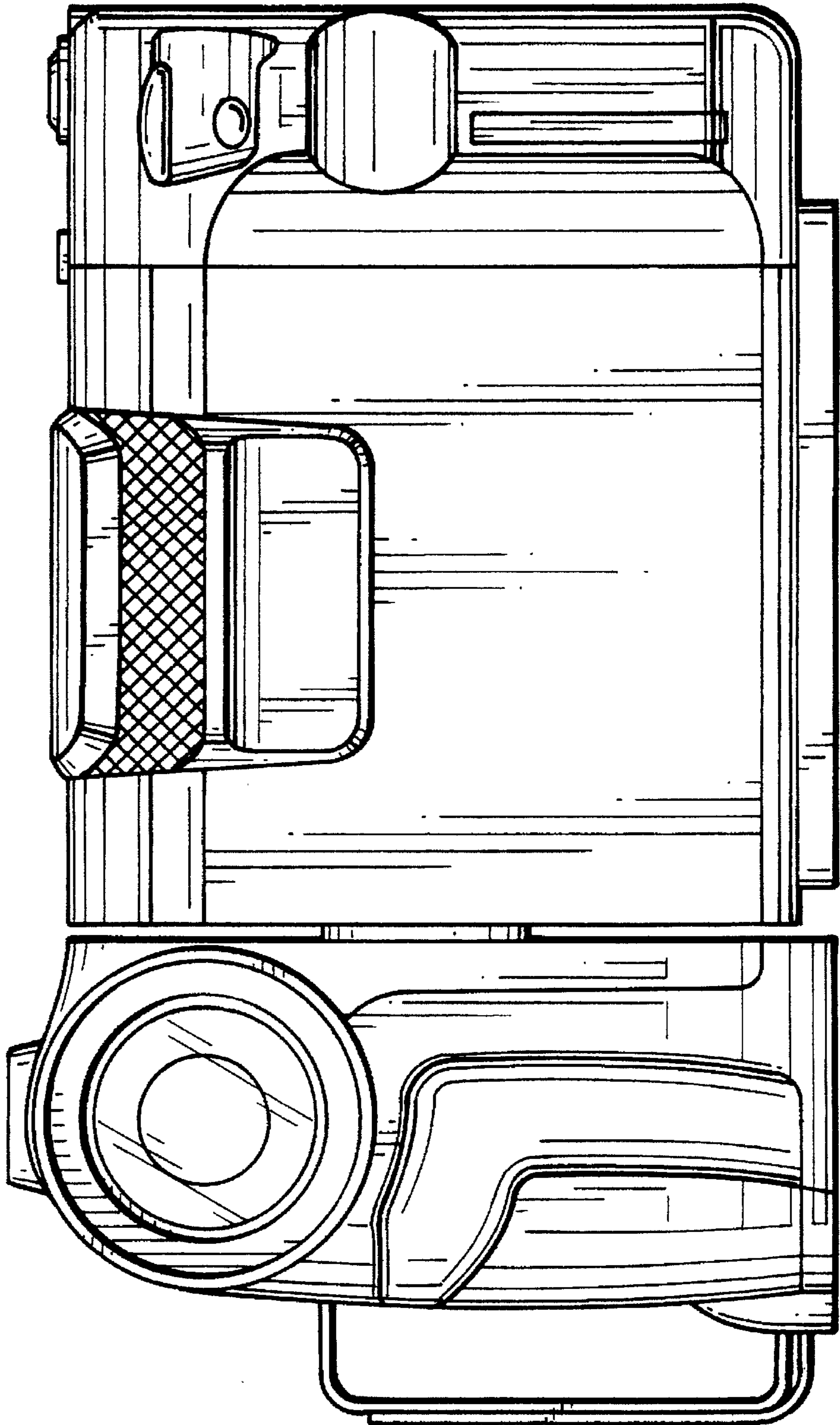
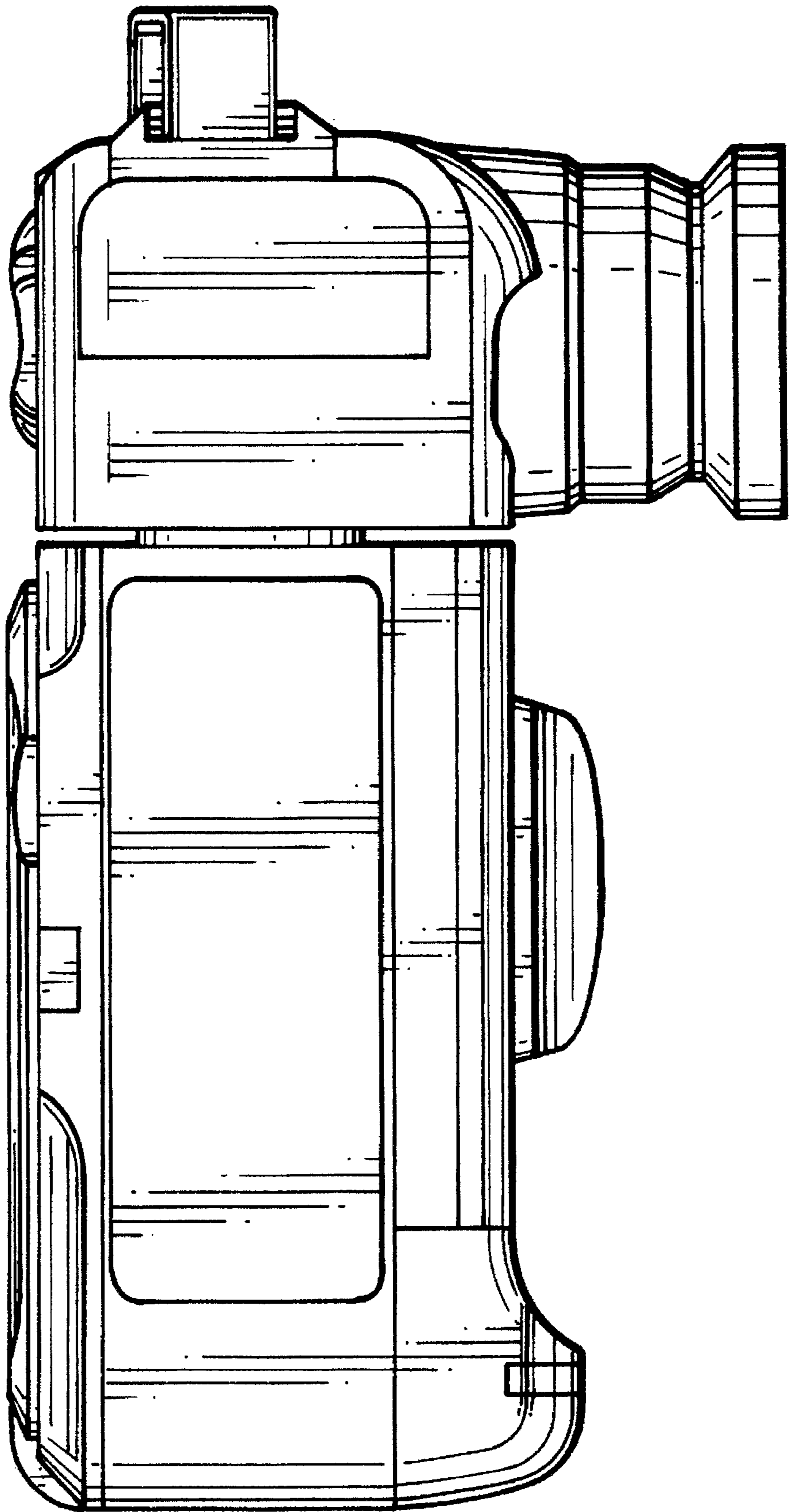


FIG. 6



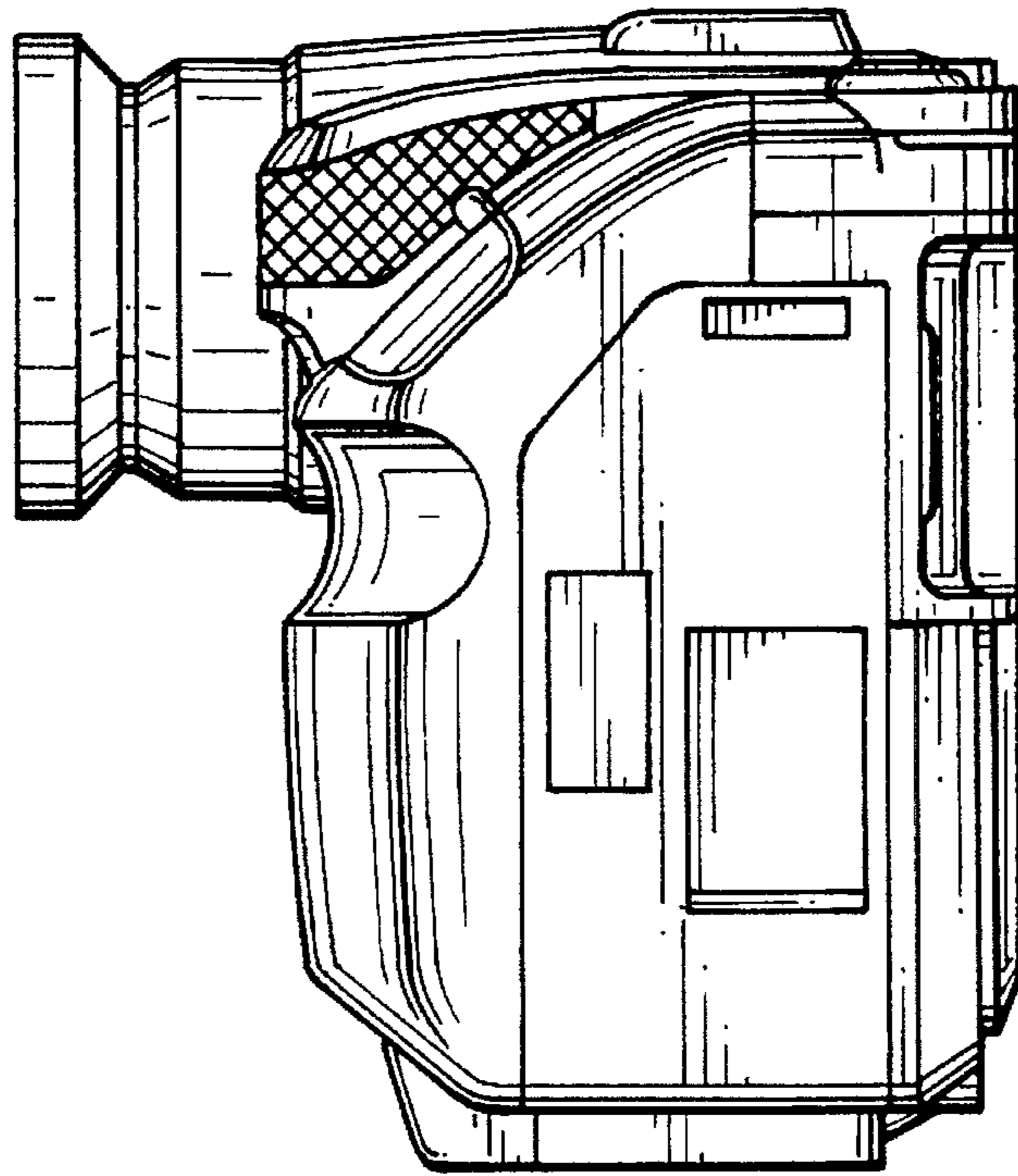


FIG. 7

FIG. 8

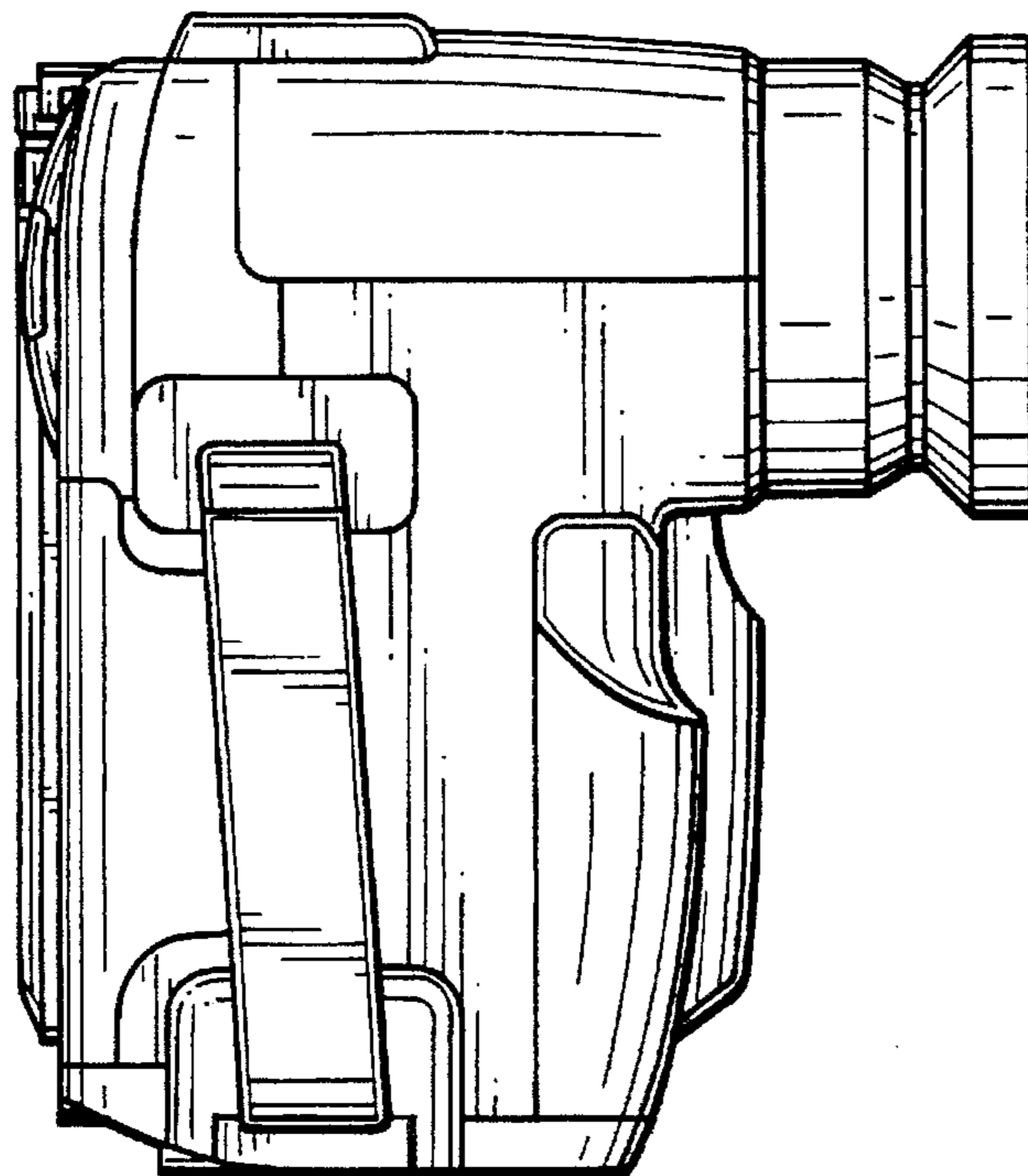


FIG. 9

