

US00D380224S

# United States Patent [19]

Kung

[11] Patent Number: Des. 380,224

[45] Date of Patent: \*\*Jun. 24, 1997

[54] COMBINED BINOCULARS, TELESCOPE AND COMPASS

[76] Inventor: **Su-Min Kung**, 8 Fl., No. 276-2, Sec. 1, Ta-Tung Road, Hsi Chih Town, Taipei Hsien, Taiwan

[\*\*] Term: 14 Years

[21] Appl. No.: 53,077

[22] Filed: Apr. 16, 1996

[51] LOC (6) Cl. .... 16-06

[52] U.S. Cl. .... D16/133; D10/68; D16/132

[58] Field of Search ..... D16/133, 132; D10/68; 359/407-422, 508, 554, 556, 579, 809, 480, 399, 404

[56] **References Cited**

**U.S. PATENT DOCUMENTS**

- D. 221,481 8/1971 Hoffmann ..... D16/133
- D. 240,269 6/1976 Johansson ..... D16/133

- D. 365,831 1/1996 Miyahara et al. .... D16/133
- D. 371,786 7/1996 Maeyama ..... D16/132 X
- 3,864,015 2/1975 Ilg ..... D16/133 X
- 5,000,556 3/1991 Katsuma ..... 359/421 X

Primary Examiner—Doris V. Coles  
Attorney, Agent, or Firm—Ostrolenk, Faber, Gerb & Soffen, LLP

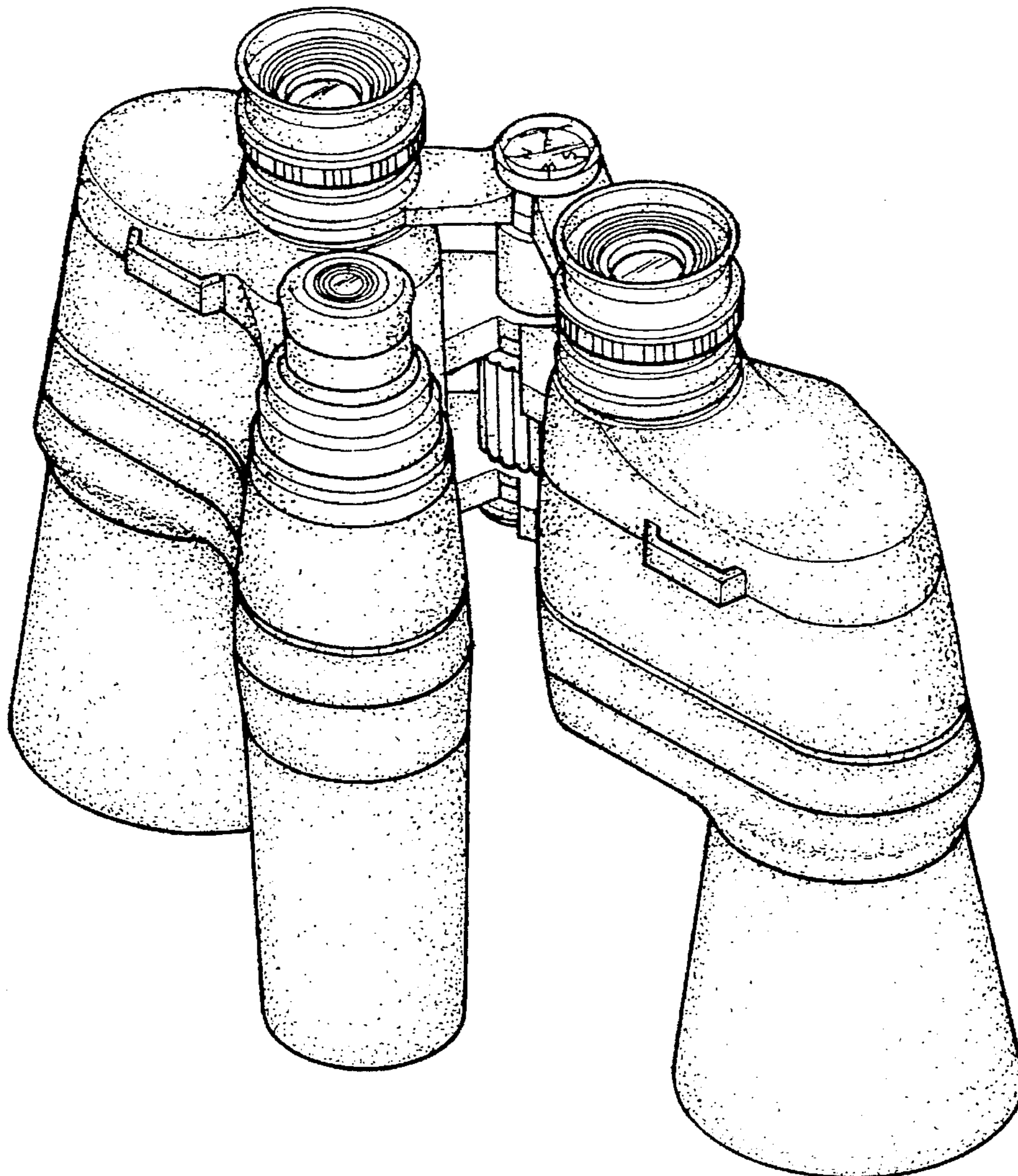
[57] **CLAIM**

The ornamental design for combined binoculars, telescope and compass, as shown and described.

**DESCRIPTION**

FIG. 1 is a perspective view of combined binoculars, telescope and compass showing my new design; FIG. 2 is a front elevational view thereof; FIG. 3 is a rear elevational view thereof; FIG. 4 is a left side elevational view thereof; FIG. 5 is a right side elevational view thereof; FIG. 6 is a top view thereof; and, FIG. 7 is a bottom view thereof.

1 Claim, 7 Drawing Sheets



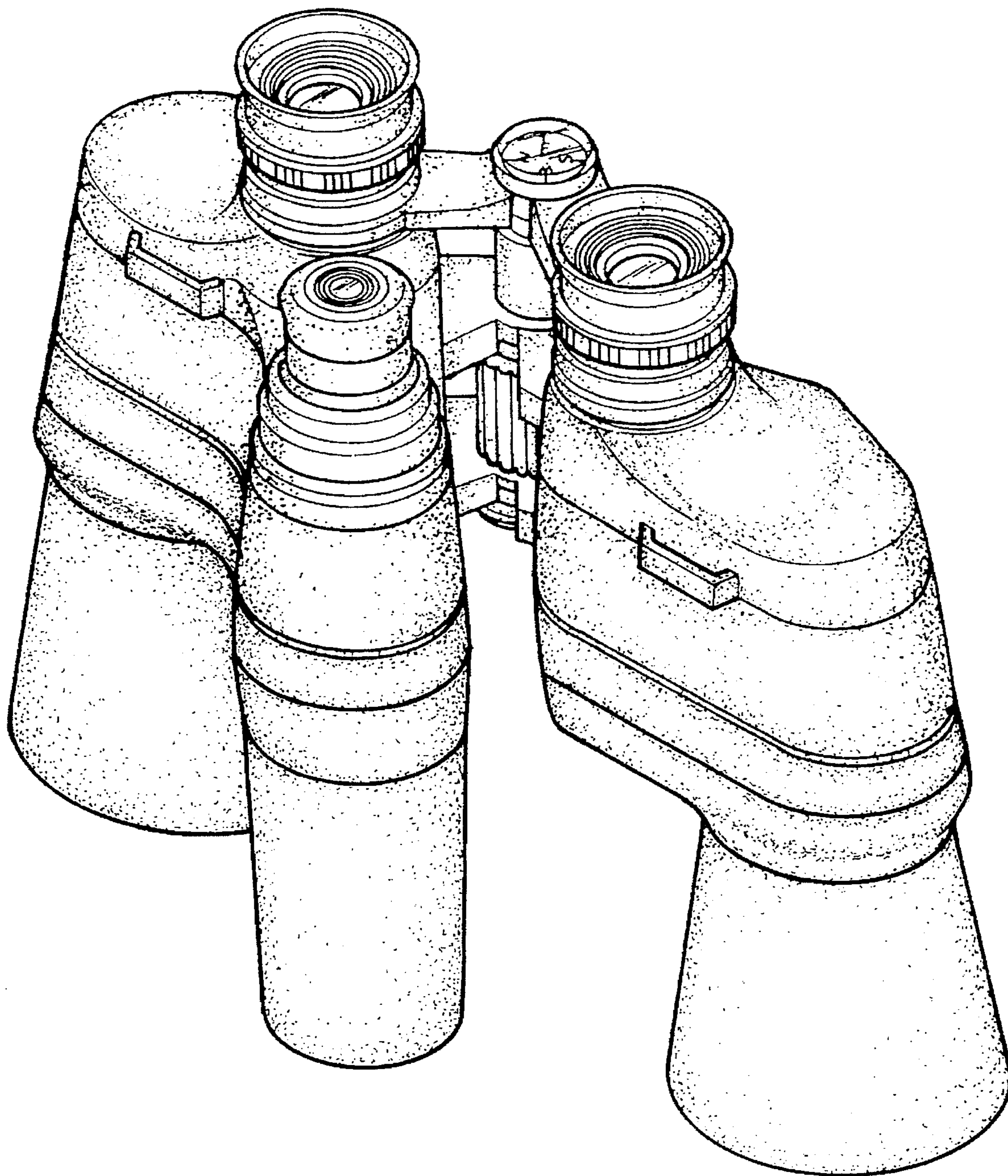


FIG. 1

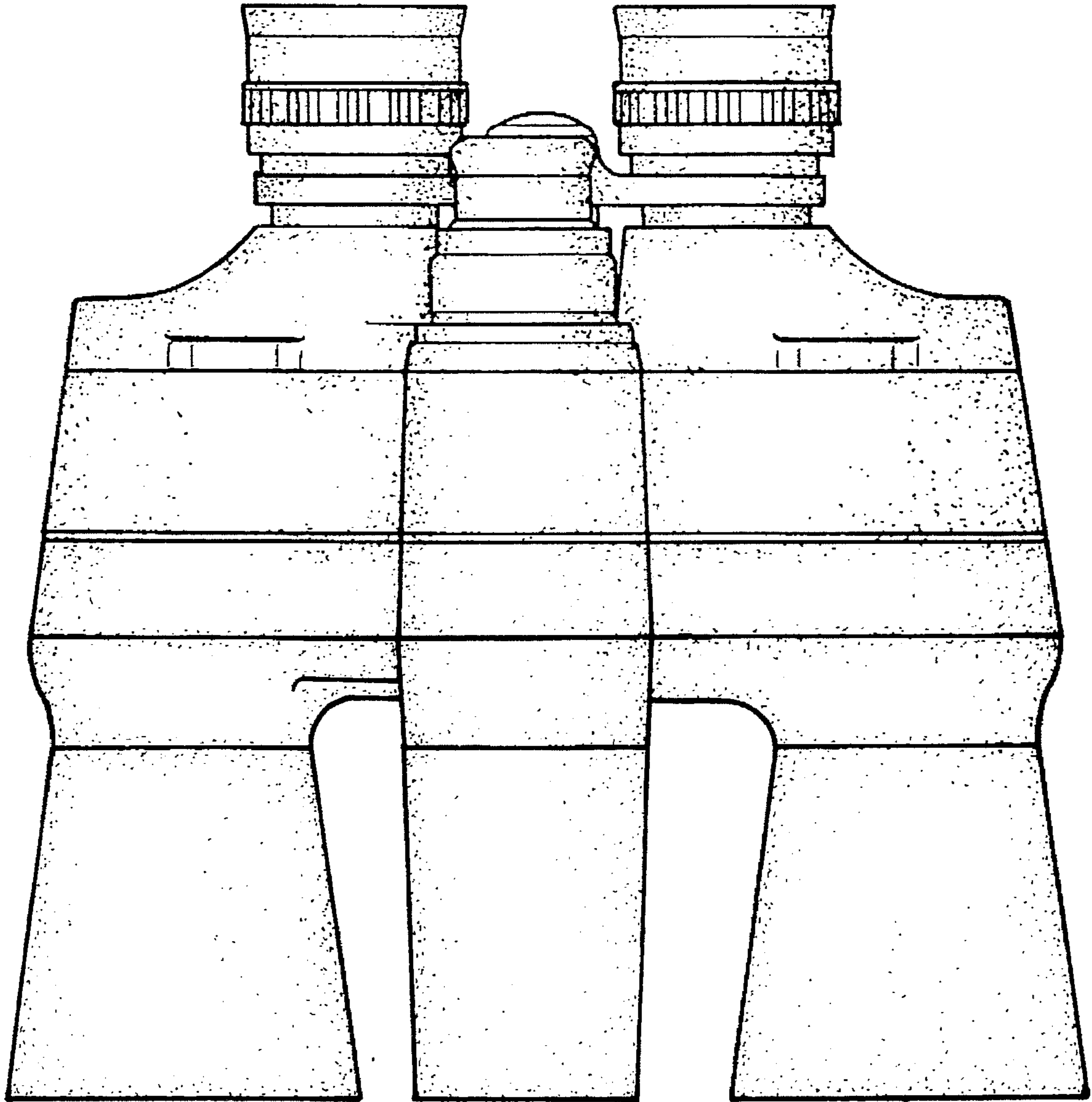


FIG. 2

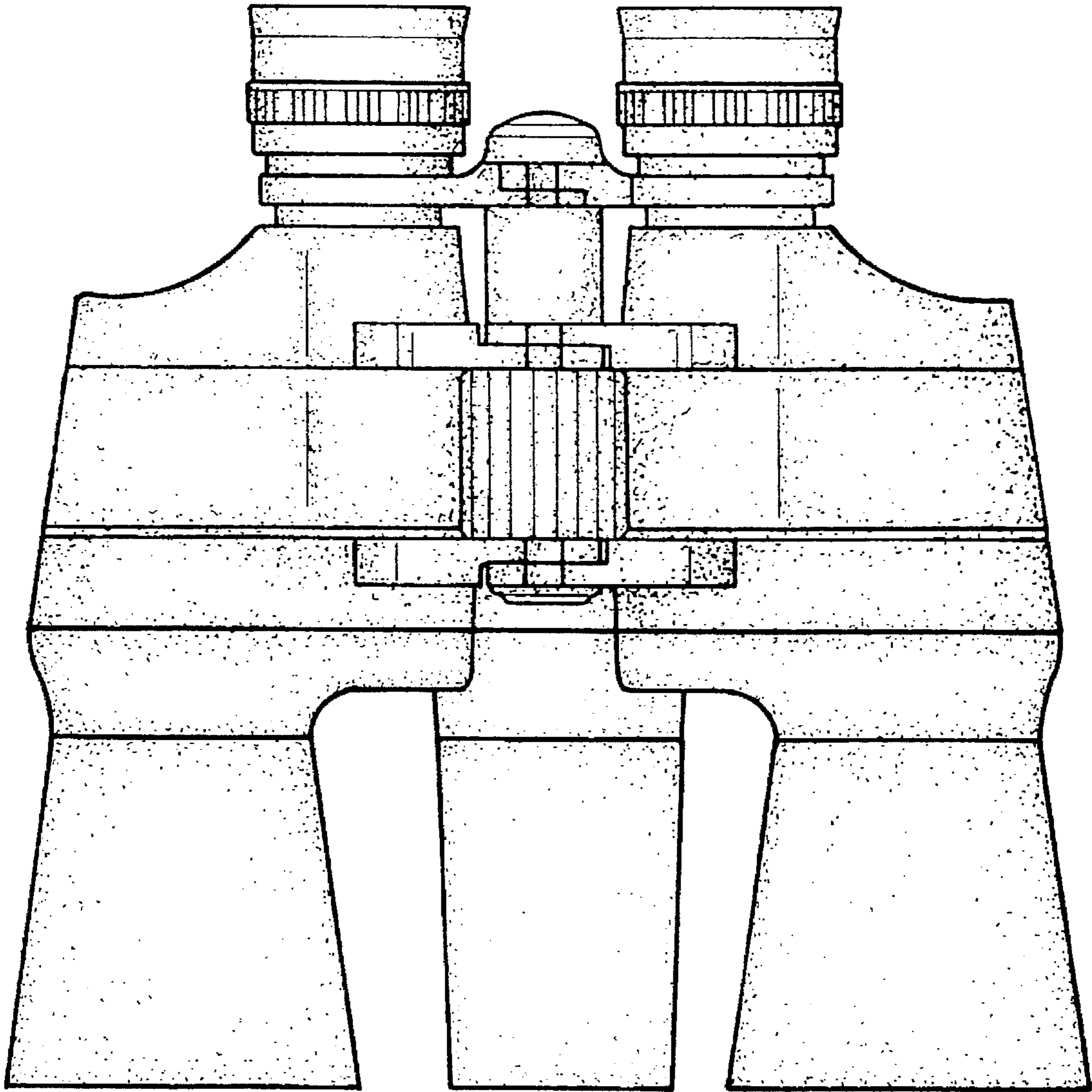


FIG. 3

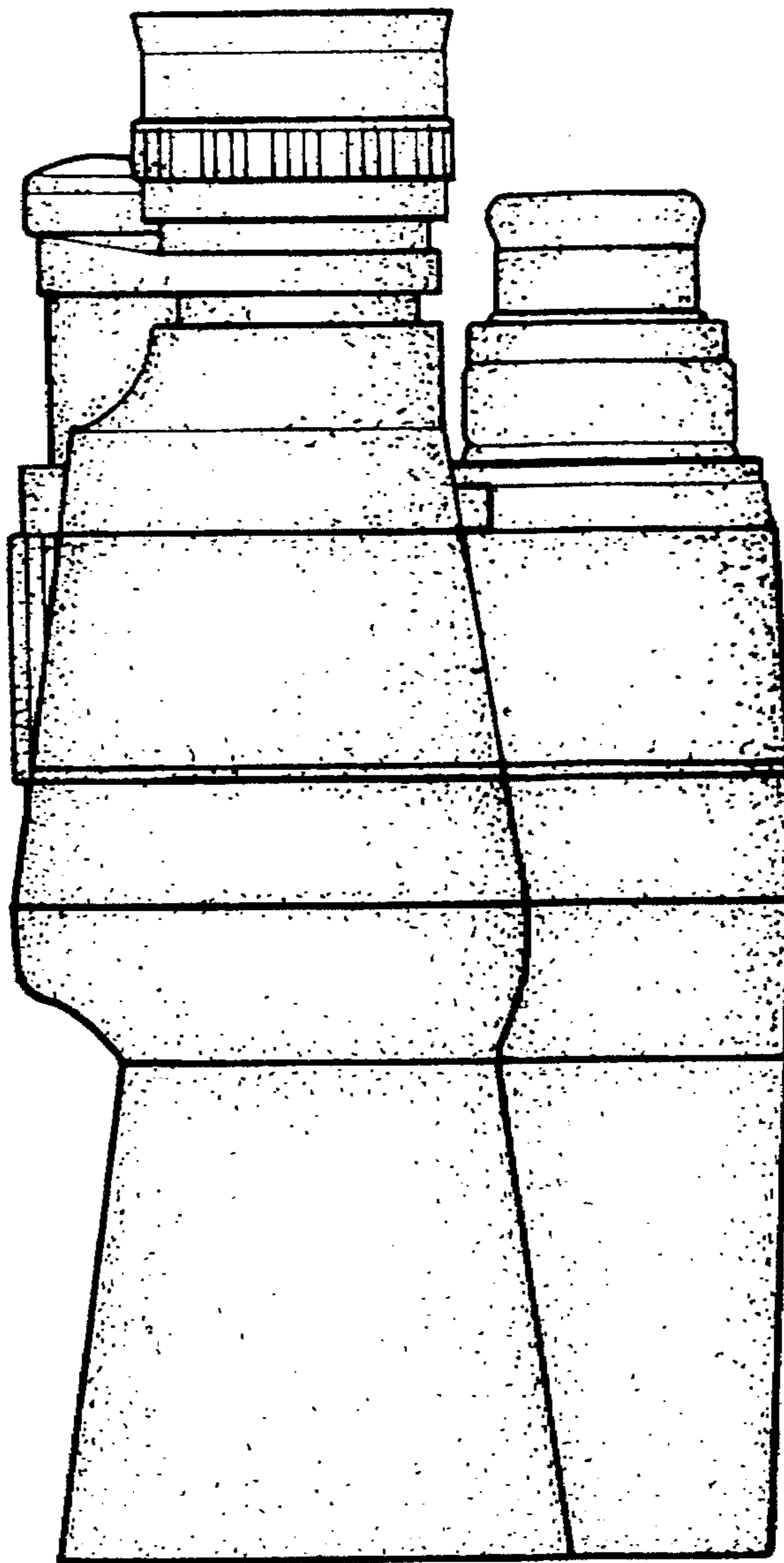


FIG. 4

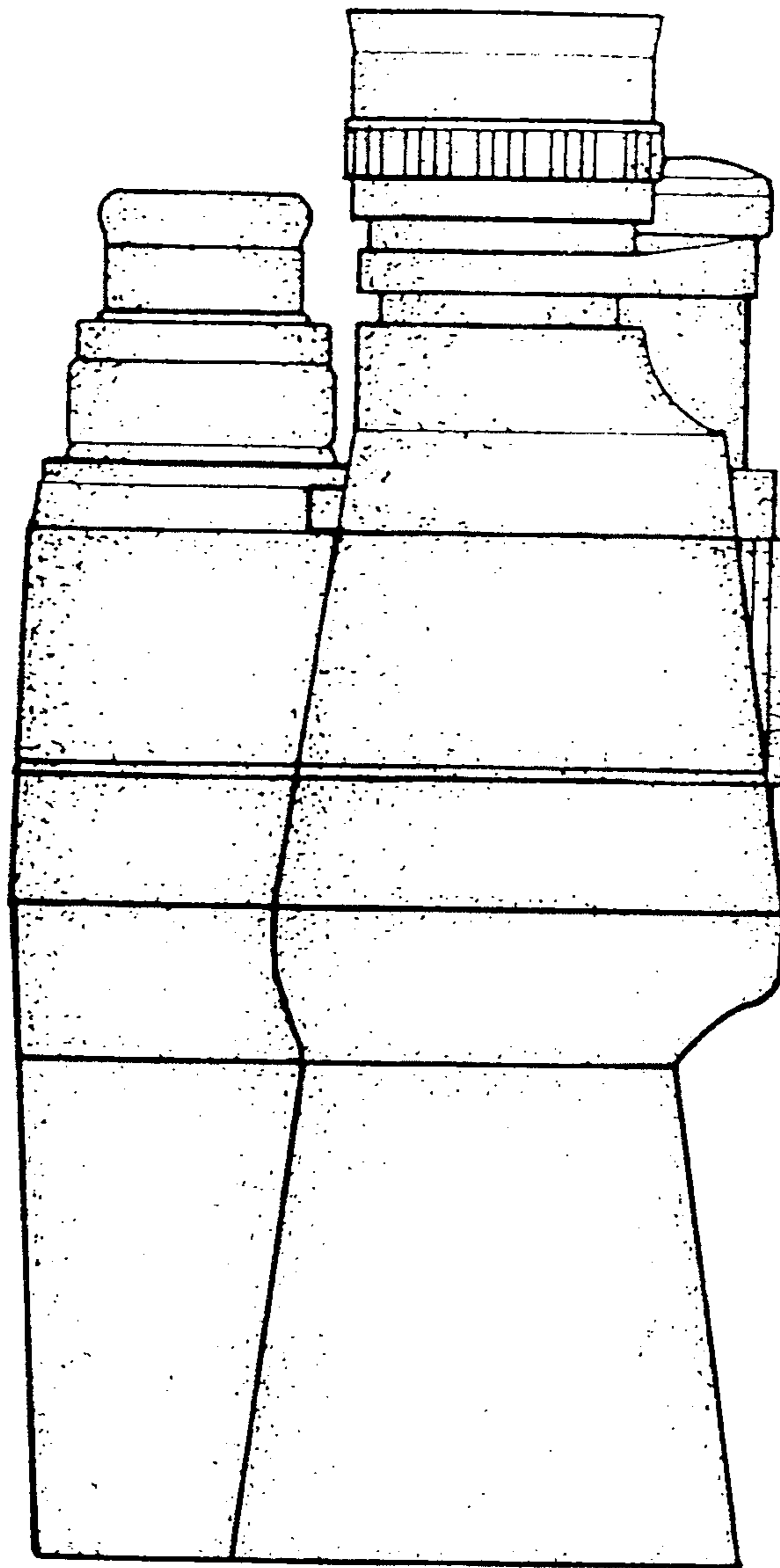


FIG. 5

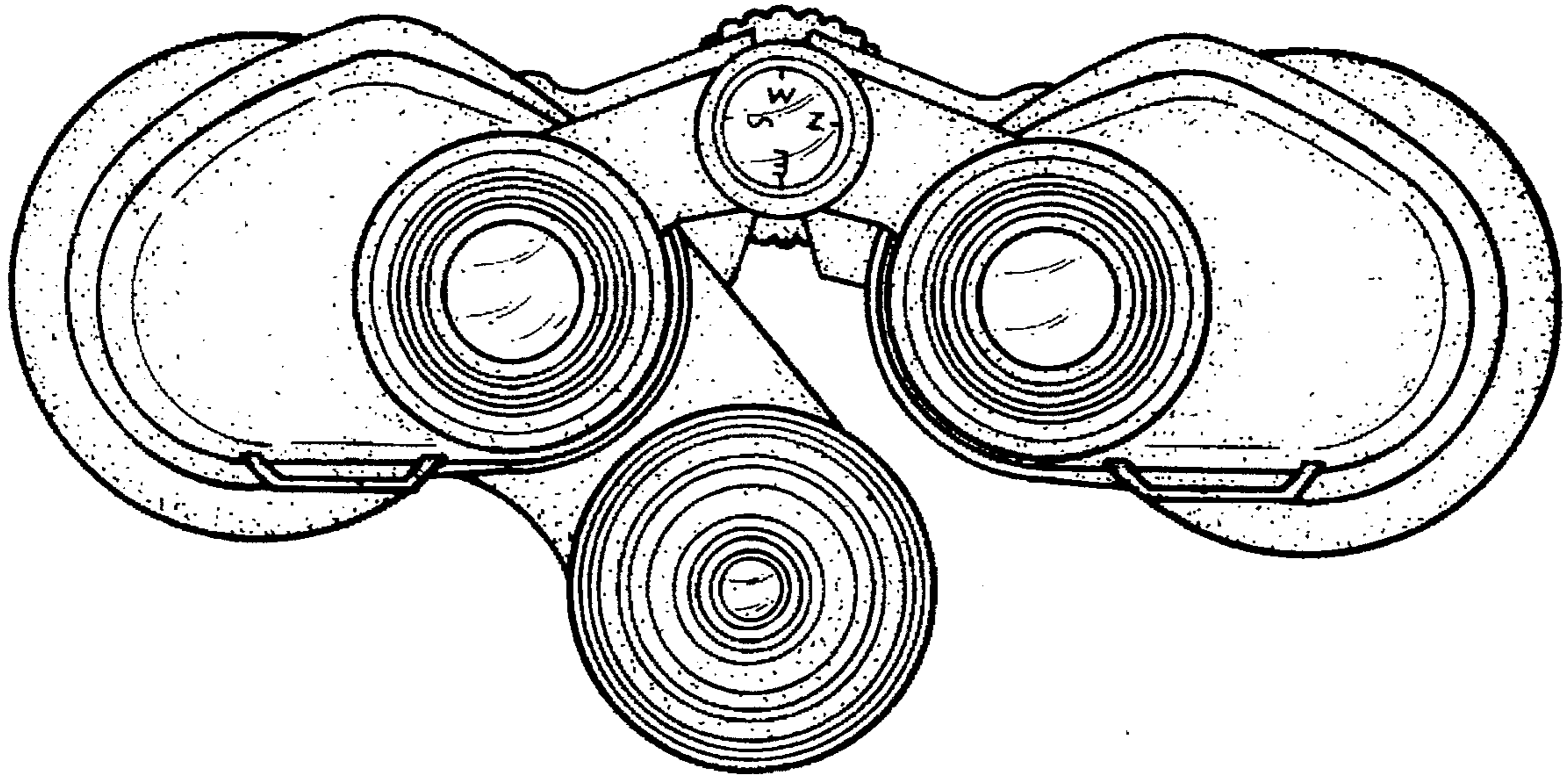


FIG. 6

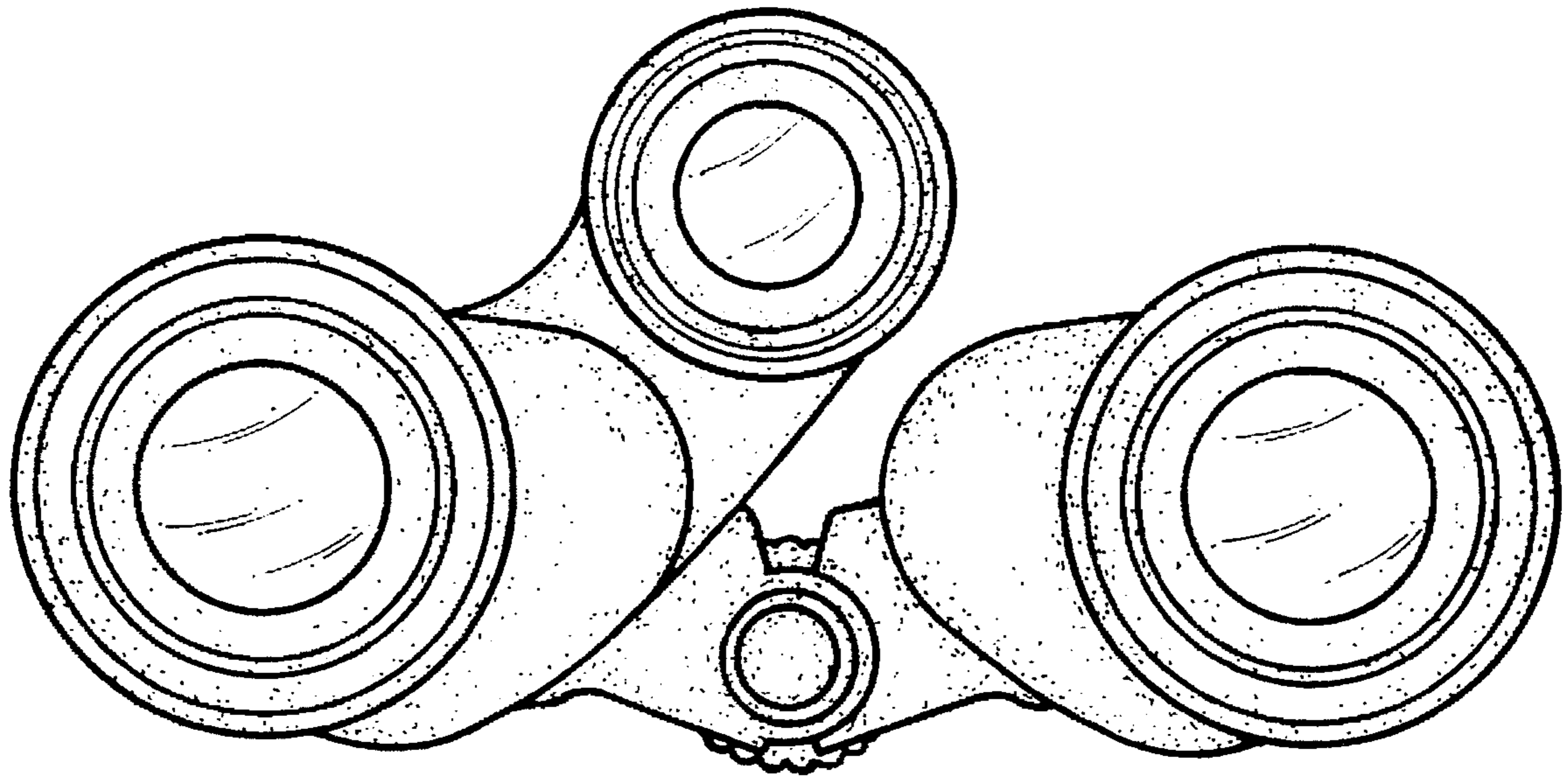


FIG. 7