



US00D380223S

United States Patent [19] Palmer

[11] Patent Number: **Des. 380,223**

[45] Date of Patent: ****Jun. 24, 1997**

[54] **NIGHT VISION BINOCULARS**

[75] Inventor: **Gary L. Palmer, Vinton, Va.**

[73] Assignee: **ITT Defense, Inc., McLean, Va.**

[**] Term: **14 Years**

[21] Appl. No.: **48,516**

[22] Filed: **Jan. 2, 1996**

[51] LOC (6) Cl. **16-06**

[52] U.S. Cl. **D16/133**

[58] Field of Search D16/130-133;
359/480-482, 407-419, 400; 250/214 VT,
330, 493.1

3,454,773	7/1969	Bulthuis et al.	D16/133 X
5,311,356	5/1994	Freilich	359/480
5,444,568	8/1995	Williams, Jr. et al.	359/417
5,455,711	10/1995	Palmer	359/418
5,495,364	2/1996	Palmer	359/412

Primary Examiner—B. J. Bullock
Assistant Examiner—Stacia Sinuik
Attorney, Agent, or Firm—Plevy & Associates; Patrick M. Hogan

[57] CLAIM

The ornamental design for night vision binoculars, as shown and described.

DESCRIPTION

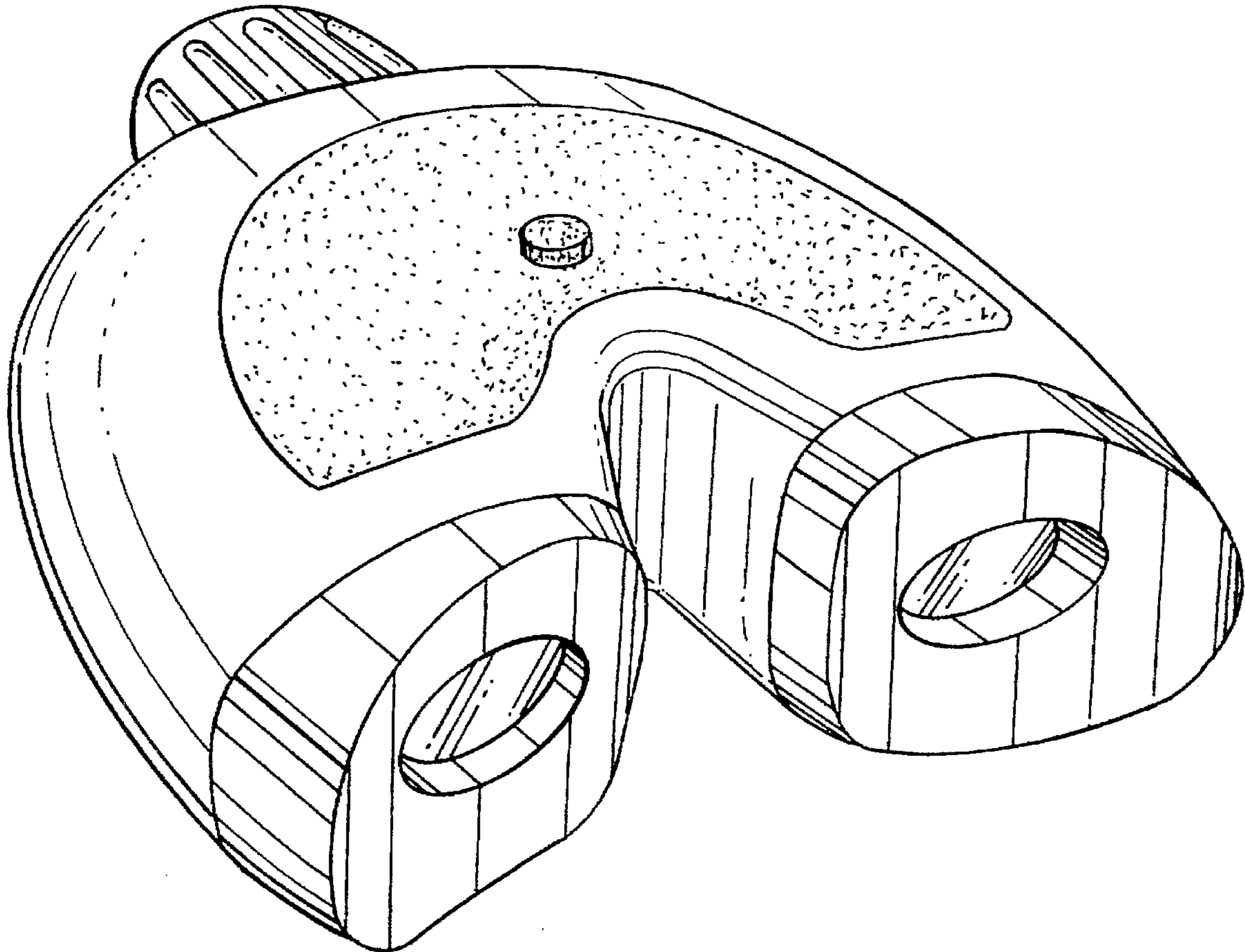
FIG. 1 is a perspective plan view of a housing for night vision binoculars according to the present invention; FIG. 2 is a front elevational view thereof; FIG. 3 is a rear elevational view thereof; FIG. 4 is a side elevational view thereof; FIG. 5 is a top plan view thereof; and, FIG. 6 is a bottom plan view thereof.

1 Claim, 4 Drawing Sheets

[56] References Cited

U.S. PATENT DOCUMENTS

D. 243,761	3/1977	Huckenbeck	D16/133
D. 311,748	10/1990	Kwon	D16/133
D. 349,509	8/1994	Williams, Jr. et al.	D16/130
D. 362,257	9/1995	Palmer	D16/133
3,418,032	12/1968	Kajiro	D16/133 X



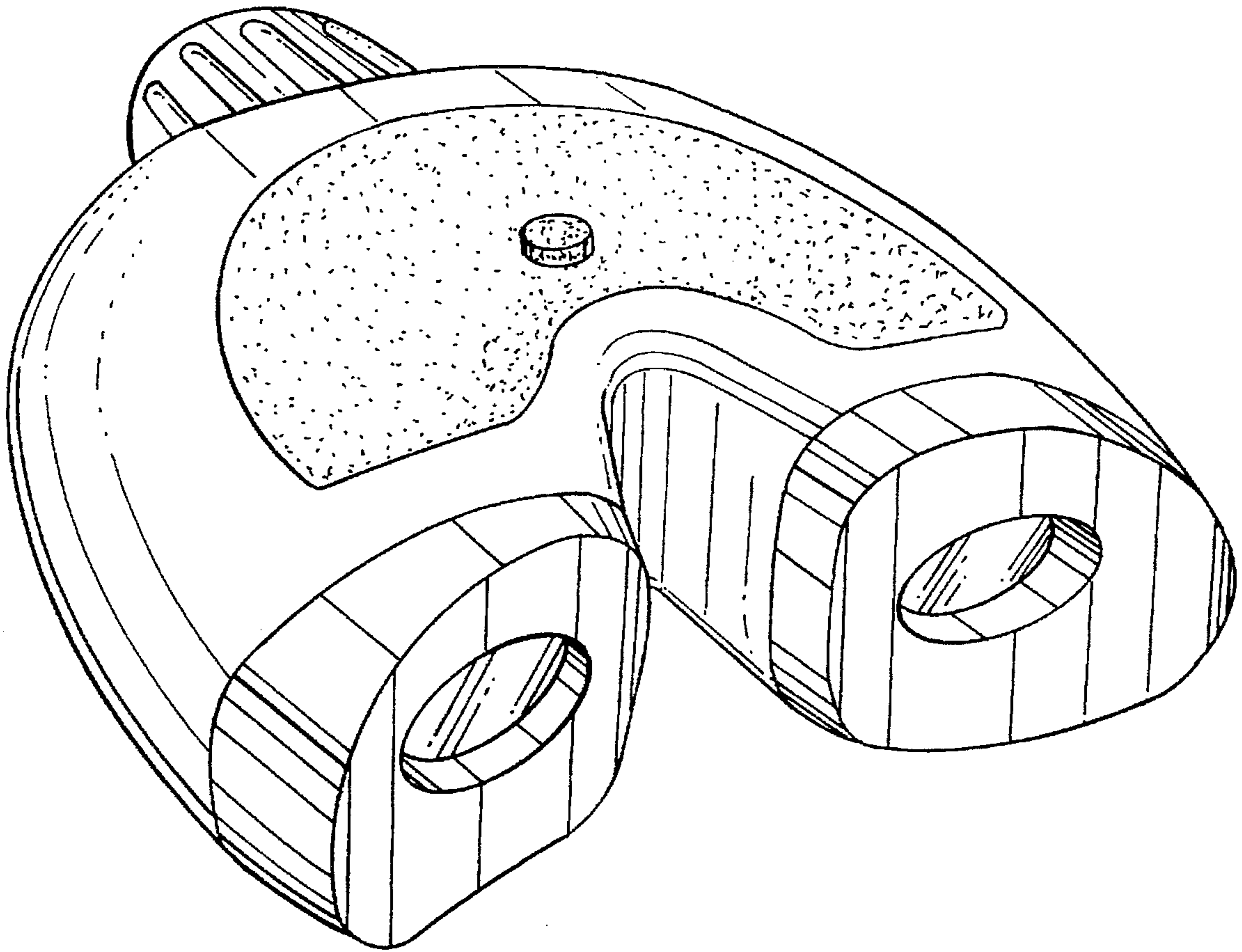


FIG. 1

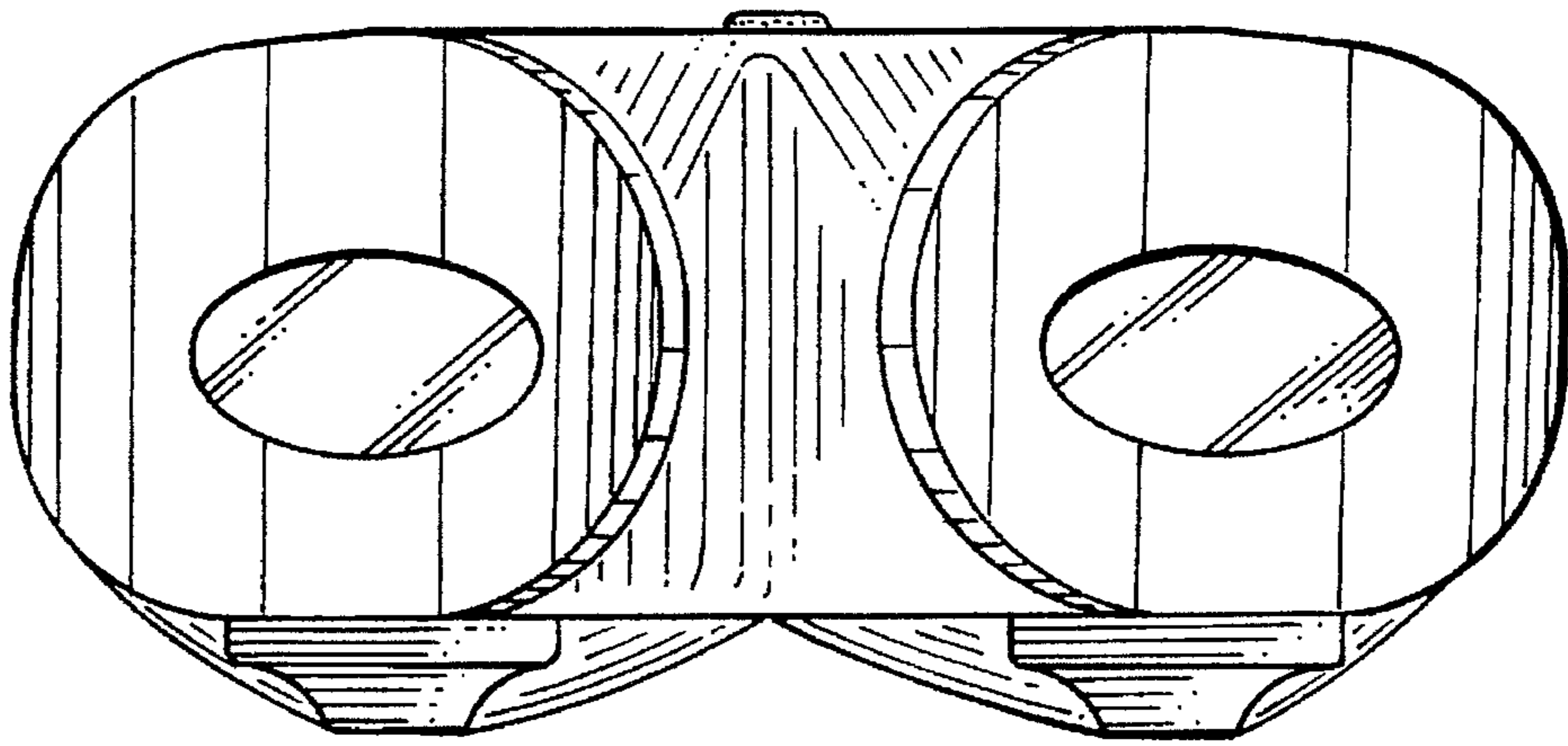


FIG. 2

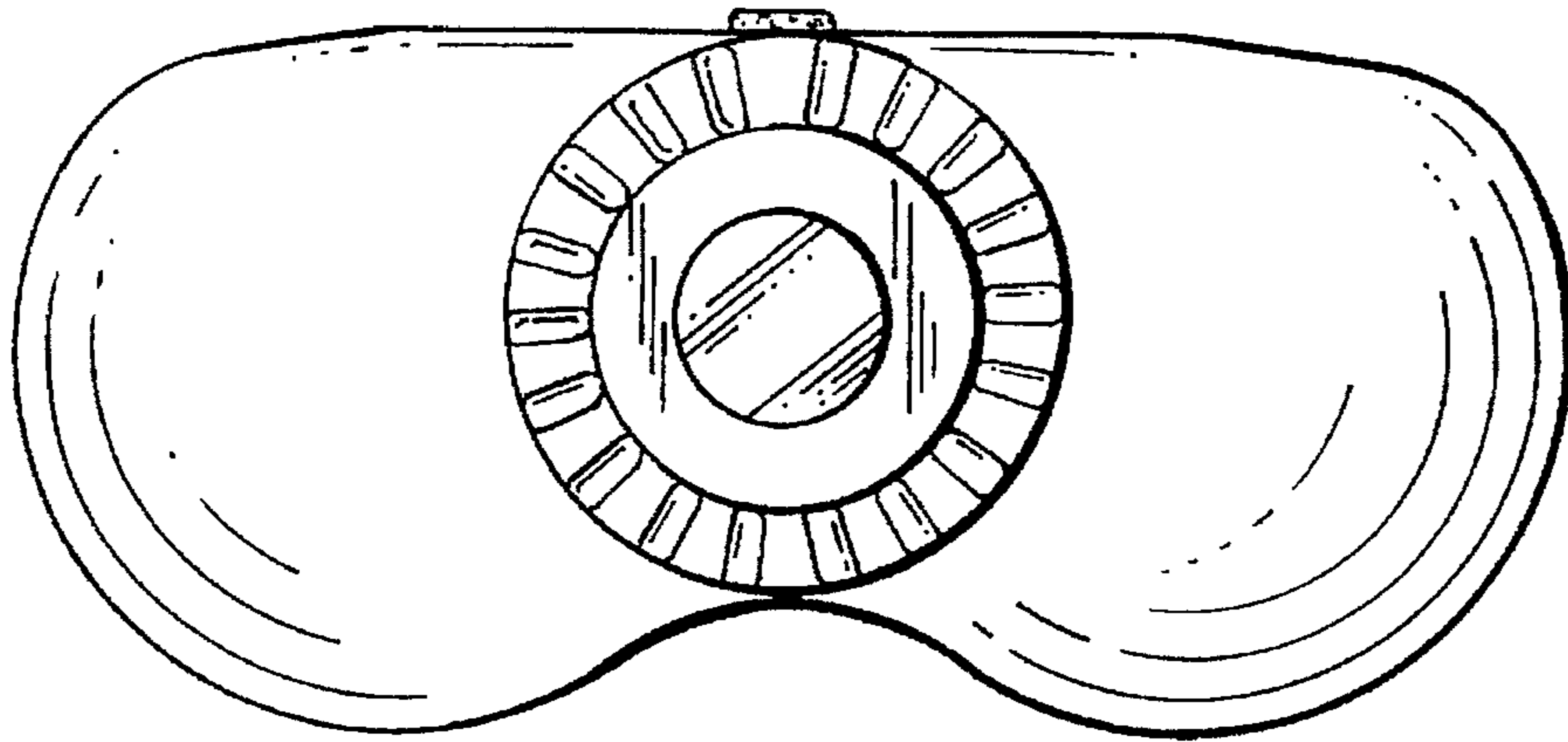


FIG. 3

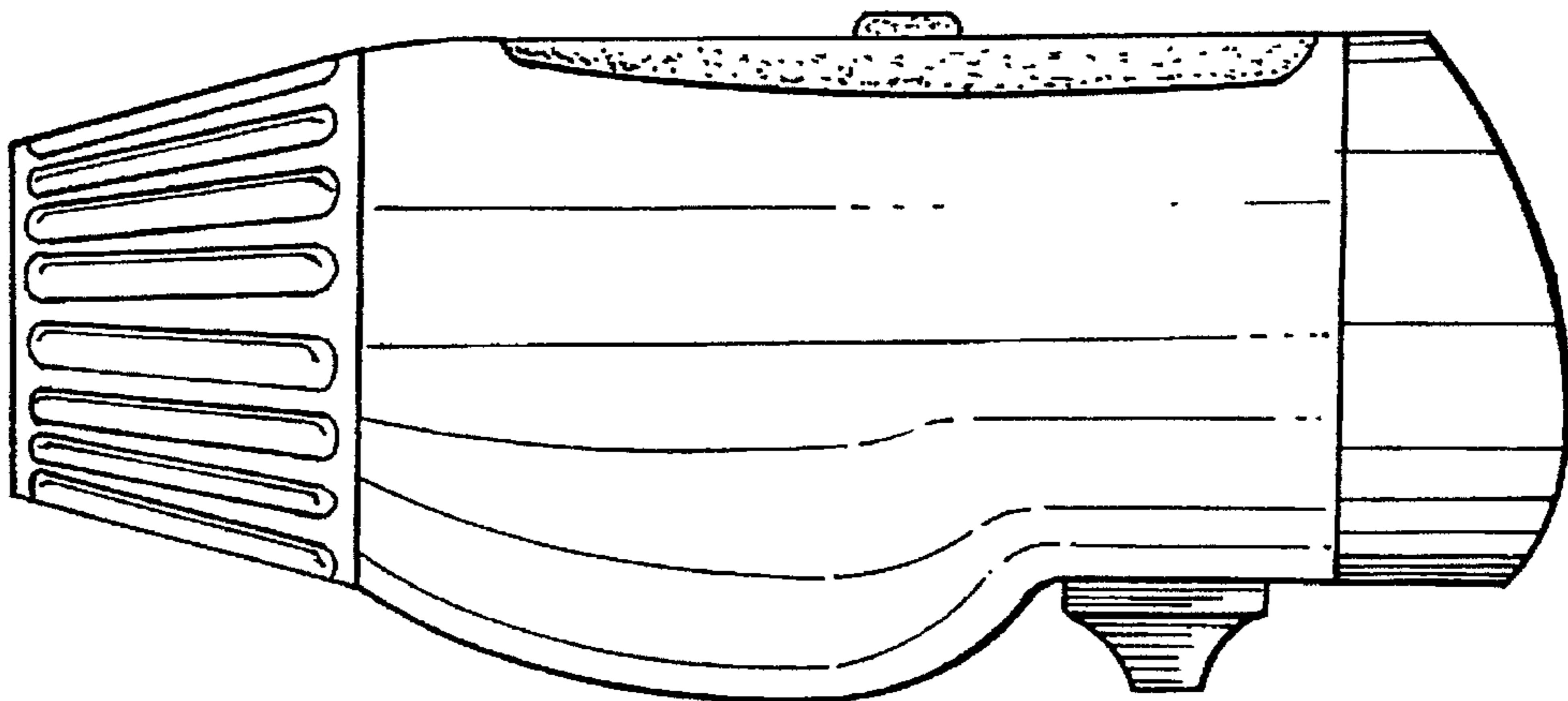


FIG. 4

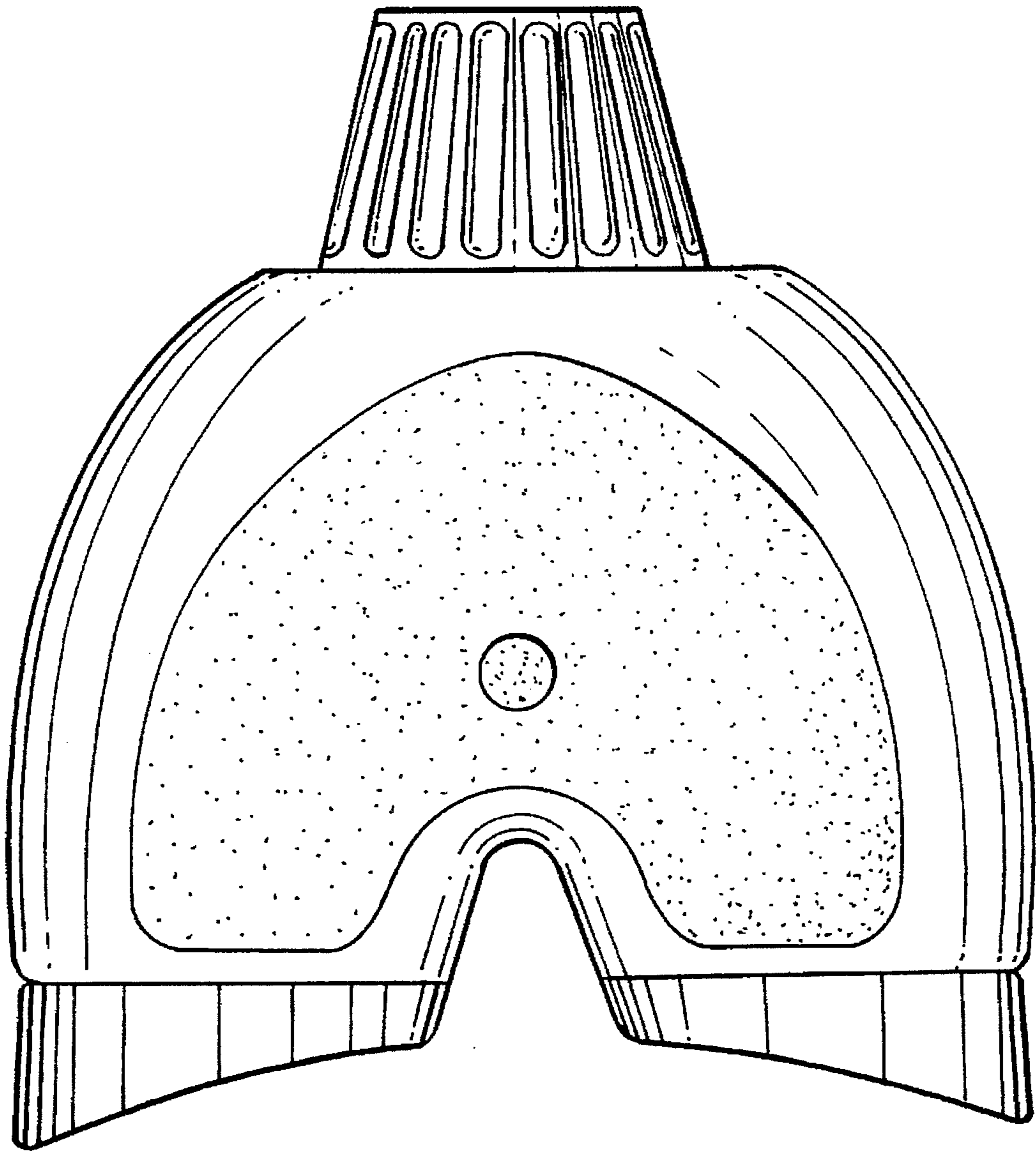


FIG. 5

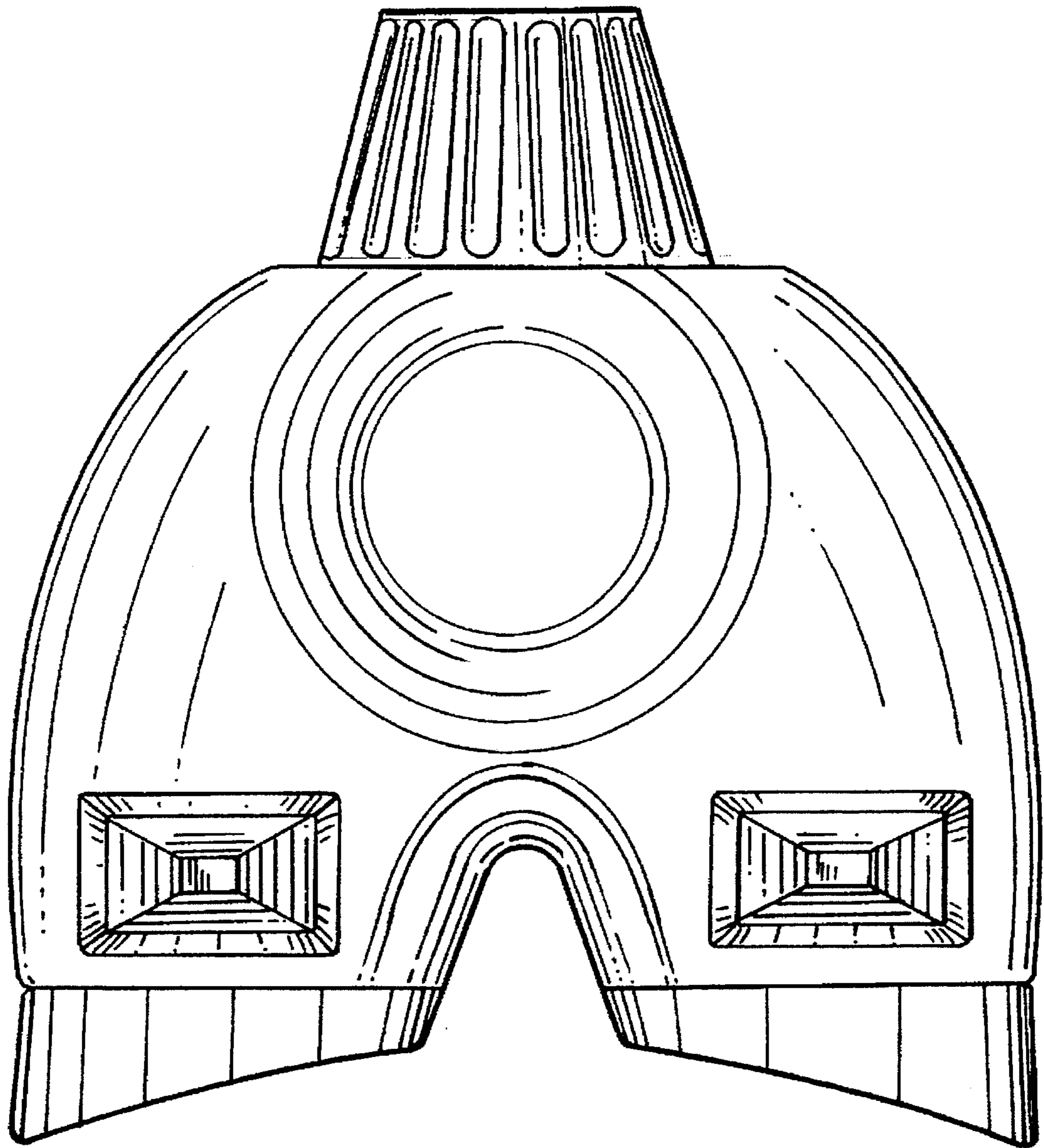


FIG. 6