



US00D380222S

United States Patent [19]
Bryant

[11] **Patent Number: Des. 380,222**
[45] **Date of Patent: **Jun. 24, 1997**

[54] **NIGHT VISION MONOCULAR**

[75] **Inventor: Mark A. Bryant, Roanoke, Va.**
[73] **Assignee: ITT Corporation, New York, N.Y.**
[**] **Term: 14 Years**

[21] **Appl. No.: 41,612**
[22] **Filed: Jul. 19, 1995**

[51] **LOC (6) Cl. 16-06**
[52] **U.S. Cl. D16/132**
[58] **Field of Search D16/130-132;**
D22/109; 359/815-818; 250/330

[56] **References Cited**

U.S. PATENT DOCUMENTS

D. 351,397 10/1994 Dor D16/130
4,670,912 6/1987 Hart 359/815 X
5,179,735 1/1993 Thomanek 359/815 X

OTHER PUBLICATIONS

U.S. Cavalry, 1995 Spring Catalog, p. 33, see item #B9156 Night Vision Pocket Scope.

Primary Examiner—B. J. Bullock
Assistant Examiner—Stacia Sinuik
Attorney, Agent, or Firm—Plevy & Associates; Patrick M. Hogan

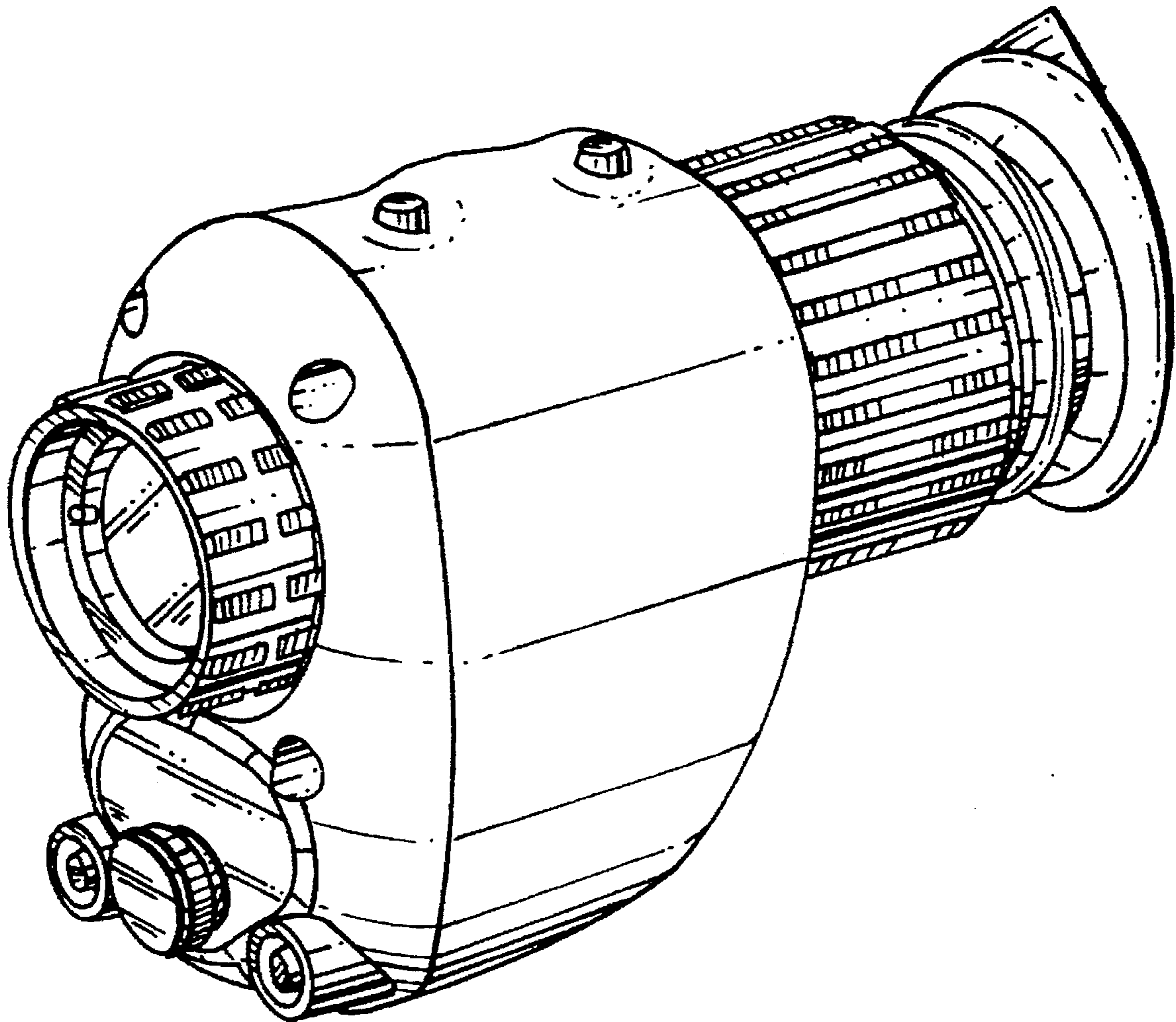
[57] **CLAIM**

The ornamental design for a night vision monocular as shown.

DESCRIPTION

FIG. 1 is a perspective view thereof;
FIG. 2 is a rear view thereof;
FIG. 3 is a left side view thereof;
FIG. 4 is a right side view thereof;
FIG. 5 is a front view thereof;
FIG. 6 is a top view thereof; and,
FIG. 7 is a bottom view thereof.

1 Claim, 5 Drawing Sheets



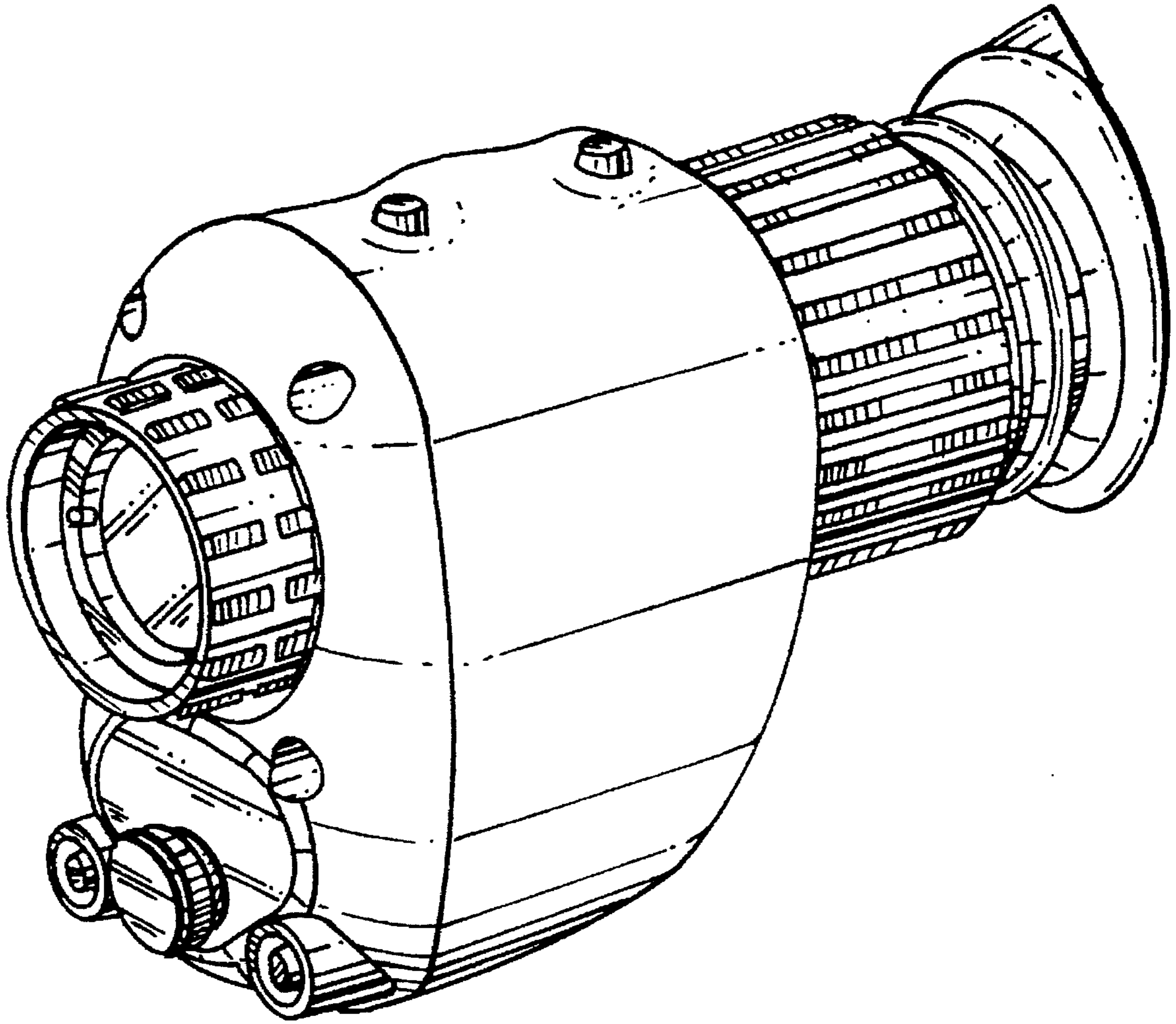


FIG. 1

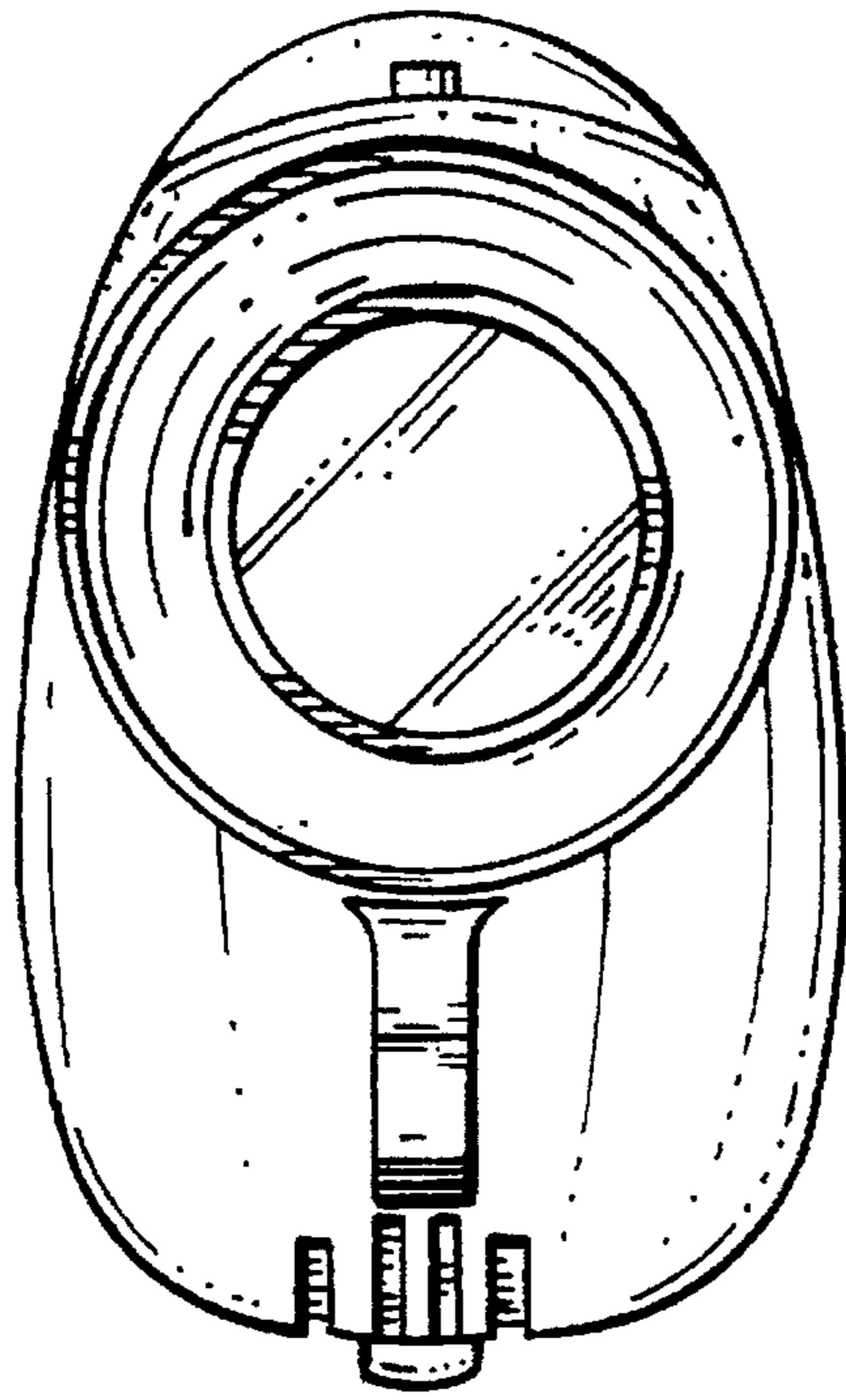


FIG. 2

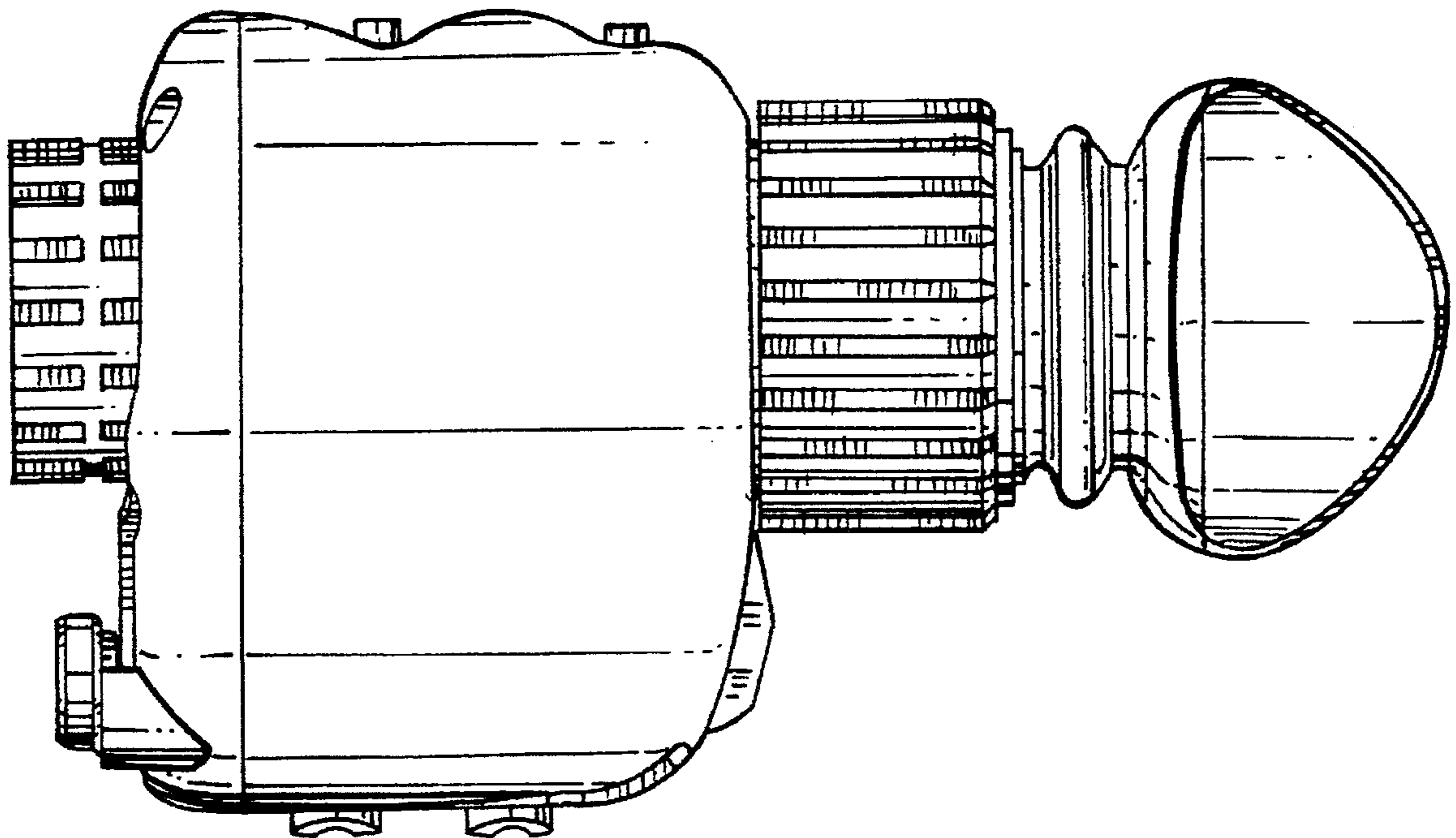


FIG. 3

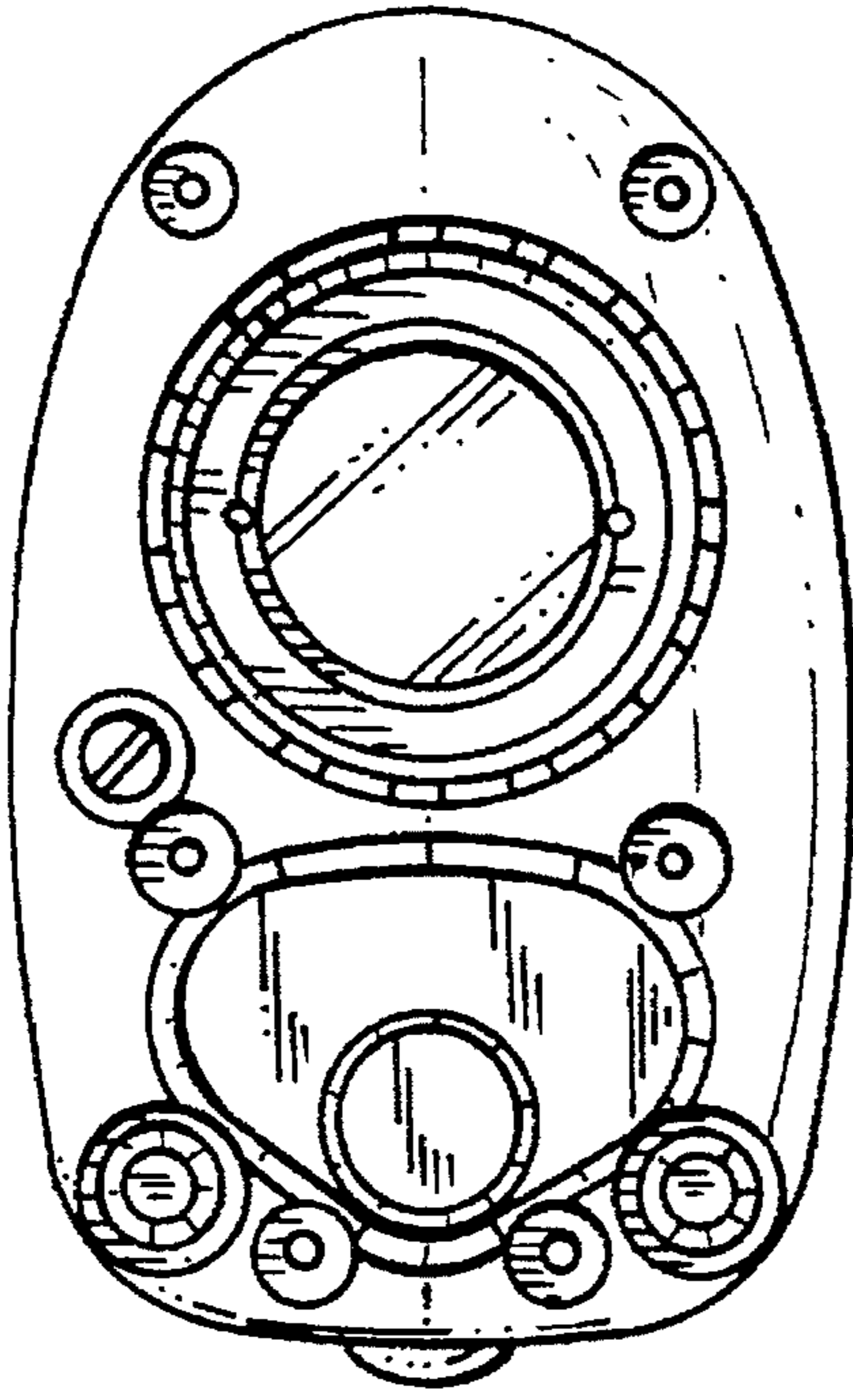


FIG. 5

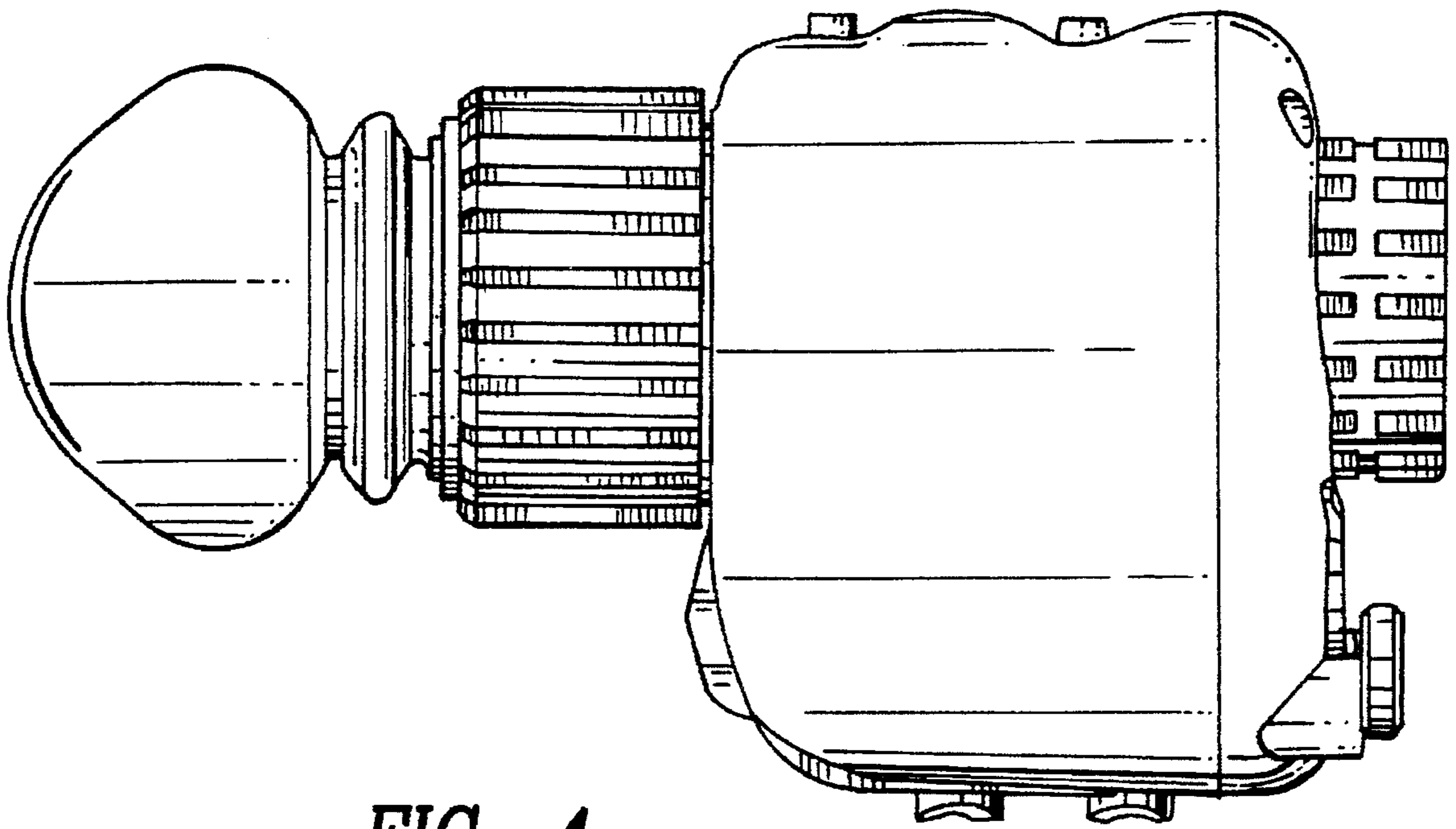


FIG. 4

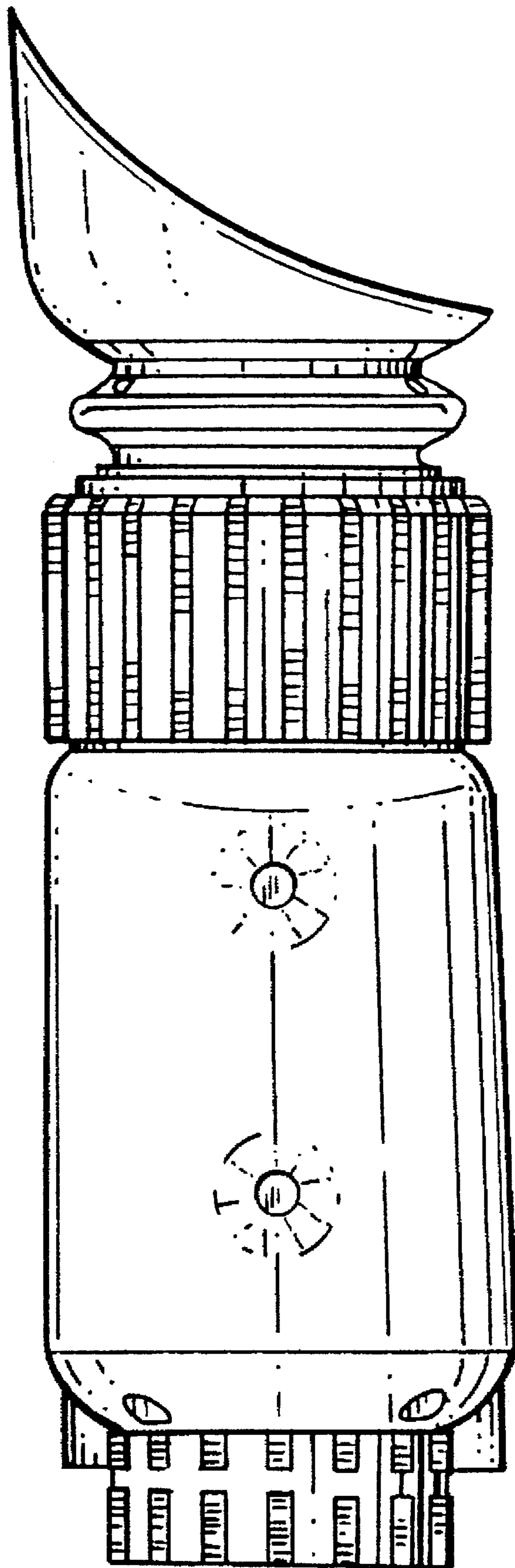


FIG. 6

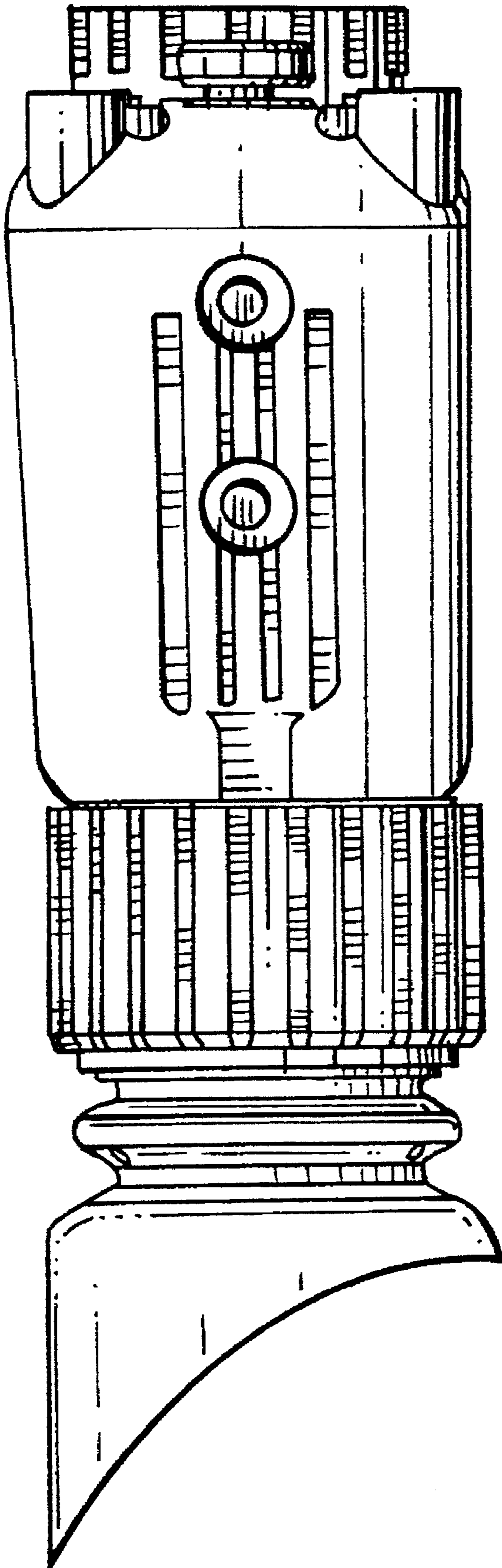


FIG. 7