



US00D380219S

# United States Patent [19] Kinnard

[11] Patent Number: **Des. 380,219**

[45] Date of Patent: **\*\*Jun. 24, 1997**

[54] **CLAMP MOUNTING BLOCK**

[76] Inventor: **Steve Kinnard**, 4666 S. 47th St.,  
Greenfield, Wis. 53220

[\*\*] Term: **14 Years**

[21] Appl. No.: **35,587**

[22] Filed: **Mar. 2, 1995**

[51] LOC (6) CL. .... **15-09**

[52] U.S. Cl. .... **D15/140; D8/71**

[58] Field of Search ..... D8/71, 373; D15/140;  
211/46; 248/205.1, 346.1, 678, 680, 913;  
269/16, 37, 41, 287, 909

[56] **References Cited**

**U.S. PATENT DOCUMENTS**

D. 31,930	12/1899	Lane	.....	D8/373
D. 179,453	12/1956	Kemper	.....	D15/140
D. 217,514	5/1970	Shores	.....	D8/71
D. 225,716	1/1973	Mason	.....	D8/71
D. 273,459	4/1984	Akabane	.....	D8/373
D. 296,520	7/1988	Spinetta	.....	D8/373
D. 297,111	8/1988	Thompson et al.	.....	D8/373
D. 311,672	10/1990	Thompson	.....	D8/71
D. 321,466	11/1991	Hotchkiss	.....	D8/71
D. 329,192	9/1992	Susac	.....	D8/354
D. 341,538	11/1993	Paul	.....	D8/373

D. 357,926	5/1995	Ivansons et al.	.....	D15/139
D. 363,296	10/1995	Madill	.....	D15/140
2,630,850	3/1953	Elsaesser	.....	269/16
3,350,830	11/1967	Smith, Jr. et al.	.....	D8/373
5,199,809	4/1993	Semerjian	.....	211/46
5,375,749	12/1994	Oliva	.....	224/904

**OTHER PUBLICATIONS**

"Jorgensen" Pony bar clamp pad #7456, unnumbered page from Jorgensen Pony Condensed Catalog No. L-20, Adjustable Clamp Company.

*Primary Examiner*—James M. Gandy

*Assistant Examiner*—Robert M. Spear

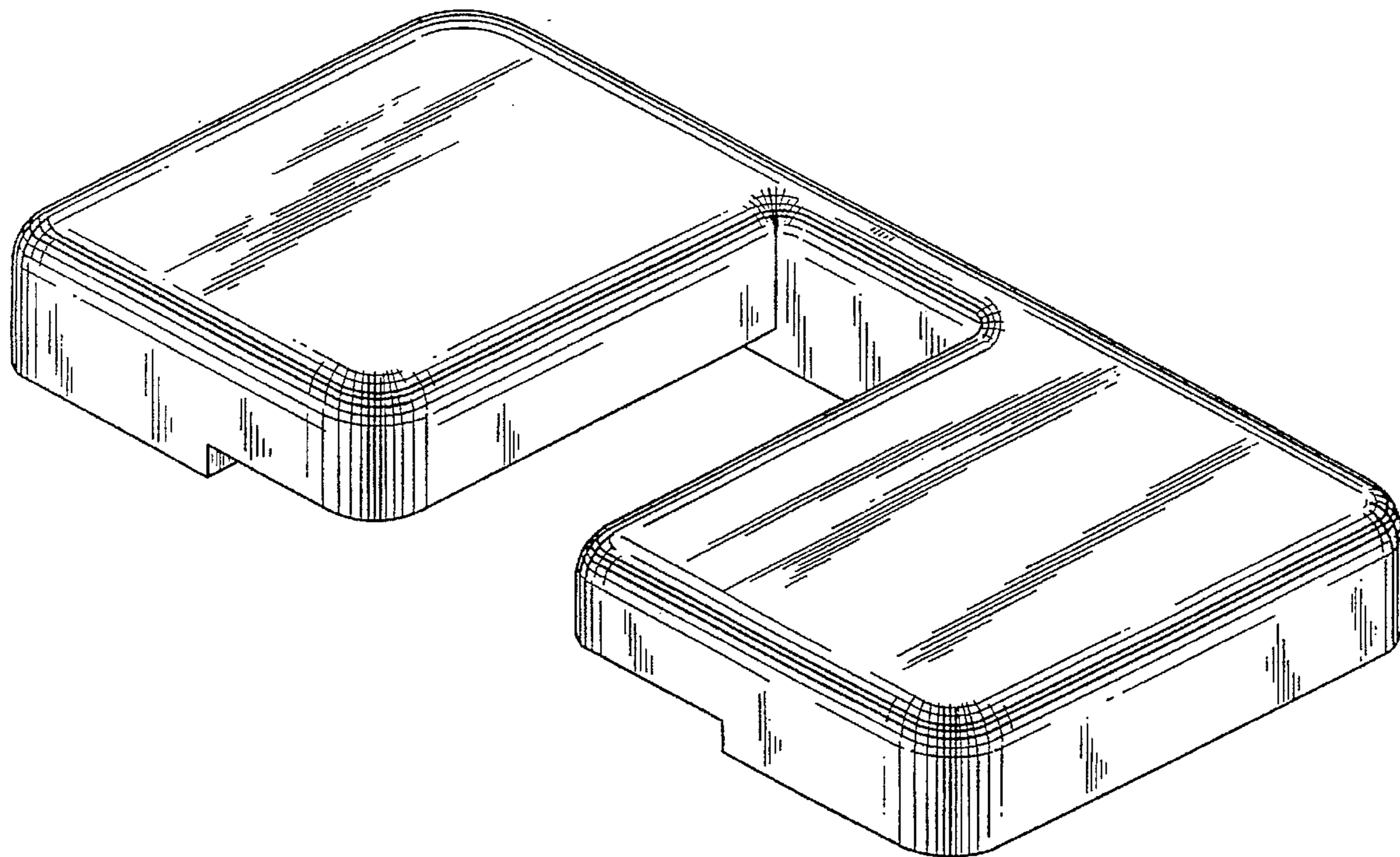
[57] **CLAIM**

The ornamental design for a clamp mounting block, as shown and described.

**DESCRIPTION**

FIG. 1 is a perspective view of the clamp mounting block showing my new design;  
FIG. 2 is a front elevational view thereof;  
FIG. 3 is a top plan view thereof;  
FIG. 4 is a rear elevational view thereof;  
FIG. 5 is a left side elevational view thereof, the right side elevational view being a mirror image thereof; and,  
FIG. 6 is a bottom plan view thereof.

**1 Claim, 3 Drawing Sheets**



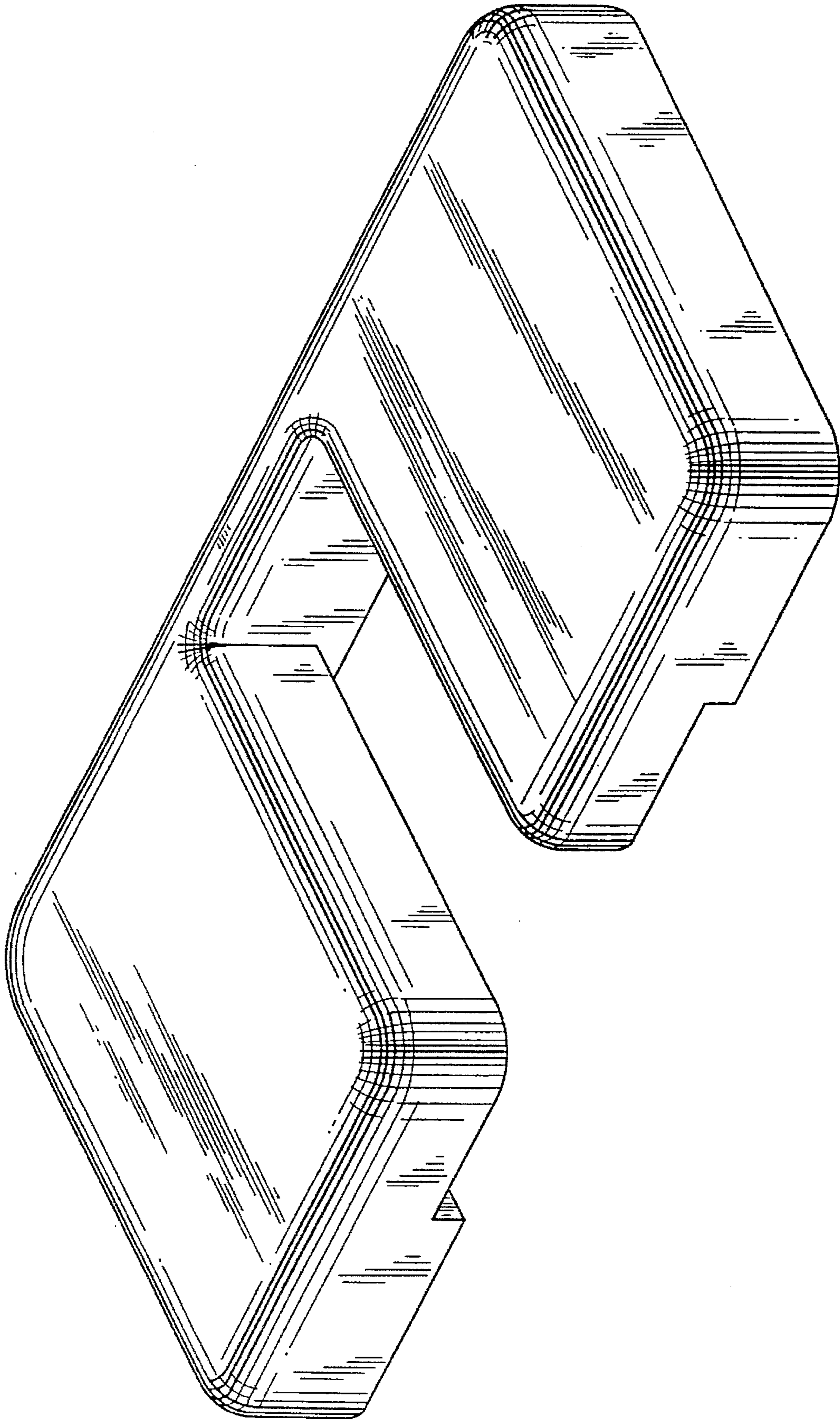


FIG. 1



FIG. 2

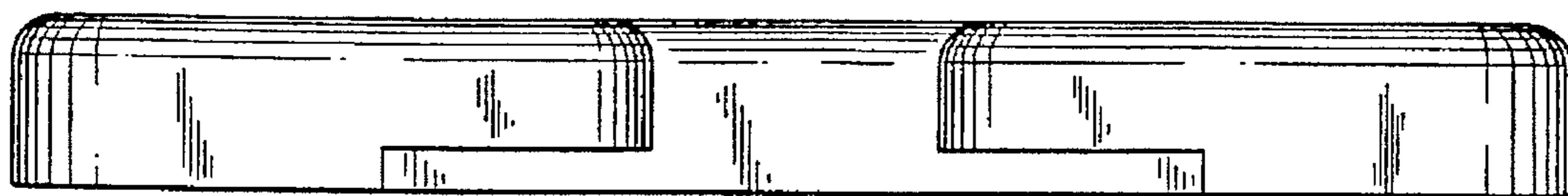


FIG. 3

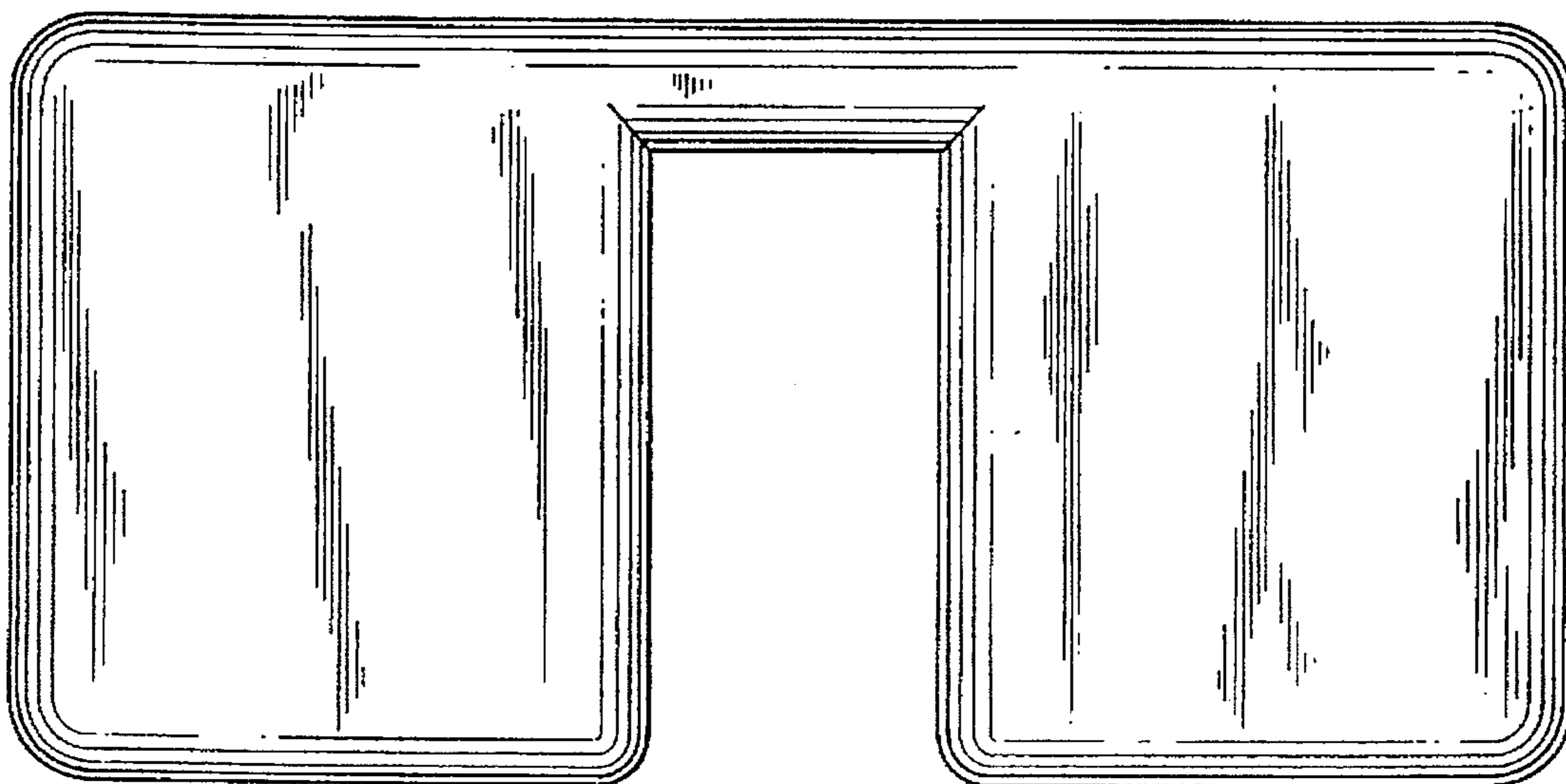


FIG. 4

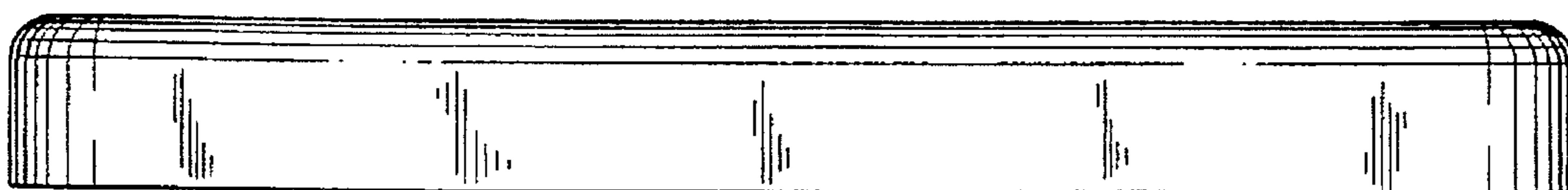


FIG. 5

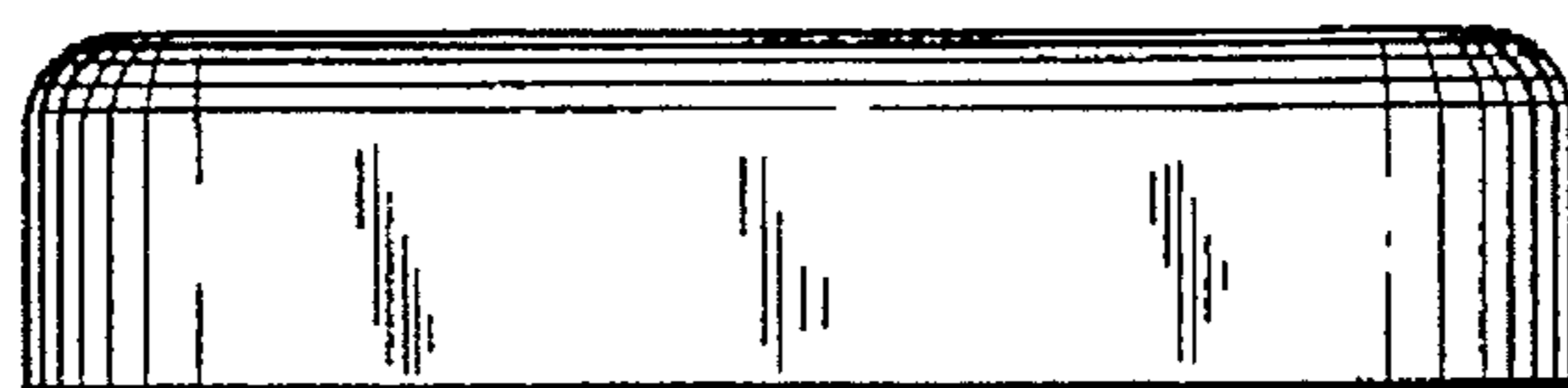


FIG. 6

