



US00D380218S

United States Patent [19]

[11] Patent Number: **Des. 380,218**

McKee et al.

[45] Date of Patent: ****Jun. 24, 1997**

[54] DOUBLE DIAPHRAGM PUMP

D. 291,319 8/1987 Hicks D15/7
D. 294,946 3/1988 Wilden D15/7

[75] Inventors: **Sheila S. McKee**, St. Paul; **Kathleen M. Barnes**, Champlin; **Ronald M. Markusson**, North Branch, all of Minn.

Primary Examiner—Ralf Seifert
Attorney, Agent, or Firm—Douglas B. Farrow

[73] Assignee: **Graco Inc.**, Minneapolis, Minn.

[57] CLAIM

[**] Term: **14 Years**

The ornamental design for the double diaphragm pump, as shown and described.

[21] Appl. No.: **47,393**

DESCRIPTION

[22] Filed: **Dec. 1, 1995**

FIG. 1 is a front elevation view of the double diaphragm pump;

[51] LOC (6) Cl. **15-02**

FIG. 2 is a rear elevation view thereof;

[52] U.S. Cl. **D15/7**

FIG. 3 is a left side elevation view thereof and is a mirror image of the right side;

[58] Field of Search D15/7-9.2; 417/393, 417/394; D3/1-3; 92/128, 98 R; 418/70

FIG. 4 is a top plan view thereof;

FIG. 5 is a bottom plan view thereof; and,

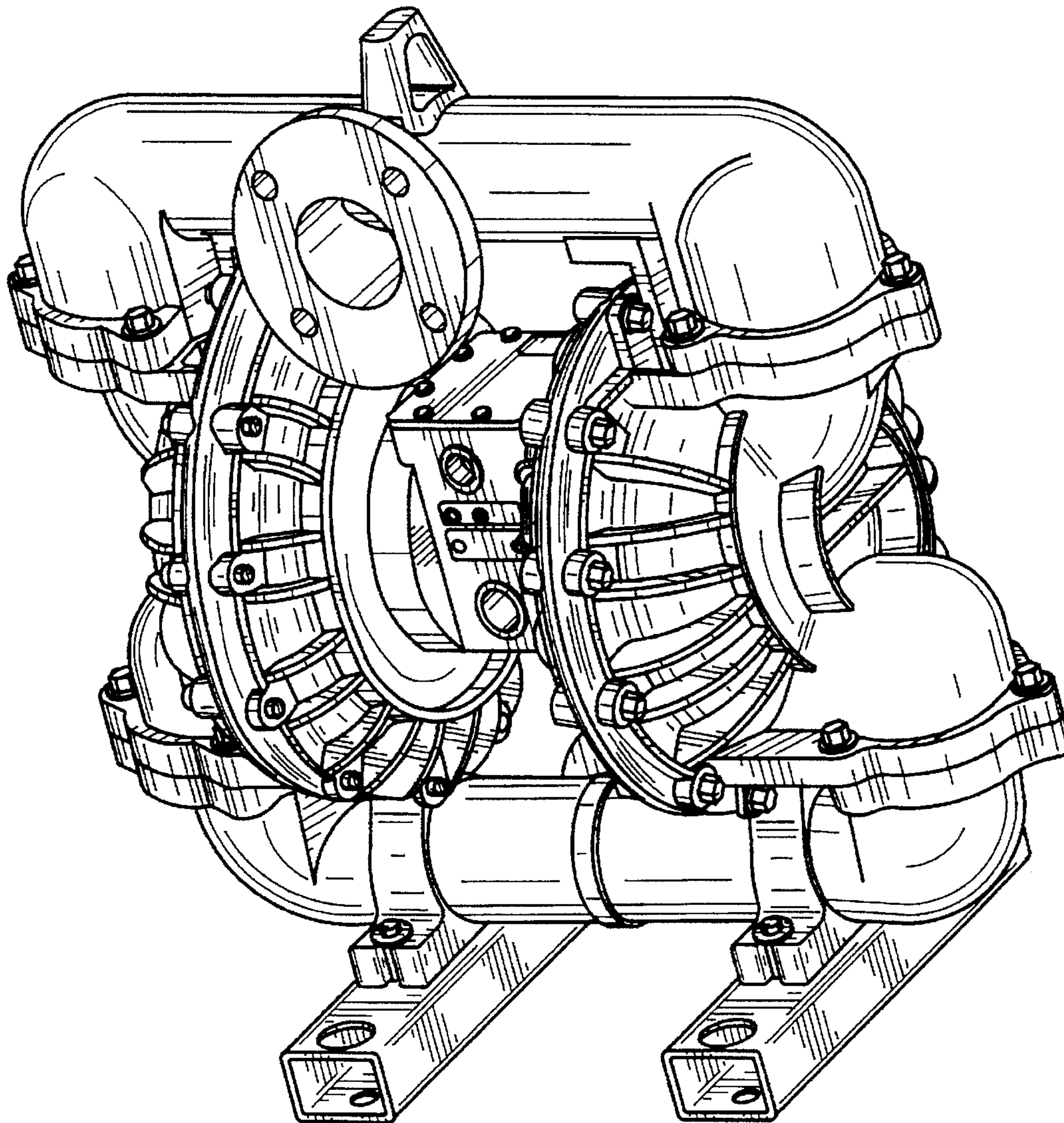
FIG. 6 is a back perspective view thereof.

[56] References Cited

U.S. PATENT DOCUMENTS

D. 268,413 3/1983 Wilden D15/7

1 Claim, 6 Drawing Sheets



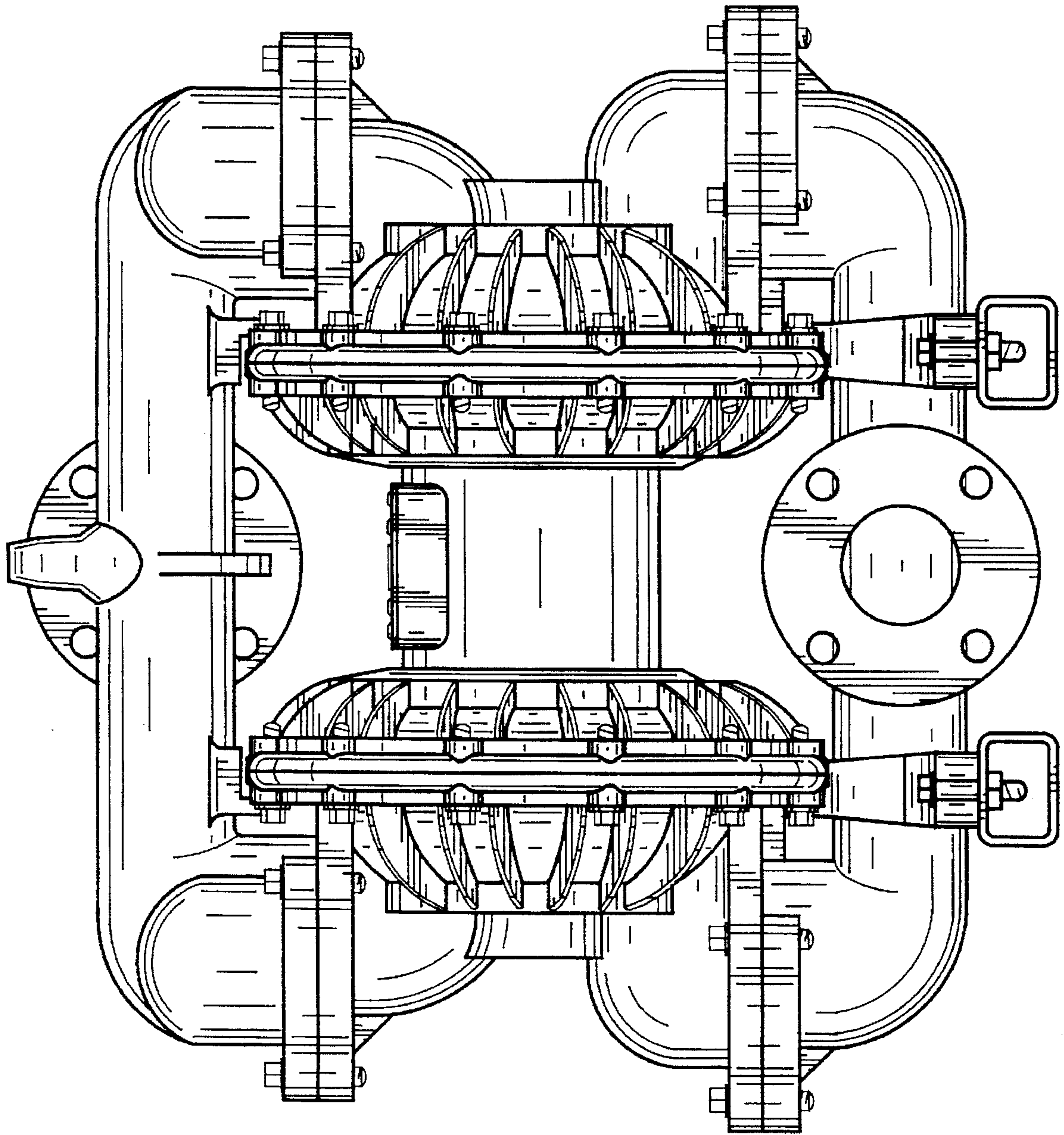


FIG. 1

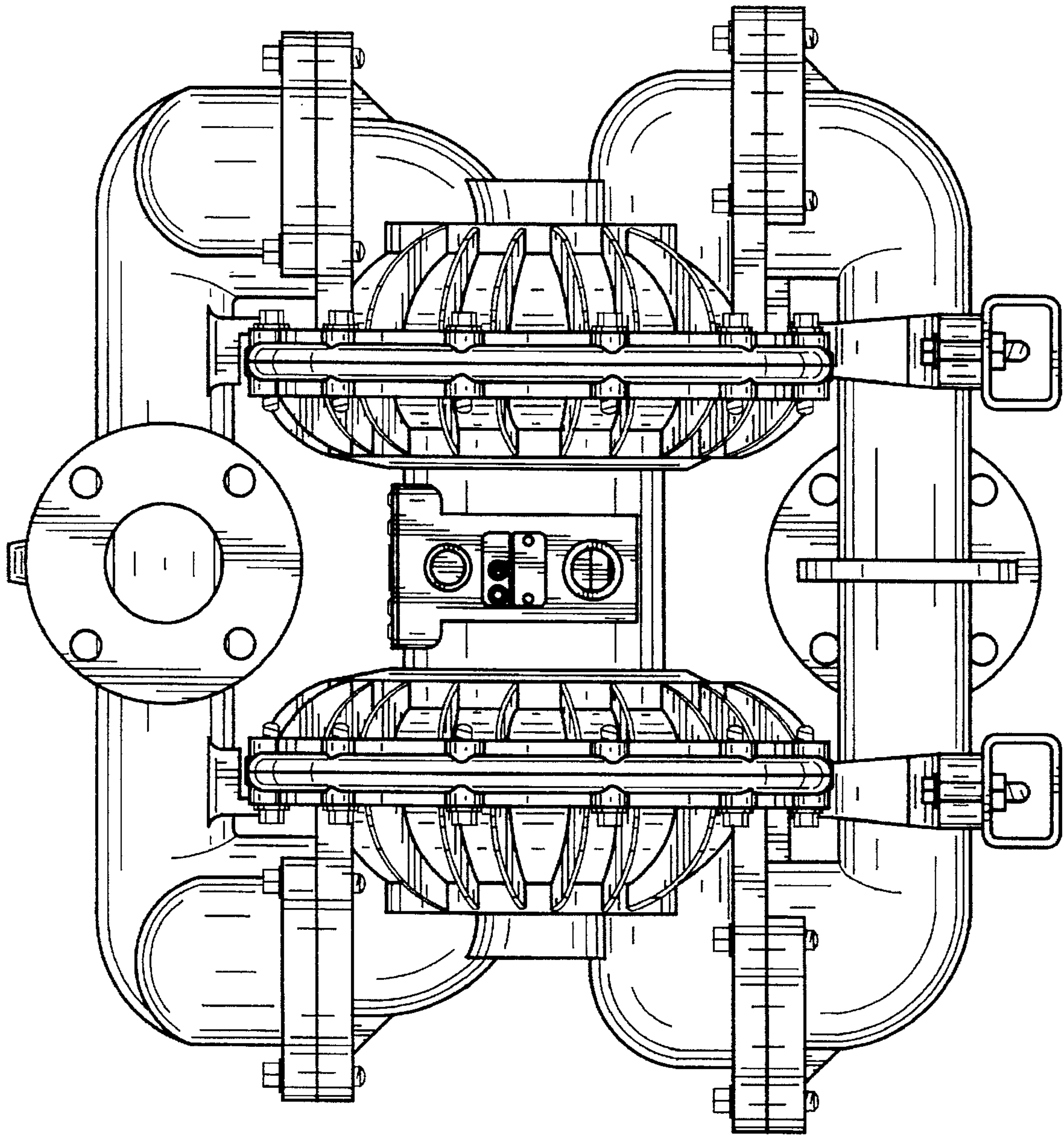


FIG. 2

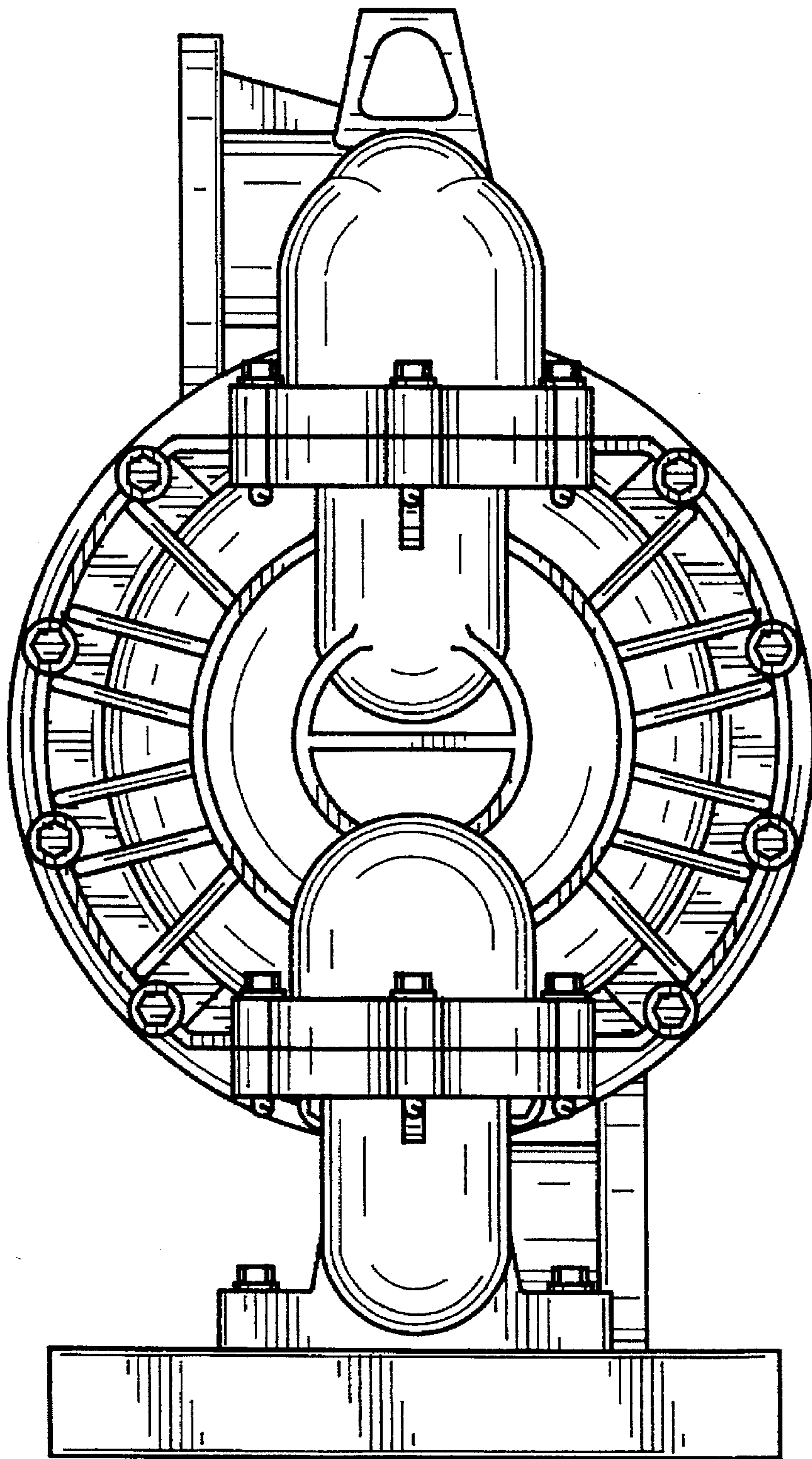


FIG. 3

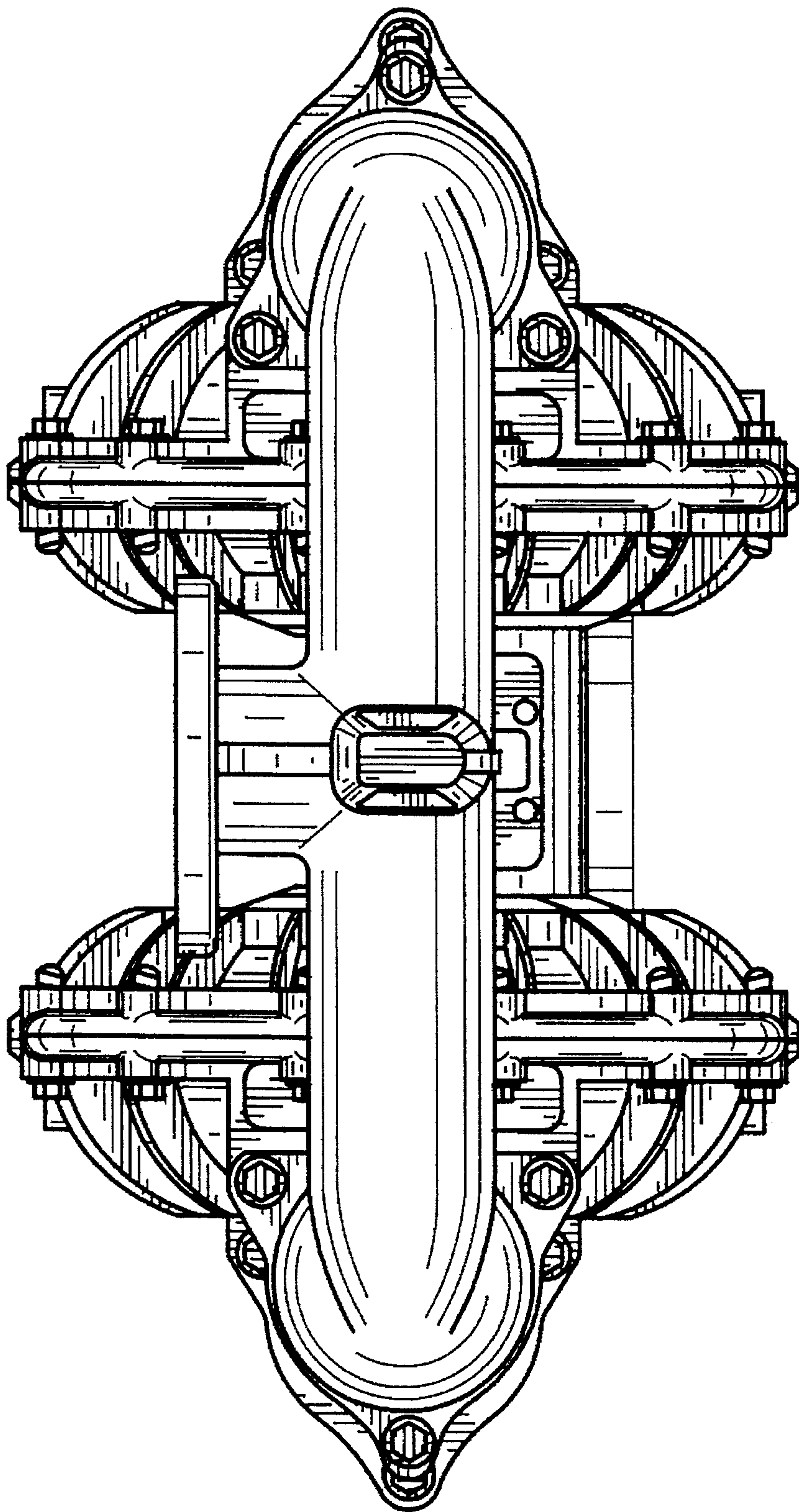


FIG. 4

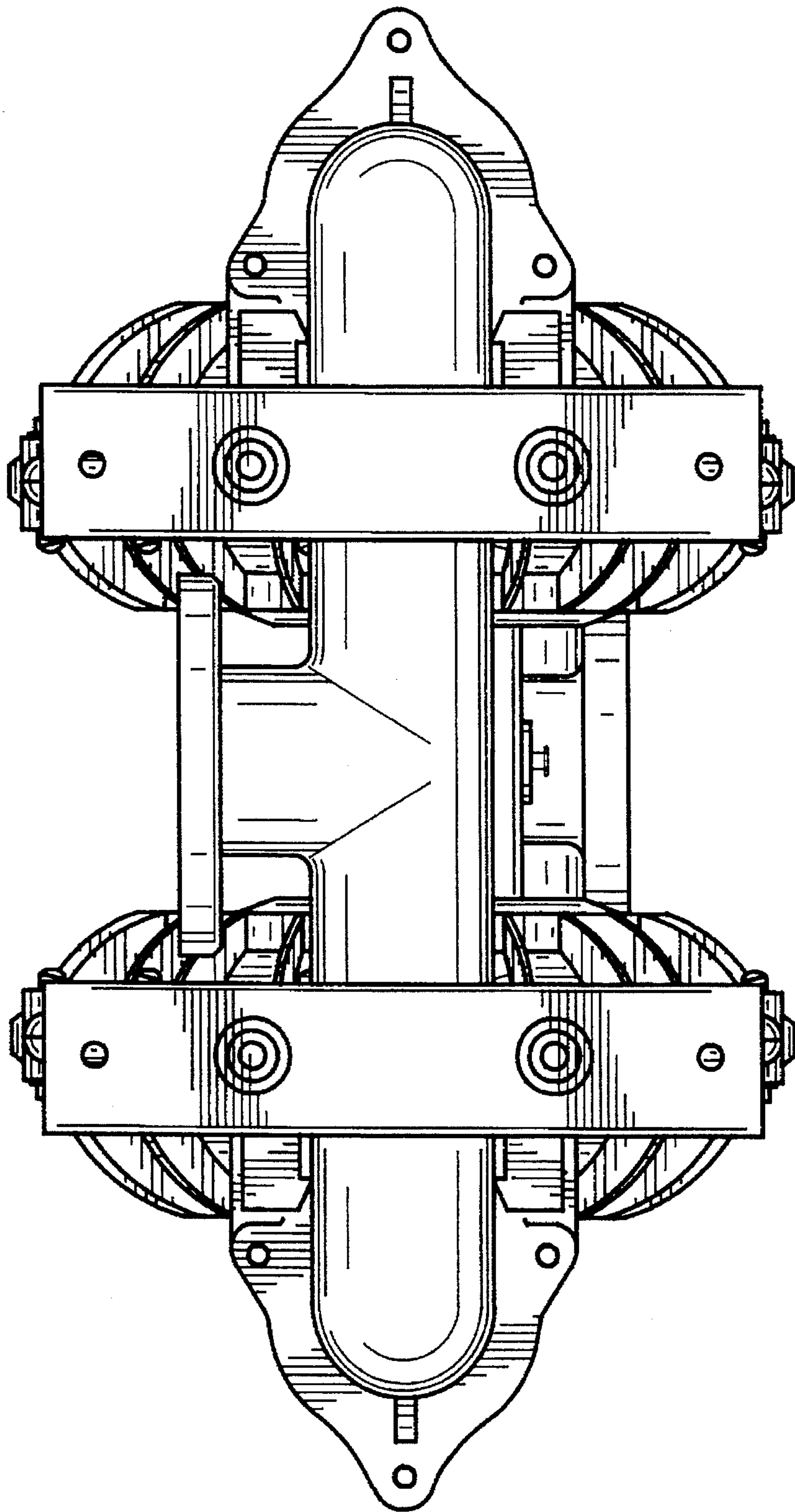


FIG. 5

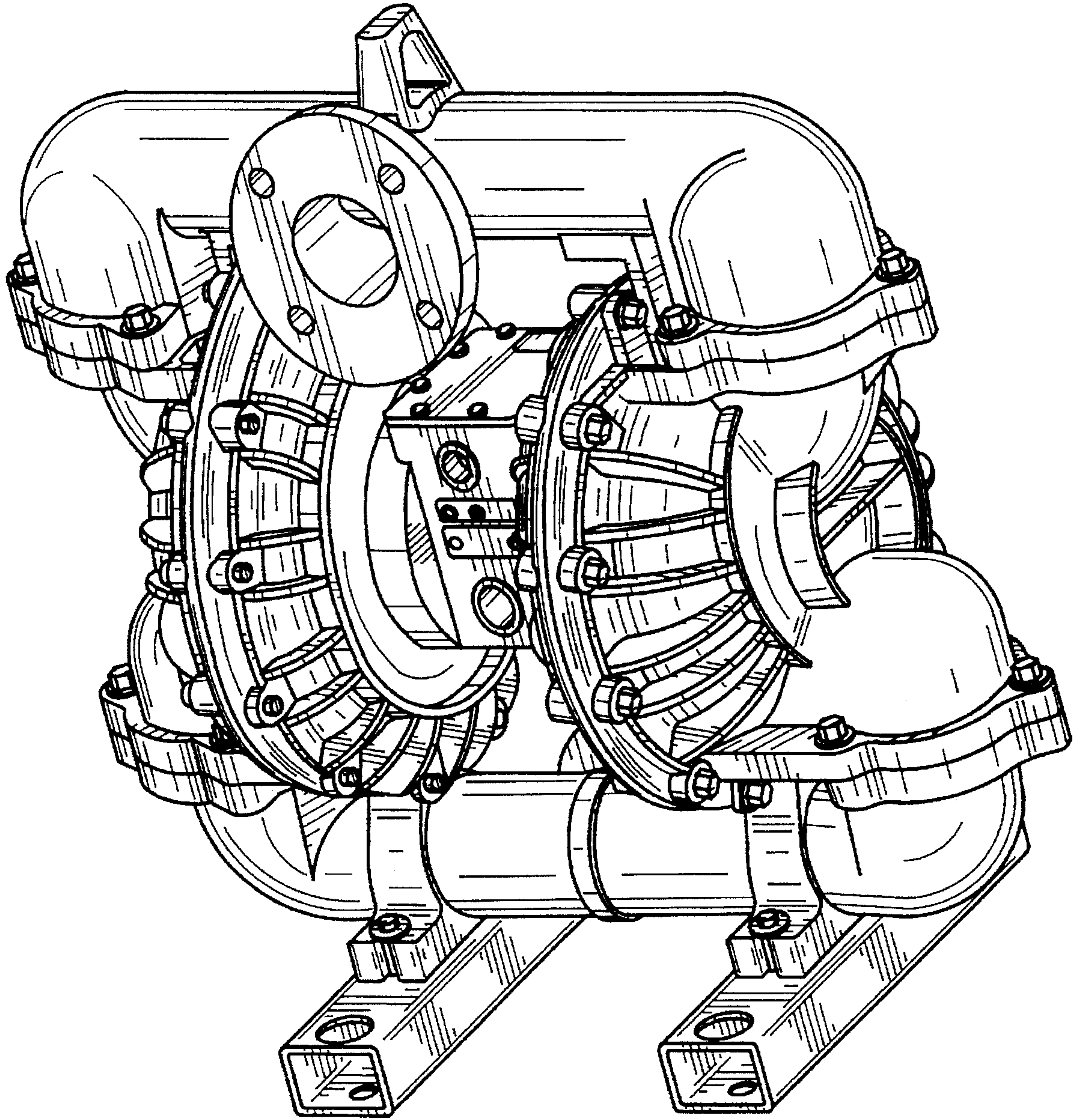


FIG. 6