



US00D380214S

United States Patent [19]
Cha

[11] **Patent Number: Des. 380,214**

[45] **Date of Patent: **Jun. 24, 1997**

[54] **VIDEO CASSETTE RECORDER**

D. 357,246 4/1995 Tanaka D14/135
D. 357,247 4/1995 Takama et al. D14/135

[75] **Inventor: Kang Hee Cha**, Inchon, Rep. of Korea

Primary Examiner—Terry A. Wallace
Assistant Examiner—Richelle Shelton
Attorney, Agent, or Firm—Merchant, Gould, Smith, Edell,
Welter & Schmidt

[73] **Assignee: Goldstar Co Ltd.**, Rep. of Korea

[**] **Term: 14 Years**

[21] **Appl. No.: 26,651**

[57] **CLAIM**

[22] **Filed: Aug. 2, 1994**

The ornamental design for a video cassette recorder, as shown and described.

[30] **Foreign Application Priority Data**

DESCRIPTION

Mar. 8, 1994 [KR] Rep. of Korea 1994-4320

FIG. 1 is a perspective view of a video cassette recorder showing my new invention;
FIG. 2 is a front elevational view thereof;
FIG. 3 is a rear elevational view thereof;
FIG. 4 is a left side elevational view thereof;
FIG. 5 is a right side elevational view thereof;
FIG. 6 is a top plan view thereof; and,
FIG. 7 is a bottom plan view thereof.

[51] **LOC (6) Cl. 14-01**

[52] **U.S. Cl. D14/135**

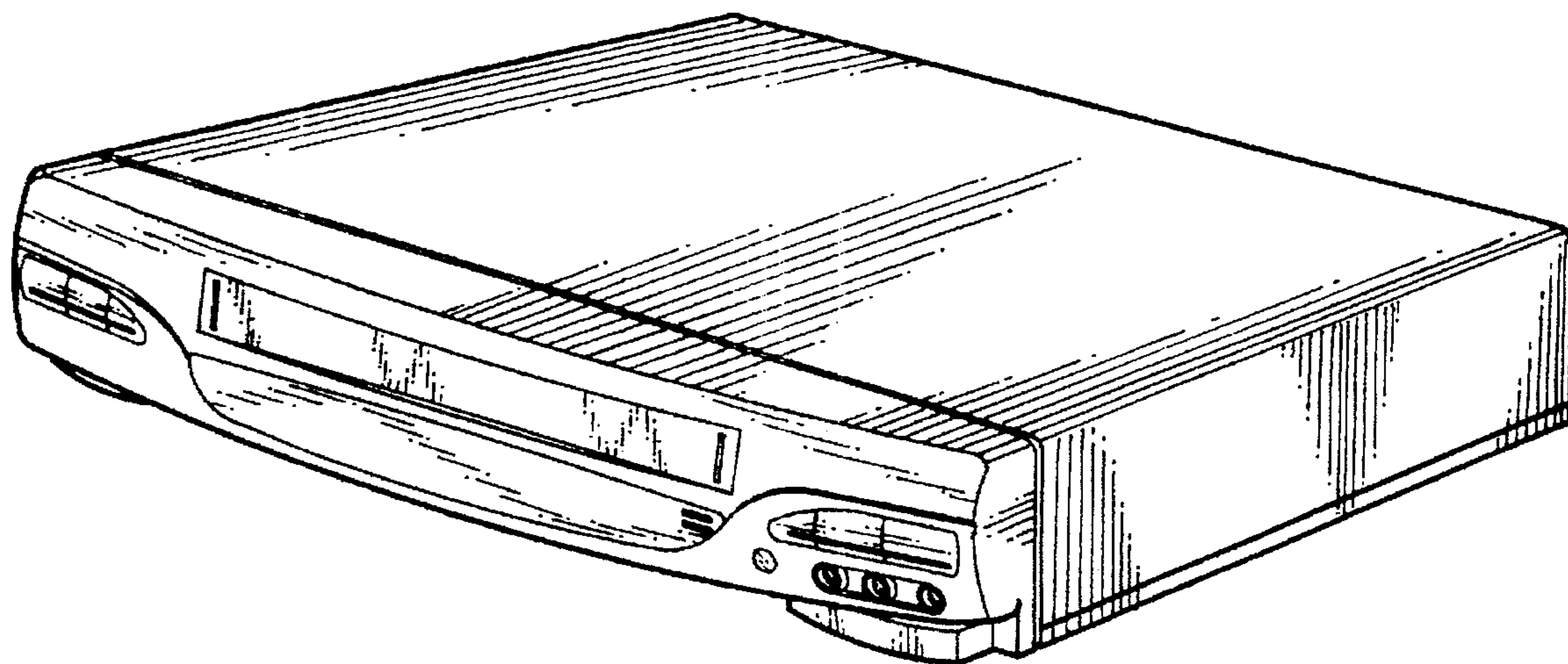
[58] **Field of Search D14/124, 135,
D14/136, 156, 299**

[56] **References Cited**

U.S. PATENT DOCUMENTS

D. 327,677 7/1992 Byun D14/135

1 Claim, 5 Drawing Sheets



F I G . 1

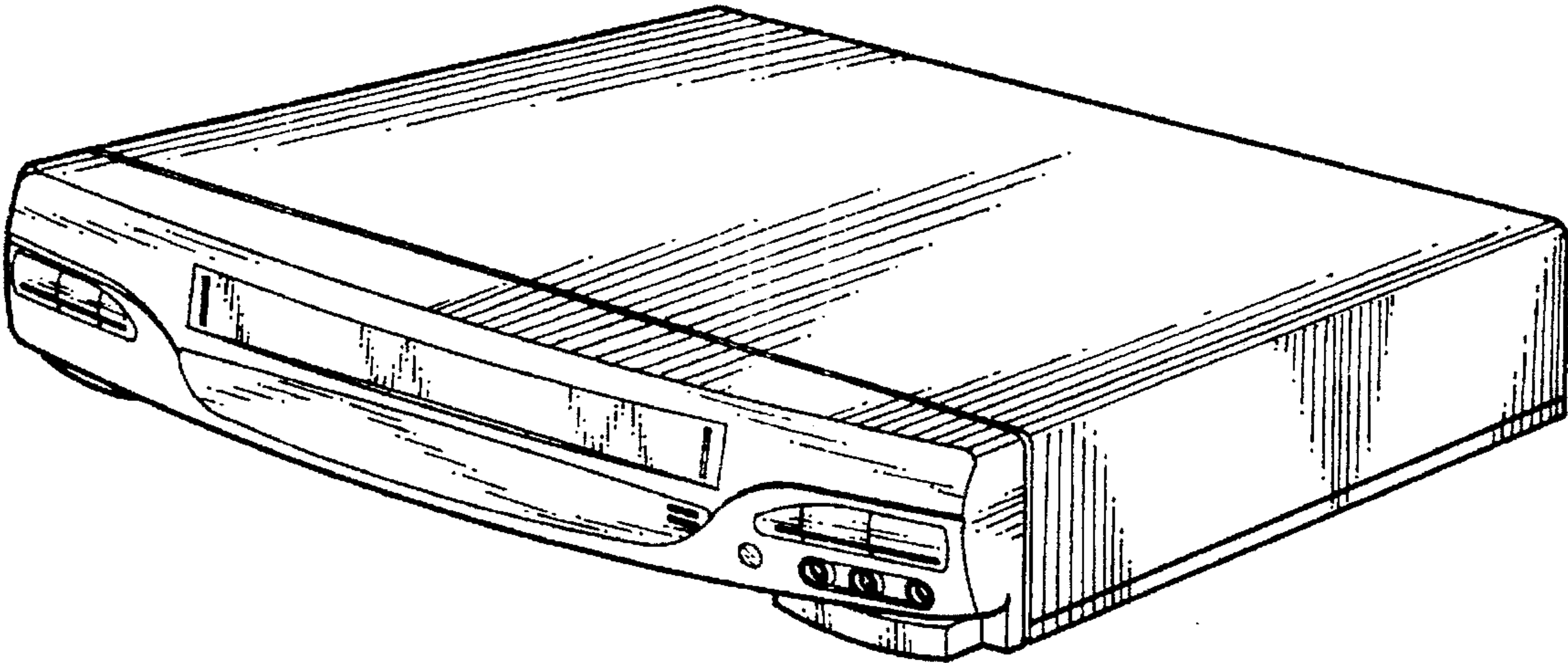


FIG. 2

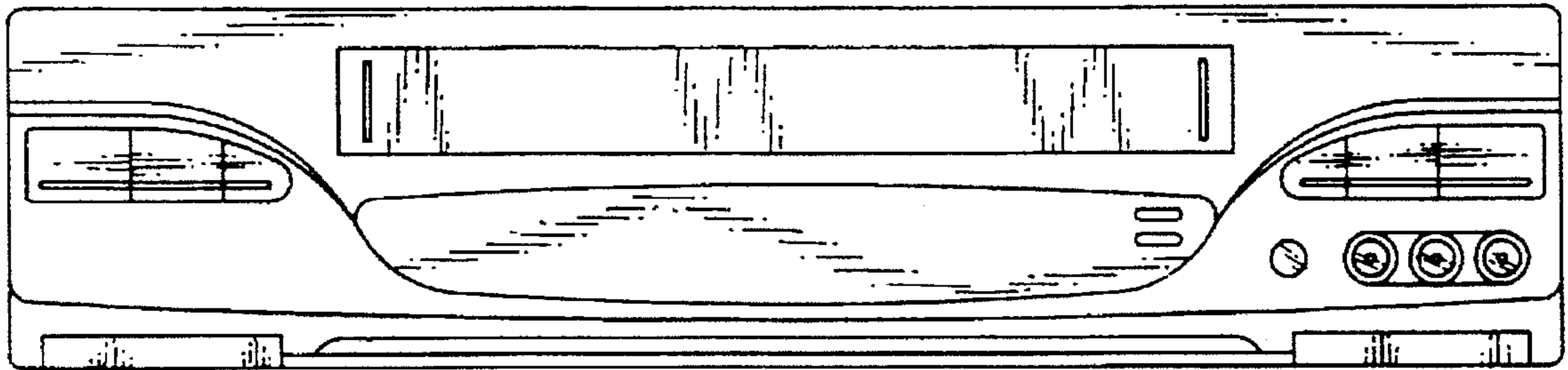


FIG. 3

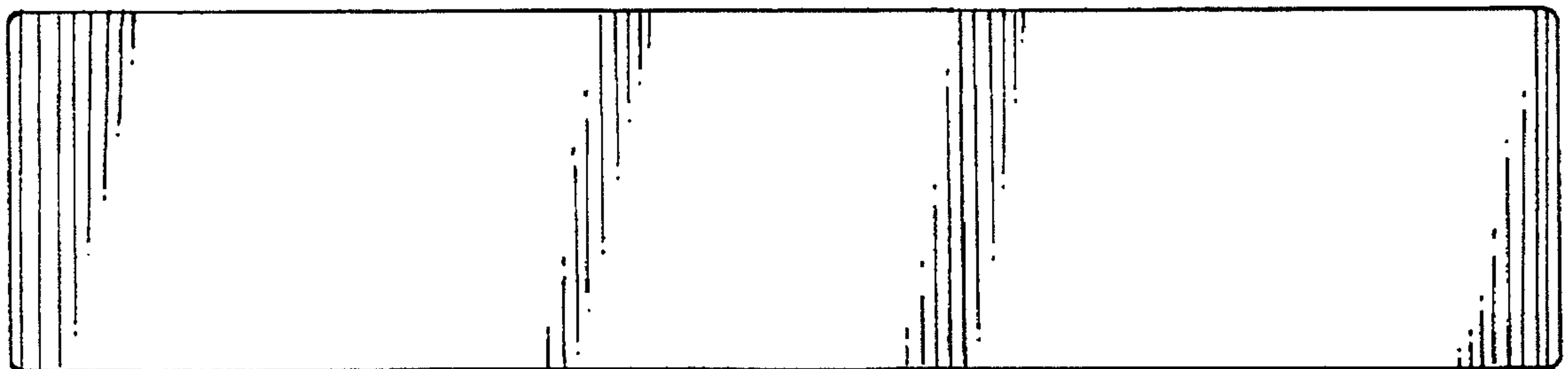


FIG. 4

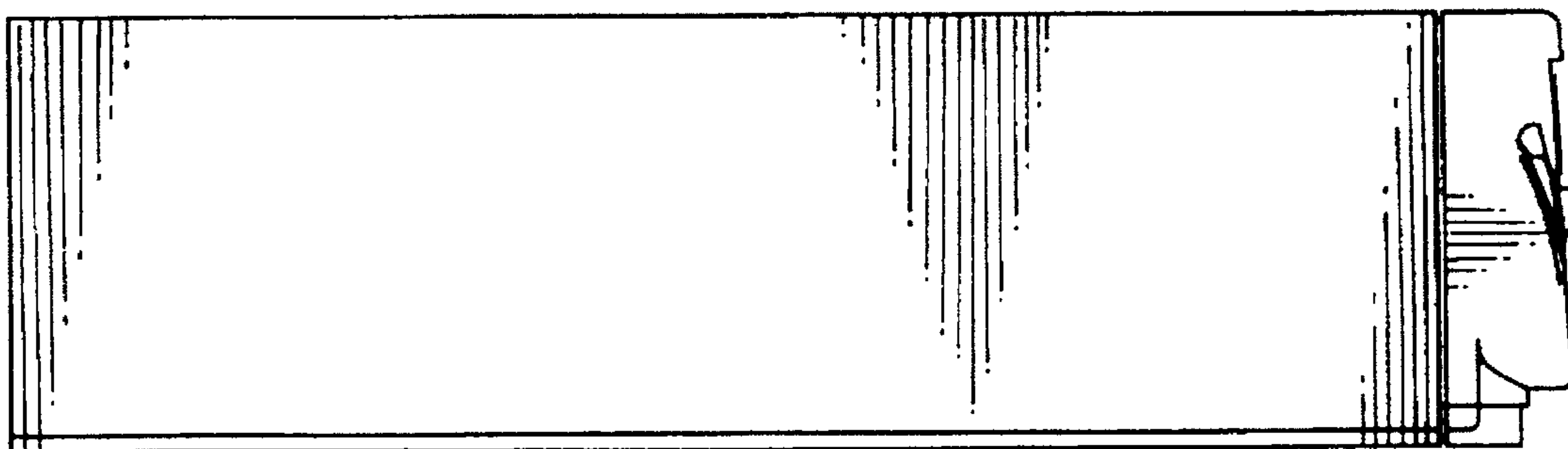


FIG. 5

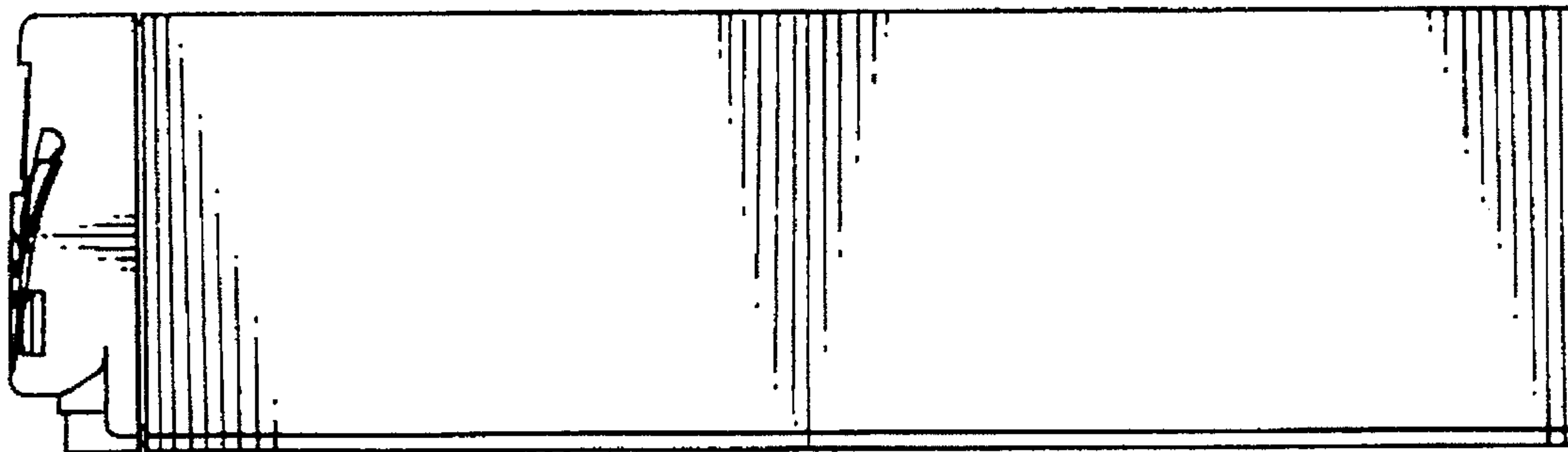


FIG. 6

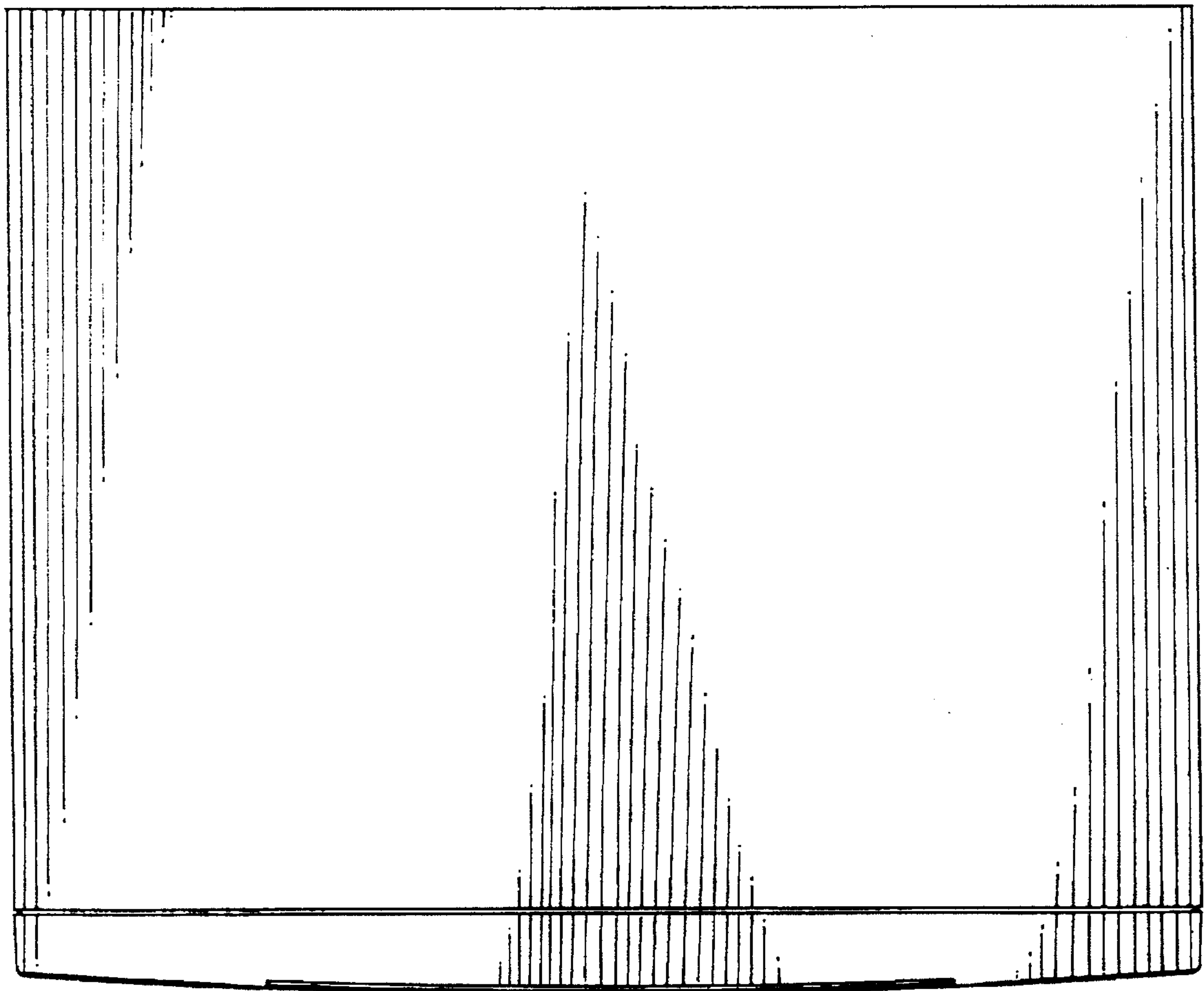


FIG. 7

