



US00D380211S

United States Patent [19]

Aderman et al.

[11] Patent Number: **Des. 380,211**

[45] Date of Patent: ****Jun. 24, 1997**

[54] **FRONT PANEL FOR A RACK MOUNTED DATA STORAGE UNIT FOR A DATA PROCESSING SYSTEM**

D. 332,949	2/1993	Aderman	D14/115
D. 349,494	8/1994	Aderman et al.	D14/115
D. 360,411	7/1995	Sharp et al.	D14/115

[75] Inventors: **Wayne L. Aderman**, Zumbro Falls, Minn.; **David Wayne Hill**, Cary, N.C.; **Tim Kerry Murphy**, Rochester, Minn.

Primary Examiner—Freda Nunn
Attorney, Agent, or Firm—Matthew J. Bussan

[73] Assignee: **International Business Machines Corporation**, Armonk, N.Y.

[57] **CLAIM**

[**] Term: **14 Years**

The ornamental design for a front panel for a rack mounted data storage unit for a data processing system, as shown and described.

[21] Appl. No.: **43,484**

DESCRIPTION

[22] Filed: **Sep. 5, 1995**

FIG. 1 is a top, front, right side isometric view of a front panel for a rack mounted data storage unit for a data processing system, showing our new design;

[51] **LOC (6) Cl.** **14-02**

FIG. 2 is a front elevational view thereof;

[52] **U.S. Cl.** **D14/115**

FIG. 3 is a top plan view thereof;

[58] **Field of Search** D14/100, 102, D14/107-109, 115, 257, 258; D13/162, 184, 164, 177, 199; D10/103; 312/223.2; 361/600, 622, 724-728

FIG. 4 is a bottom plan view thereof; and,

FIG. 5 is a right side elevational view thereof; the left side being identical.

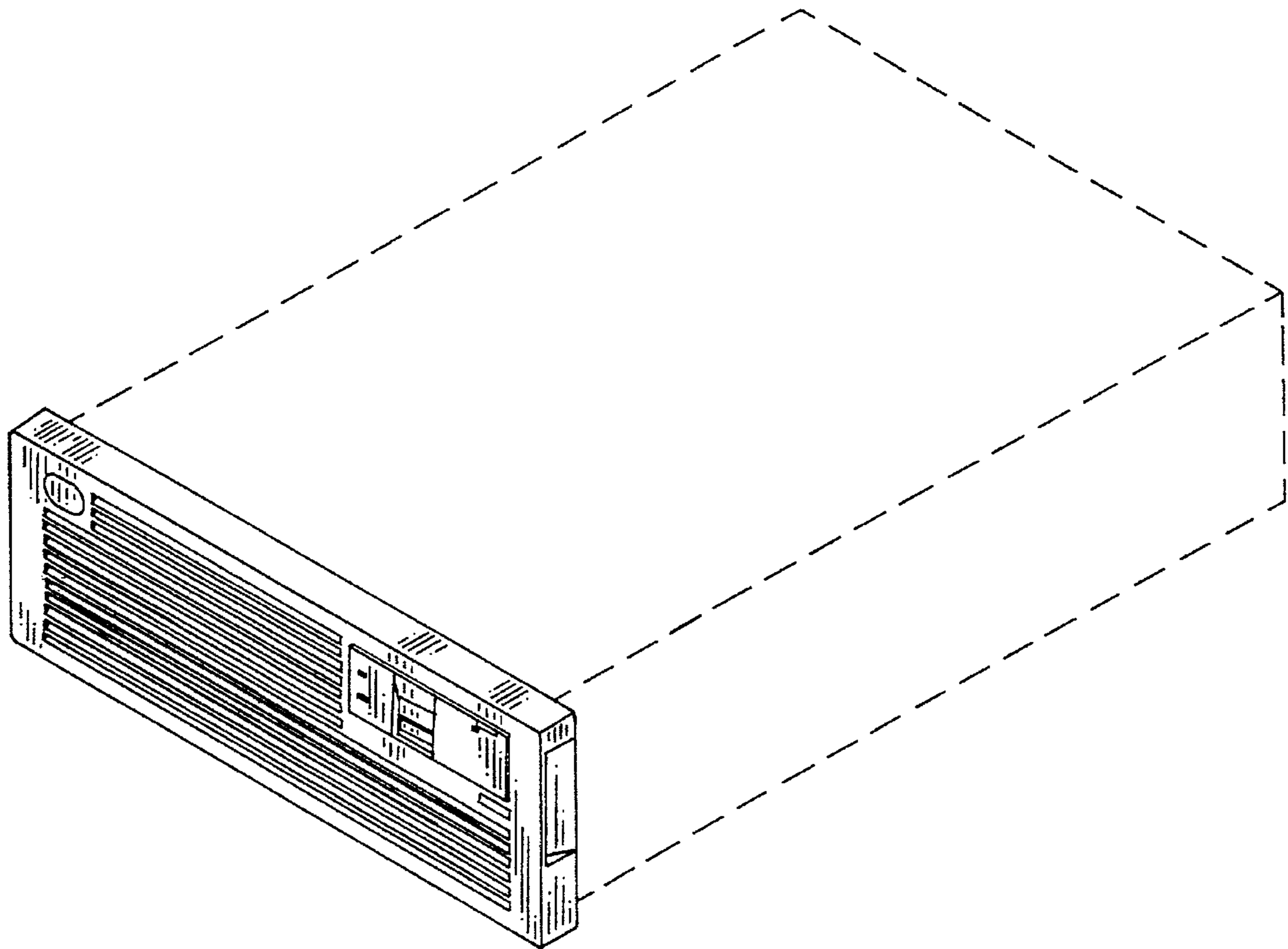
The rack mounted data storage unit is shown in broken lines in the views for illustrative purposes only and forms no part of the claimed design.

[56] **References Cited**

U.S. PATENT DOCUMENTS

D. 308,672 6/1990 Aderman et al. D14/115

1 Claim, 5 Drawing Sheets



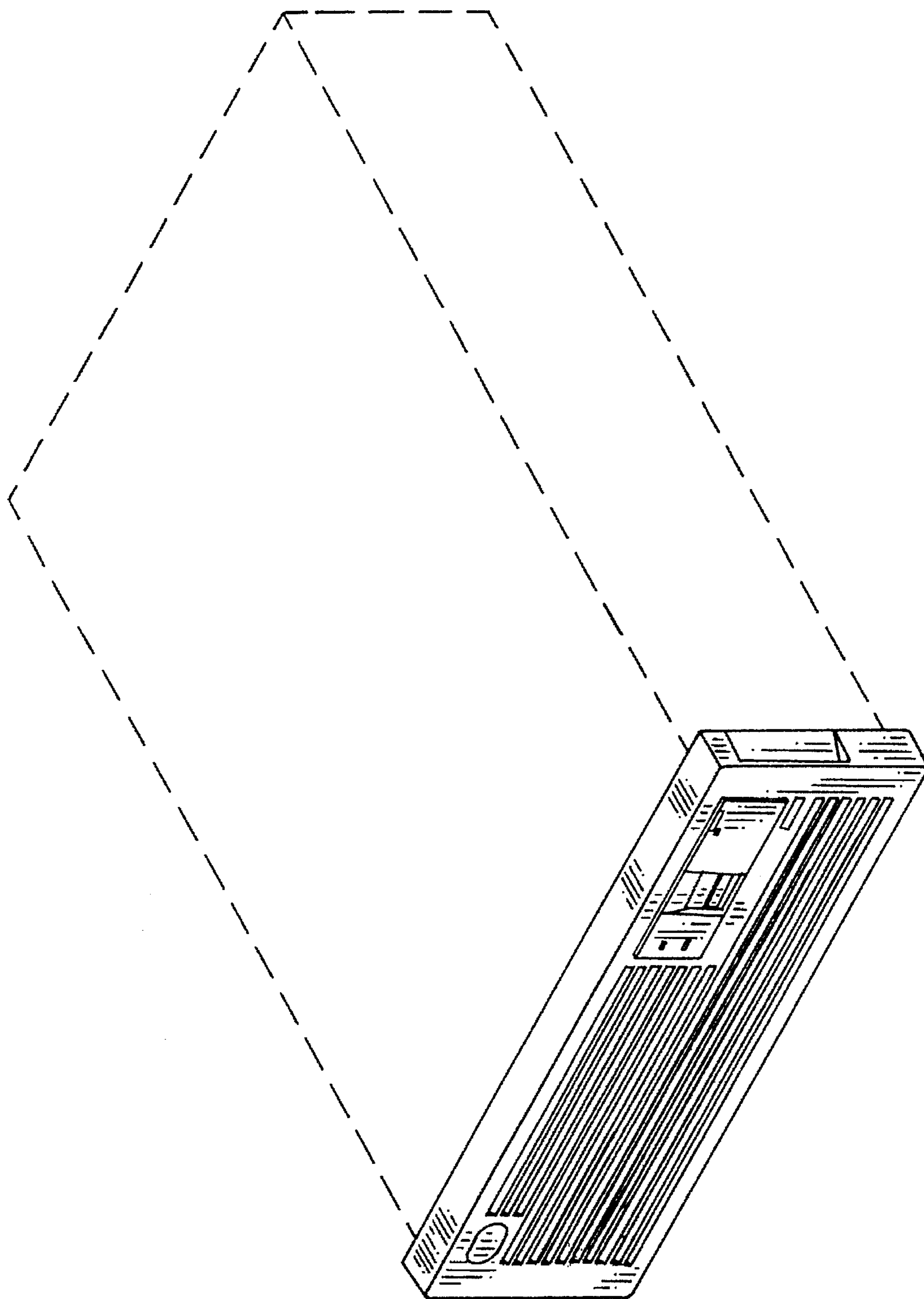


FIG. 1

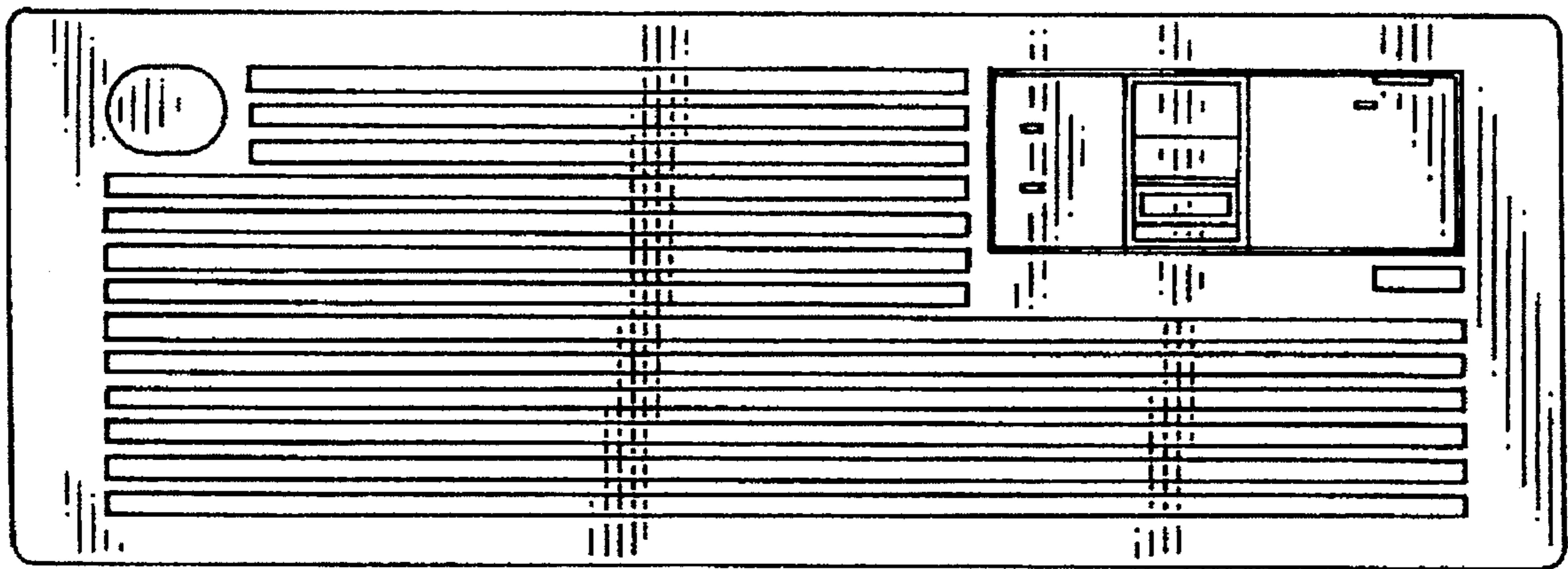


FIG. 2

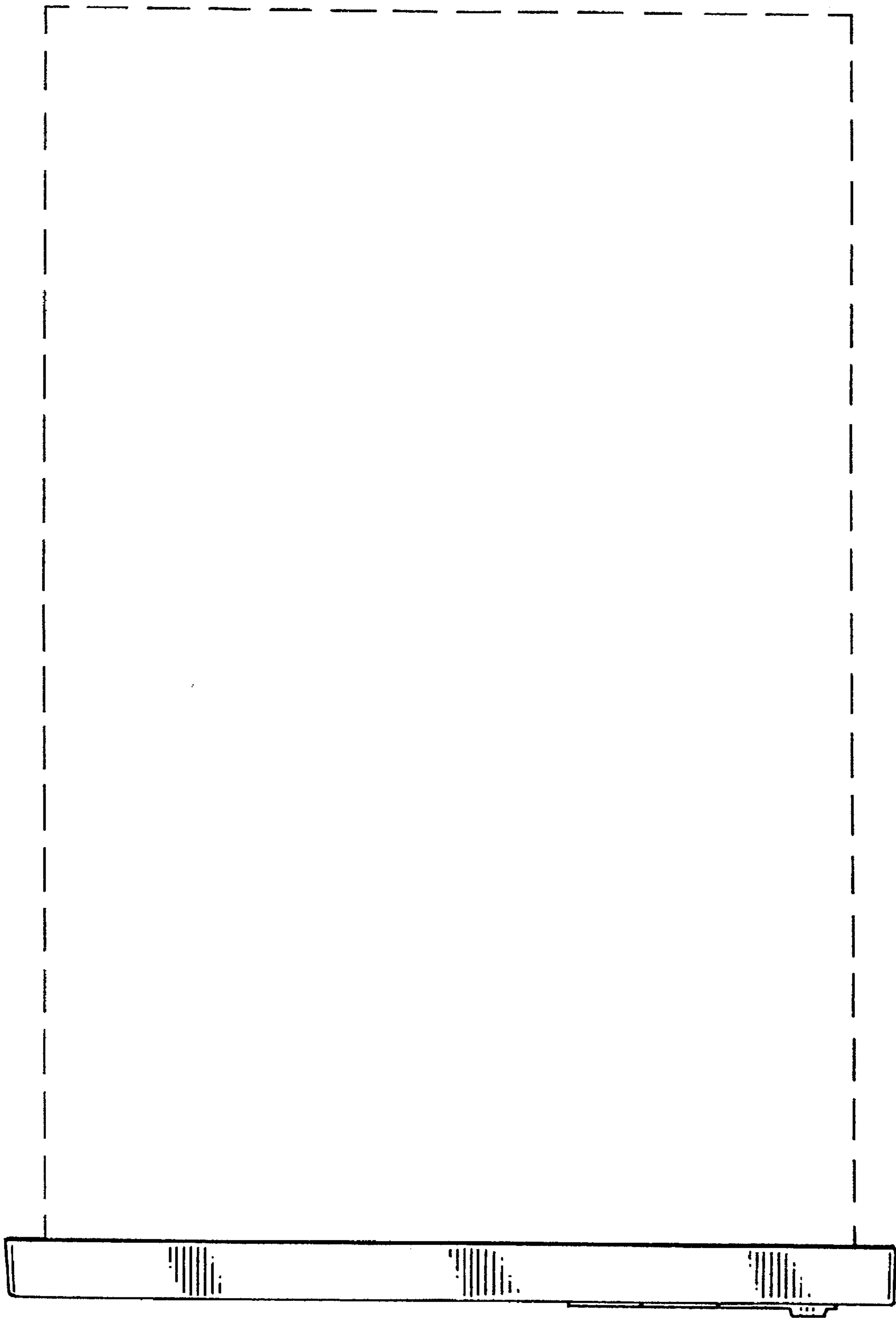


FIG. 3

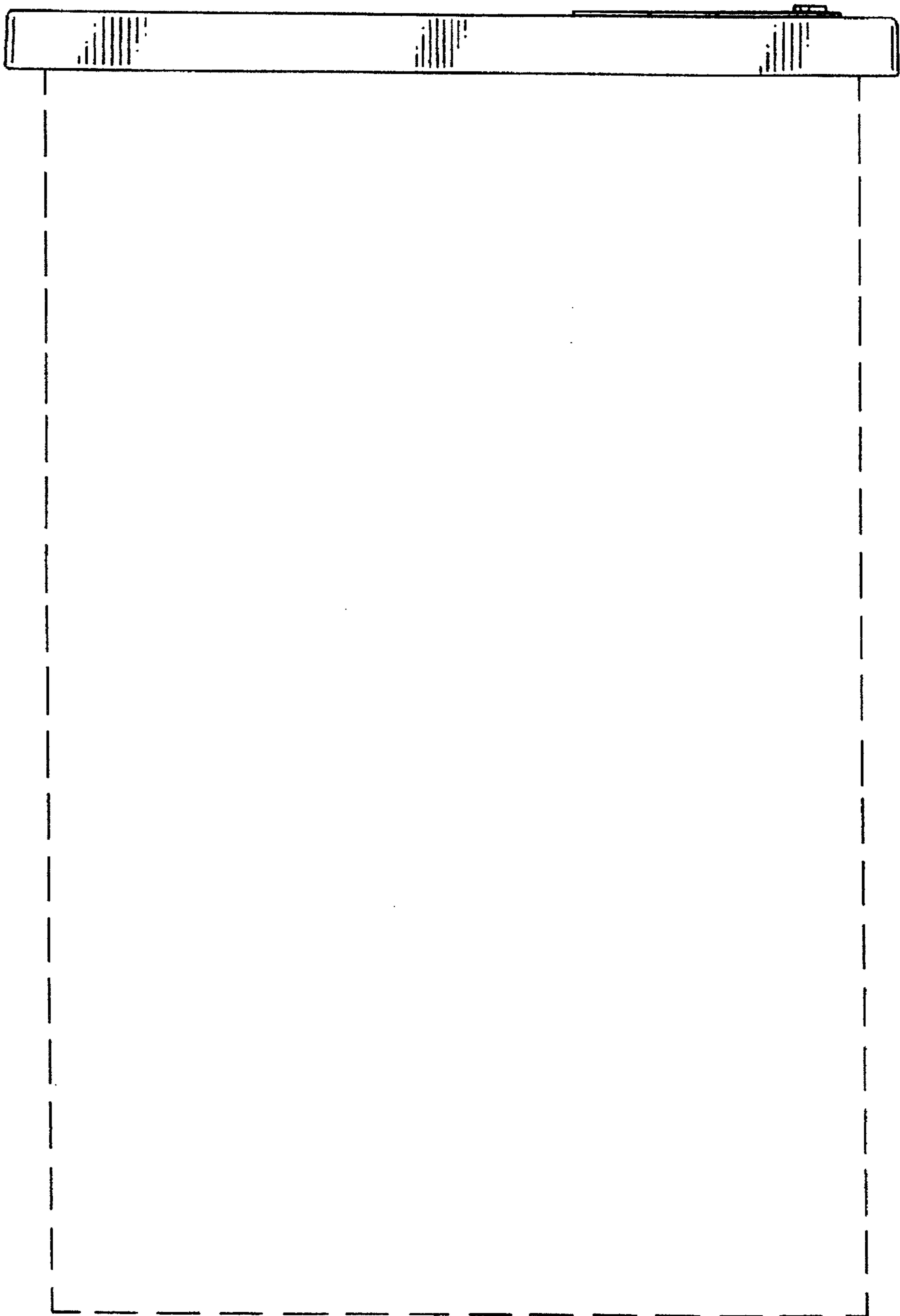


FIG. 4

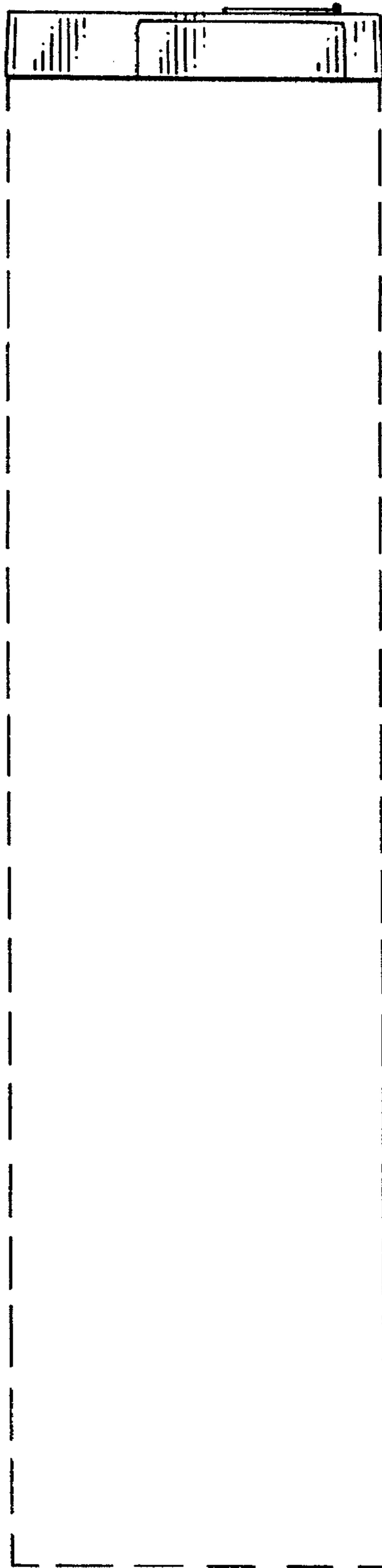


FIG. 5