



US00D380205S

United States Patent [19]

[11] Patent Number: **Des. 380,205**

Bares

[45] Date of Patent: ****Jun. 24, 1997**

[54] **RADIO MODEM DOCKING STATION FOR PALM-SIZED COMPUTER**

D. 366,469 1/1996 Youens D14/107
D. 368,911 4/1996 Lam D14/107 X

[75] Inventor: **Steven John Bares**, Ridgewood, N.J.

Primary Examiner—Freda Nunn
Attorney, Agent, or Firm—Marger, Johnson, et al.

[73] Assignee: **EnBloc, Inc.**, Portland, Oreg.

[57] **CLAIM**

[**] Term: **14 Years**

The ornamental design for a radio modem docking station for palm-sized comuter, as shown and described.

[21] Appl. No.: **49,452**

DESCRIPTION

[22] Filed: **Jan. 25, 1996**

FIG. 1 is a perspective view of the radio modem docking station for palm-sized computer showing my new design; FIG. 2 is a top plan view thereof; FIG. 3 is a front elevational view thereof; FIG. 4 is a rear elevational view thereof; FIG. 5 is left side elevational view thereof; FIG. 6 is a right side elevational view thereof; and, FIG. 7 is a bottom plan view thereof. The broken lines are shown inf FIG. 5 for illustrative purposes only and form no part of the claimed design.

[51] **LOC (6) Cl.** **14-02**

[52] **U.S. Cl.** **D14/107**

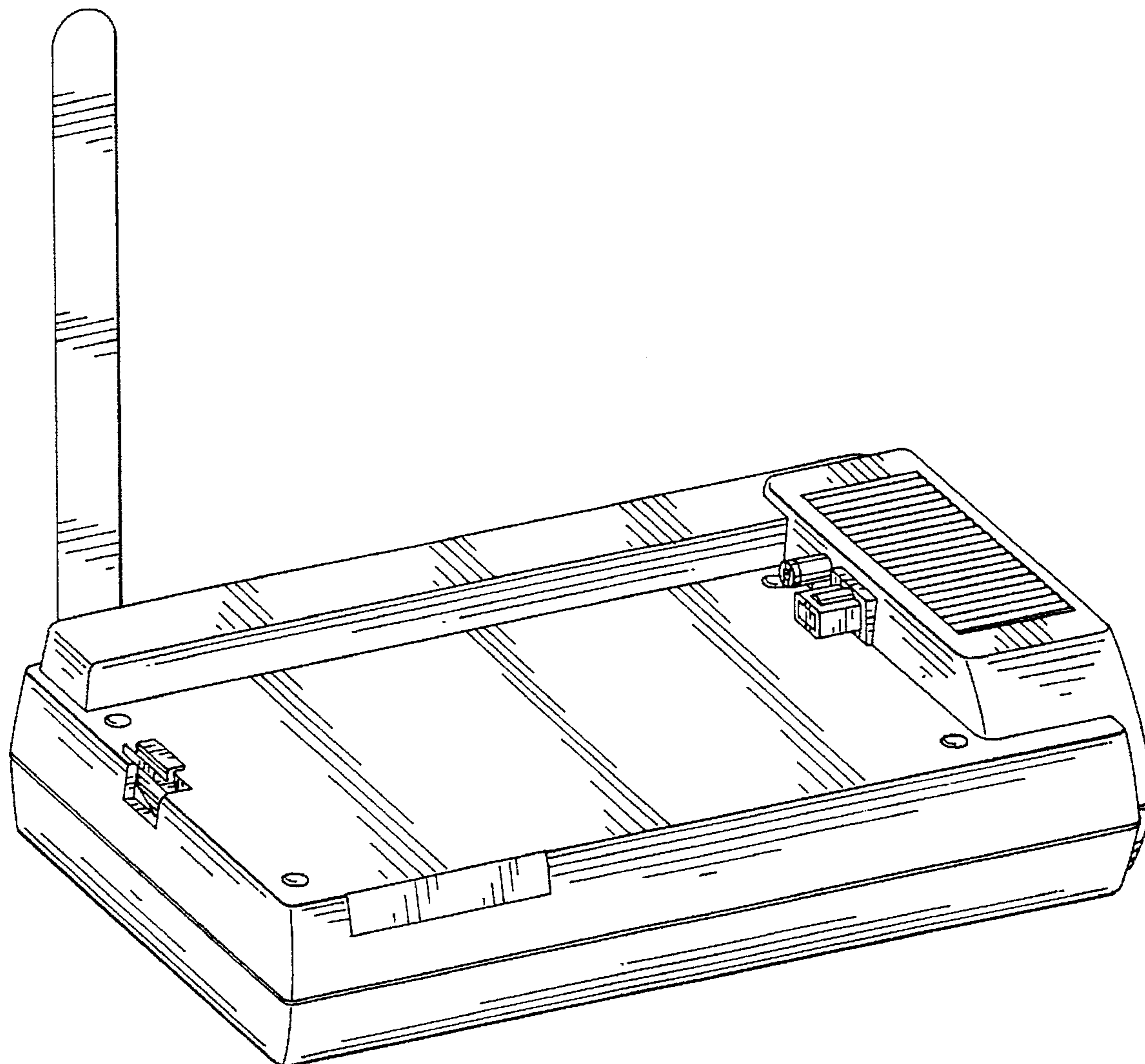
[58] **Field of Search** D14/100, 105, D14/107, 109; D13/184, 199; 361/683-686; 364/708.1; 439/95, 284, 357, 372, 248

[56] **References Cited**

U.S. PATENT DOCUMENTS

D. 336,287 6/1993 Mizusugi et al. D14/107
D. 354,951 1/1995 Fenton et al. D14/107

1 Claim, 4 Drawing Sheets



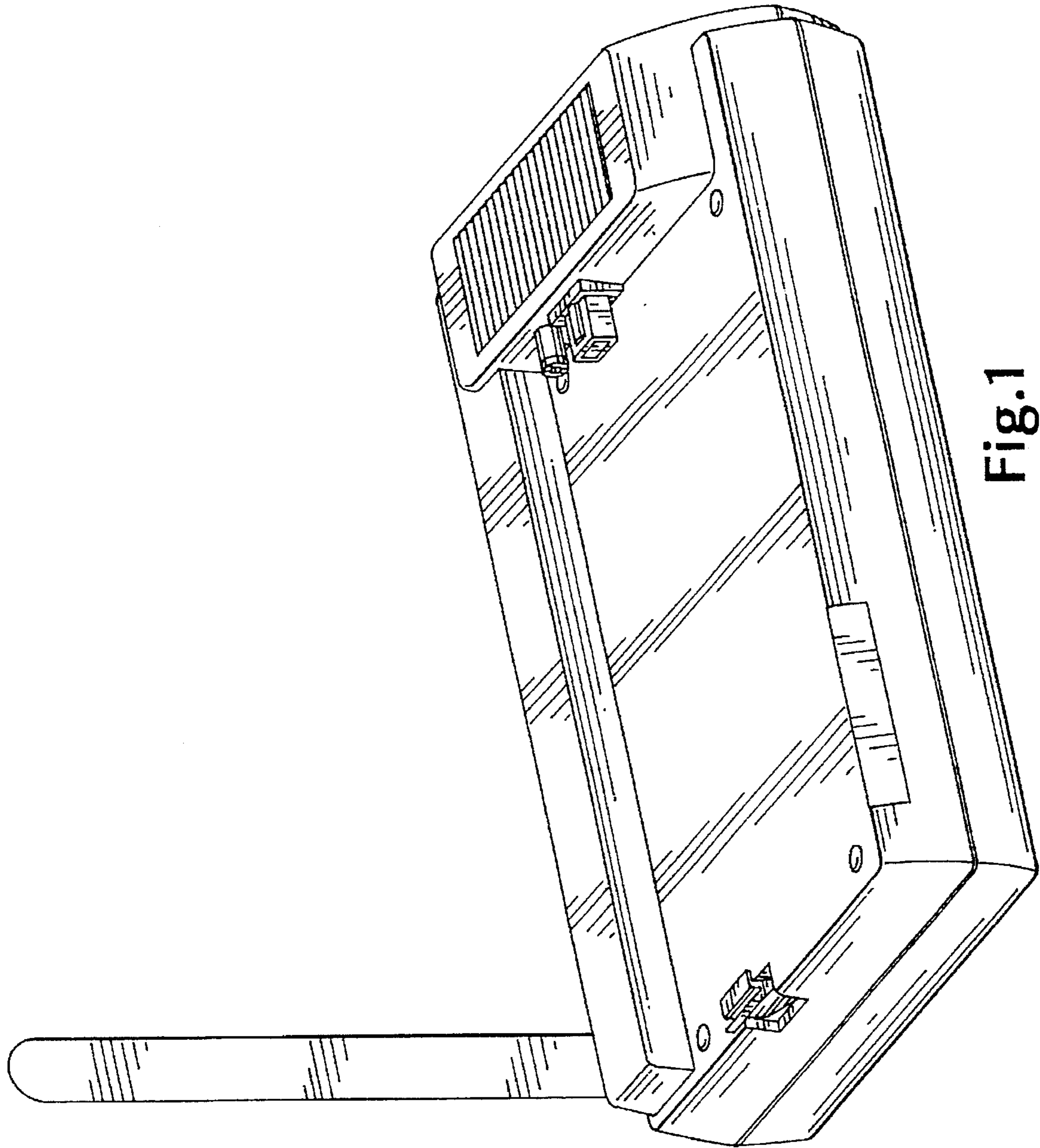


Fig.1

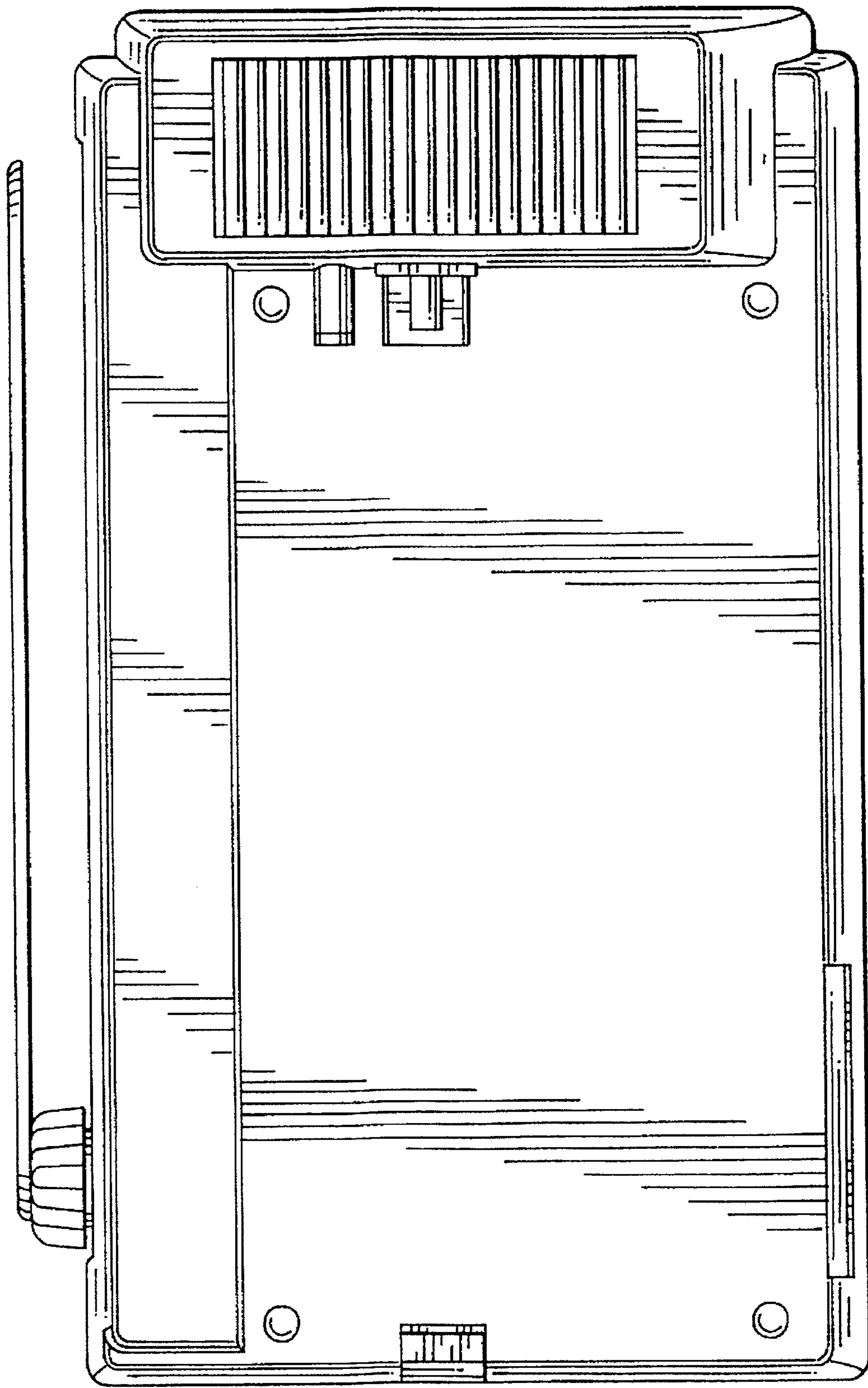


Fig. 2

Fig.3

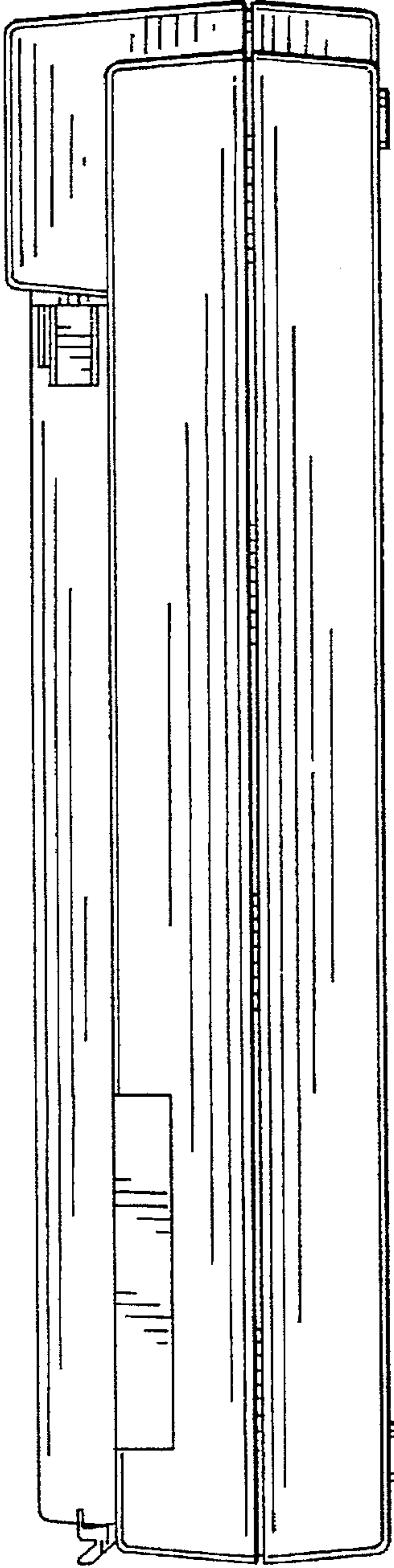


Fig.4

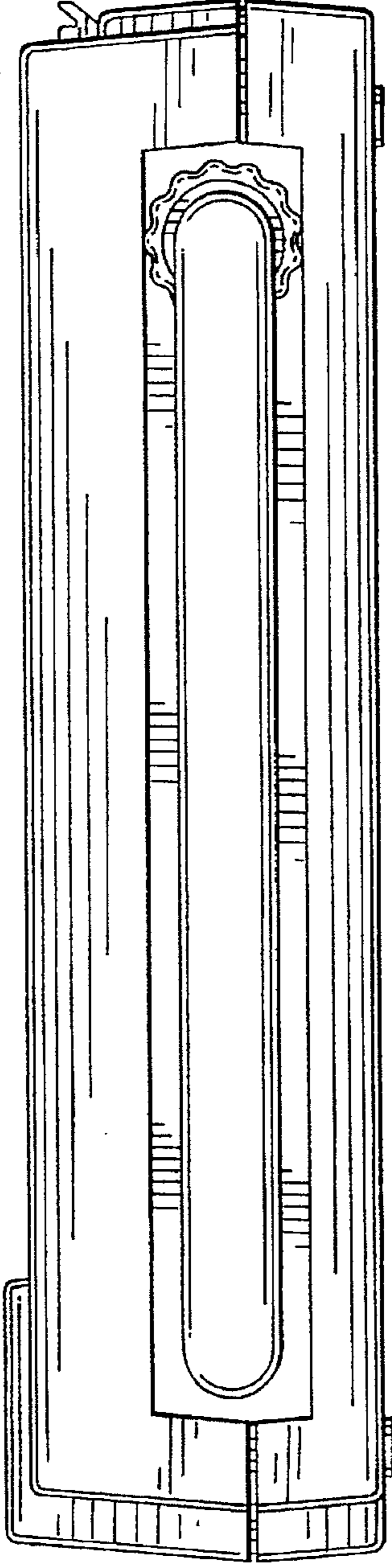


Fig.6

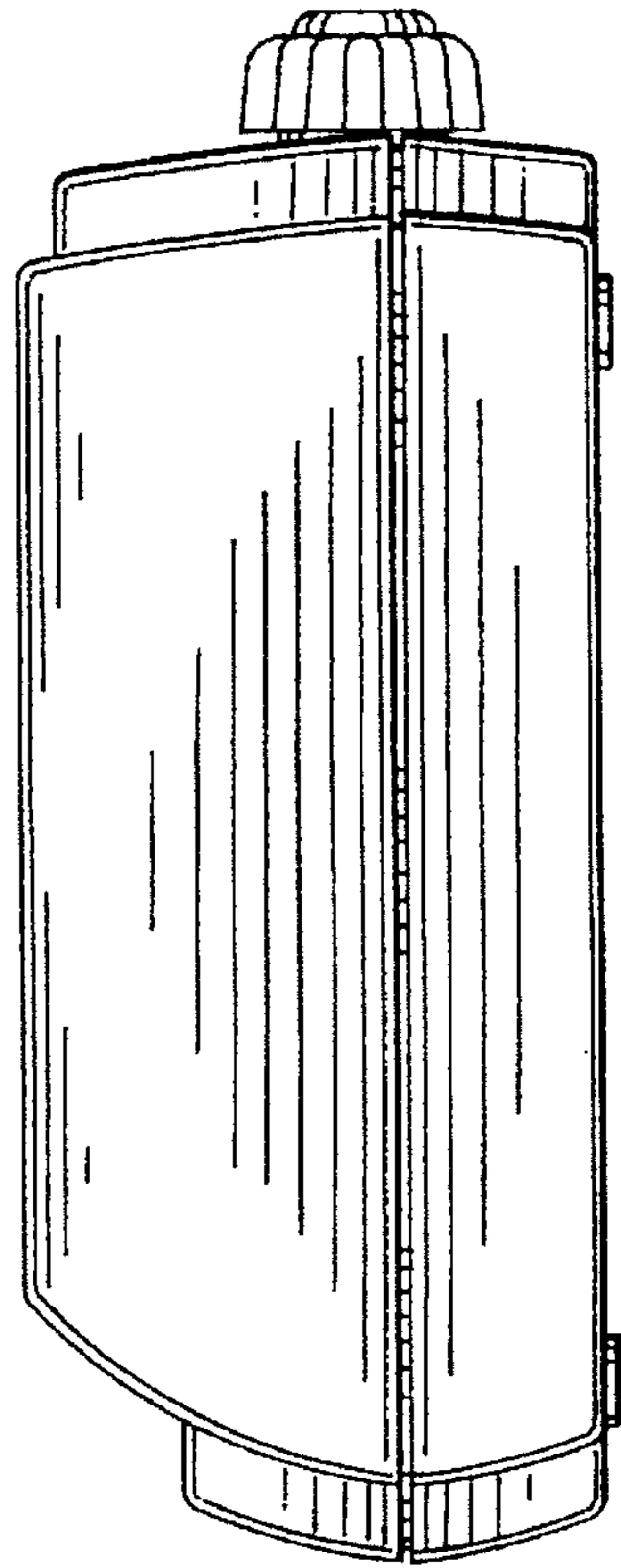
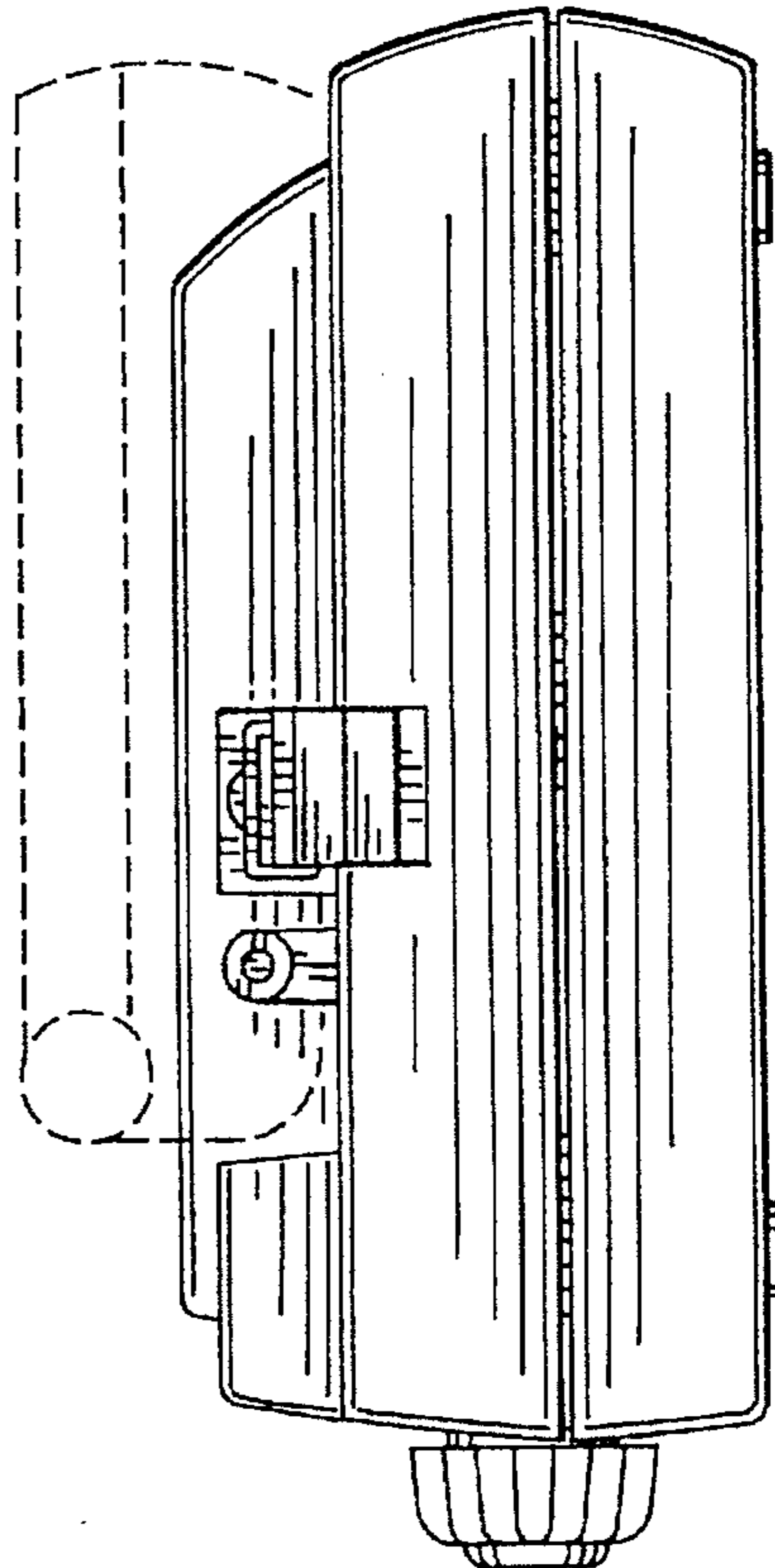


Fig.5



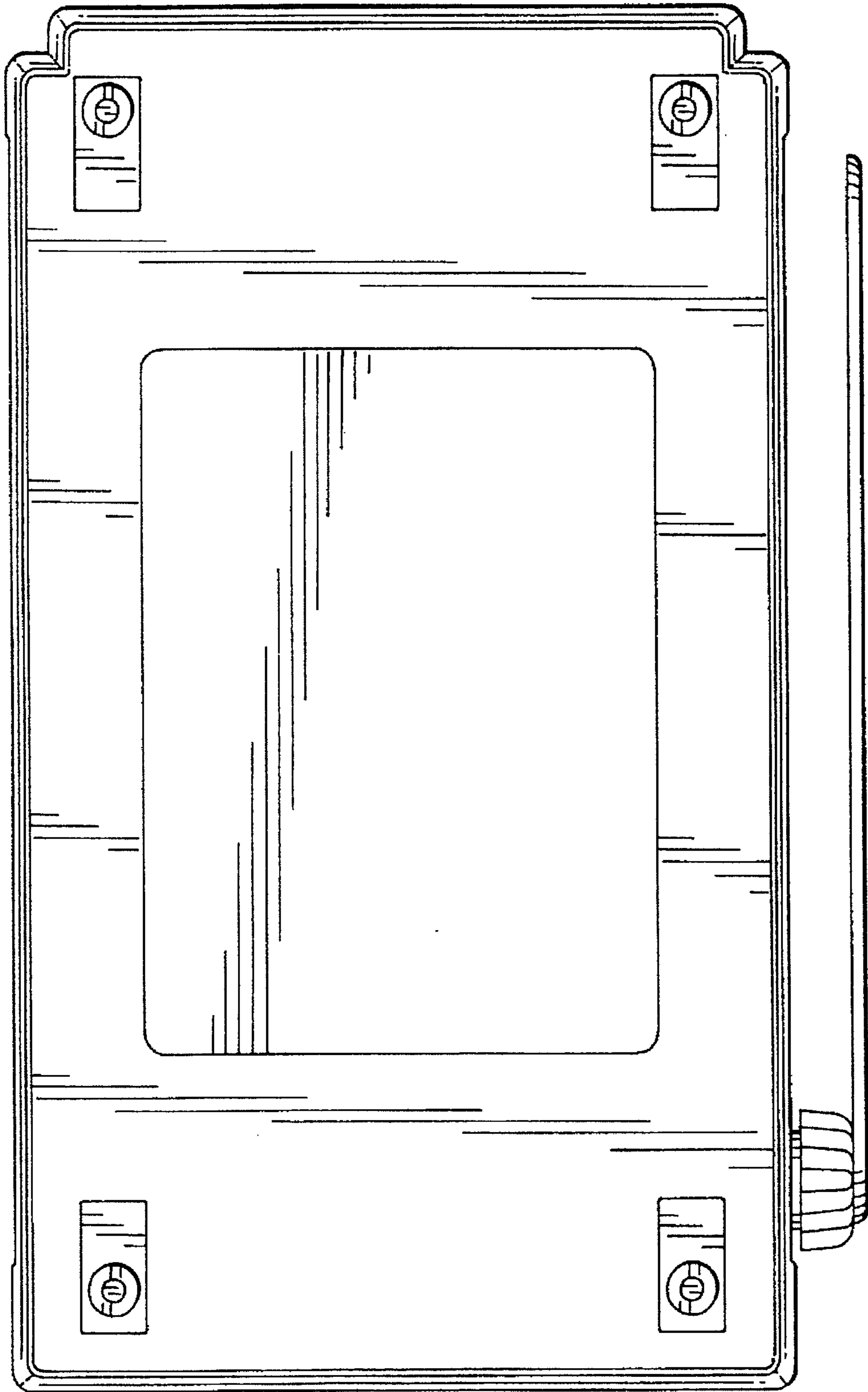


Fig. 7