



US00D380200S

United States Patent [19]

Hill et al.

[11] Patent Number: **Des. 380,200**

[45] Date of Patent: ****Jun. 24, 1997**

[54] **DATA STORAGE UNIT FOR A DATA PROCESSING SYSTEM**

[75] Inventors: **David Wayne Hill; Tim Kerry Murphy**, both of Rochester, Minn.

[73] Assignee: **International Business Machines Corporation**, Armonk, N.Y.

[**] Term: **14 Years**

[21] Appl. No.: **38,235**

[22] Filed: **May 1, 1995**

[51] LOC (6) Cl. **14-02**

[52] U.S. Cl. **D14/100**

[58] Field of Search D14/100, 102, D14/107-109; D13/162, 184, 199; D6/432, 436, 445, 448; 312/208.1; 360/97.01, 97.04, 98.01; 361/694, 696; 369/34, 36

[56] **References Cited**

U.S. PATENT DOCUMENTS

- D. 319,225 8/1991 Kline et al. D14/109
- D. 350,945 9/1994 Hill et al. D14/109

D. 351,146 10/1994 Hill et al. D14/109

Primary Examiner—Freda Nunn
Attorney, Agent, or Firm—Matthew J. Bussan

[57] **CLAIM**

The ornamental design for a data storage unit for a data processing system, as shown and described.

DESCRIPTION

FIG. 1 is a top, front, right side isometric view of a data storage unit for a data processing system, showing our new design;

FIG. 2 is a front elevational view thereof;

FIG. 3 is a right side elevational view thereof, the left side being identical;

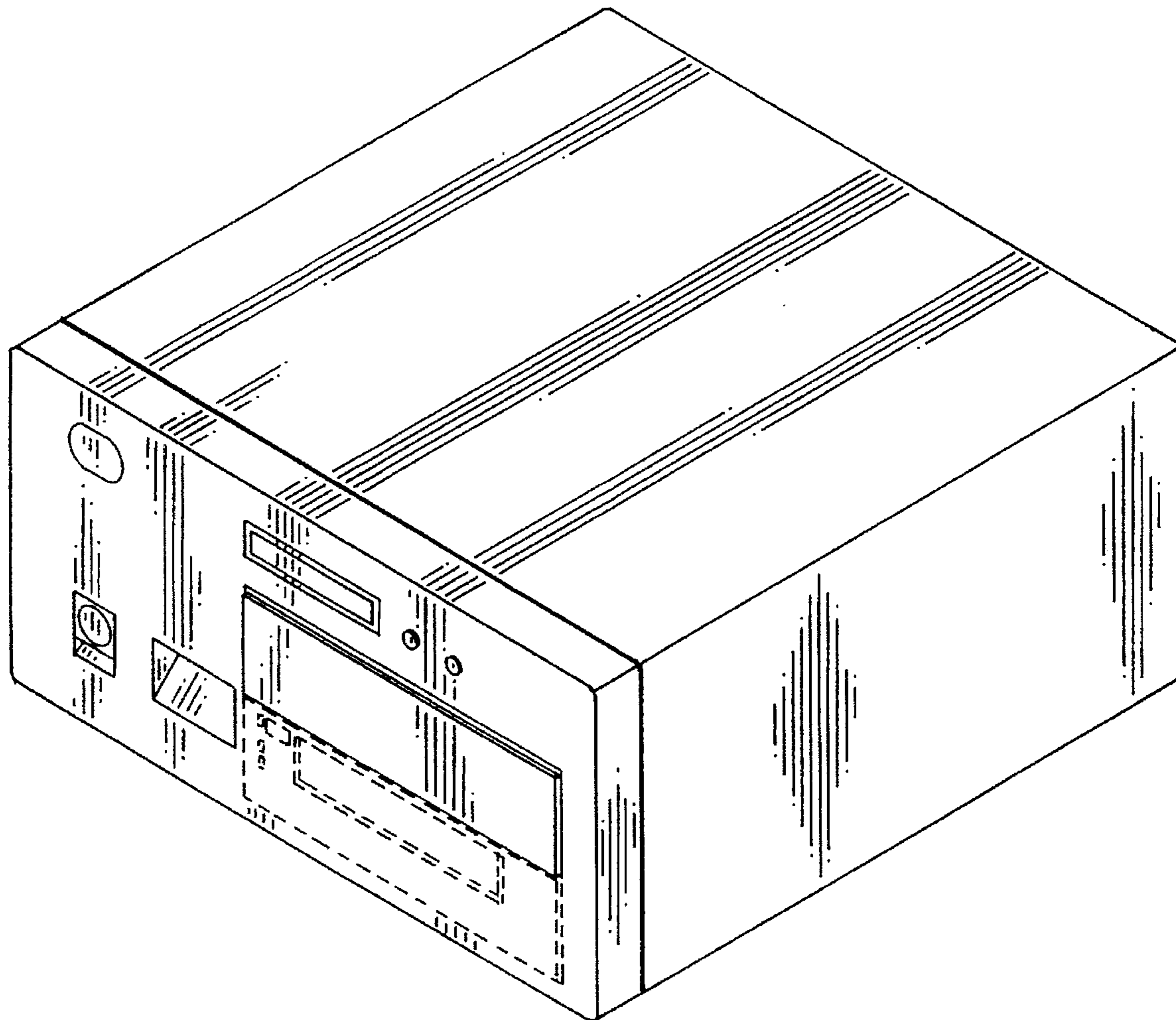
FIG. 4 is a top plan view thereof;

FIG. 5 is a bottom plan view thereof; and,

FIG. 6 is a rear elevational view thereof.

The removable tape drive located in one of the two data storage bays is shown in broken lines in FIGS. 1 and 2 for illustrative purposes only and forms no part of the claimed design.

1 Claim, 6 Drawing Sheets



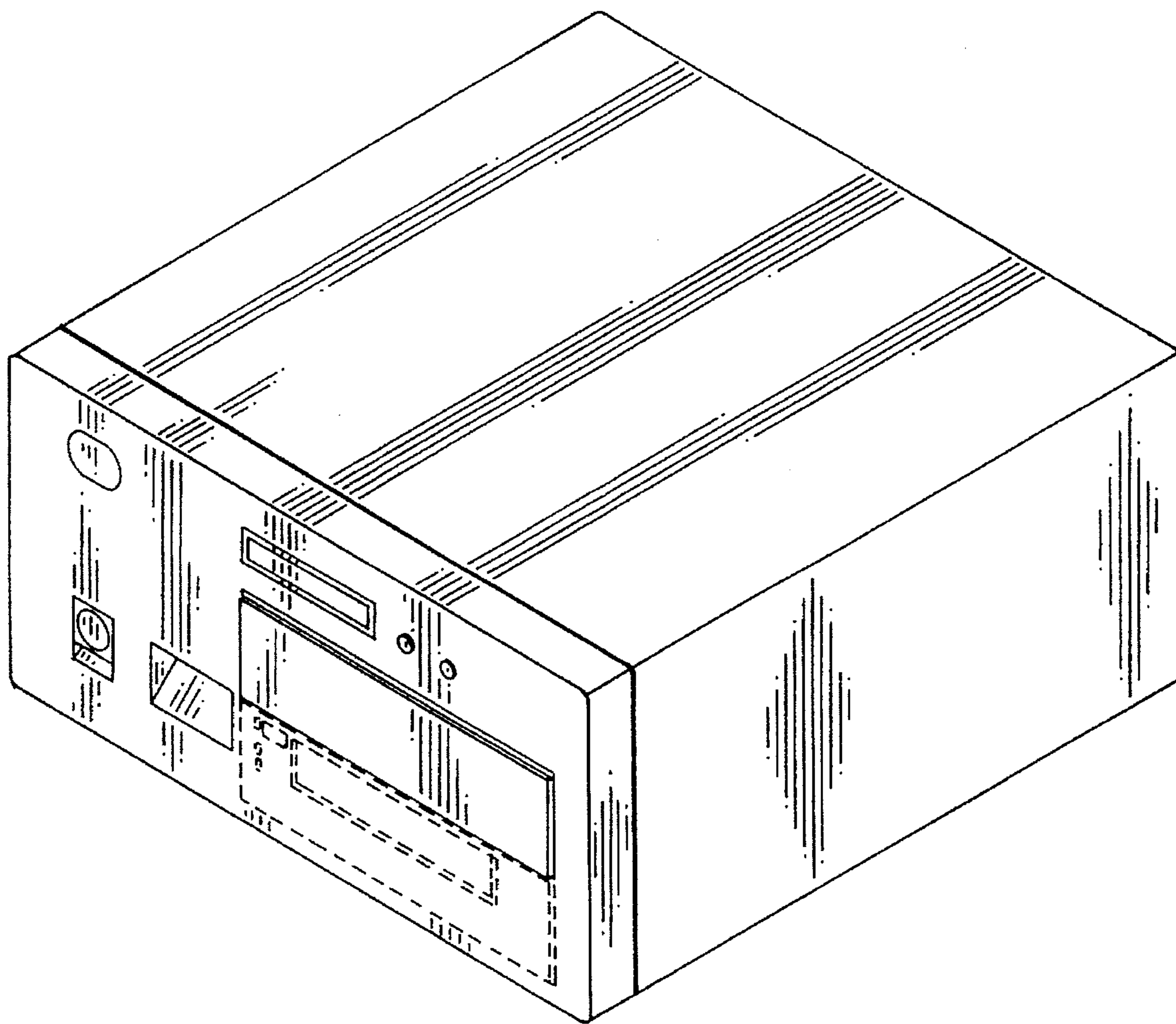


FIG. 1

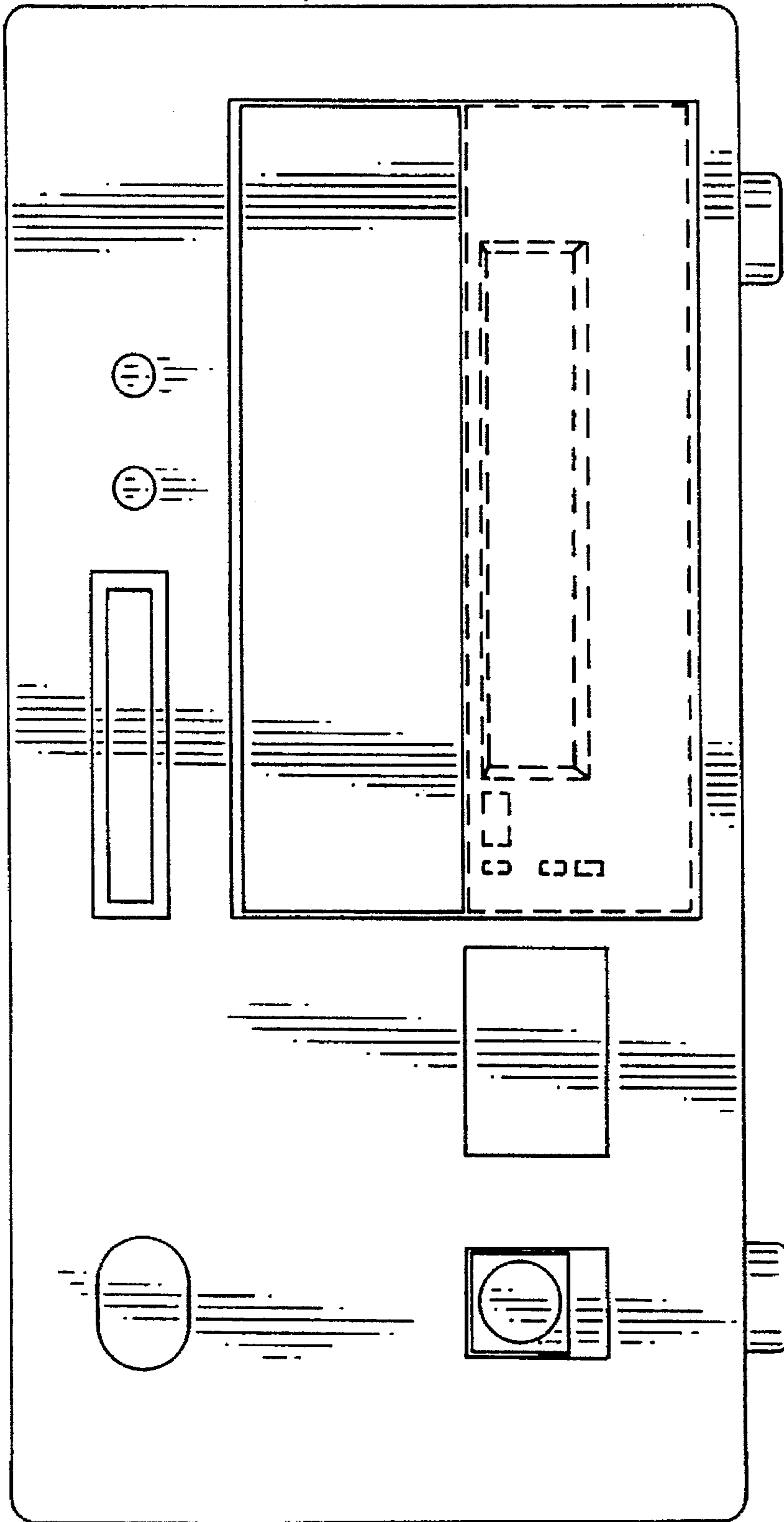


FIG. 2

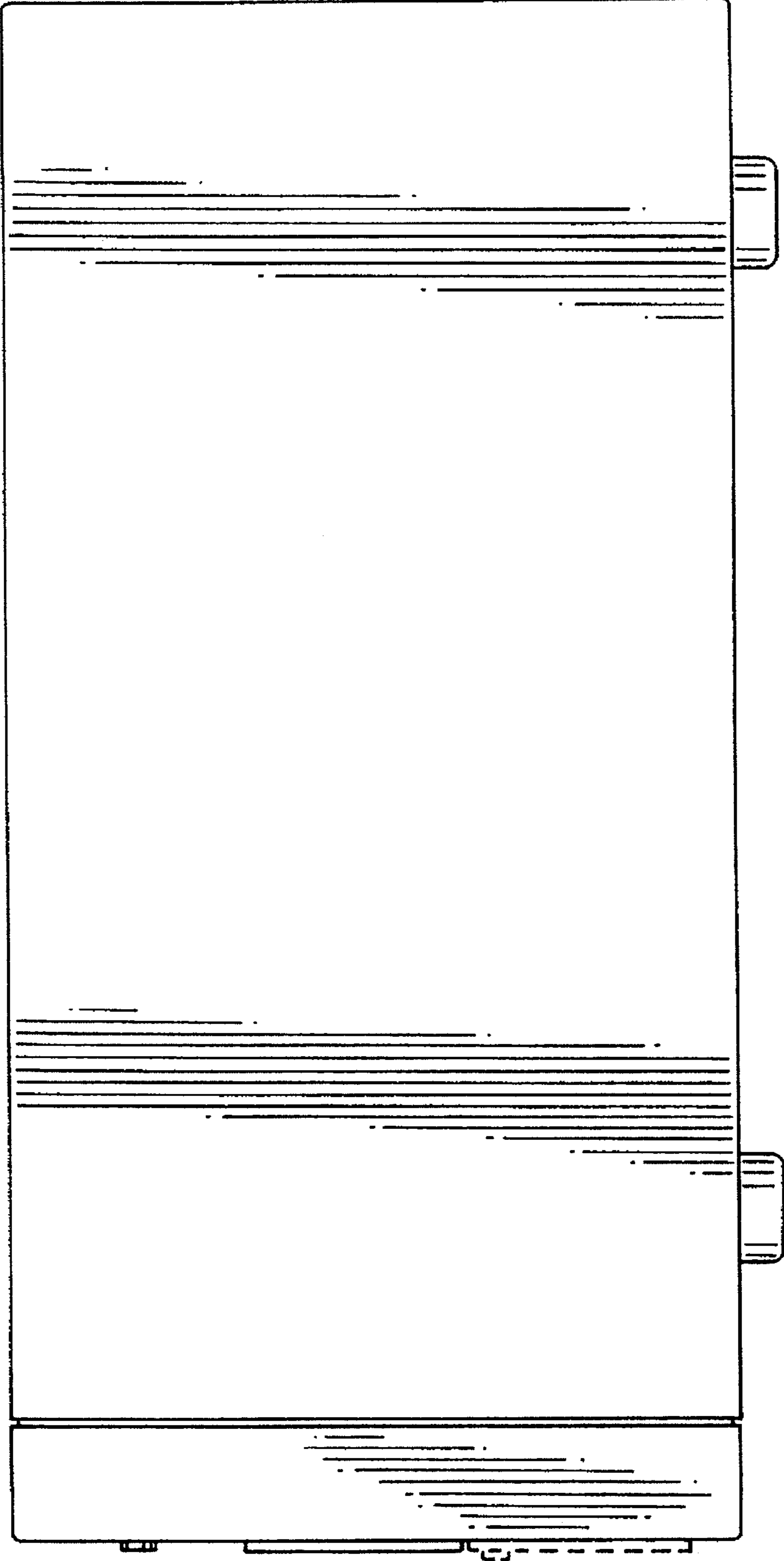


FIG. 3

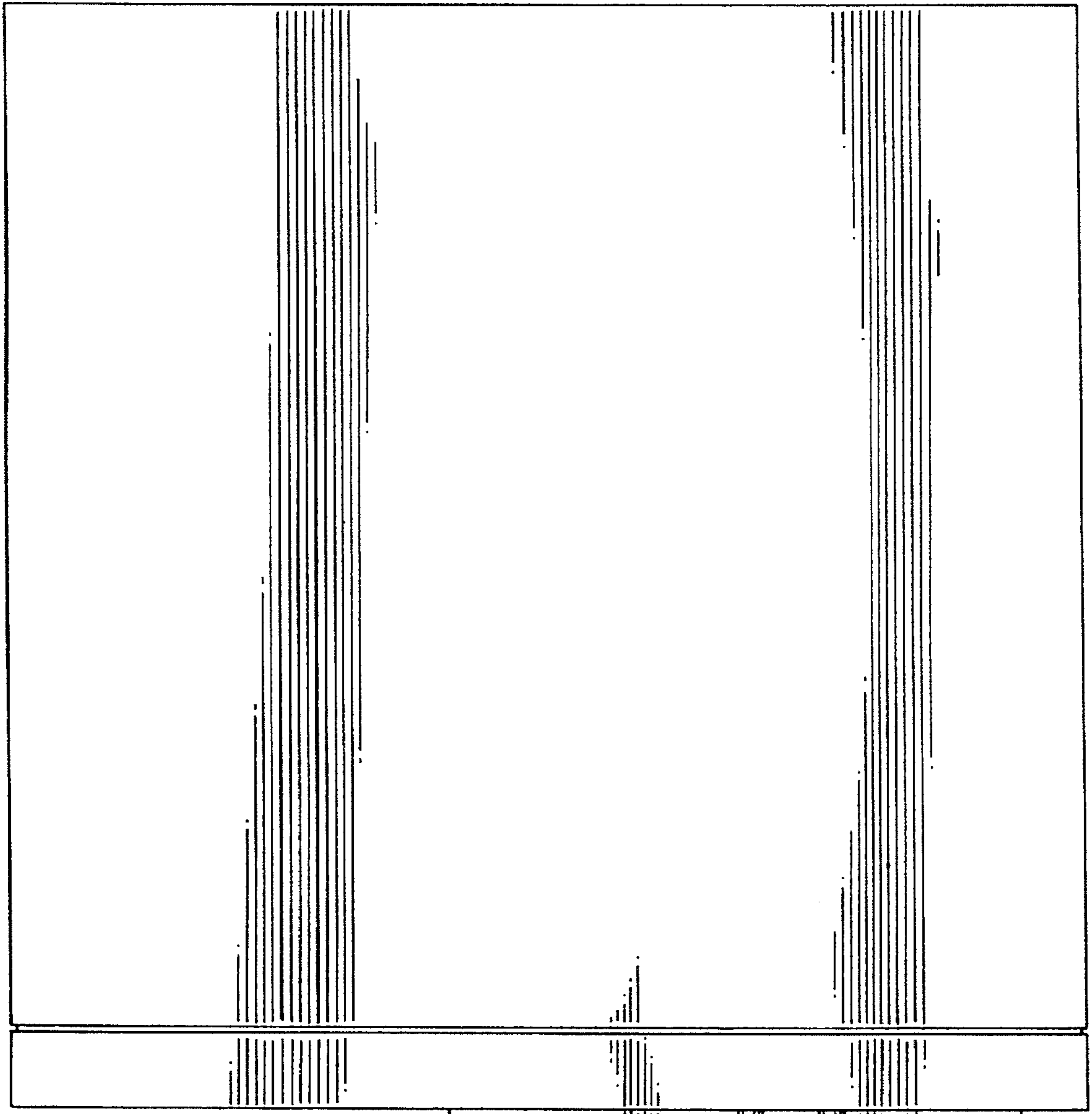


FIG. 4

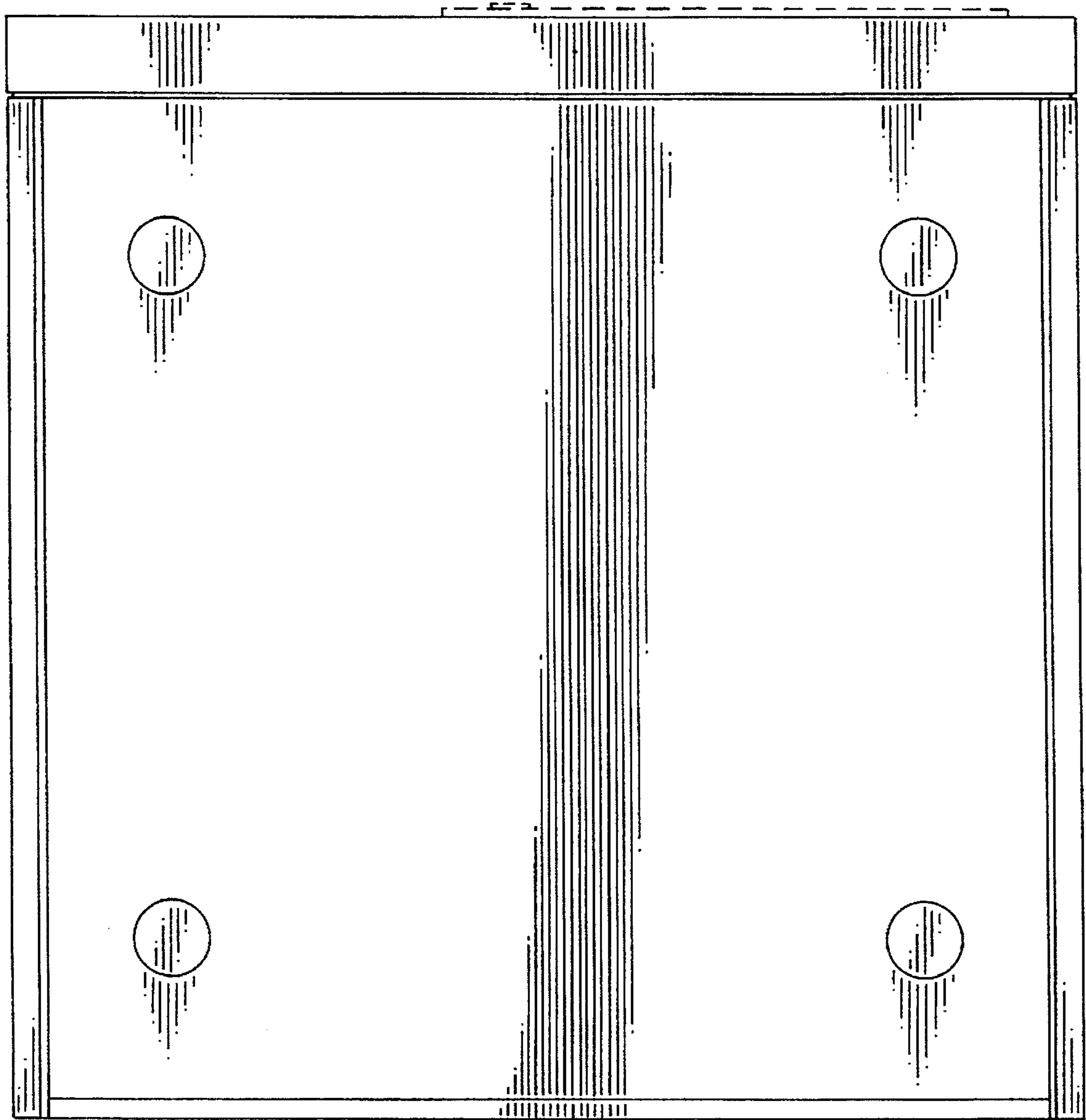


FIG. 5

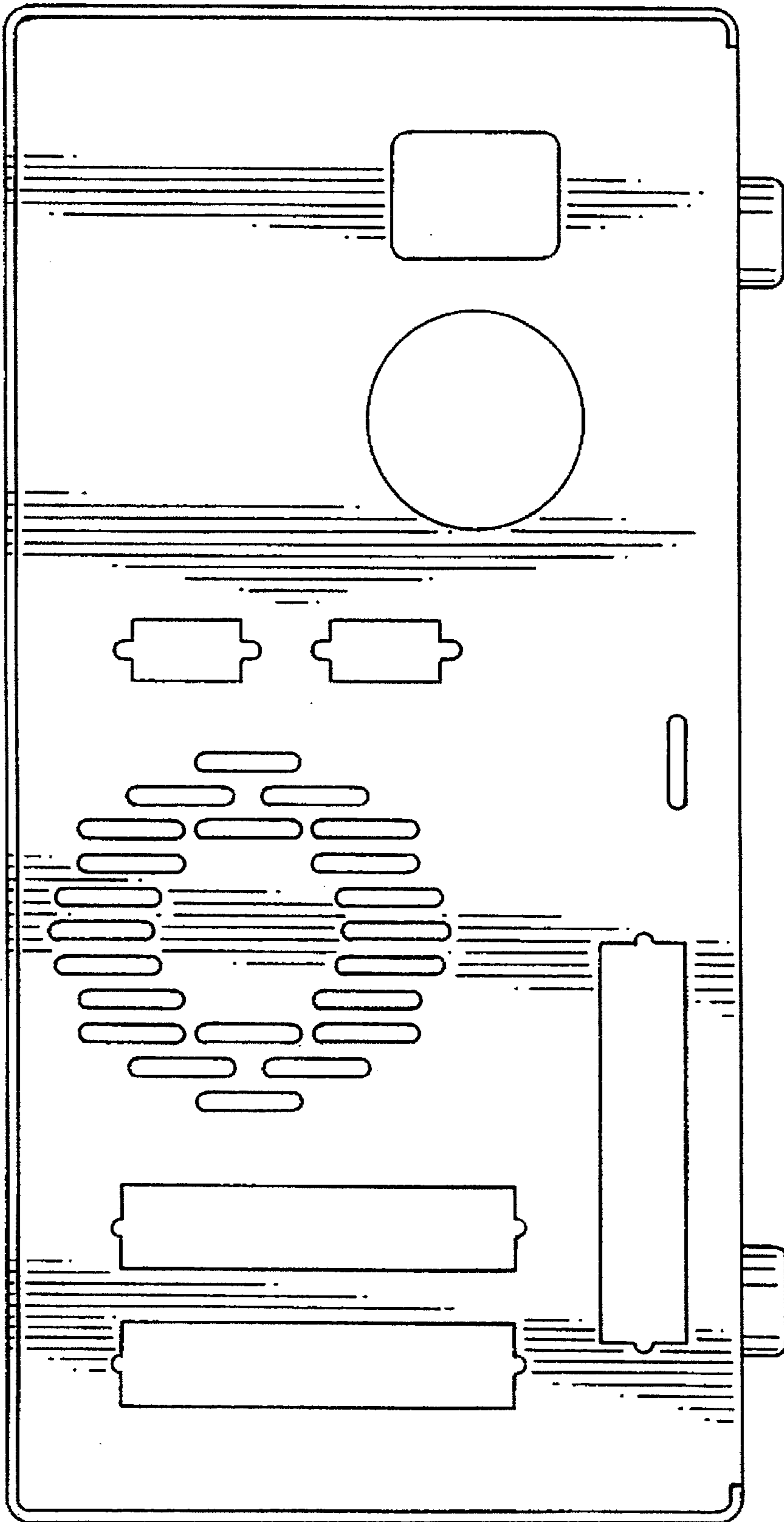


FIG. 6