



US00D380198S

United States Patent [19]

[11] Patent Number: Des. 380,198

Clark et al.

[45] Date of Patent: **Jun. 24, 1997

[54] HOUSING FOR GFCI WITH LOAD CENTER, DISCONNECT, AND TRANSPARENT ACCESS COVER

Primary Examiner—Joel Sincavage
Attorney, Agent, or Firm—Robert N. Schlesinger

[76] Inventors: W. James Clark; David J. Stokes,
both of 1219 S. Bon View Ave.,
Ontario, Calif. 91761

[57] CLAIM

The ornamental design for a housing for GFCI with load center, disconnect, and transparent access cover, as shown and described.

[**] Term: 14 Years

DESCRIPTION

[21] Appl. No.: 36,803

FIG. 1 is a front view of the housing for GFCI with load center, disconnect, and transparent access cover, and showing its centrally located transparent access cover, the opposite view being the rear view, and showing our new design; FIG. 2 is a rear view of the housing; FIG. 3 is a left side view of the housing, the opposite view being the right side view; FIG. 4 is a left side view of the housing with the transparent access cover shown in the open position; FIG. 5 is a right side view of the housing; FIG. 6 is a top view of the housing, the opposite view being the bottom view; FIG. 7 is a bottom view of the housing; FIG. 8 is an exploded left side view of the housing, showing the removal of the front panel of the housing, shown in FIG. 1, supra, the opposite view being a mirror image of the present view; and, FIG. 9 is an interior front view of the housing, with the front panel removed, as shown in FIG. 8, supra.

[22] Filed: Mar. 28, 1995

[51] LOC (6) Cl. 13-03

[52] U.S. Cl. D13/160

[58] Field of Search D13/152, 160,
D13/184; 174/48, 50, 67; 361/601, 641,
658, 676; 220/3.8

[56] References Cited

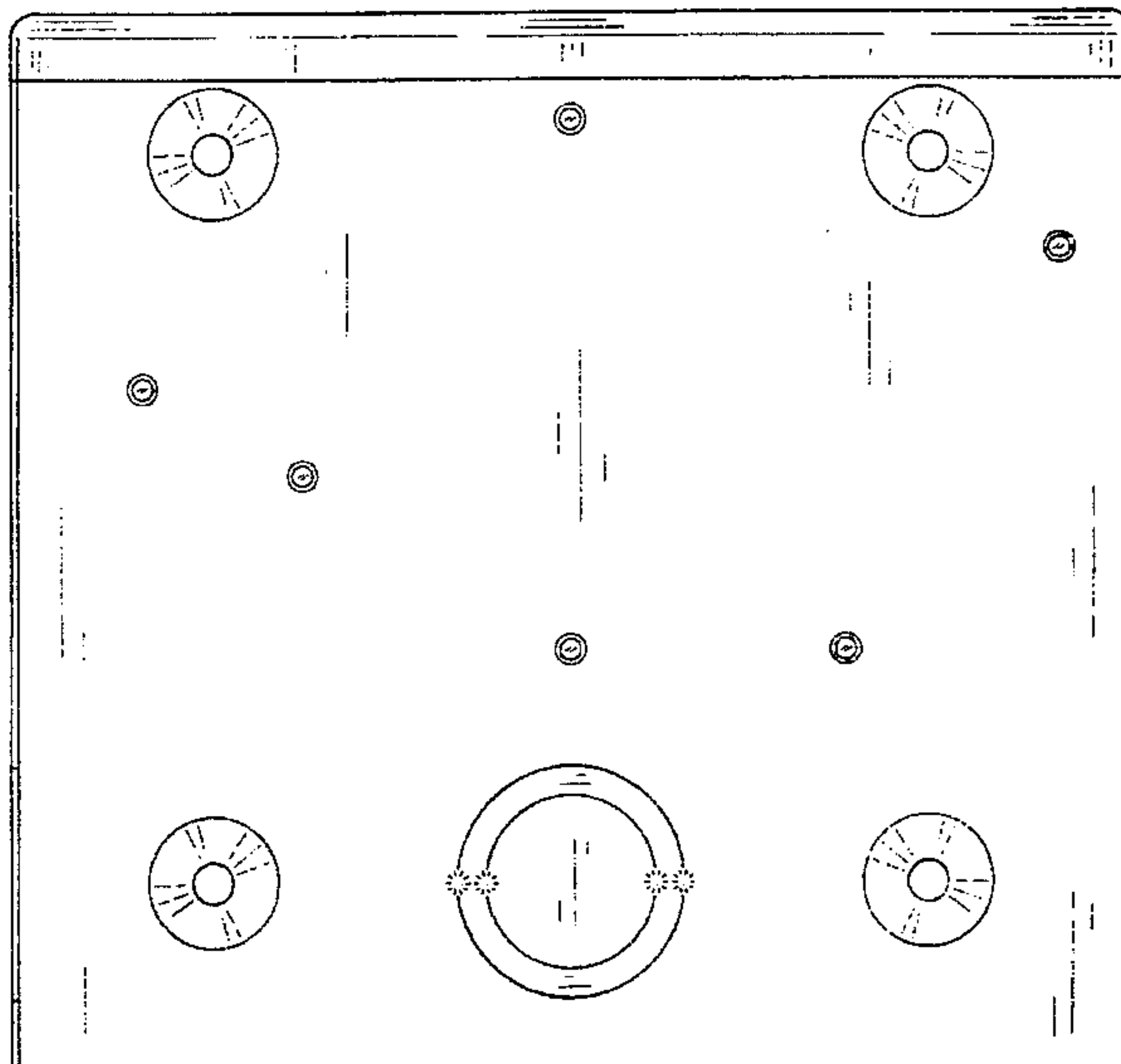
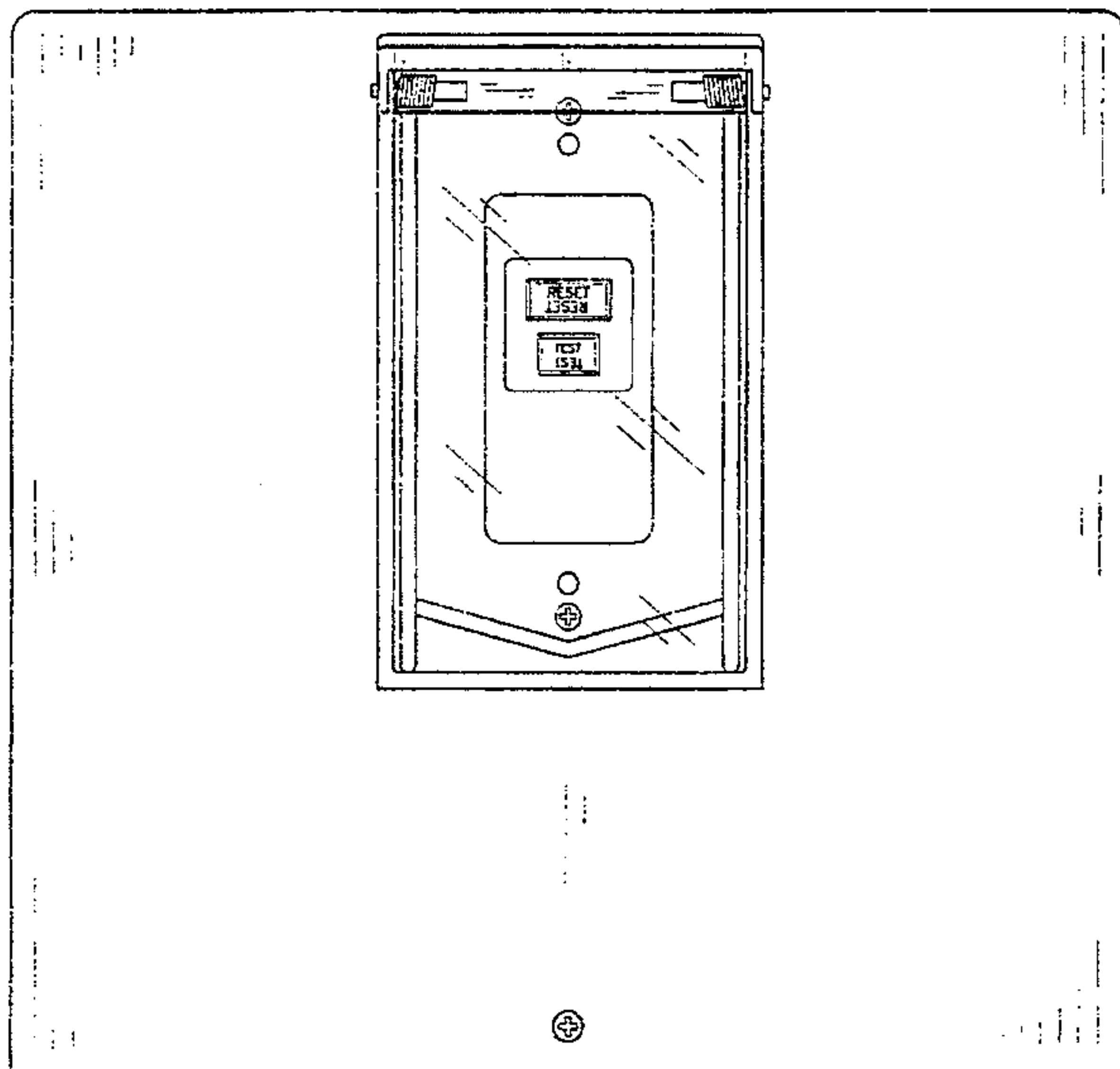
U.S. PATENT DOCUMENTS

D. 346,792	5/1994	Tessmer	D13/184
1,884,000	10/1932	Lewis	361/641 X
3,136,442	6/1964	Massey	220/3.8
3,895,179	7/1975	Wyatt	174/50
3,945,530	3/1976	Bozich	220/3.8 X
4,122,972	10/1978	Bozich	220/3.8 X
5,148,348	9/1992	White	174/67 X
5,378,058	1/1995	Tessmer	361/641 X

FOREIGN PATENT DOCUMENTS

406113424	4/1994	Japan	174/67
-----------	--------	-------	-------	--------

1 Claim, 9 Drawing Sheets



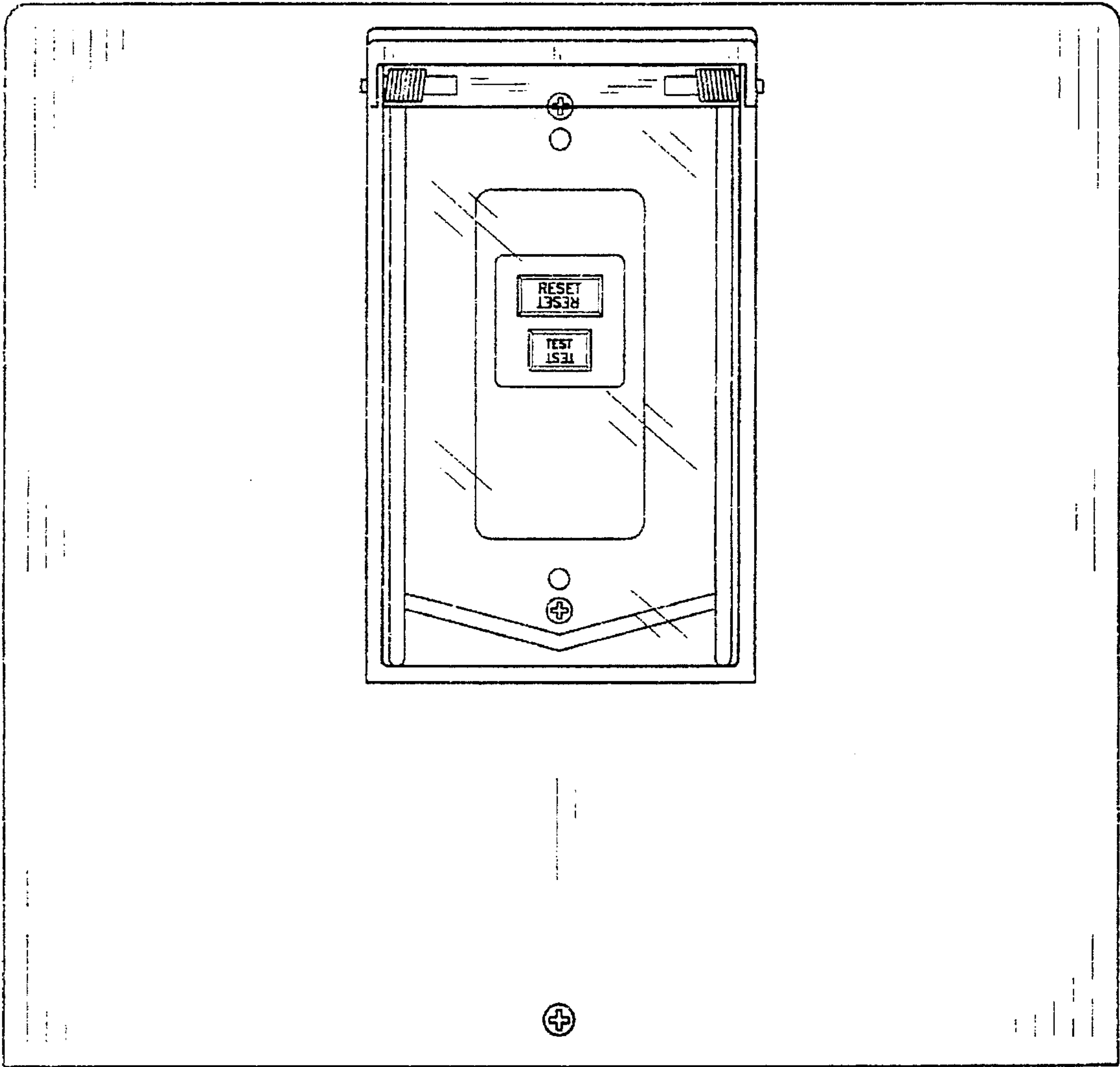


FIG. 1

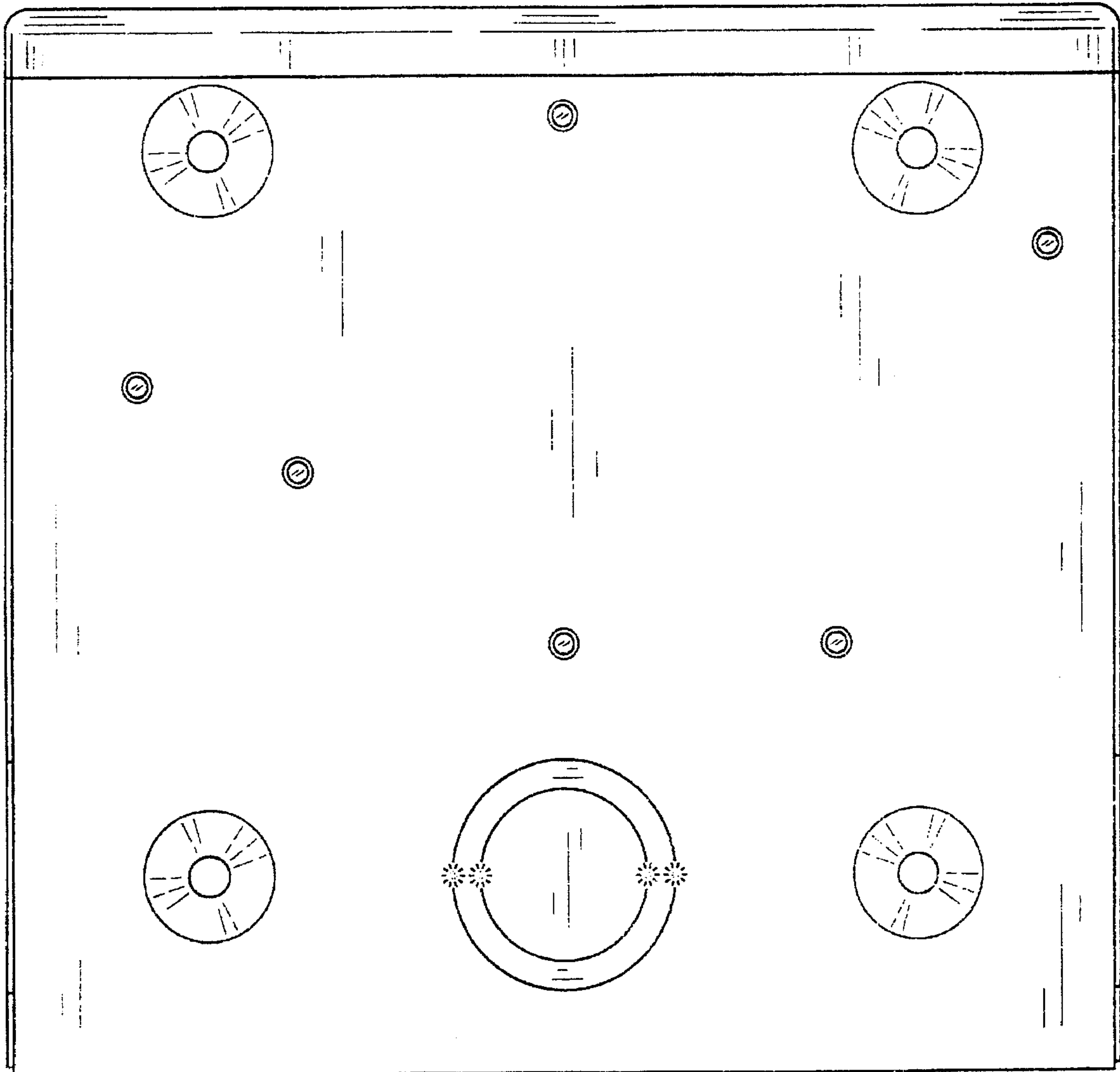


FIG. 2

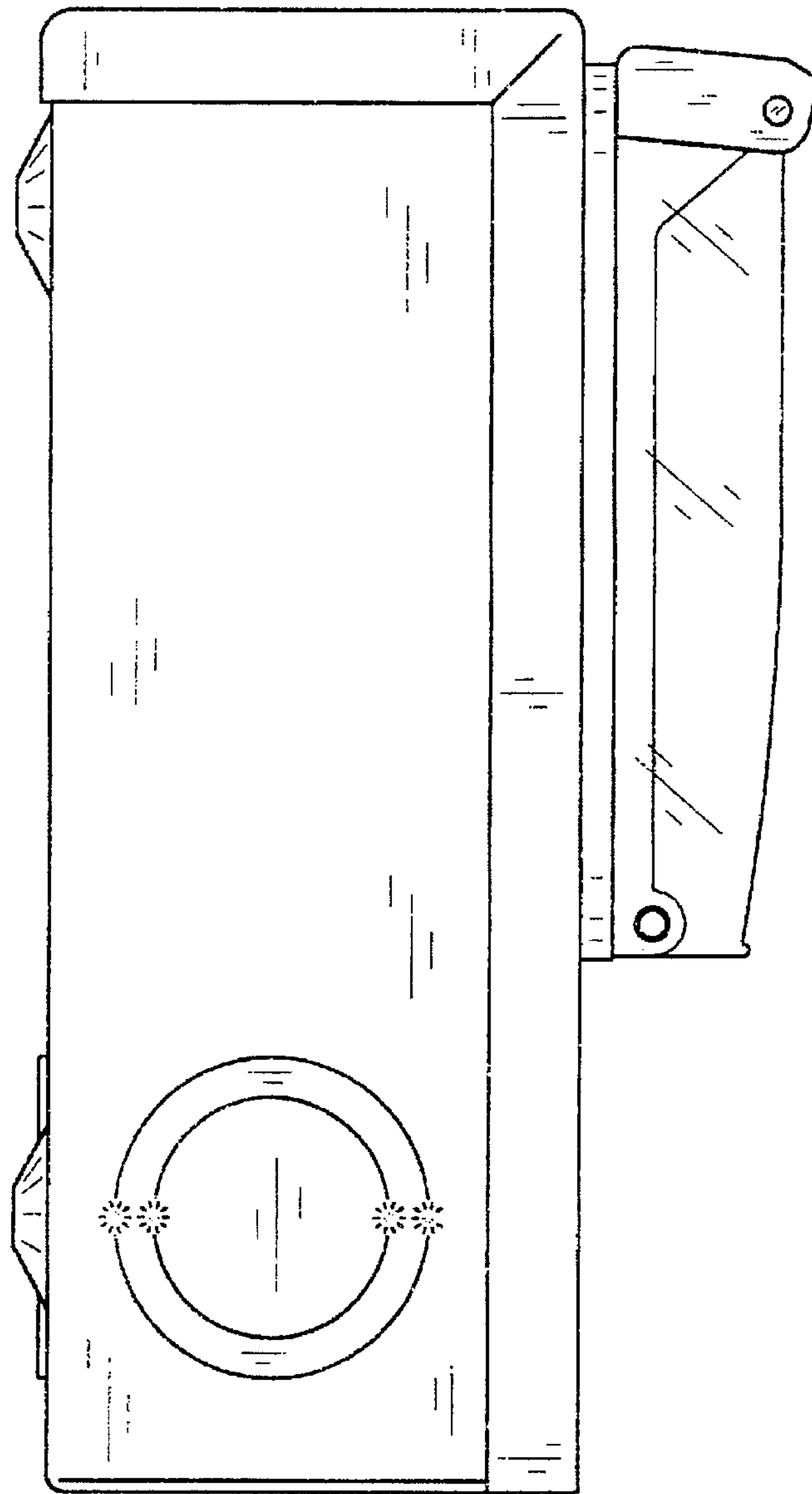


FIG. 3

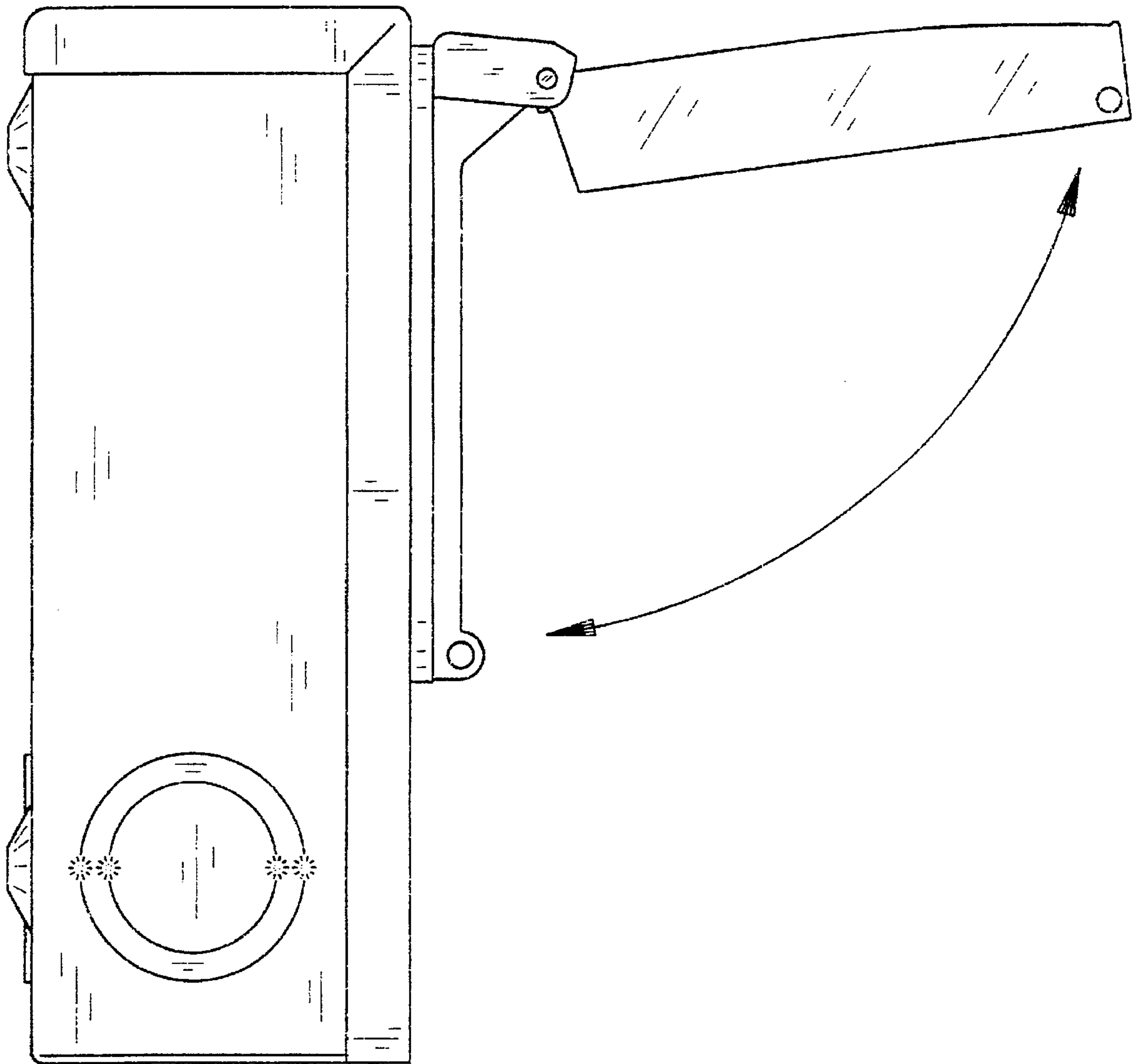


FIG. 4

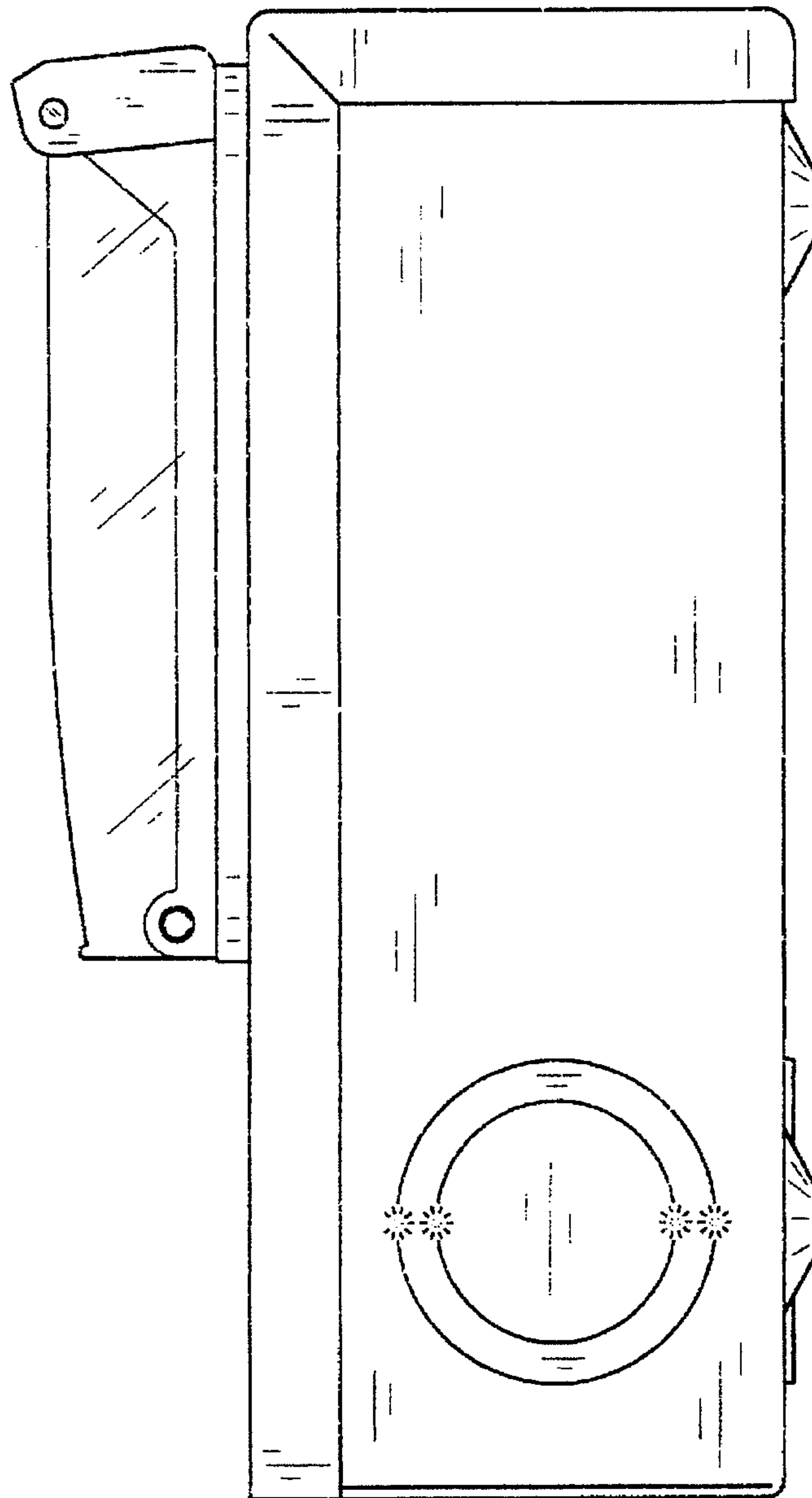


FIG. 5

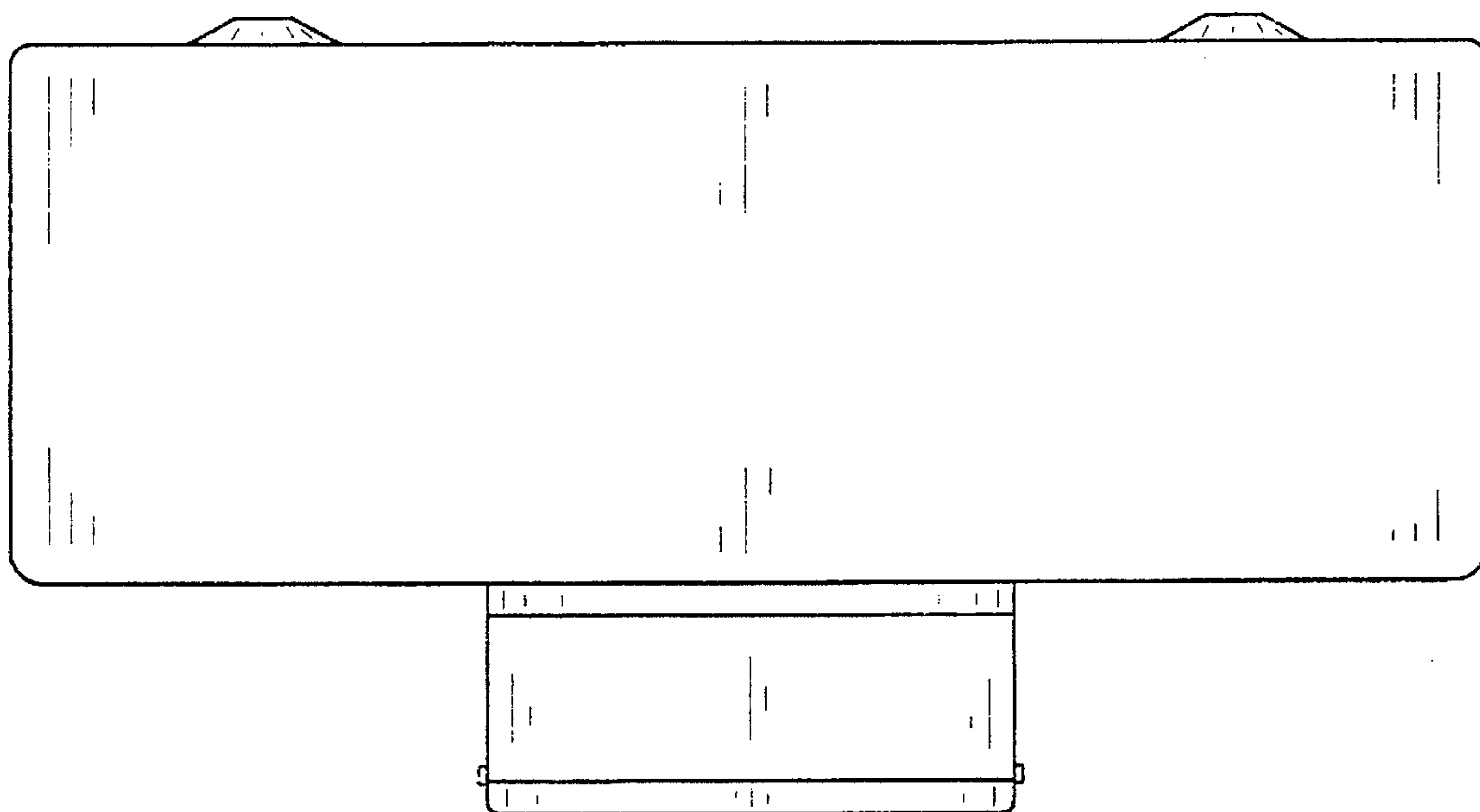


FIG. 6

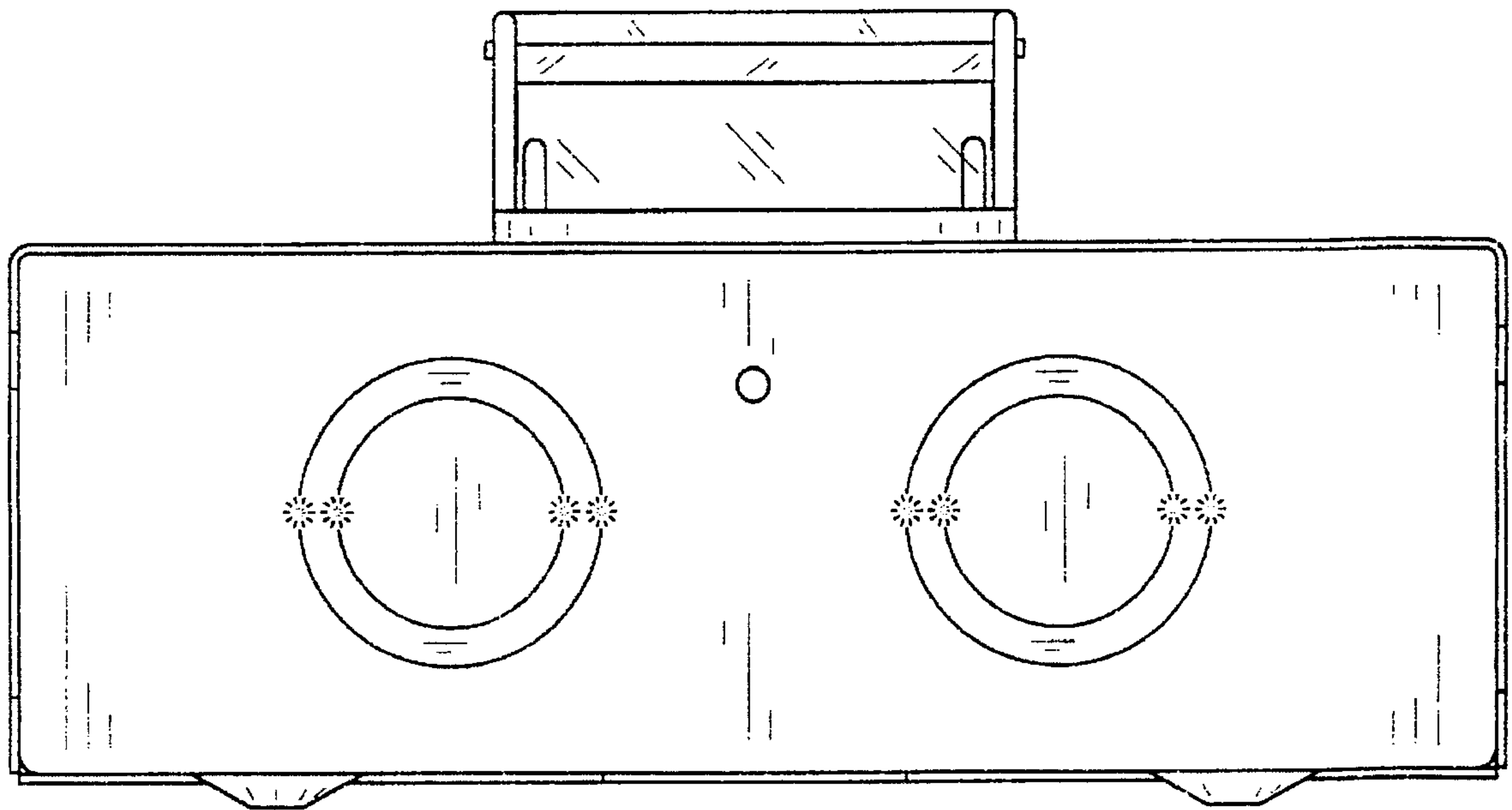


FIG. 7

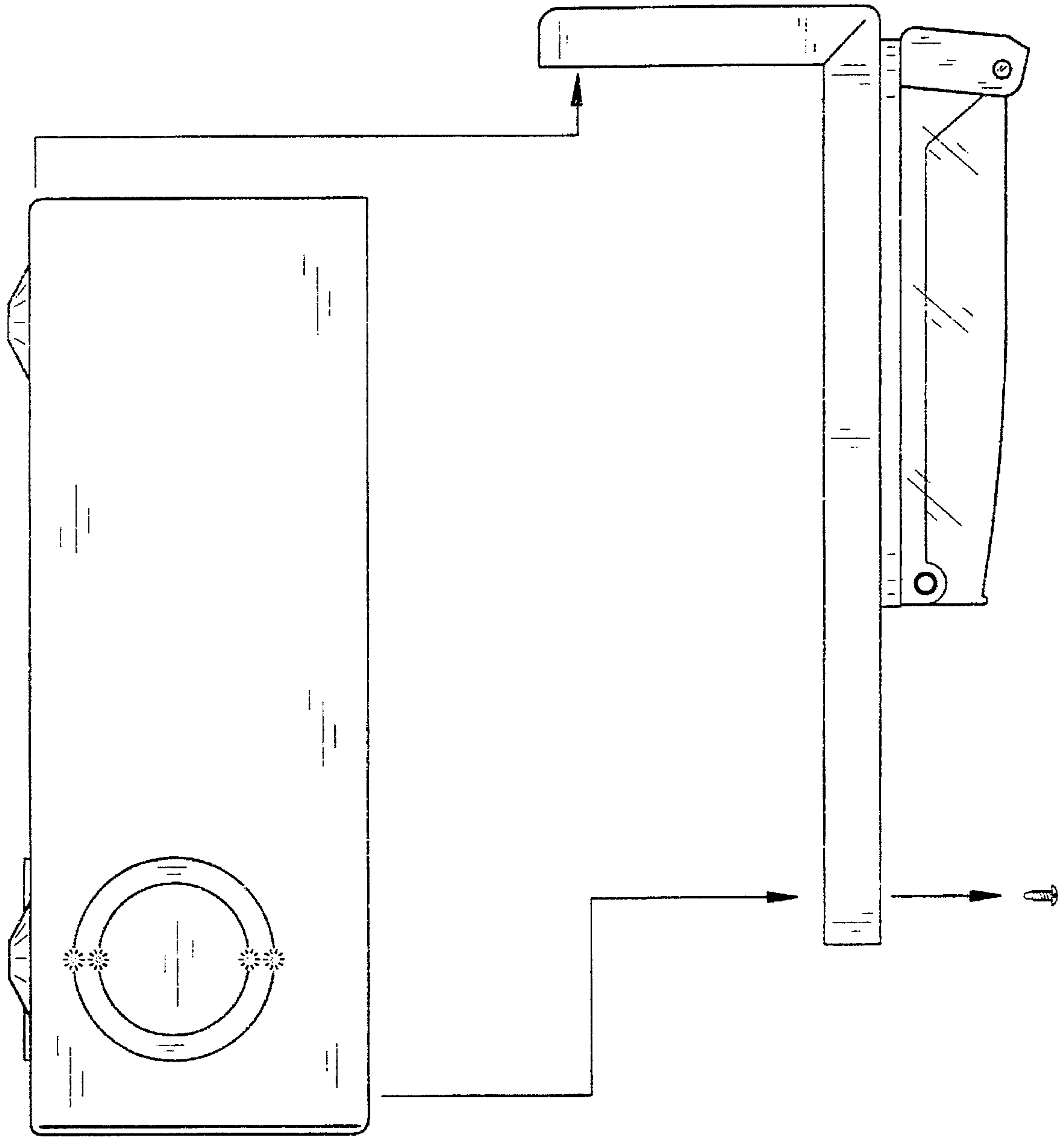


FIG. 8

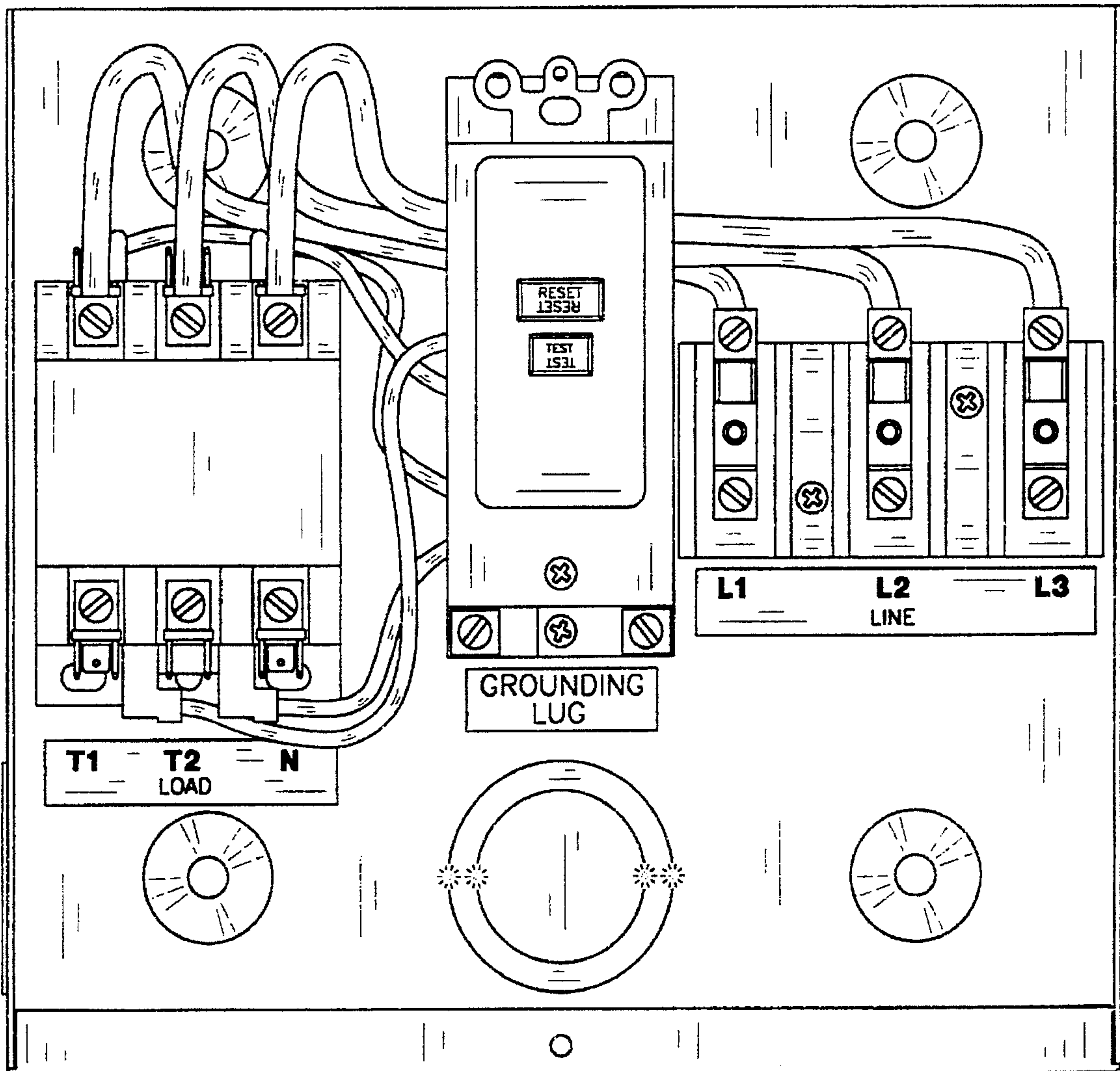


FIG. 9