



US00D380197S

United States Patent [19]

[11] Patent Number: **Des. 380,197**

Garcia et al.

[45] Date of Patent: ****Jun. 24, 1997**

[54] CABLE CONNECTOR

[75] Inventors: **David Garcia**, East Freetown, Mass.;
James C. Dollins, Bristol, R.I.

[73] Assignee: **AFC Cable Systems, Inc.**, New Bedford, Mass.

[**] Term: **14 Years**

[21] Appl. No.: **49,758**

[22] Filed: **Jan. 30, 1996**

2,535,658	6/1950	Strom	285/6.5
2,552,149	5/1951	Clark et al.	D13/149 X
2,749,148	6/1956	Schneiderman	285/121
2,973,212	2/1961	Rose	D13/149 X
3,321,219	5/1967	Sebo	285/161
3,454,291	7/1969	Goldsobel et al.	285/371
3,836,941	9/1974	Izraeli	339/95
4,611,876	9/1986	Barrabes	339/263
4,629,281	12/1986	Kruger	339/272
4,641,863	2/1987	Shemtov	285/206 X
4,929,198	5/1990	Strate et al.	439/709
4,995,647	2/1991	Carey	285/161
5,165,735	11/1992	Nardi et al.	285/369

Related U.S. Application Data

[63] Continuation of Ser. No. 30,479, Oct. 31, 1994, abandoned, which is a continuation-in-part of Ser. No. 23,254, May 20, 1994, abandoned.

[51] LOC (6) Cl. **13-03**

[52] U.S. Cl. **D13/152**

[58] Field of Search D13/133, 152,
D13/155; 174/59, 64, 65 R; 285/90, 155,
158, 159, 161, 162, 194, 195, 197, 206,
322, 907; 403/197

[56] References Cited

U.S. PATENT DOCUMENTS

D. 187,594	4/1960	Stover	D13/152
D. 187,792	5/1960	Stover	D13/152
D. 188,377	7/1960	Martin	26/5
D. 243,404	2/1977	Mooney et al.	D13/13
D. 243,405	2/1977	Mooney et al.	D13/149
D. 243,406	2/1977	Mooney et al.	D13/13
D. 243,407	2/1977	Mooney et al.	D13/13
D. 336,282	6/1993	Guginsky	D13/13
D. 339,793	9/1993	Nardi et al.	D13/149
1,134,565	4/1915	Vibber	285/158
2,086,710	7/1937	Foetsch	173/263
2,481,303	9/1949	Frank et al.	285/159
2,485,676	7/1949	Thomas, Jr.	285/6.5
2,487,912	11/1949	Wellman	285/159
2,490,286	12/1949	Tomblom	285/159

FOREIGN PATENT DOCUMENTS

496659	10/1953	Canada	439/814
2457-021	1/1981	France	439/814

OTHER PUBLICATIONS

ETP Suggested Retail Net Price Schedule, Electrical Products Group, Berger Industries, Inc., Maspeth, New York, May 26, 1977.

ETP Catalog No. 391, Berger Industries, Inc., Maspeth, New York, 1991.

Primary Examiner—Joel Sincavage

Attorney, Agent, or Firm—Fish & Richardson P.C.

[57] CLAIM

The ornamental design for a cable connector, as shown and described.

DESCRIPTION

FIG. 1 is a view as seen from the rear and upper right of a cable connector;

FIG. 2 is a rear end elevational view thereof;

FIG. 3 is a front end elevational view thereof;

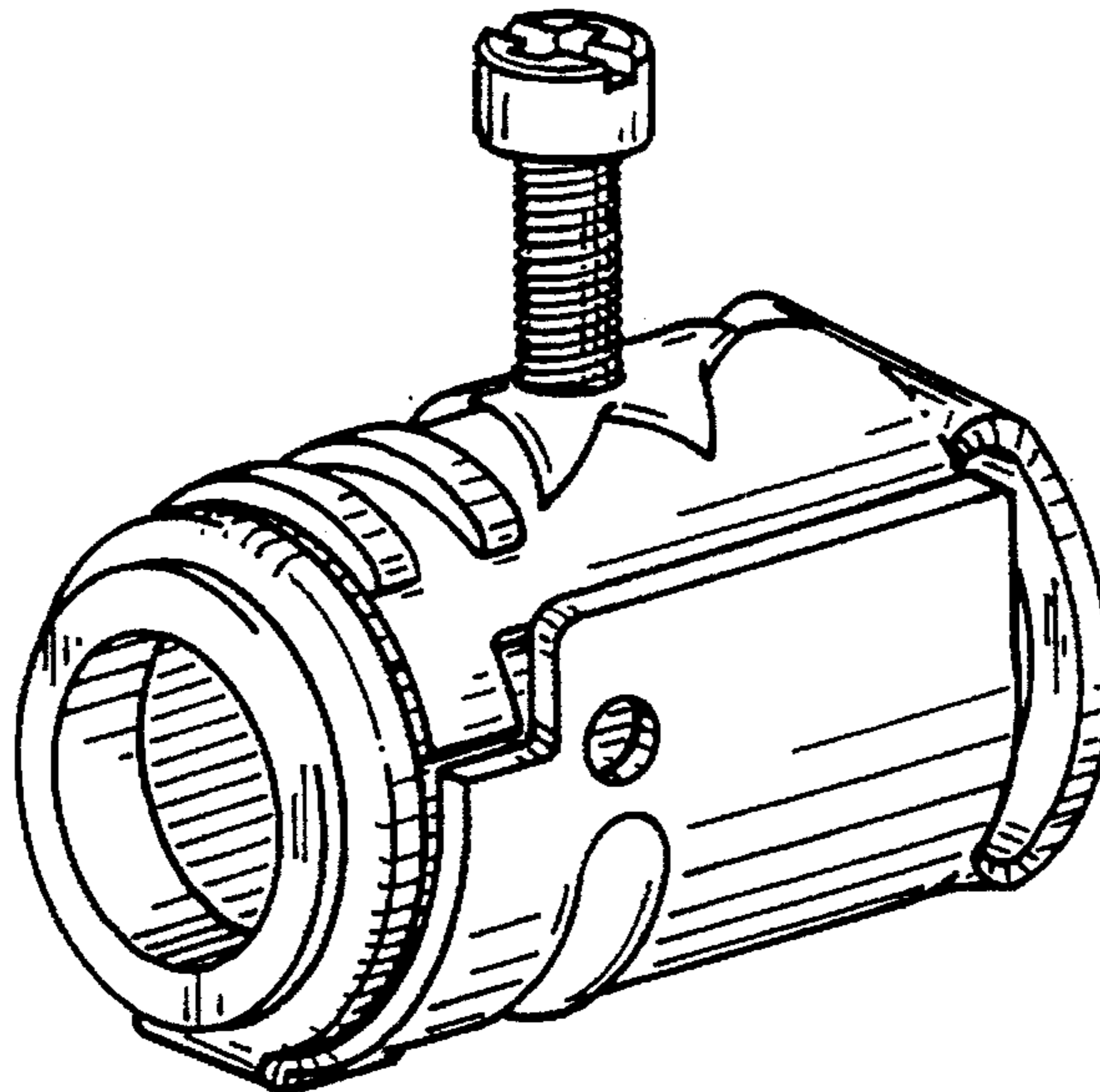
FIG. 4 is a left side elevational view thereof;

FIG. 5 is a right side elevational view thereof;

FIG. 6 is a bottom plan view thereof; and,

FIG. 7 is a top plan view thereof.

1 Claim, 2 Drawing Sheets



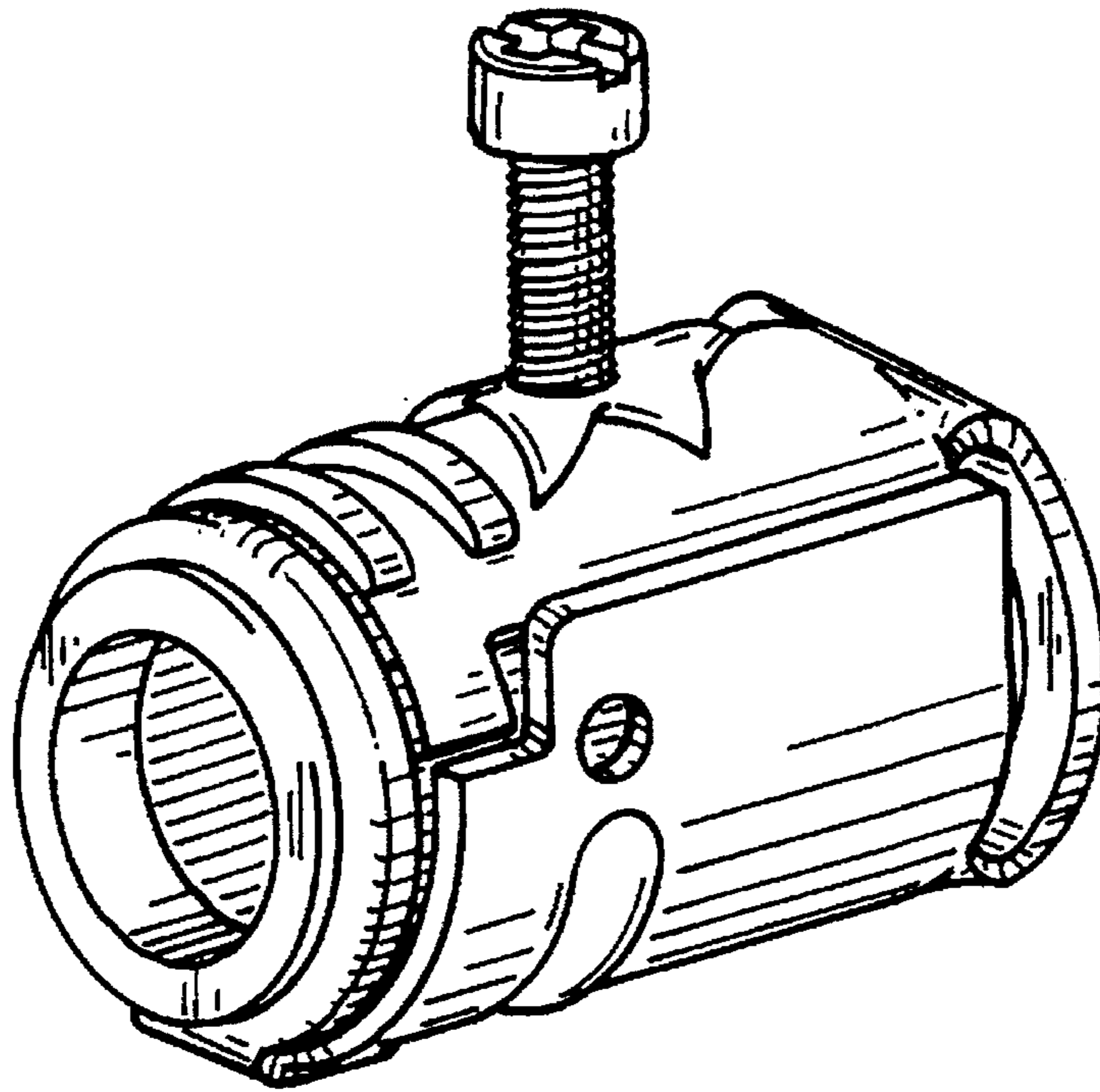


FIG. 1

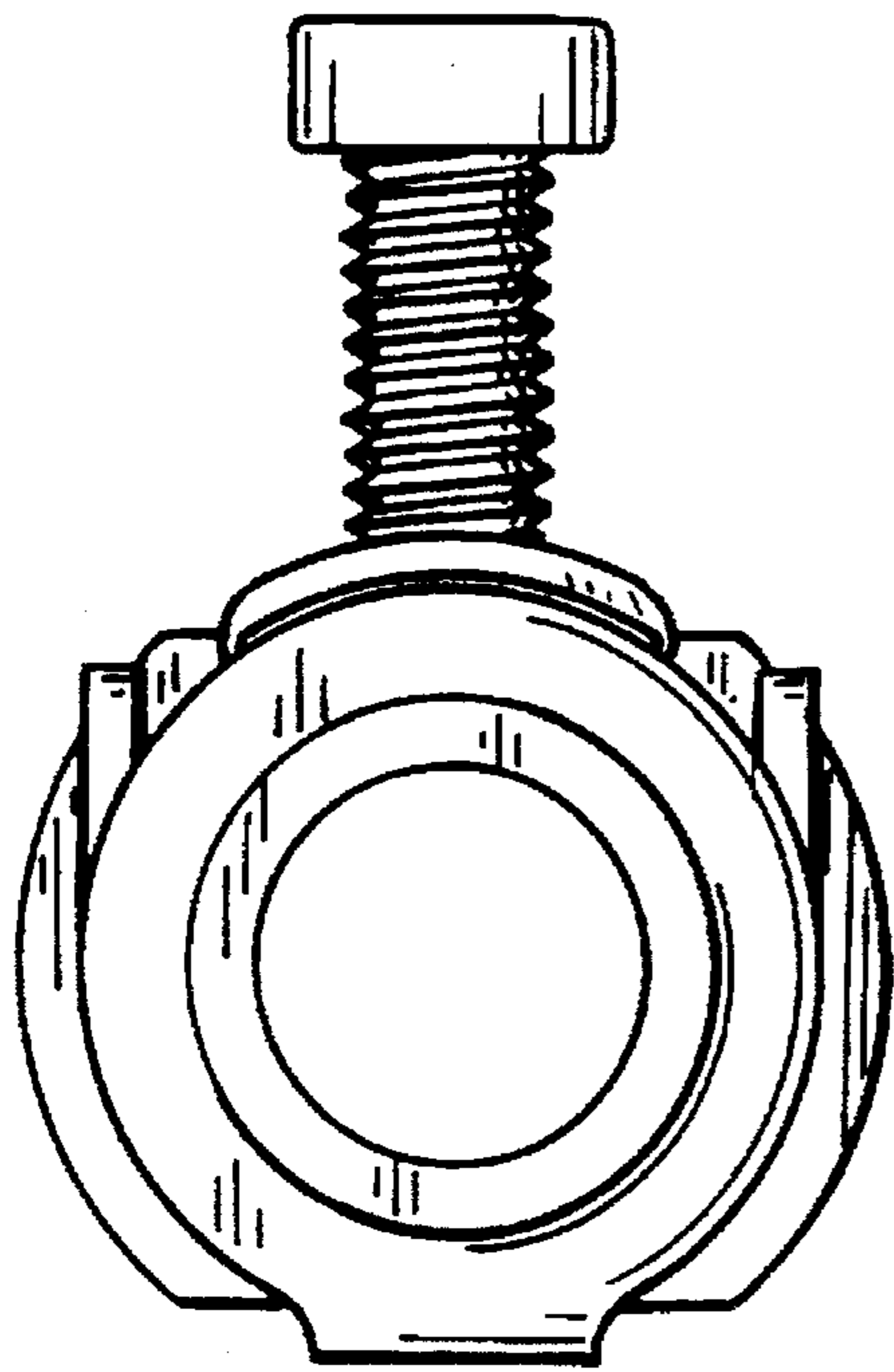


FIG. 2

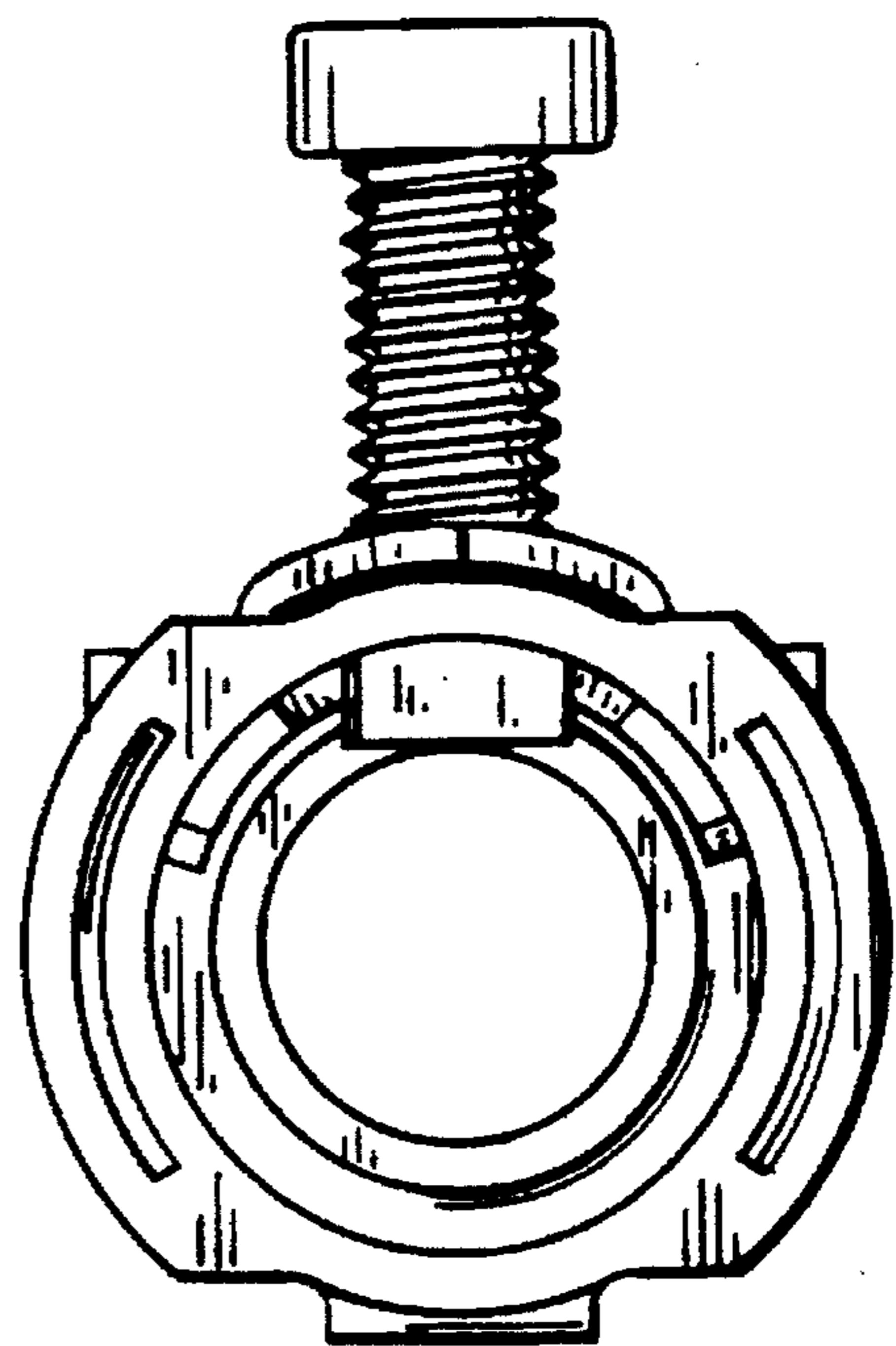


FIG. 3

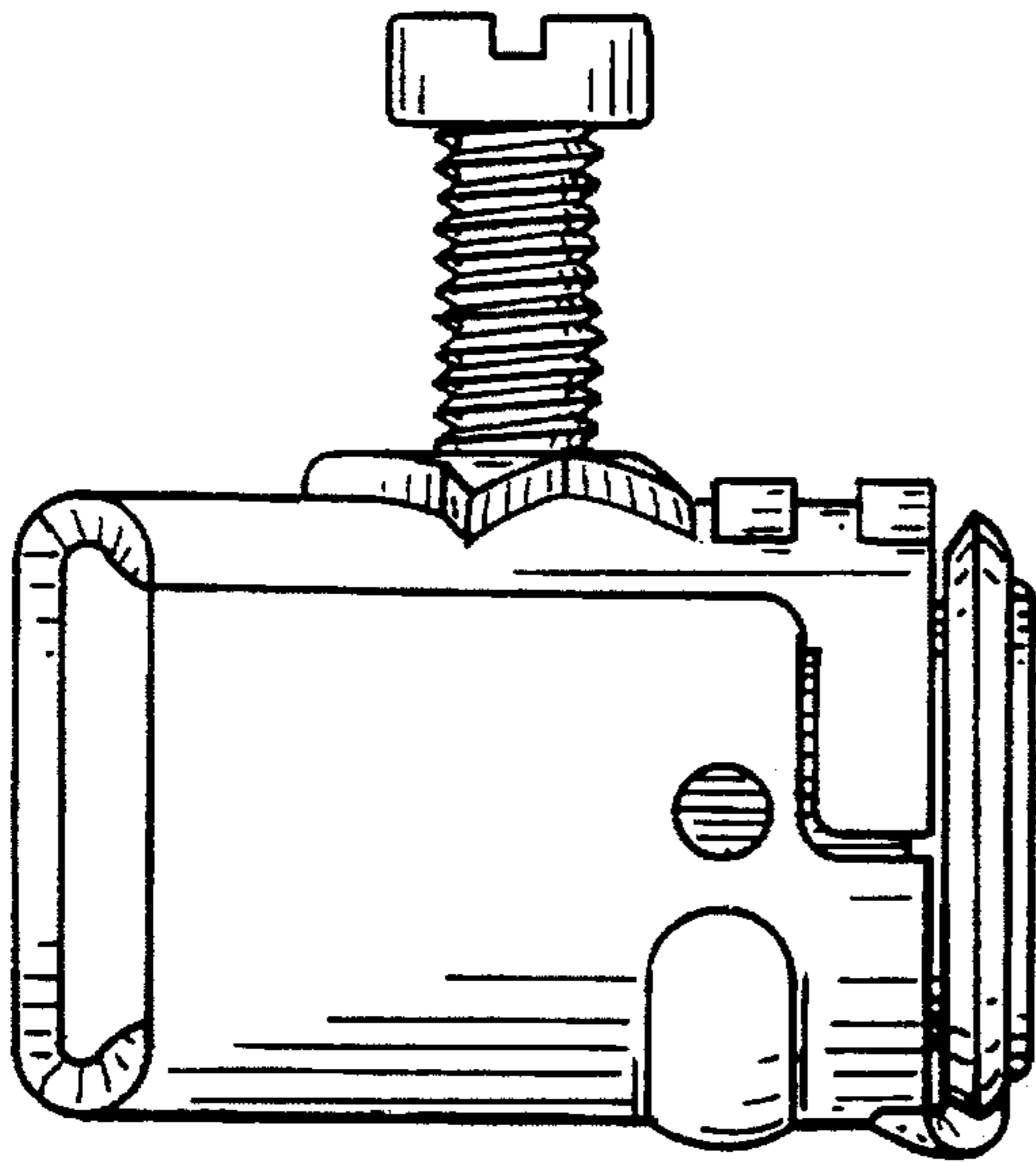


FIG. 4

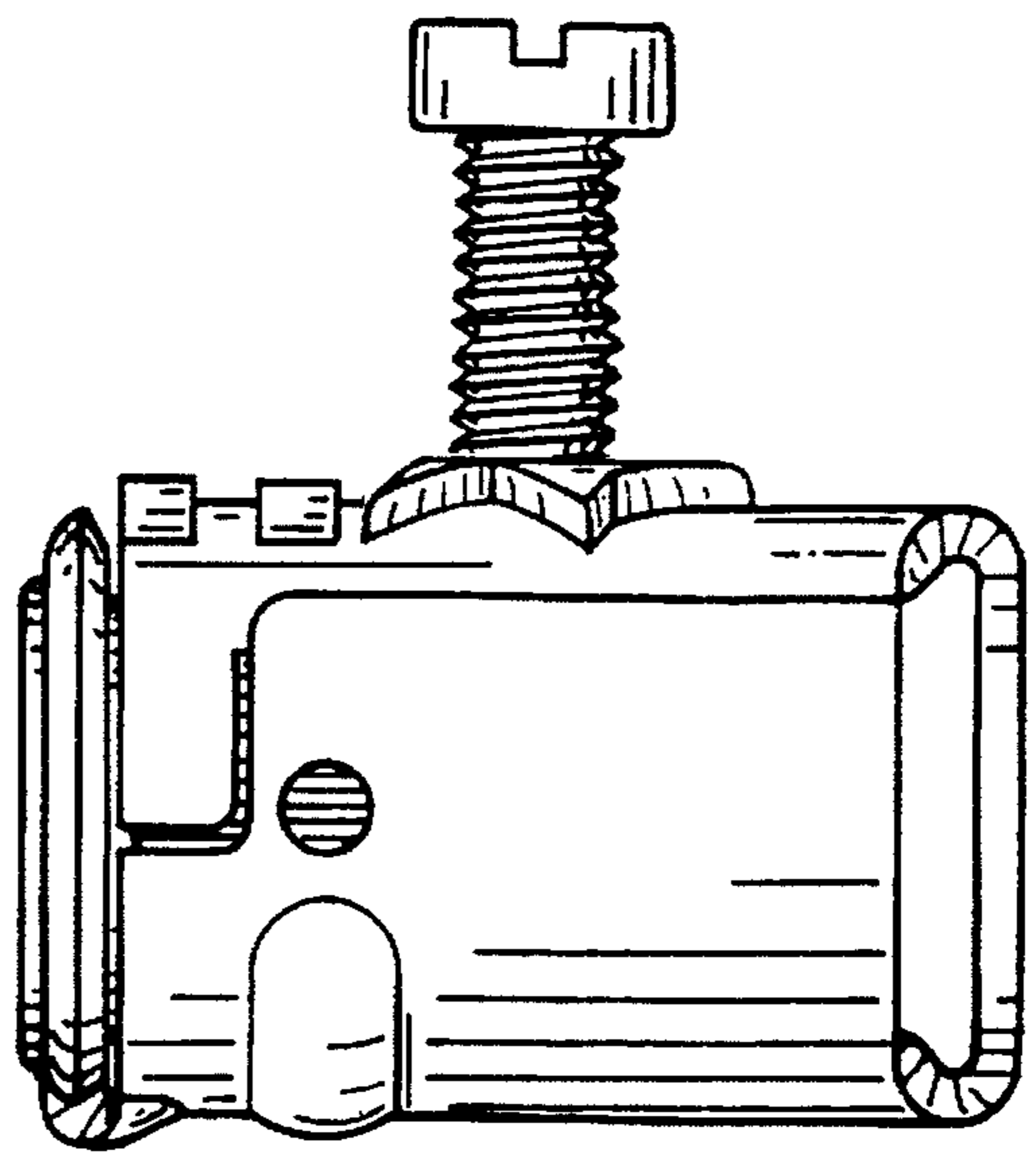


FIG. 5

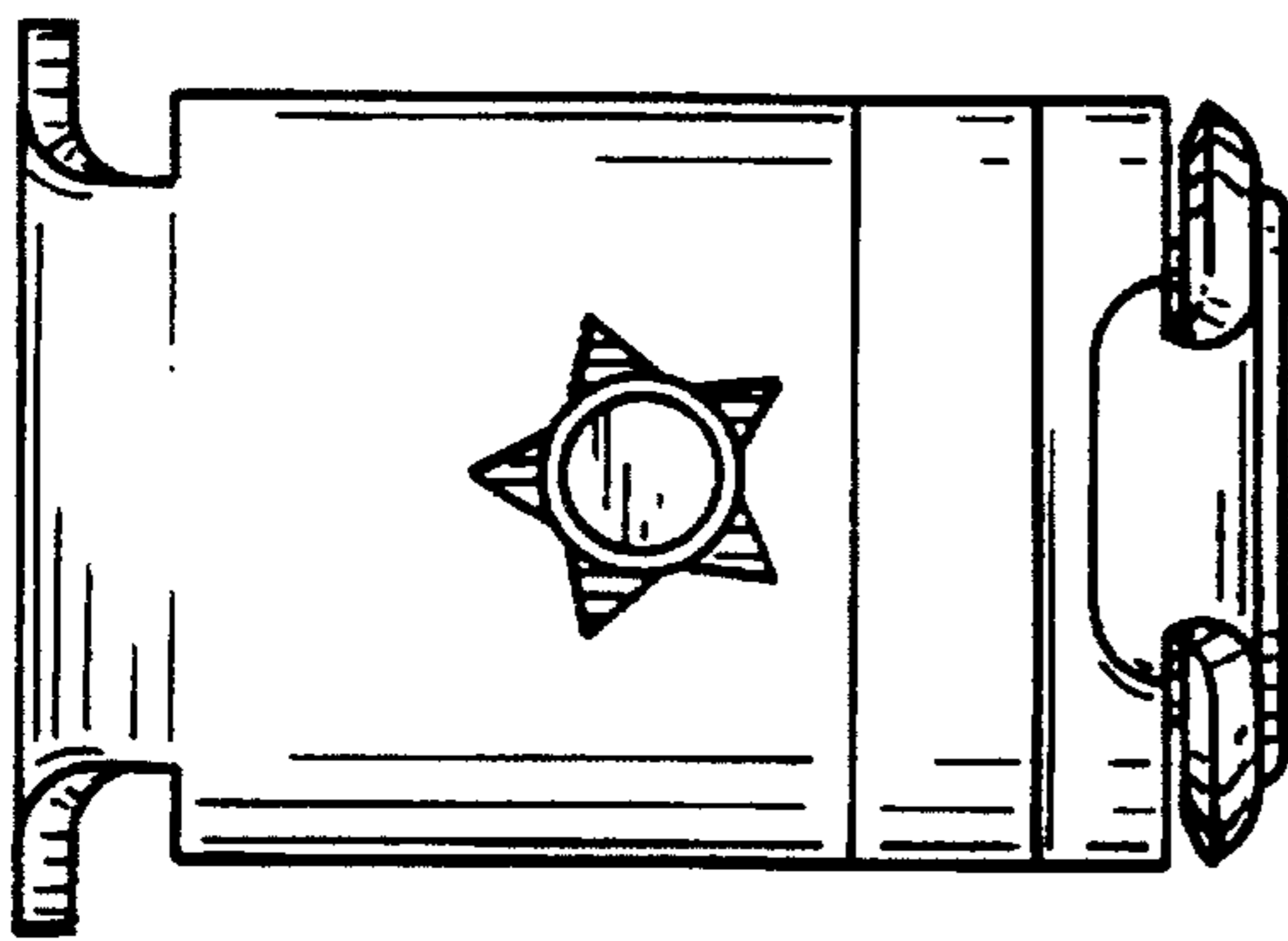


FIG. 6

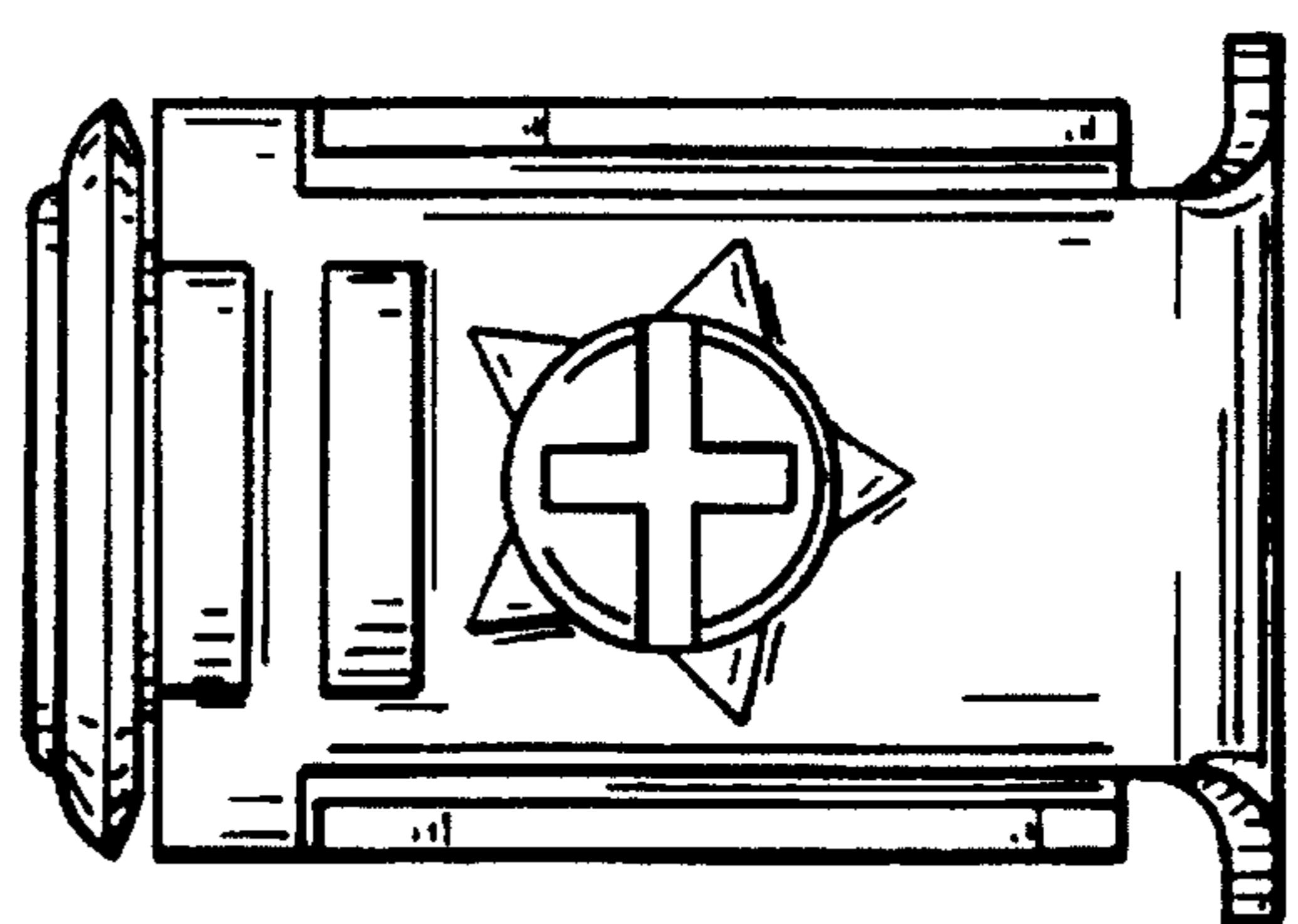


FIG. 7