



US00D380191S

United States Patent [19]
White

[11] **Patent Number: Des. 380,191**

[45] **Date of Patent: **Jun. 24, 1997**

[54] **SOLAR PANEL**

4,099,517 7/1978 McRae 126/704
4,112,918 9/1978 Palkes 126/704 X
4,315,498 2/1982 Devin et al. 126/704 X

[75] **Inventor: Richard P. White, Ventura, Calif.**

[73] **Assignee: Building Industries Solar, Thousand Oaks, Calif.**

Primary Examiner—Antoine Duval Davis
Attorney, Agent, or Firm—Elliott N. Kramsky

[**] **Term: 14 Years**

[57] **CLAIM**

[21] **Appl. No.: 40,933**

The ornamental design for a solar panel, as shown and described.

[22] **Filed: Jun. 28, 1995**

DESCRIPTION

[51] **LOC (6) Cl. 13-02**

[52] **U.S. Cl. D13/102**

[58] **Field of Search** D13/102; 126/621,
126/704, 705, 706, 707, 708; 156/244-256,
291, 292; 250/203.4, 239, 548; 362/183

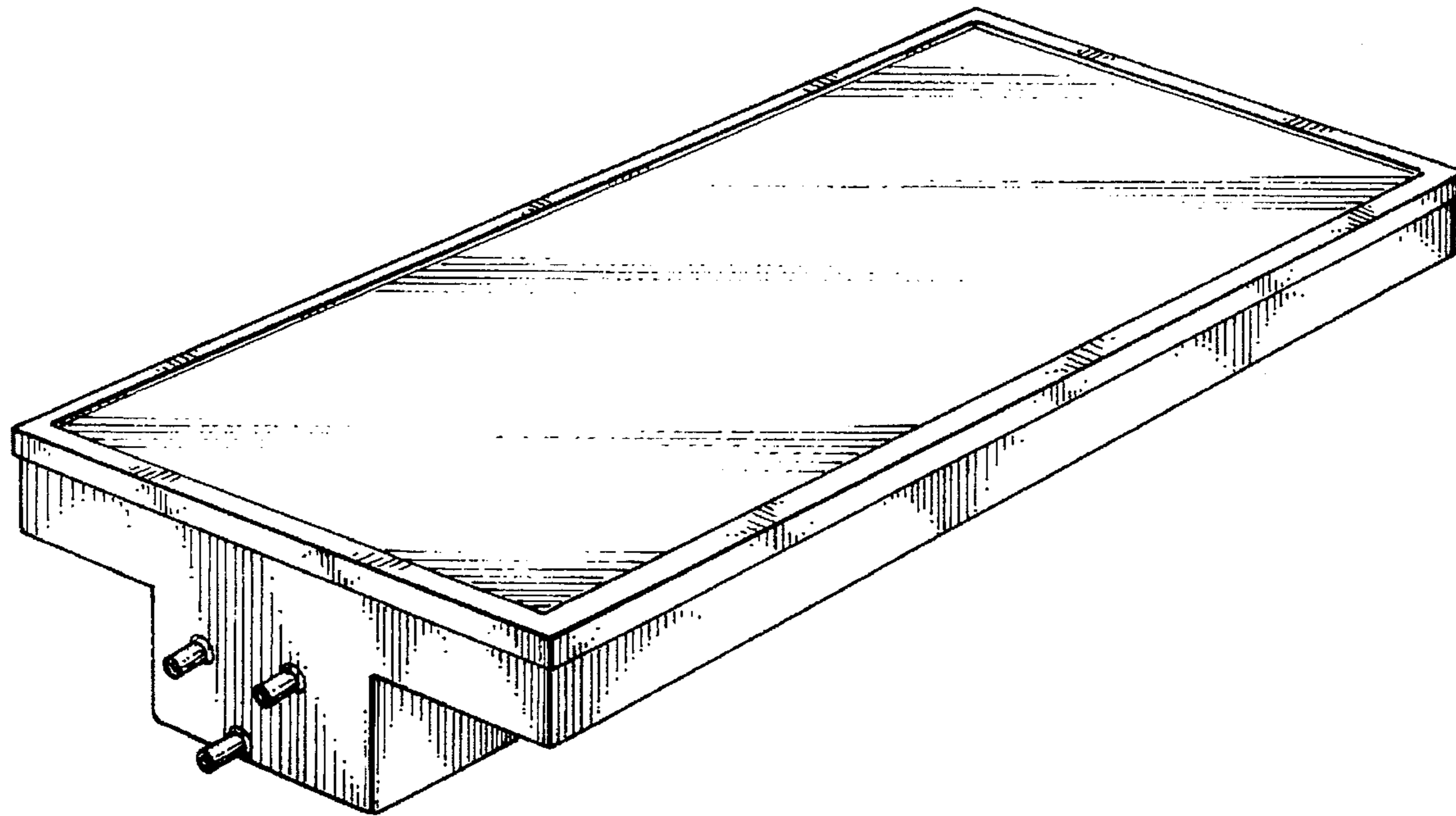
FIG. 1 is a perspective view of the solar panel showing the top and right sides of my new design;
FIG. 2 is a top plan view of the solar panel;
FIG. 3 is a left side view of the solar panel, the right side being a mirror image thereof;
FIG. 4 is a bottom plan view of the solar panel;
FIG. 5 is a front elevation view of the solar panel; and,
FIG. 6 is a rear elevation view of the solar panel.

[56] **References Cited**

U.S. PATENT DOCUMENTS

4,023,034 5/1977 Schacht 250/239 X

1 Claim, 2 Drawing Sheets



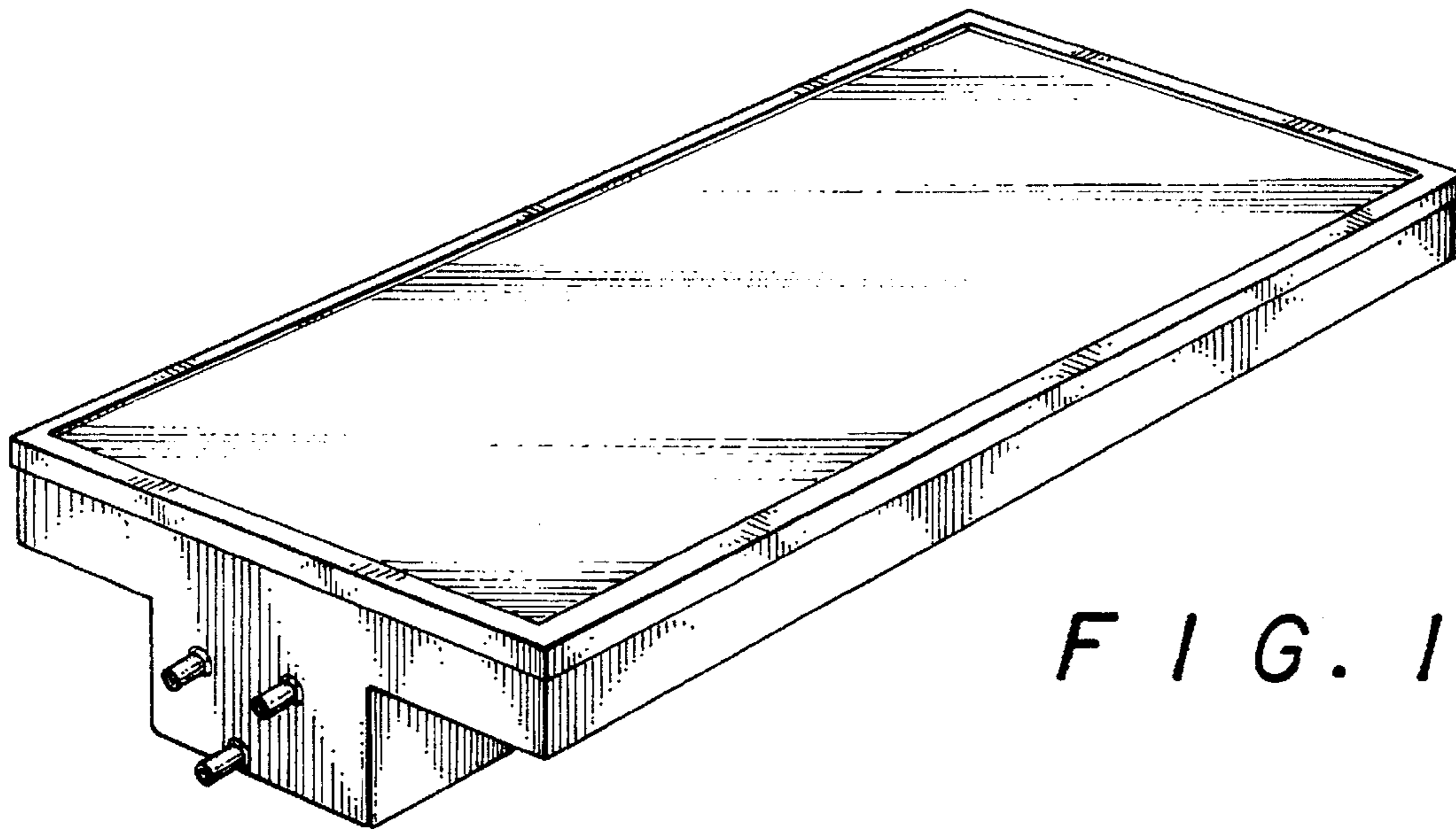


FIG. 1

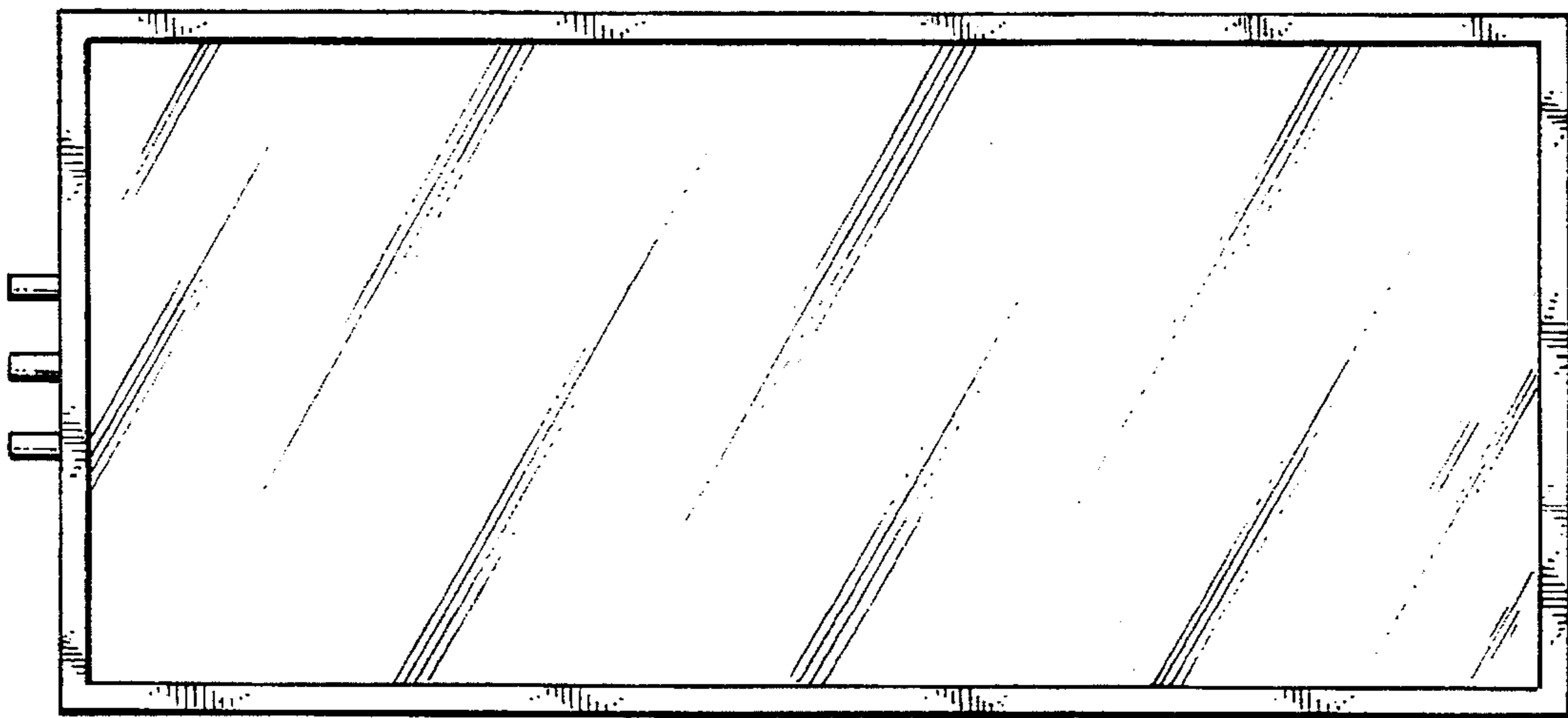


FIG. 2

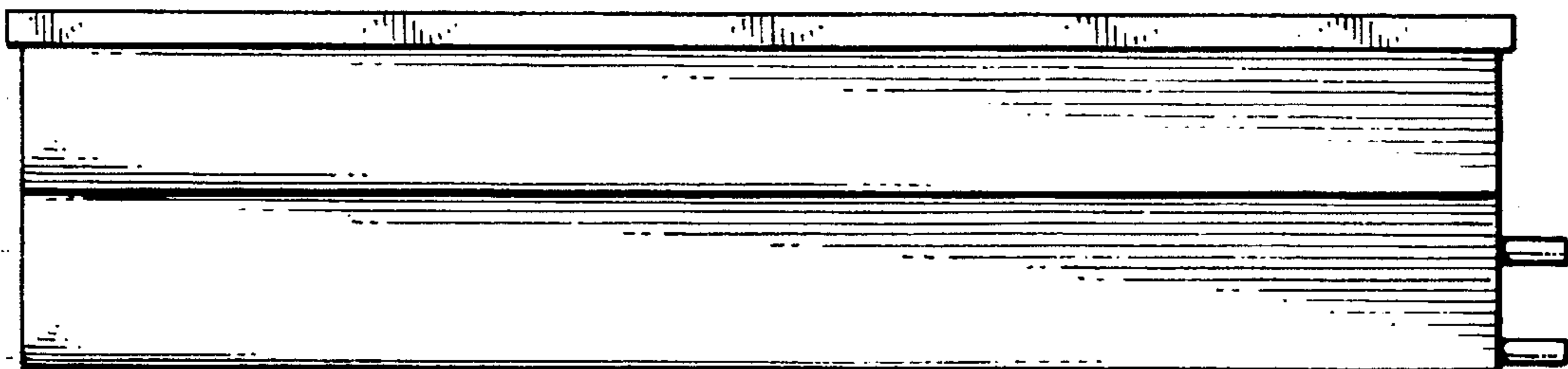


FIG. 3

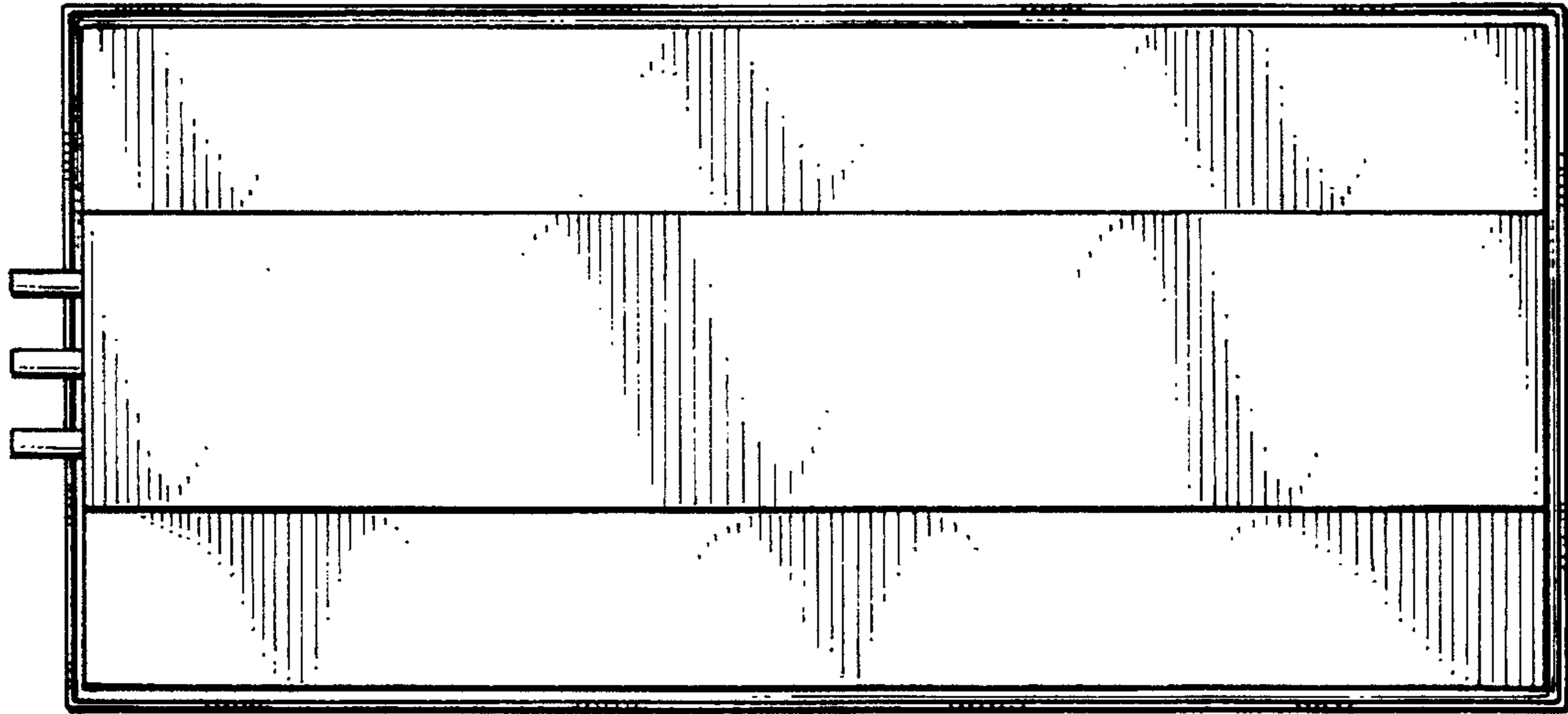


FIG. 4

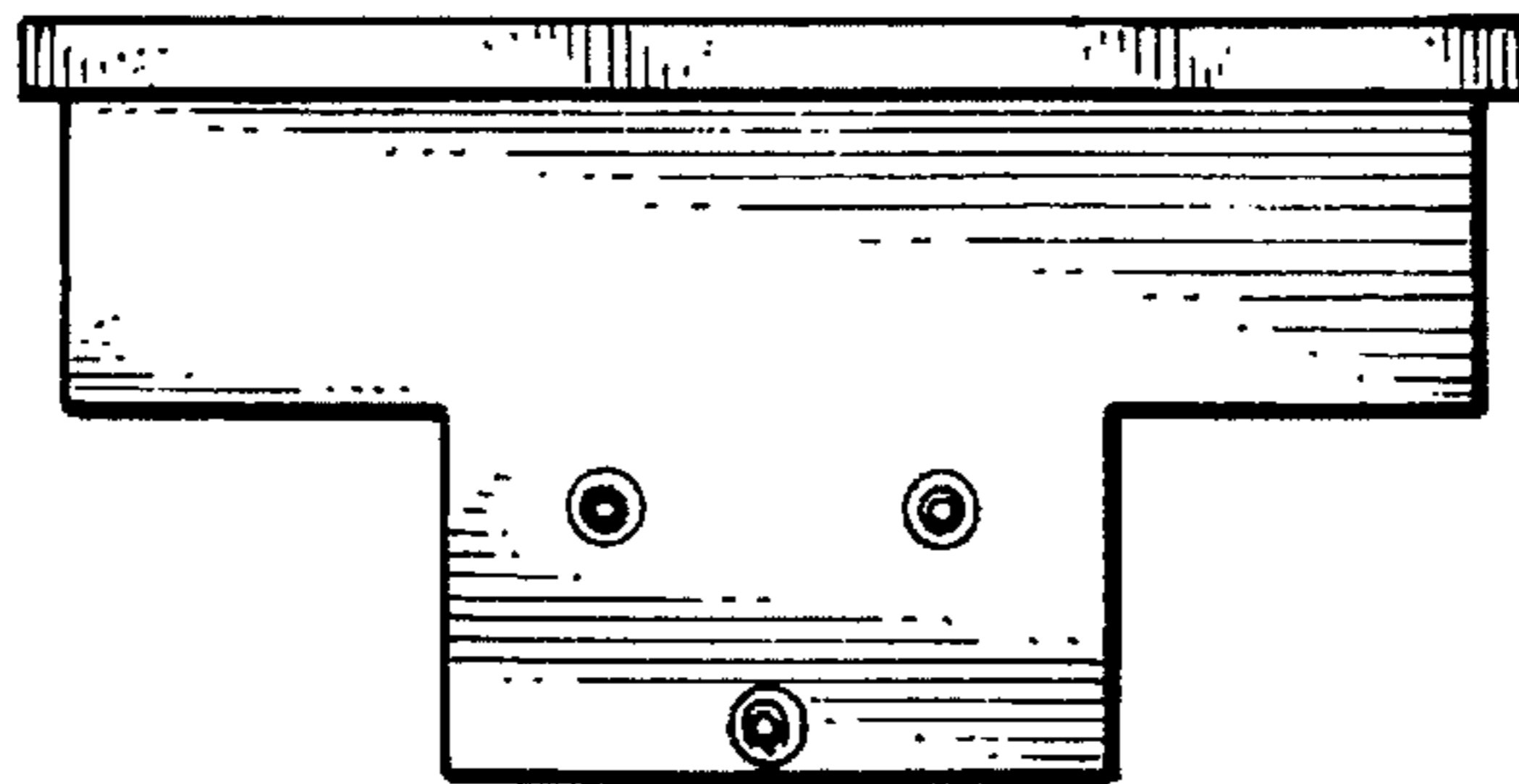


FIG. 5



FIG. 6