



US00D380186S

United States Patent [19]

Van Veen

[11] Patent Number: Des. 380,186

[45] Date of Patent: **Jun. 24, 1997

[54] BOAT

[76] Inventor: **Hans Van Veen**, 30473 Mulholland Hwy. 123, Agoura, Calif. 91301-3149

[**] Term: **14 Years**

[21] Appl. No.: **41,815**

[22] Filed: **Jul. 25, 1995**

[51] LOC (6) Cl. **12-06**

[52] U.S. Cl. **D12/300; D12/314**

[58] Field of Search D12/300, 302, D12/303, 310, 314; 114/347, 348, 355

[56] **References Cited**

U.S. PATENT DOCUMENTS

D. 218,541	8/1970	Proctor	D12/303
D. 267,314	12/1982	Beatty et al.	D12/300
D. 286,870	11/1986	Fairchild	D12/310
2,325,436	7/1943	Tegethoff	114/348
2,770,817	11/1956	Woodworth et al.	114/348

Primary Examiner—Kay H. Chin
Attorney, Agent, or Firm—Paul M. Denk

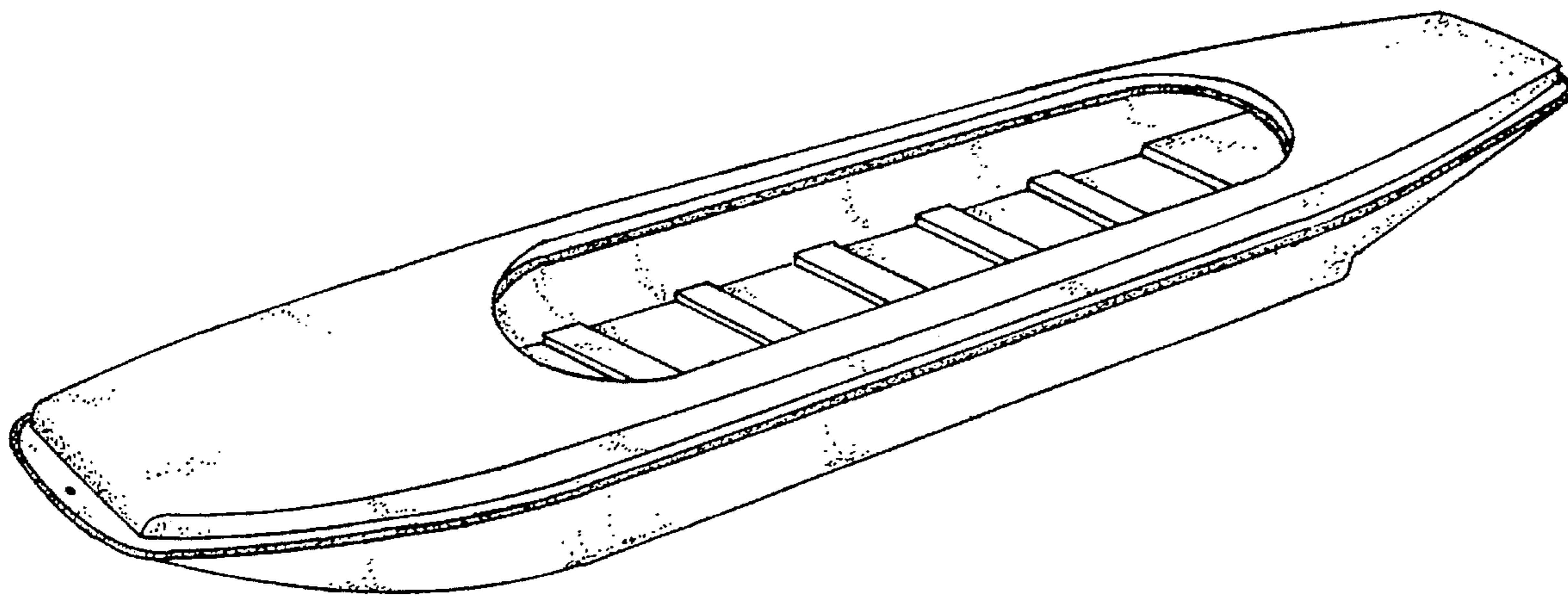
[57] **CLAIM**

The ornamental design for the boat, as shown and described.

DESCRIPTION

FIG. 1 is an isometric view of the boat showing my new design;
 FIG. 2 is a top plan view thereof;
 FIG. 3 is a bottom view thereof;
 FIG. 4 is a left side view, the right side view being a mirror image thereof;
 FIG. 5 is a front view thereof;
 FIG. 6 is a rear view thereof;
 FIG. 7 is a top perspective view of a second embodiment of the boat;
 FIG. 8 is a top view of FIG. 7;
 FIG. 9 is a bottom view of FIG. 7;
 FIG. 10 is a left side view of FIG. 7, the right side view being a mirror image thereof;
 FIG. 11 is a front view of FIG. 7;
 FIG. 12 is a rear view of FIG. 7;
 FIG. 13 is a front view of a third embodiment of the boat;
 FIG. 14 is a rear view of FIG. 13;
 FIG. 15 is a top perspective view of FIG. 13; and,
 FIG. 16 is a bottom view of FIG. 13.

1 Claim, 3 Drawing Sheets



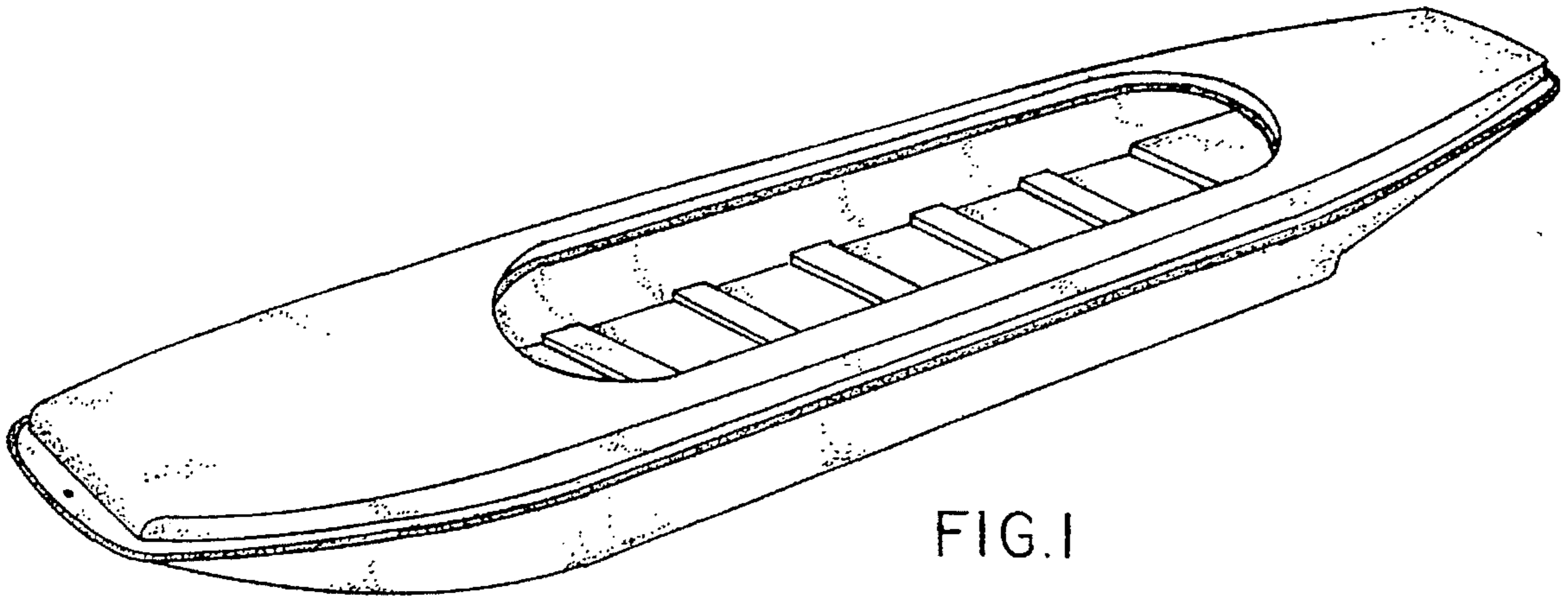


FIG. 1

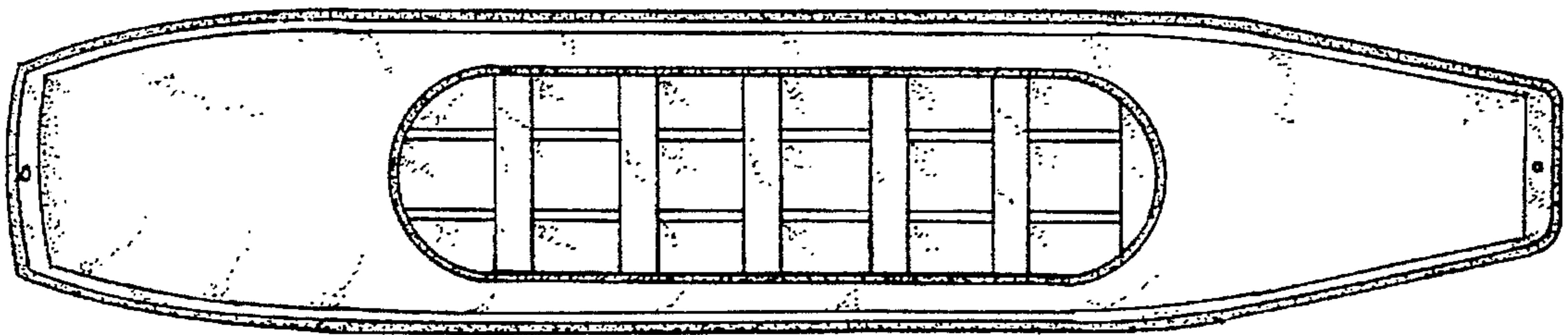


FIG. 2

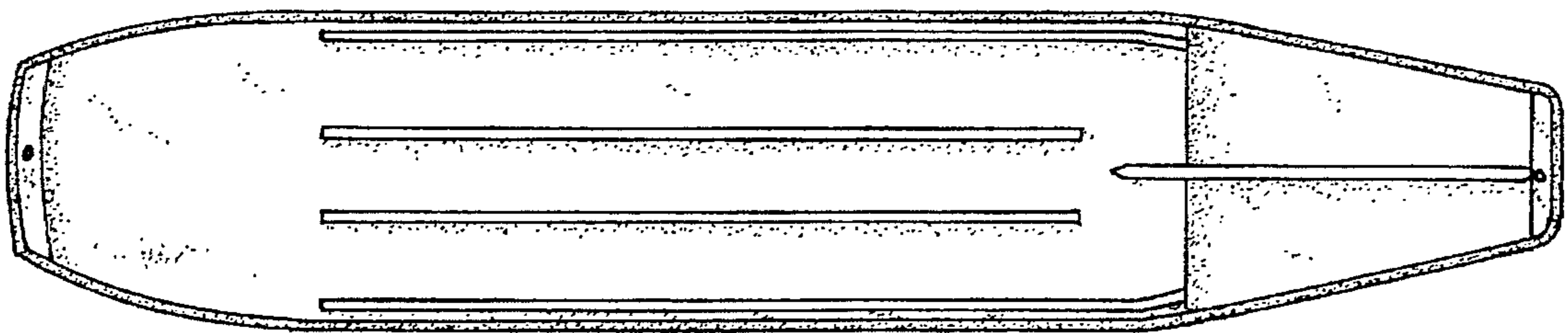


FIG. 3

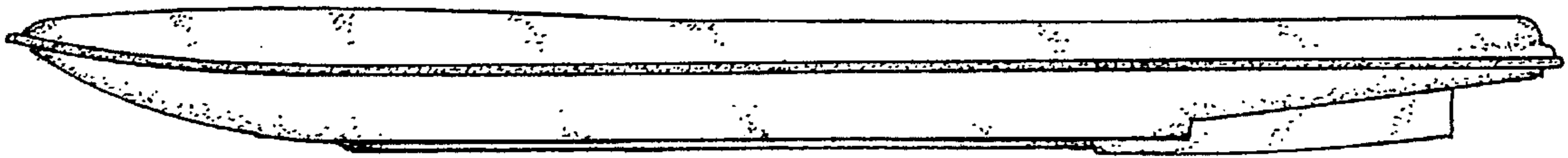


FIG. 4

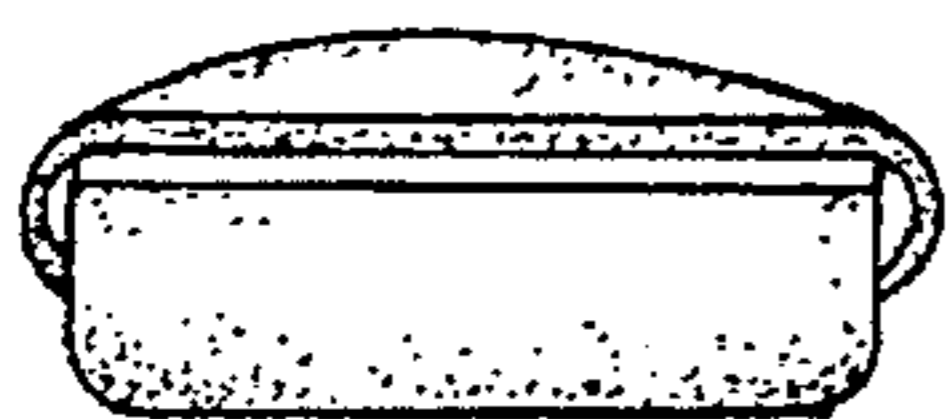


FIG. 5

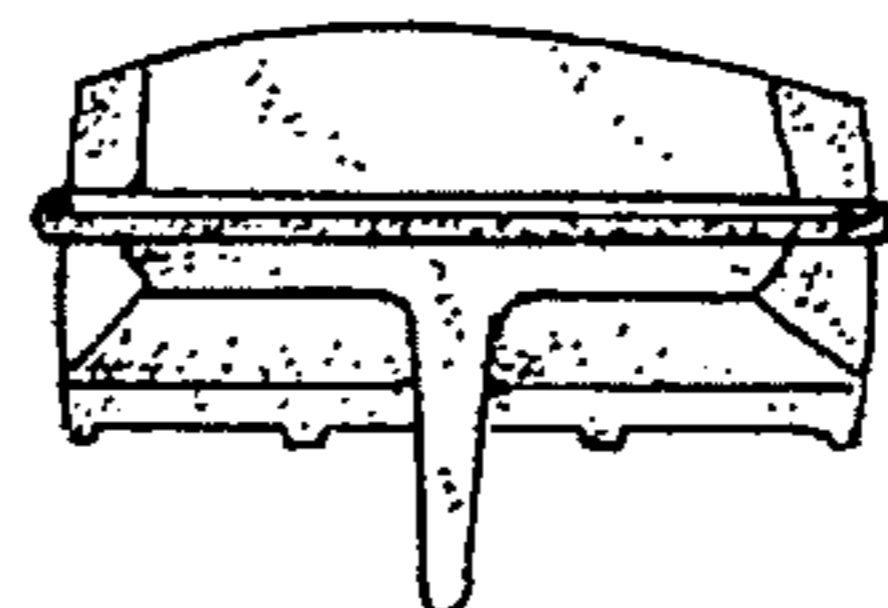


FIG. 6

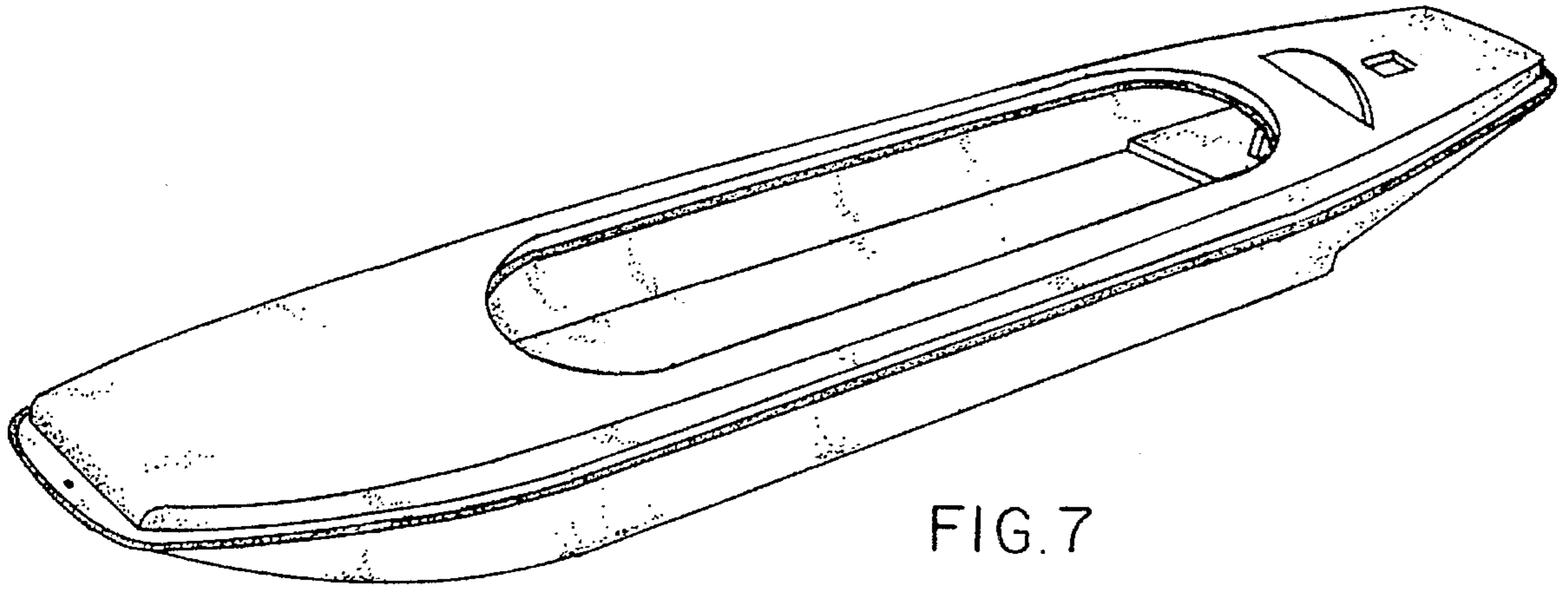


FIG. 7

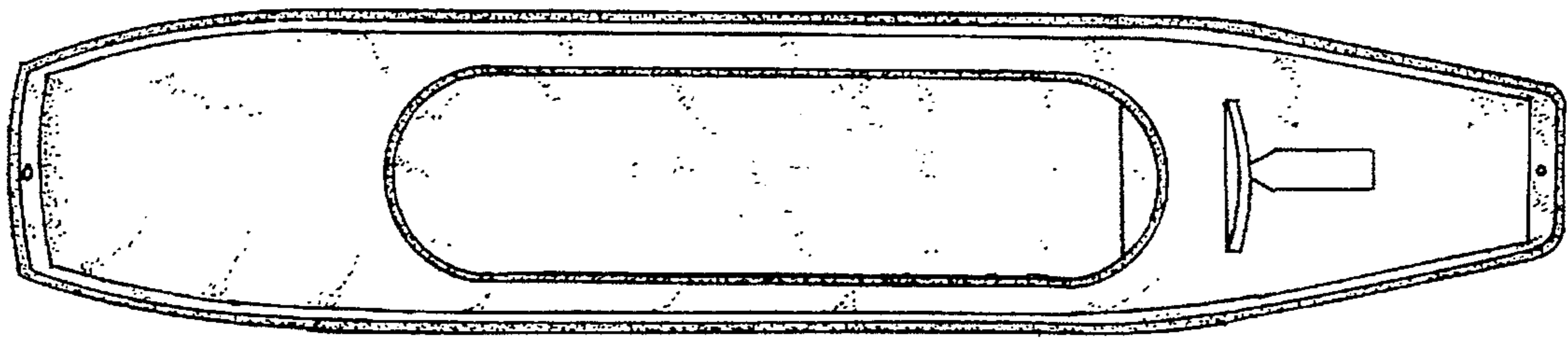


FIG. 8

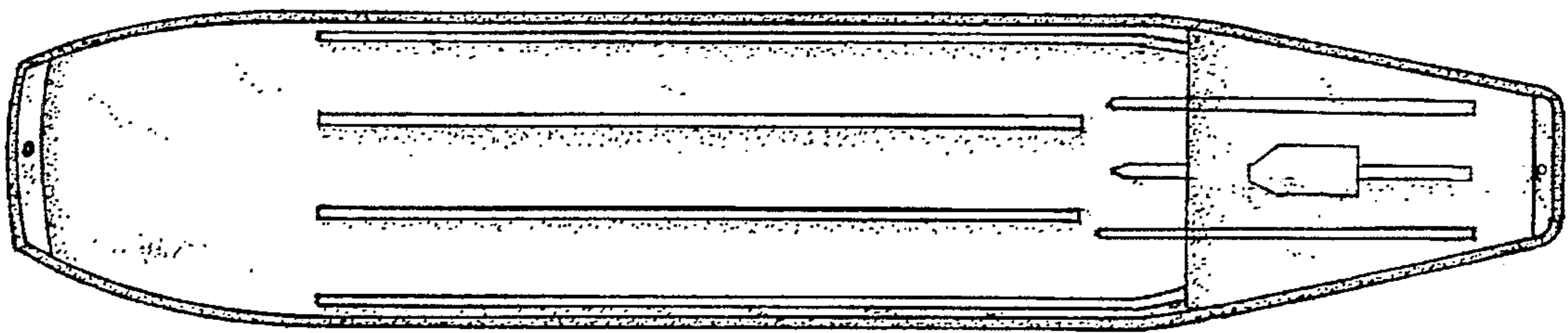


FIG. 9

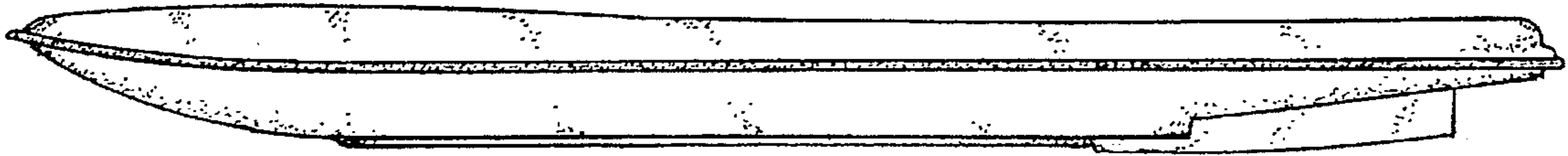


FIG. 10

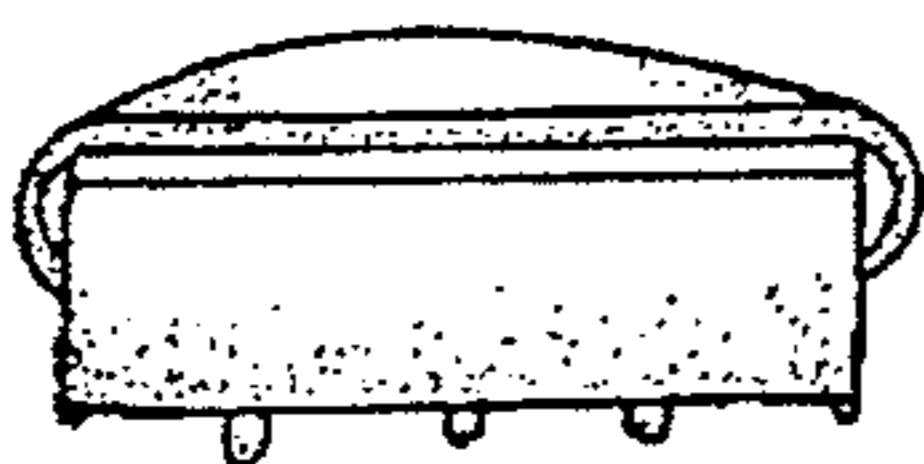


FIG. 11

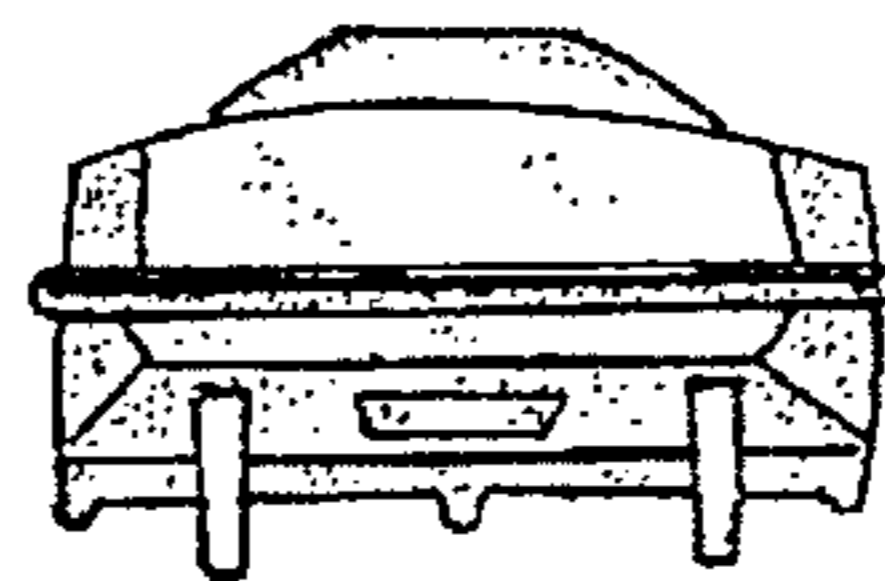


FIG. 12

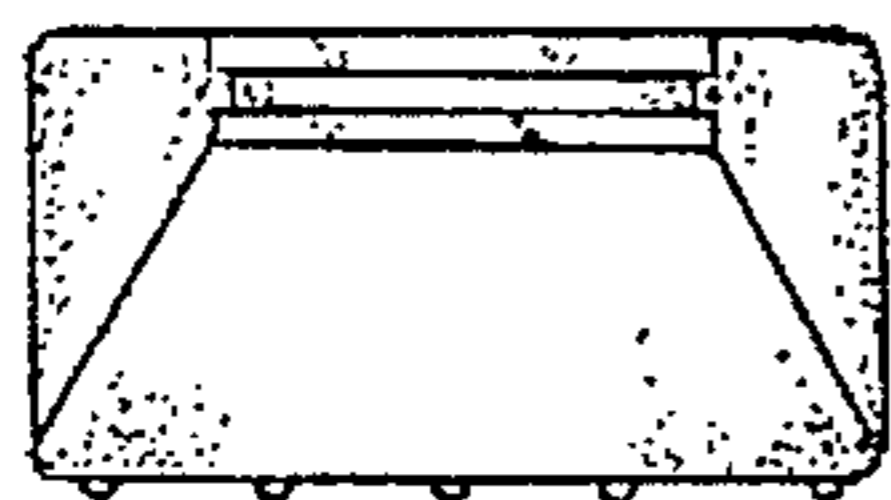


FIG.13

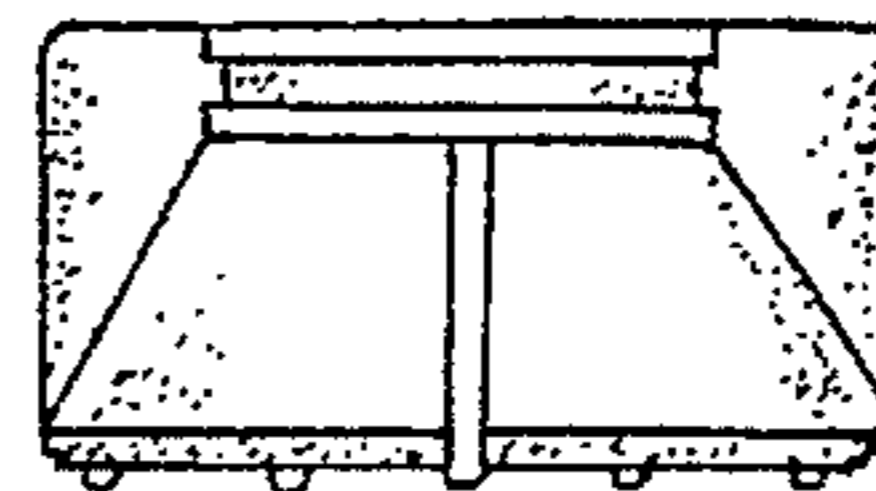


FIG.14

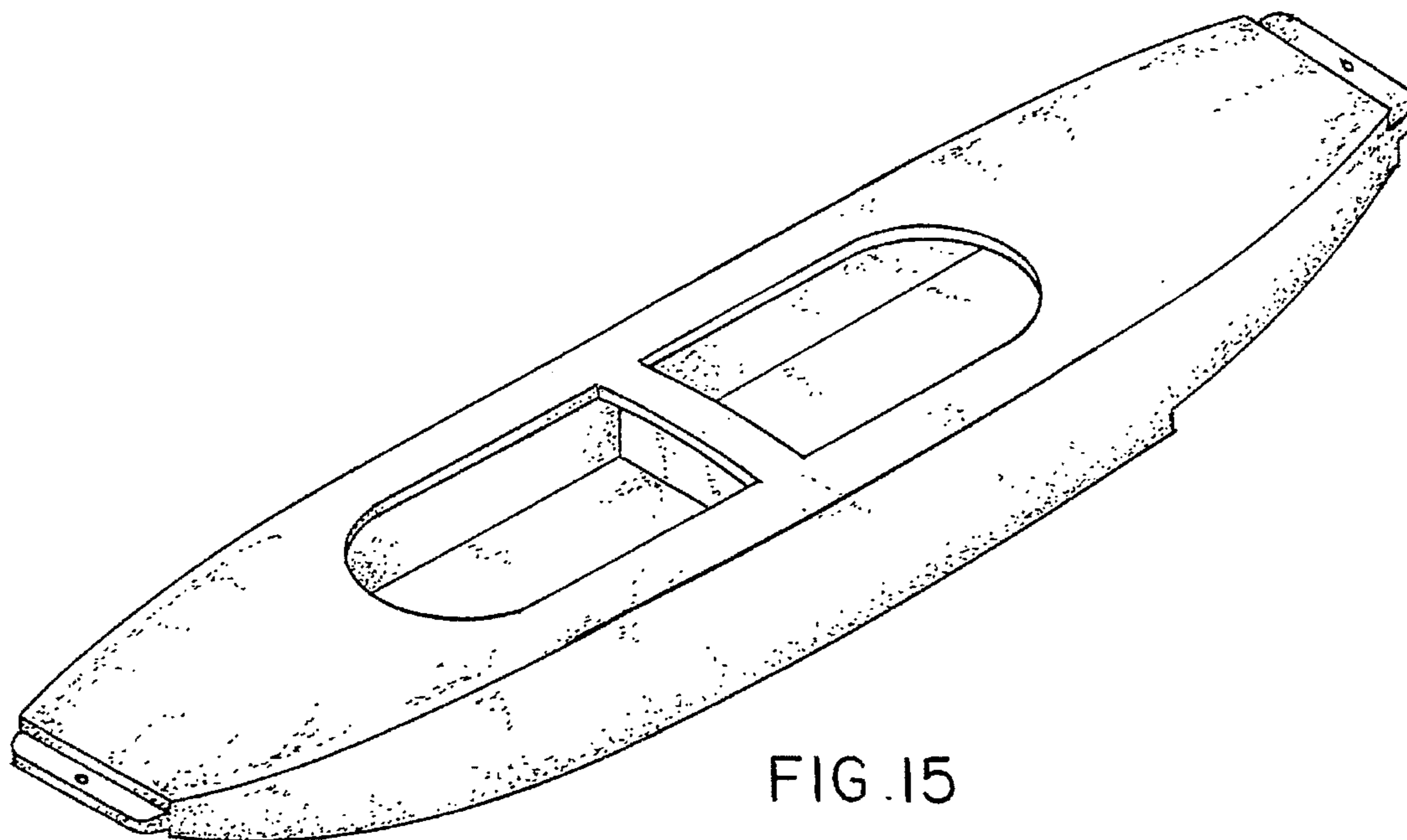


FIG.15

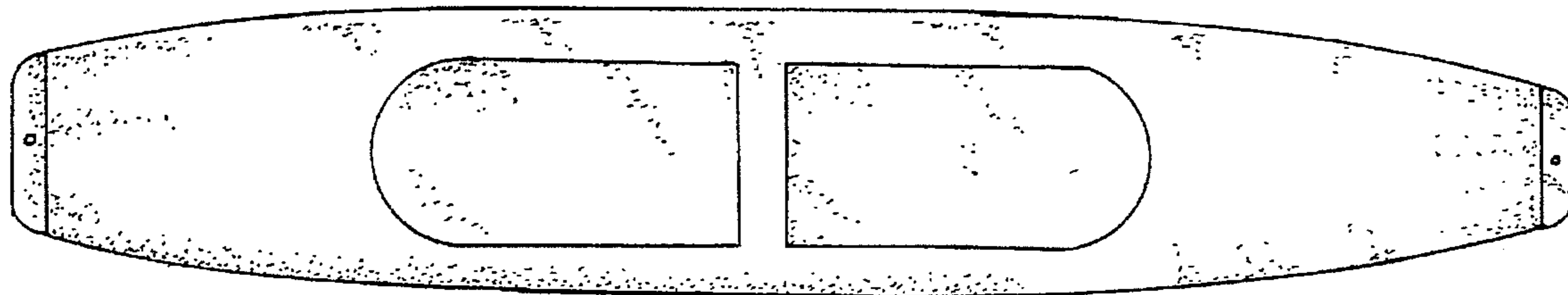


FIG.16