



US00D380160S

United States Patent [19] Wang

[11] Patent Number: Des. 380,160

[45] Date of Patent: **Jun. 24, 1997

[54] CLOCK

D. 158,685 5/1950 Punzak D10/7

[76] Inventor: **I-Hwa Wang**, No. 16, Kuo-Tai Lane,
Sec. 2, Chang-Ping Rd., Pei-Tun Dist.,
Taichung City, Taiwan

FOREIGN PATENT DOCUMENTS

564407 10/1993 European Pat. Off. D10/11 X

[**] Term: **14 Years**

Primary Examiner—Nelson C. Holtje
Attorney, Agent, or Firm—Skjerven, Morrill, MacPherson,
Franklin & Friel

[21] Appl. No.: **54,111**

[57] CLAIM

[22] Filed: **May 7, 1996**

The ornamental design for clock, as shown and described.

[51] LOC (6) Cl. **10-01**

[52] U.S. Cl. **D10/7; D10/11**

[58] Field of Search D10/6, 7, 9, 11;
368/10, 285; D21/114, 160

DESCRIPTION

FIG. 1 is a perspective view of clock showing my new design;

FIG. 2 is a front elevational view thereof;

FIG. 3 is a rear elevational view thereof;

FIG. 4 is a left side elevational view thereof;

FIG. 5 is a right side elevational view thereof;

FIG. 6 is a top plan view thereof; and,

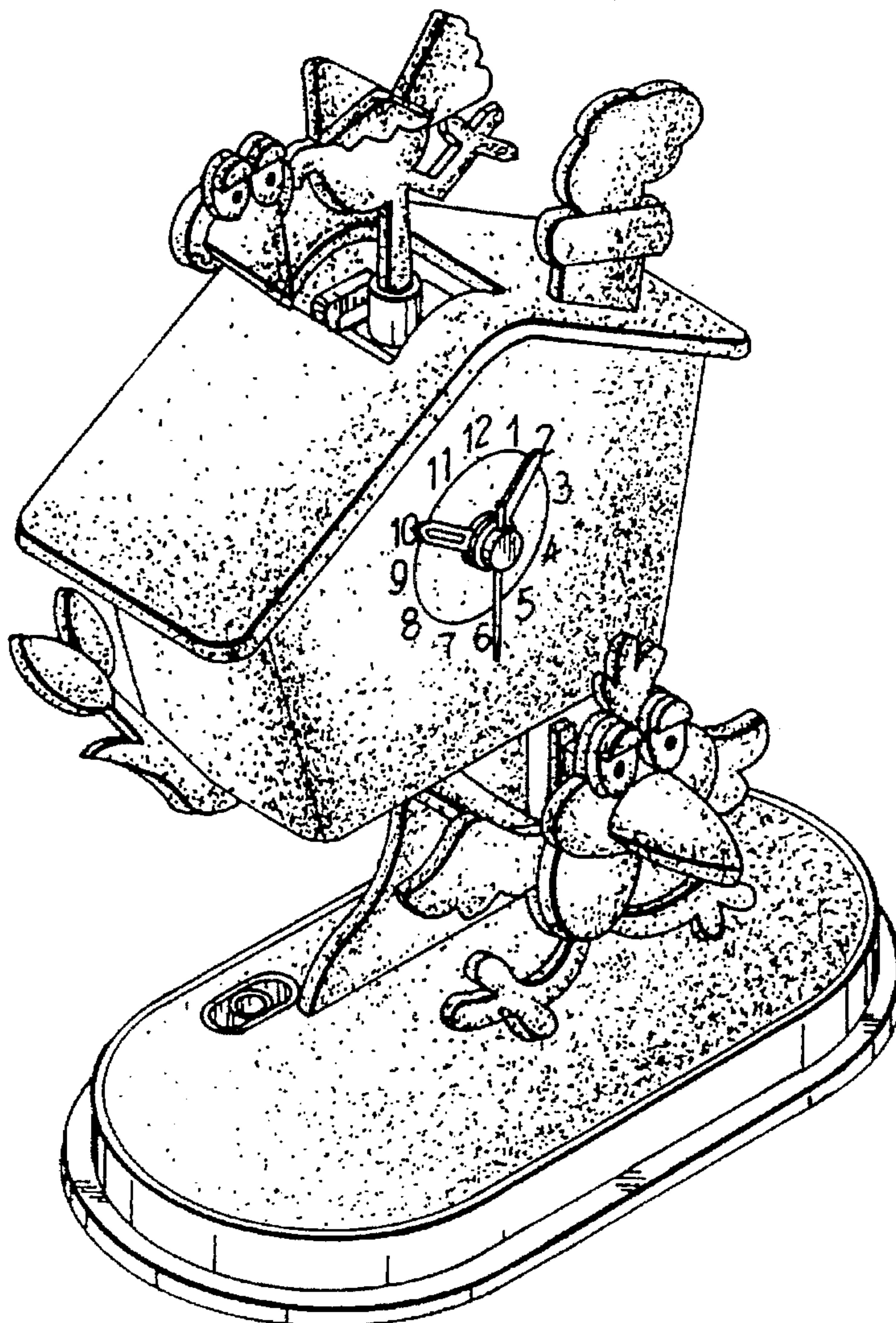
FIG. 7 is a bottom plan view thereof.

[56] References Cited

U.S. PATENT DOCUMENTS

- D. 62,005 2/1923 Ginelewitz D10/7
- D. 91,208 12/1933 Levy D10/7
- D. 126,644 4/1941 Taylor D10/34
- D. 154,891 8/1949 Weber D10/7

1 Claim, 4 Drawing Sheets



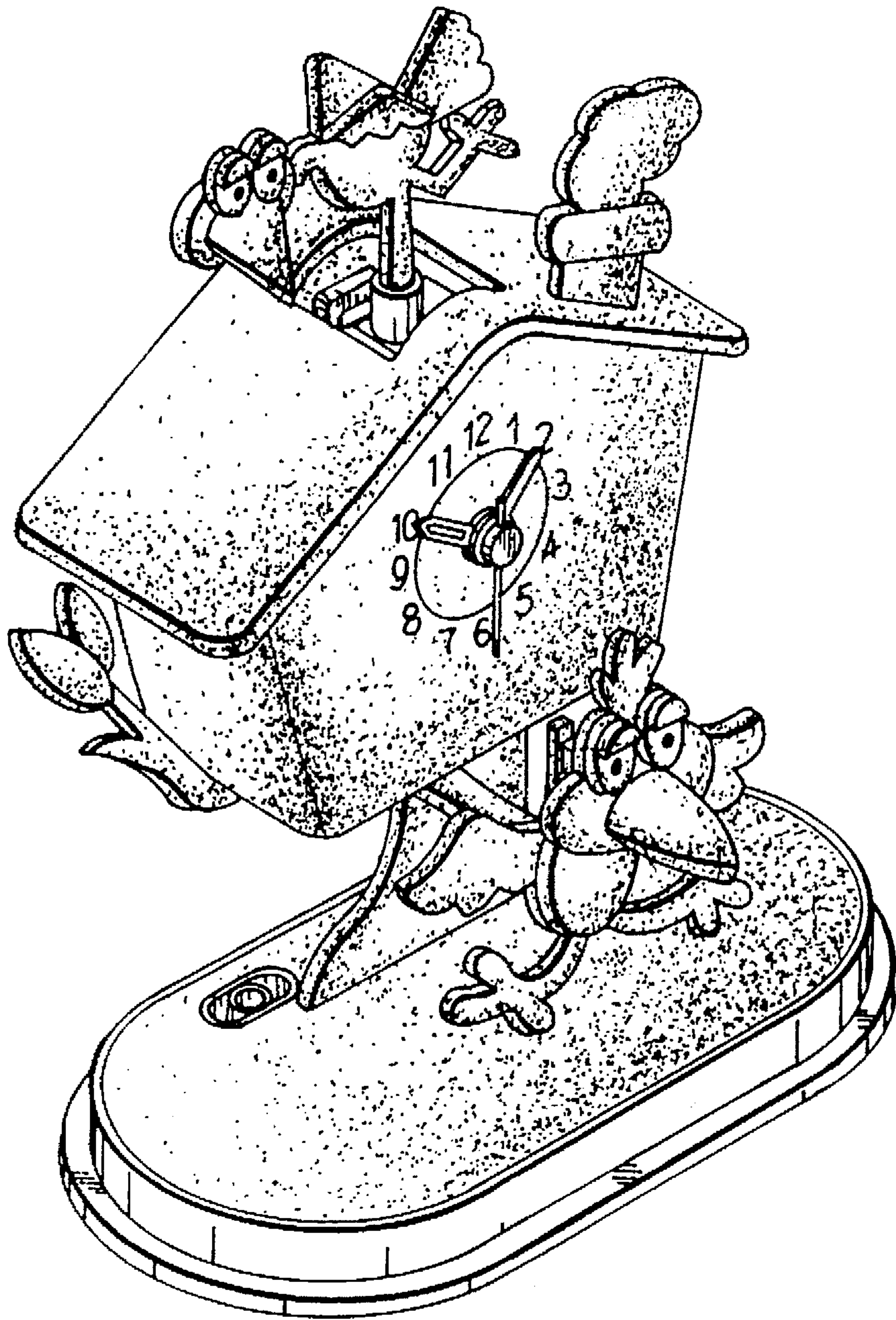


FIG. 1

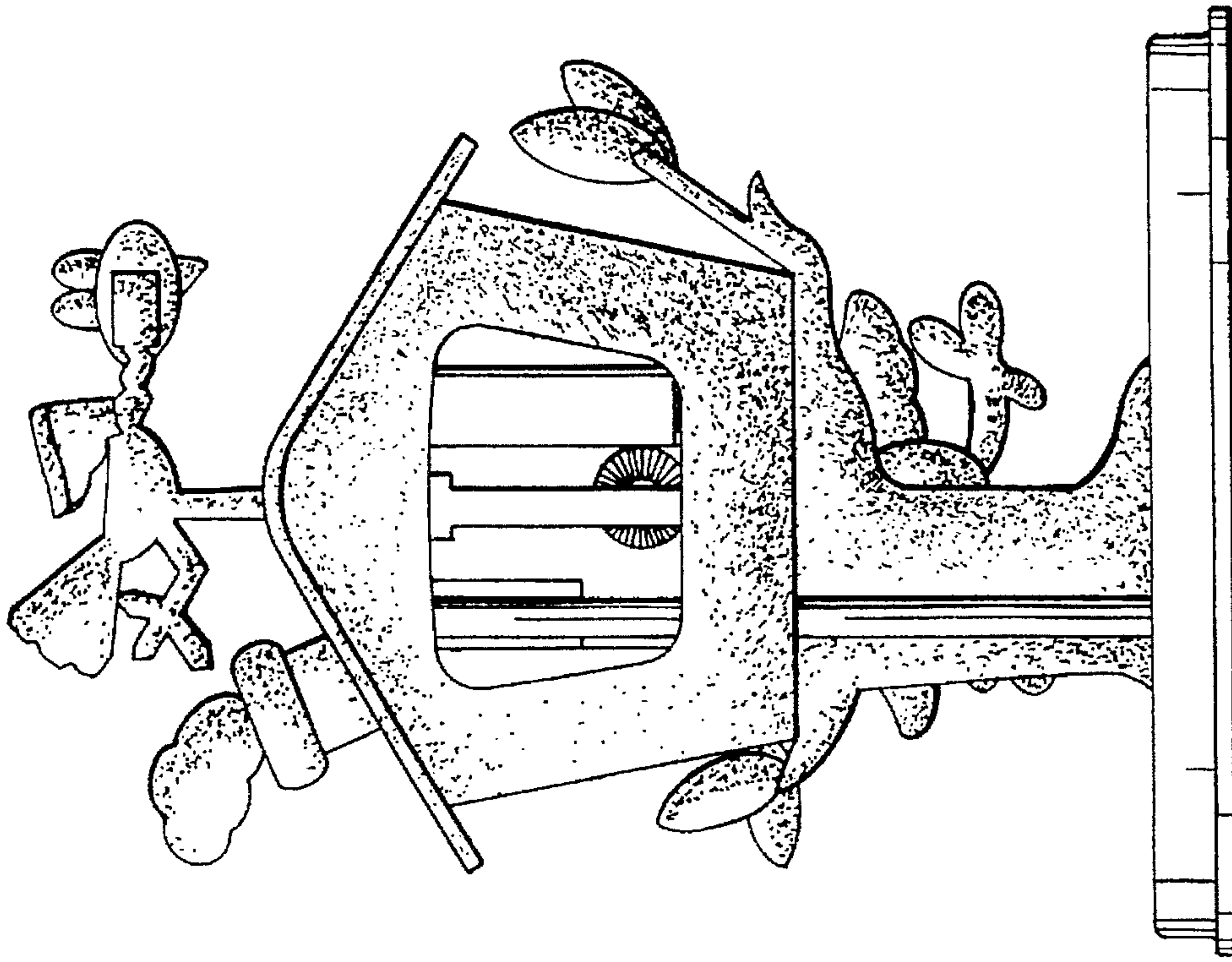


FIG. 2

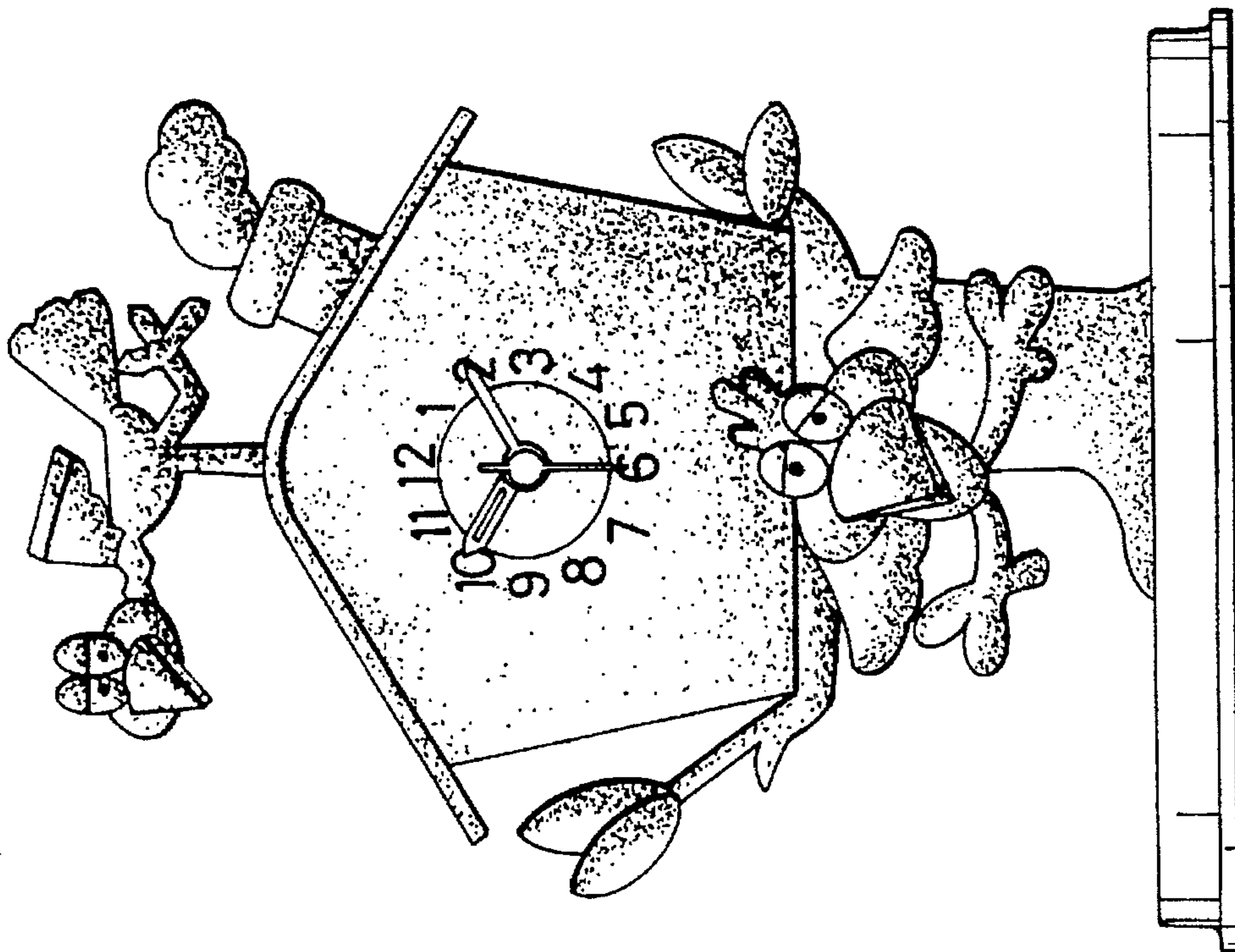
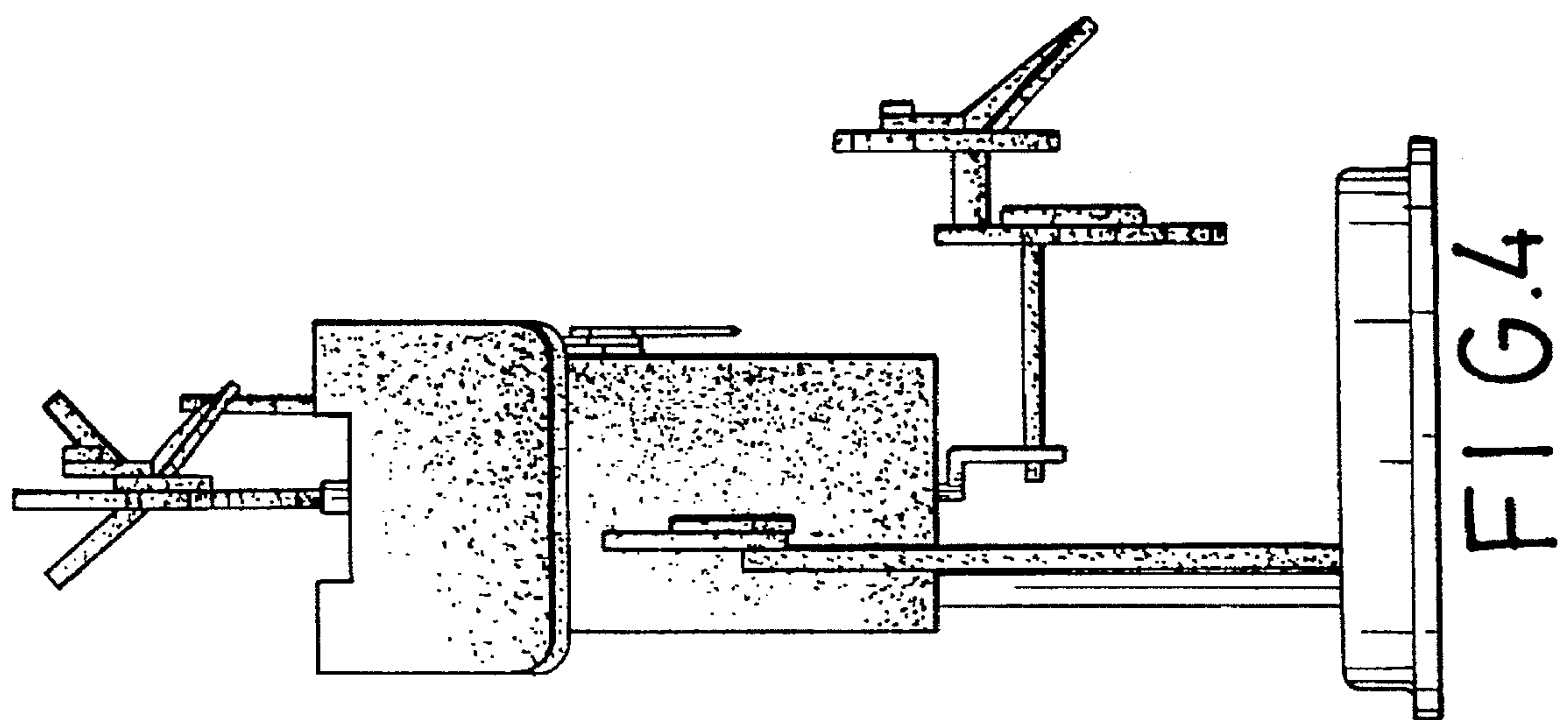
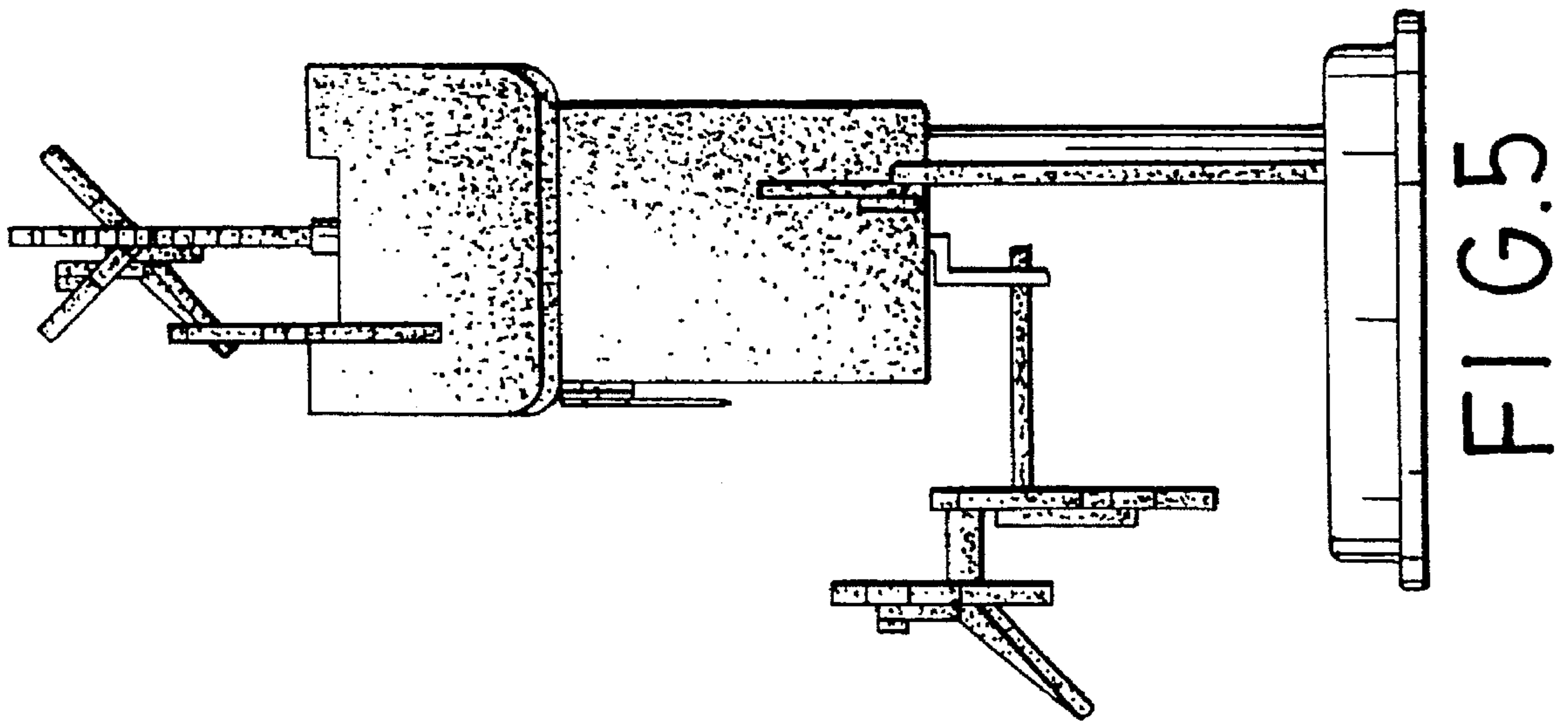


FIG. 3



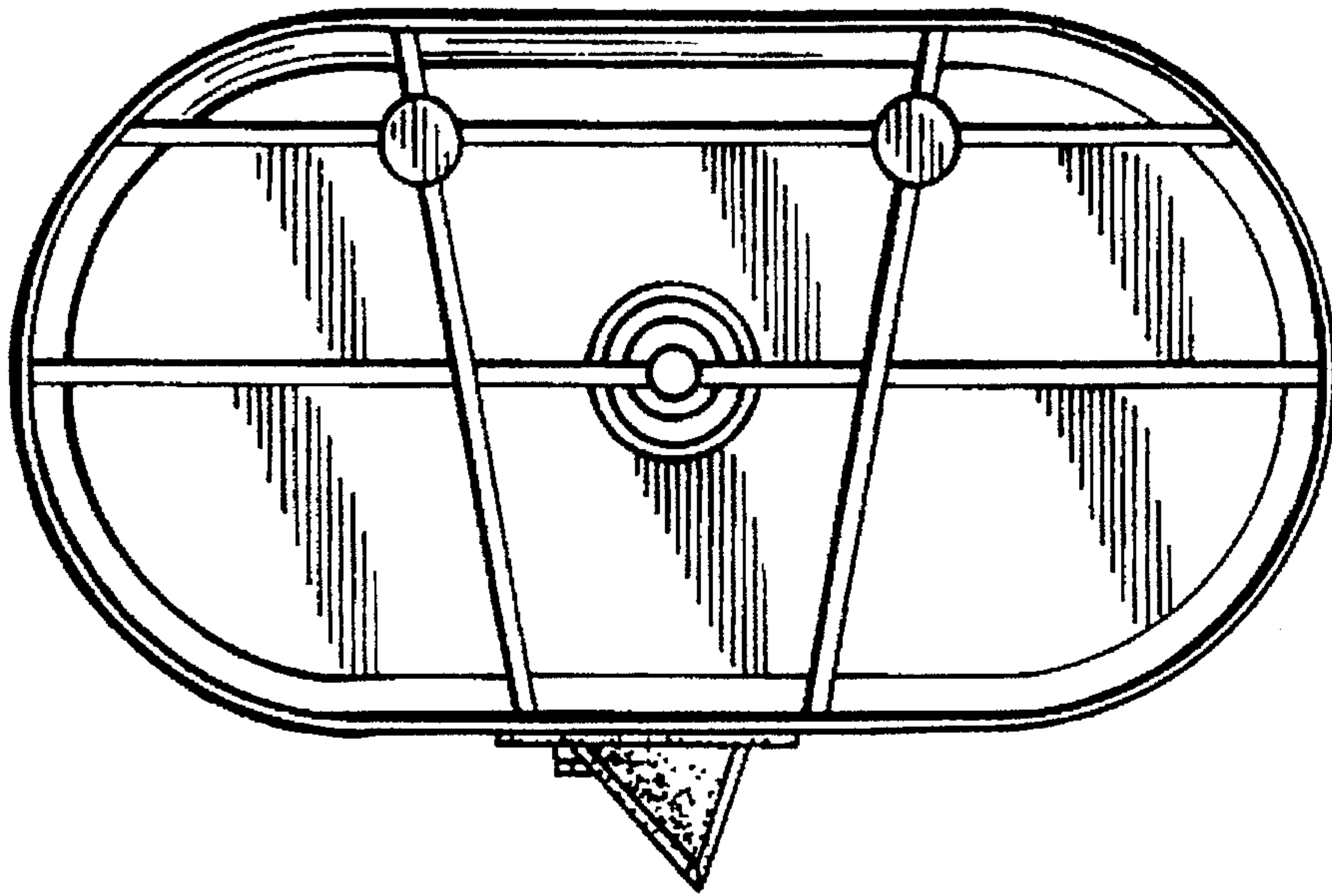


FIG. 6

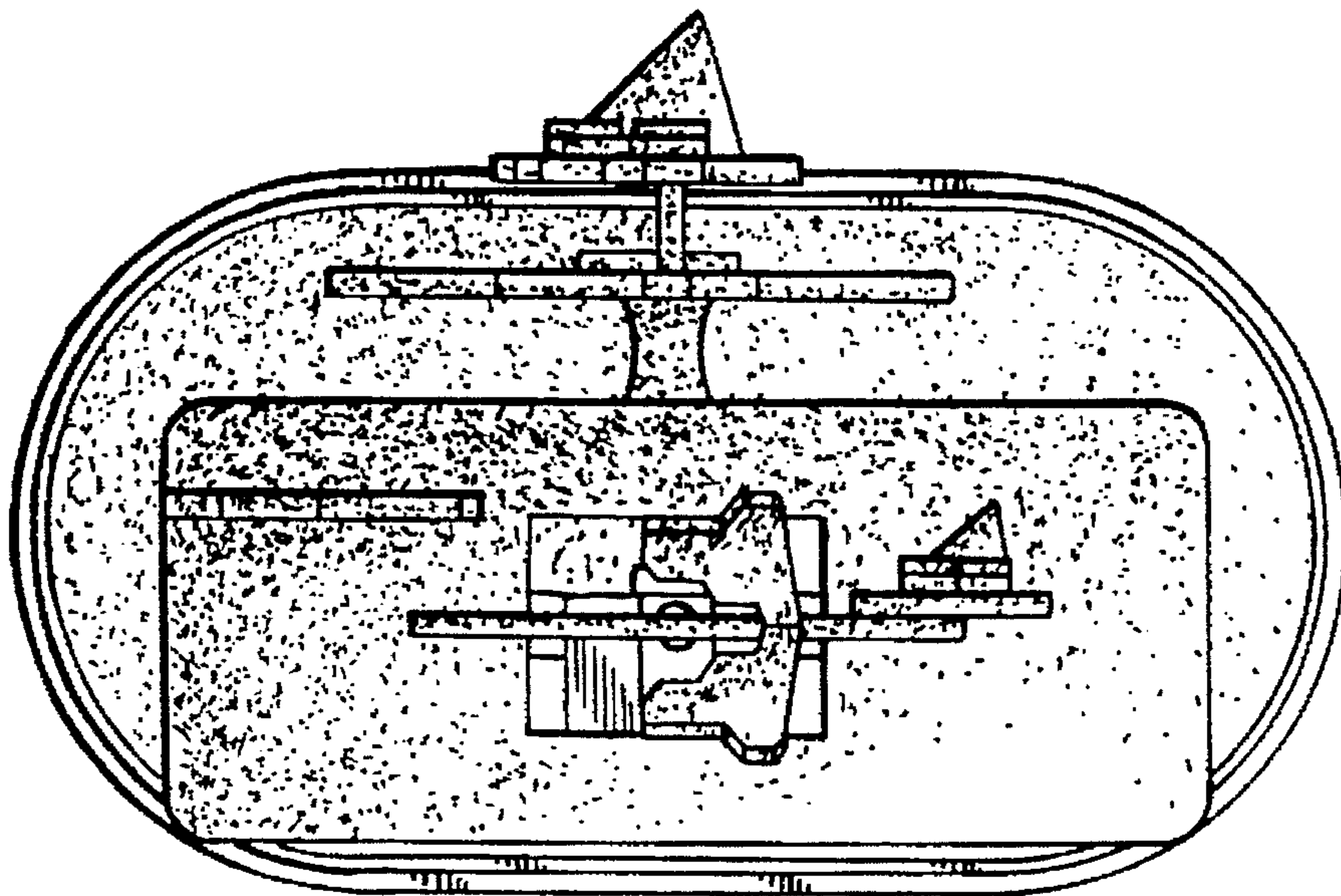


FIG. 7