



US00D380154S

# United States Patent [19] Ryan

[11] Patent Number: **Des. 380,154**

[45] Date of Patent: **\*\*Jun. 24, 1997**

[54] **DECORATIVE BOX**

[76] Inventor: **Janette A. Ryan**, 18 Dennis Rd.,  
Lafayette, N.J. 07848

[\*\*] Term: **14 Years**

[21] Appl. No.: **31,856**

[22] Filed: **Dec. 7, 1994**

### Related U.S. Application Data

[63] Continuation-in-part of Ser. No. 21,735, Apr. 22, 1994,  
abandoned.

[51] LOC (6) Cl. .... **09-07**

[52] U.S. Cl. .... **D9/432**

[58] Field of Search ..... D9/307, 334-336,  
D9/432-433; 206/457-458; 229/116.1,  
116.5, 87.18, 87.19, 922, 923; 428/4

### [56] References Cited

#### U.S. PATENT DOCUMENTS

D. 261,617 11/1981 Austin, Jr. .... D9/432  
3,153,503 10/1964 Goldstein ..... 229/116.1 X

4,185,767 1/1980 Sykora et al. .... 229/922 X  
4,937,106 6/1990 Eliason ..... 428/4  
5,137,207 8/1992 McAdam ..... 229/922 X  
5,452,846 9/1995 Myers ..... D9/336 X

*Primary Examiner*—Sandra L. Morris  
*Assistant Examiner*—Nanda Bondade  
*Attorney, Agent, or Firm*—S. A. Capello

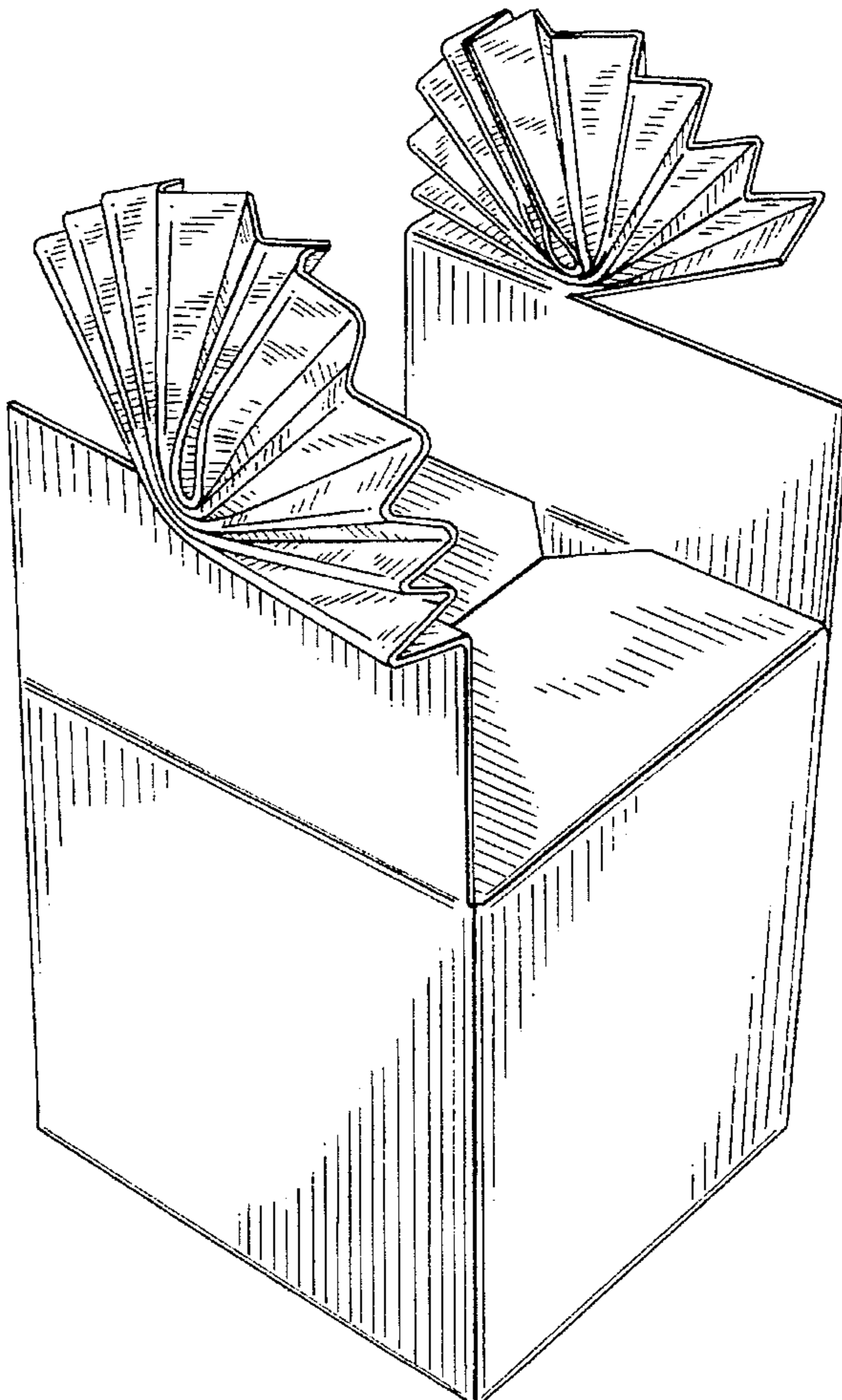
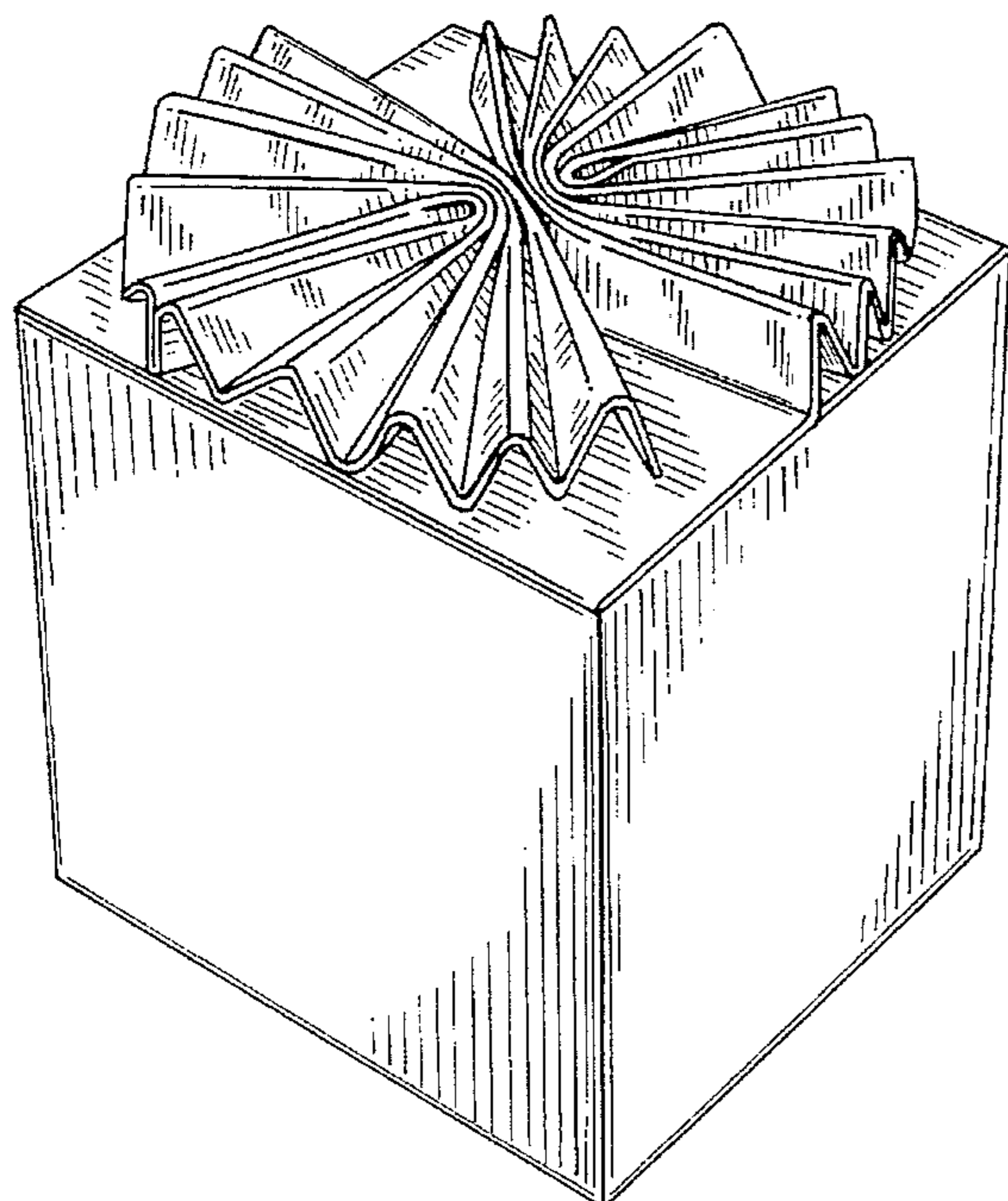
### [57] CLAIM

The ornamental design for a decorative box, as shown and described.

### DESCRIPTION

FIG. 1 is a perspective view of a decorative box showing my new design;  
FIG. 2 is a top plan view thereof;  
FIG. 3 is a front view thereof, the rear view being a mirror image;  
FIG. 4 is a side view thereof, the opposite side being a mirror image;  
FIG. 5 is a bottom view thereof; and,  
FIG. 6 is a top, front and left side perspective view thereof in an open position.

**1 Claim, 4 Drawing Sheets**



# FIG-1

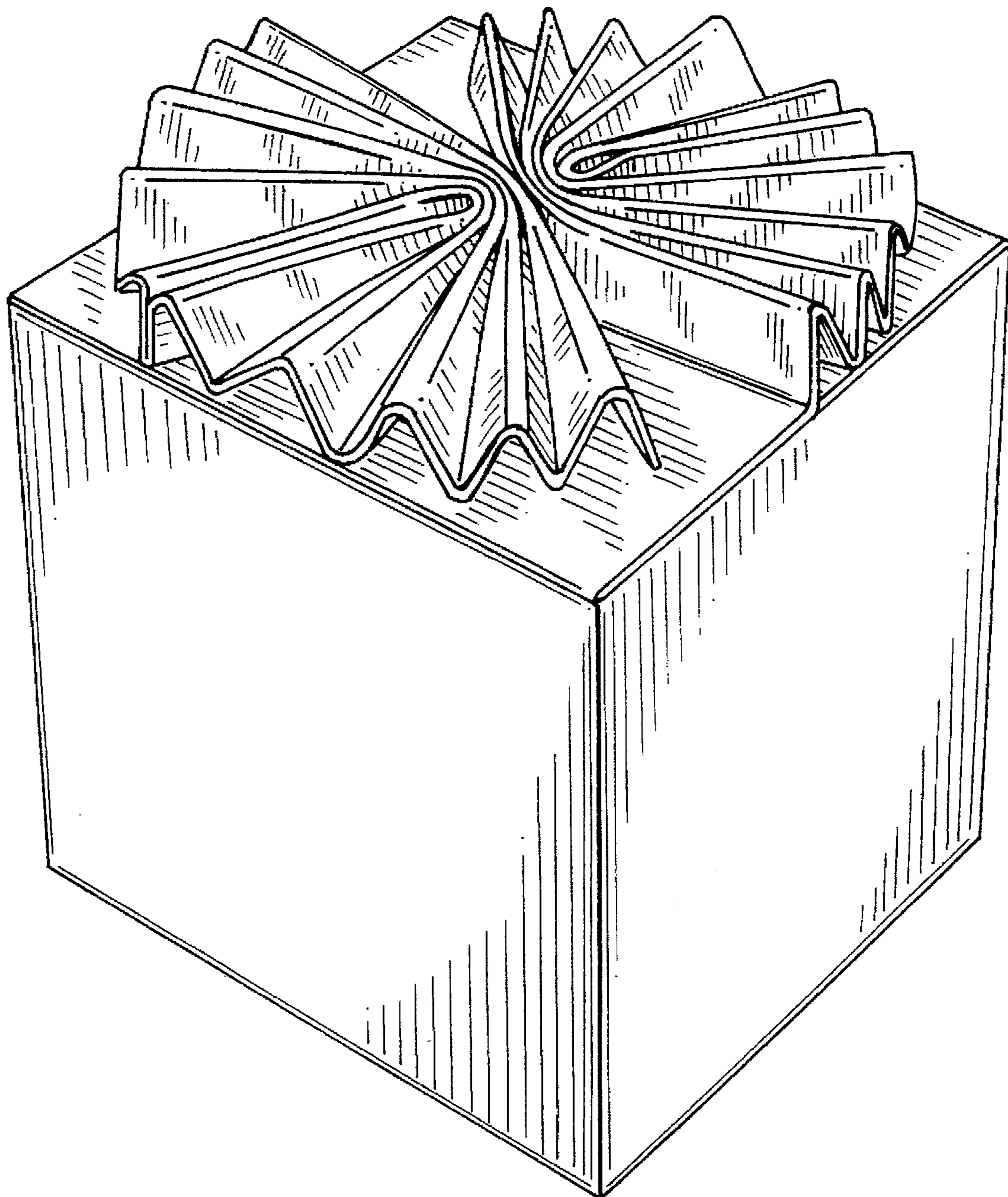




FIG-2

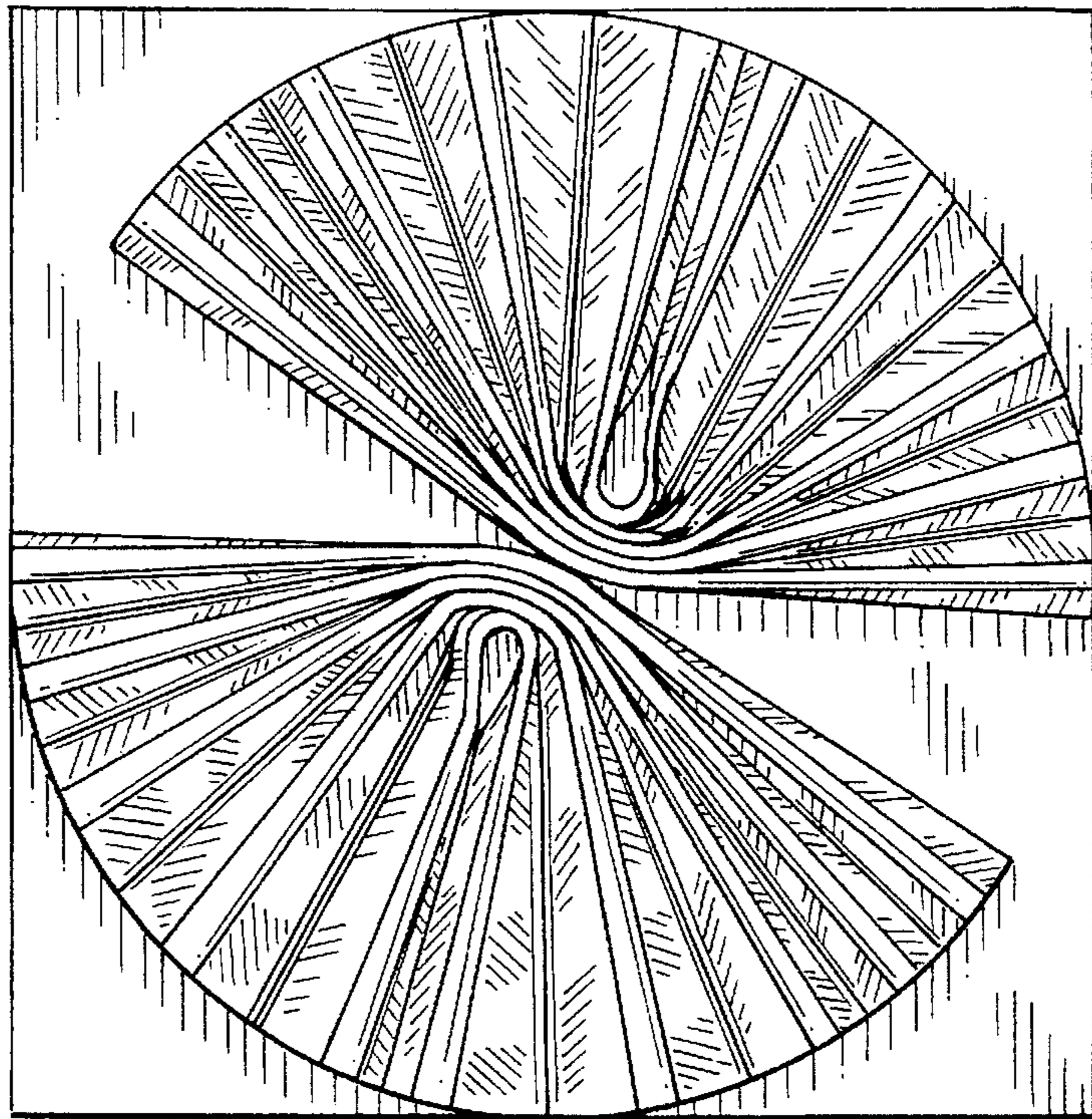


FIG-3

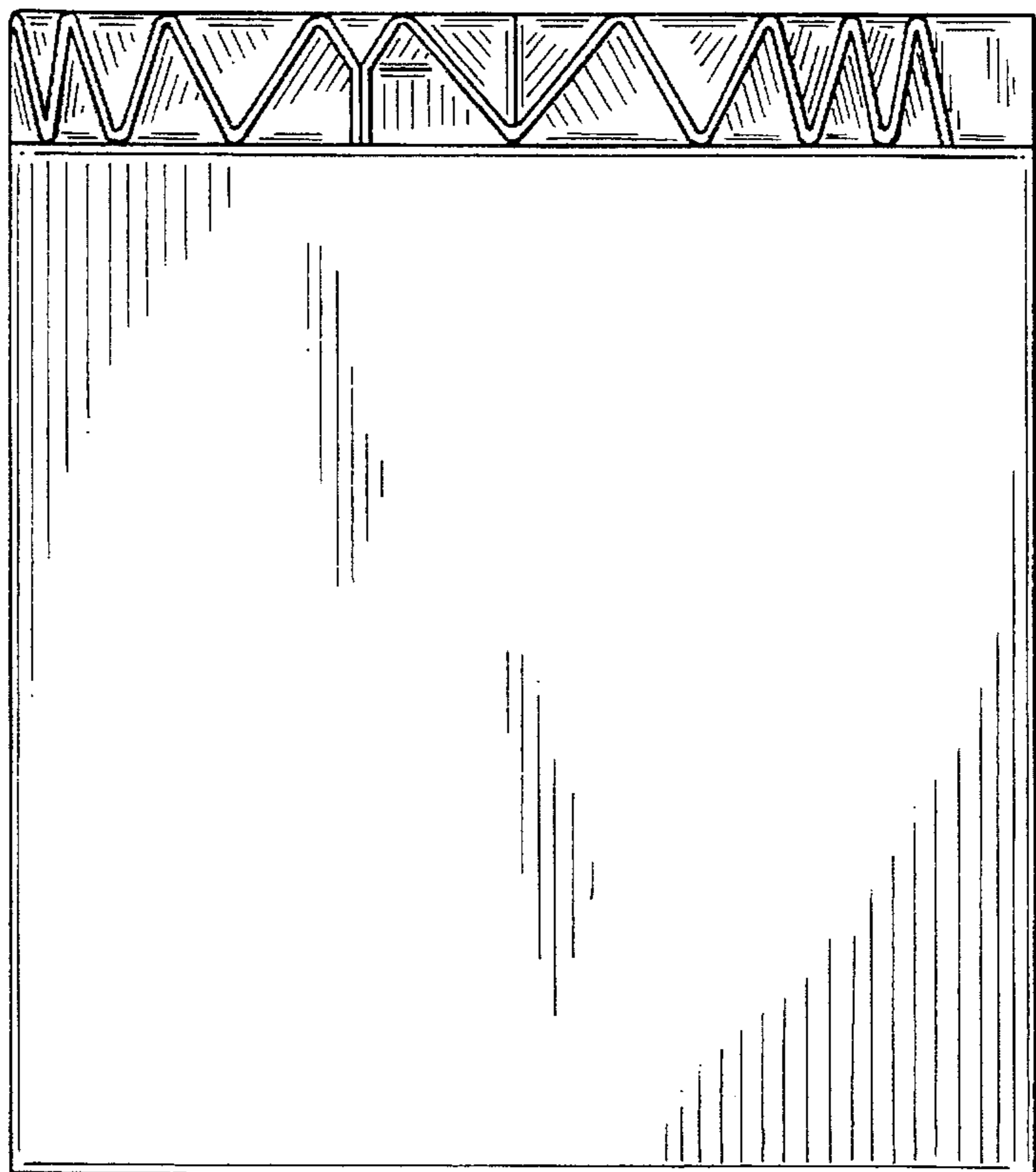


FIG-4

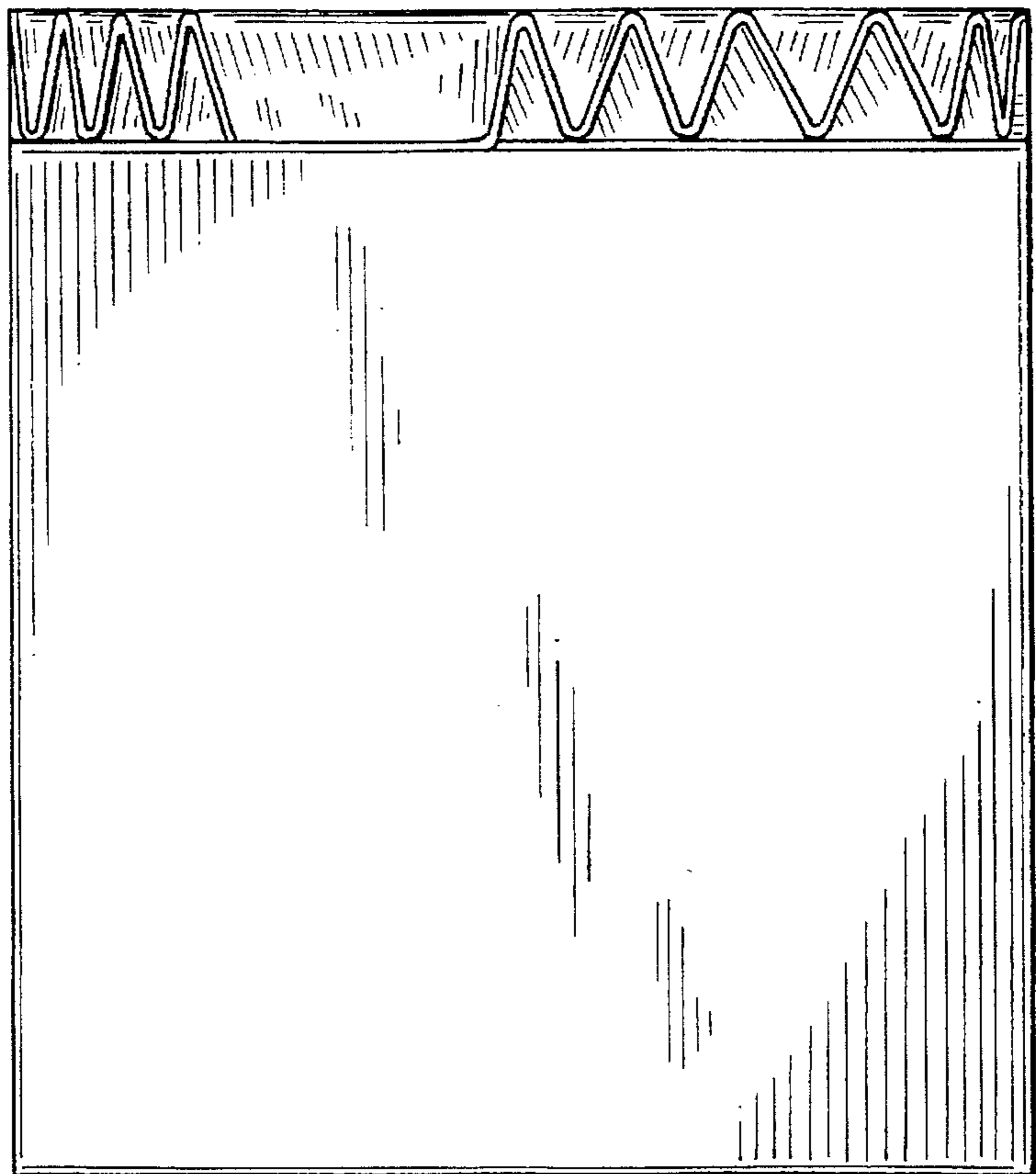


FIG-5

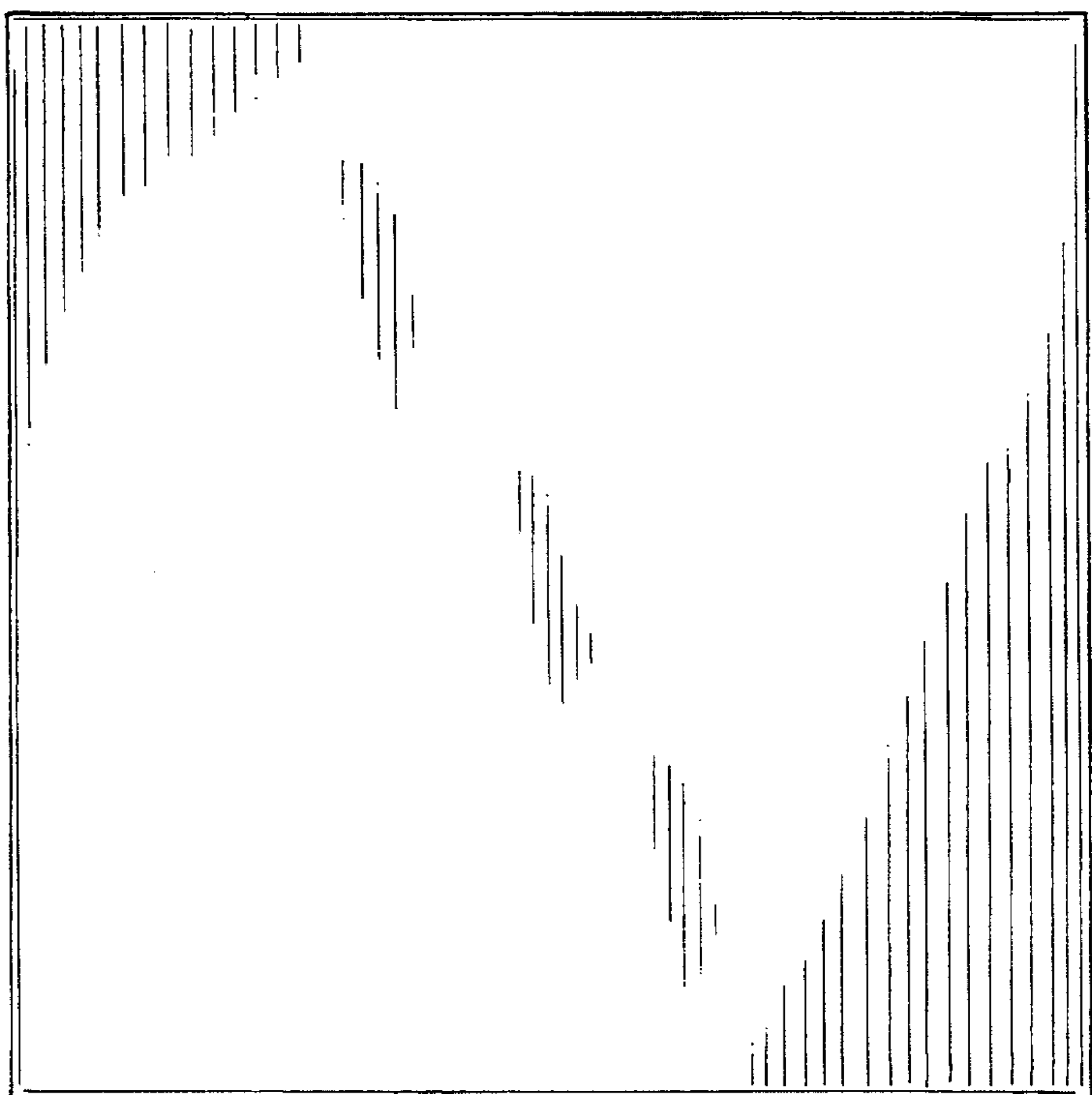


FIG-6

