



US00D380152S

United States Patent [19] Correll

[11] Patent Number: **Des. 380,152**

[45] Date of Patent: ****Jun. 24, 1997**

[54] **FOOD CONTAINER**

[76] Inventor: **John D. Correll**, 8459 Holly Dr.,
Canton, Mich. 48187

[**] Term: **14 Years**

[21] Appl. No.: **37,581**

[22] Filed: **Apr. 17, 1995**

Related U.S. Application Data

[63] Continuation-in-part of Ser. No. 278,258, Jul. 21, 1994.

[51] LOC (6) Cl. **09-07**

[52] U.S. Cl. **D9/430; D9/431; D7/602;
D7/629**

[58] Field of Search D7/602, 629, 698;
D9/423-424, 428, 430-432; 206/534.1,
557; 220/4.21, 4.24, 4.26; 229/109-110,
126, 152, 154, 178, 906

[56] **References Cited**

U.S. PATENT DOCUMENTS

D. 337,024 7/1993 Stickel, III D7/698 X

D. 356,254	3/1995	Correll	D9/423
445,443	1/1891	Everhard	D7/698 X
2,369,728	2/1945	Farkas	206/557 X
2,426,856	9/1947	Berg	206/534.1
5,018,623	5/1991	Hrenyo	206/557

Primary Examiner—Sandra L. Morris
Assistant Examiner—Nanda Bondade

[57] CLAIM

The ornamental design for a food container, as shown and described.

DESCRIPTION

FIG. 1 is a perspective view of a food container showing my new design;
FIG. 2 is a top plan view of the food container;
FIG. 3 is a bottom plan view of the food container;
FIG. 4 is a front elevation view of the food container;
FIG. 5 is a left side view elevation view of the food container;
FIG. 6 is a right side view elevation view of the food container; and,
FIG. 7 is a rear elevation view of the food container.

1 Claim, 3 Drawing Sheets

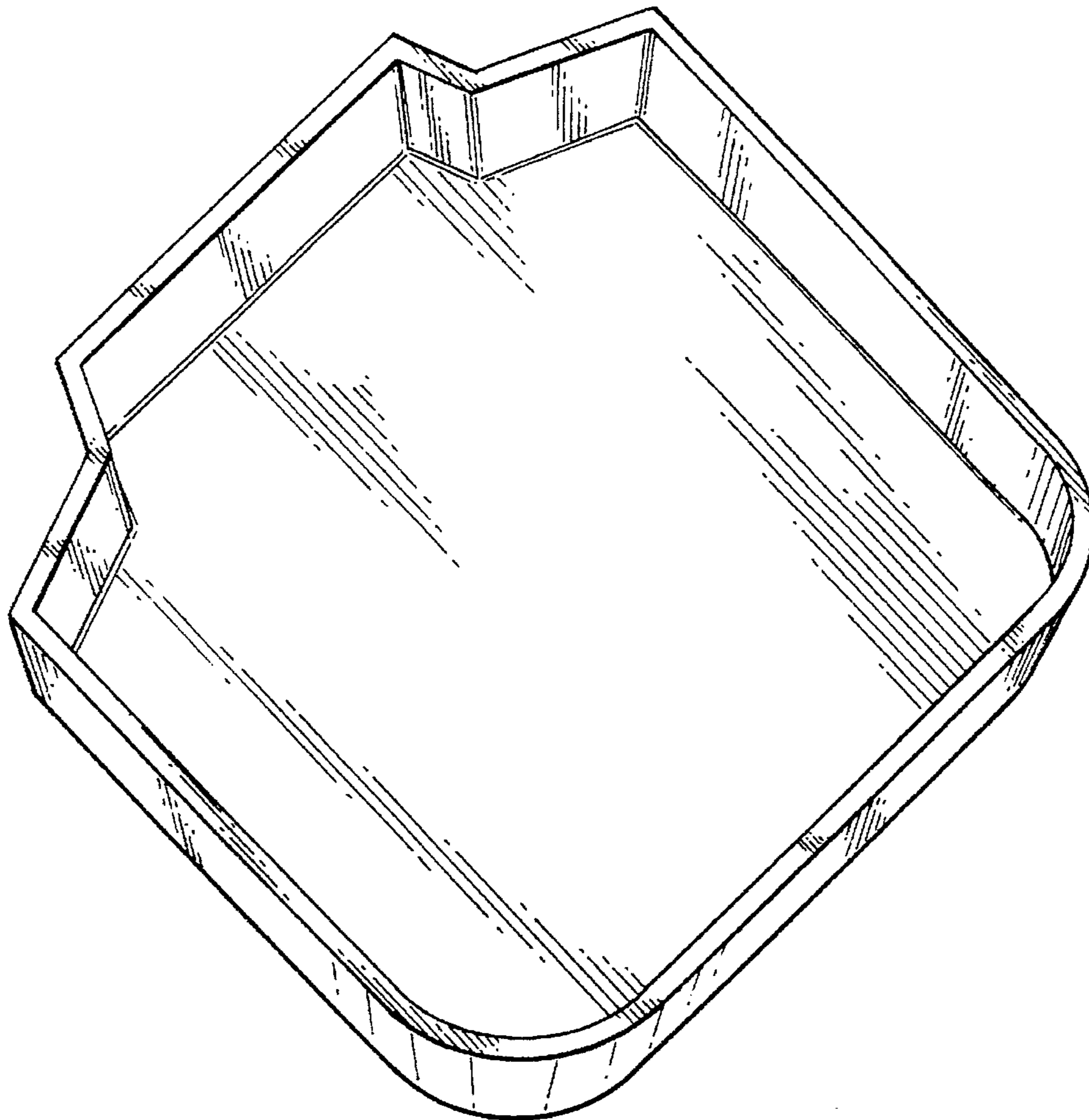


FIG - 1

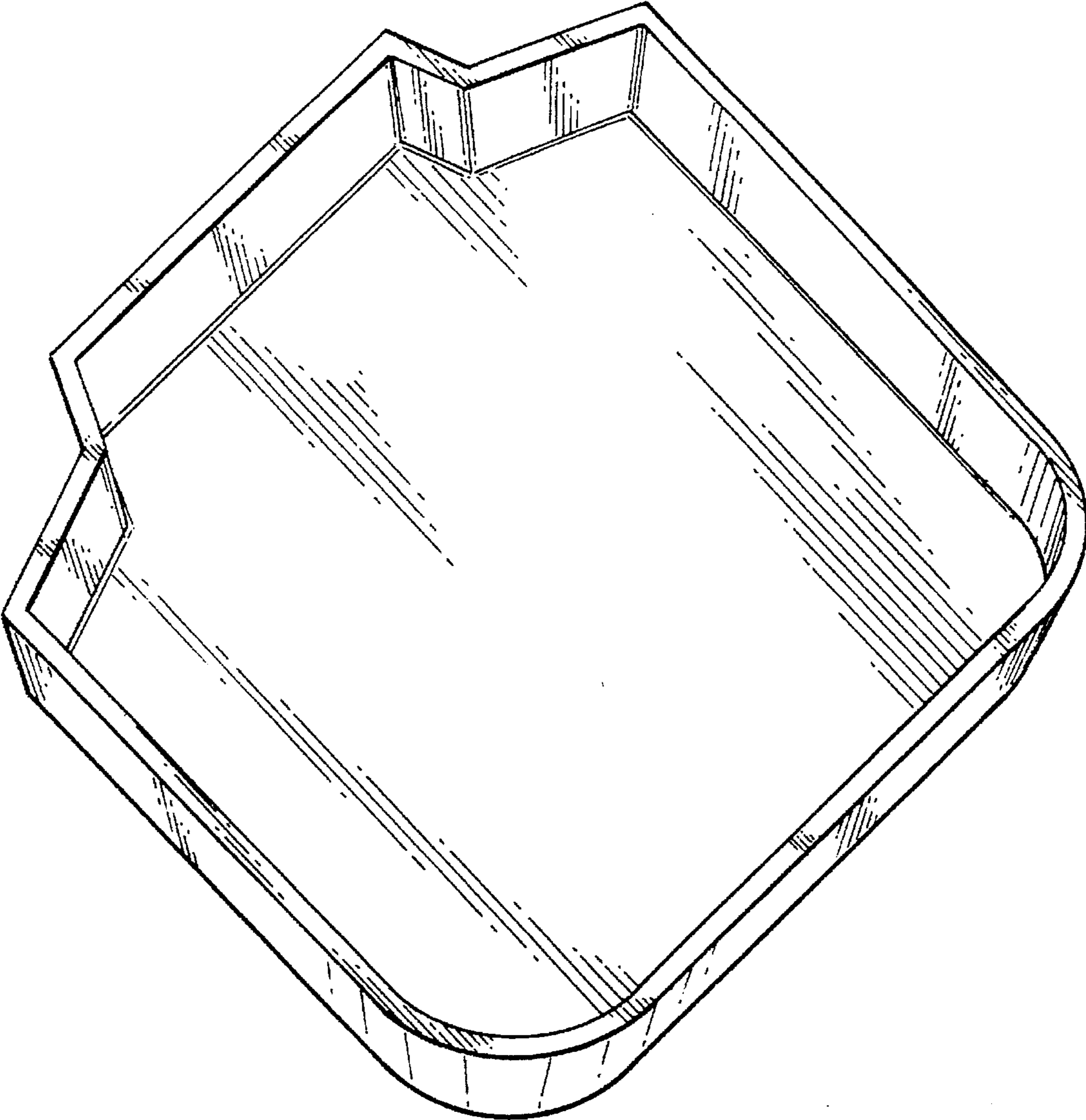


FIG - 2

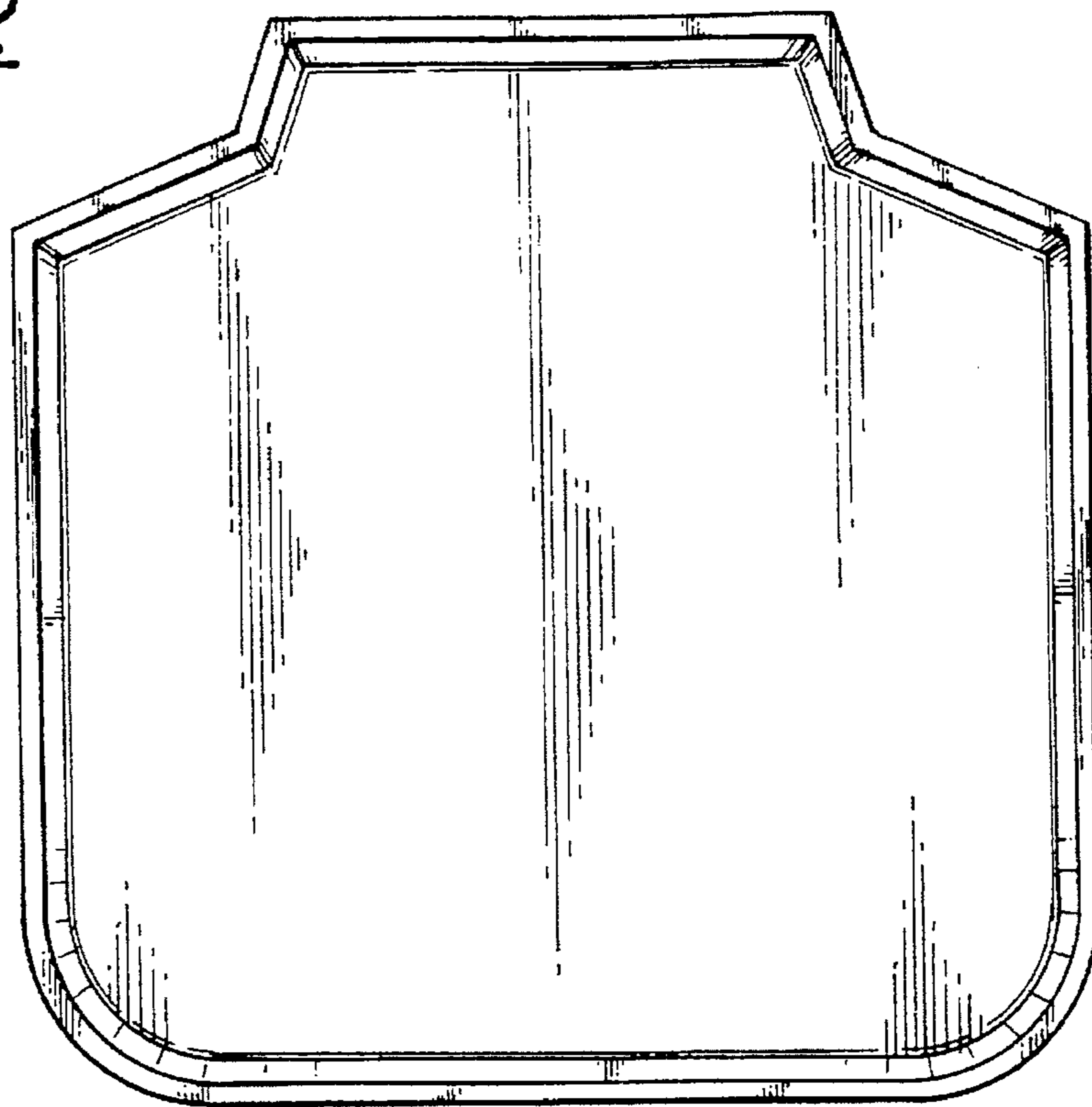


FIG - 3

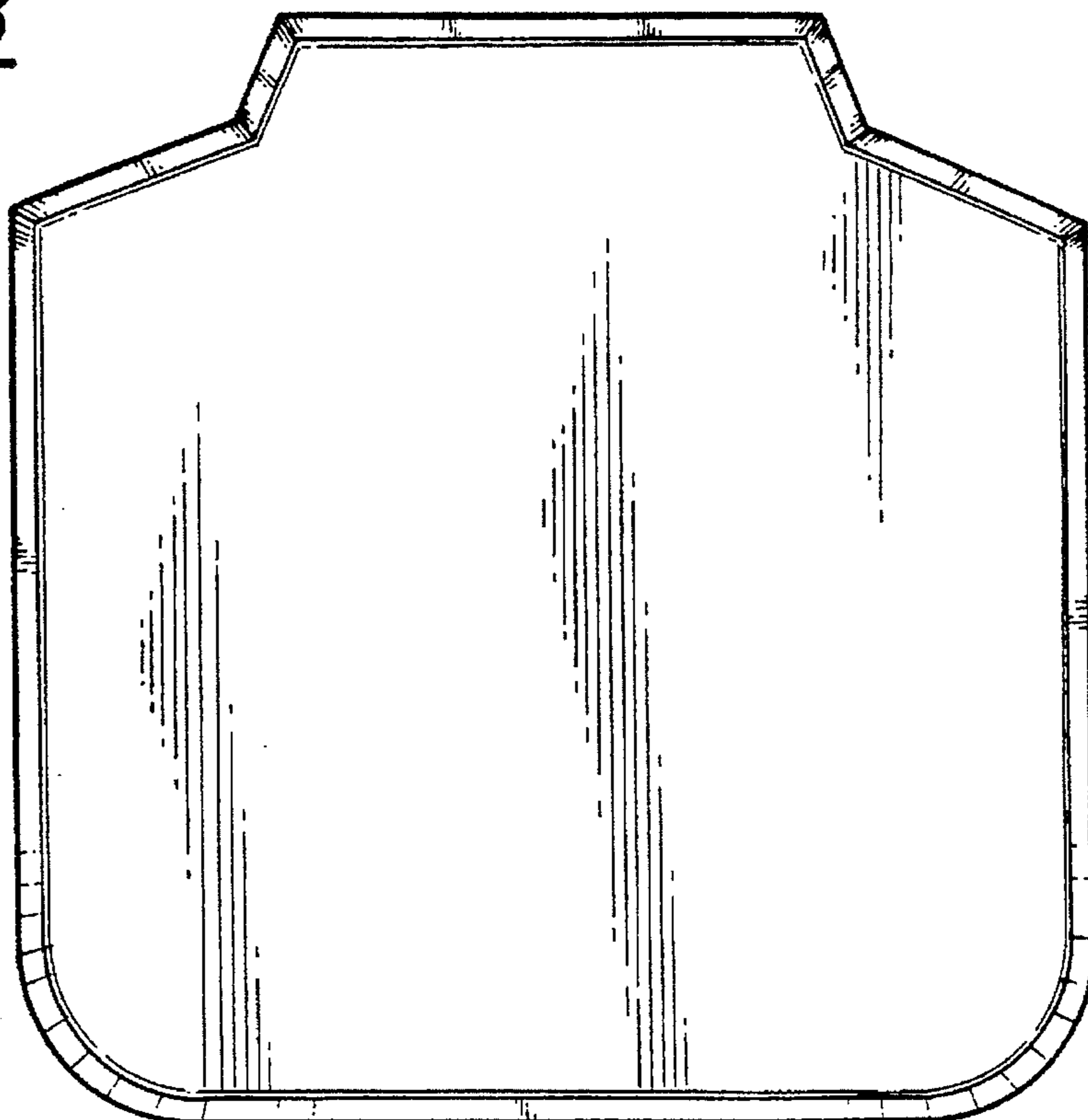


FIG - 4



FIG - 5



FIG - 6



FIG - 7

