

US00D380150S

United States Patent [19]
Kurata

[11] **Patent Number: Des. 380,150**

[45] **Date of Patent: **Jun. 24, 1997**

[54] **BOX FOR PHOTO NEGATIVE CASES**

3-49904 10/1991 Japan .
66613821 4/1968 Netherlands 206/455

[75] Inventor: **Yukiharu Kurata, Yao, Japan**

Primary Examiner—Sandra L. Morris
Assistant Examiner—Nanda Bondade
Attorney, Agent, or Firm—Thompson Hine & Flory P.L.L.

[73] Assignee: **Nakabayashi Co., Ltd., Japan**

[**] Term: **14 Years**

[57] **CLAIM**

[21] Appl. No.: **37,726**

The ornamental design for box for photo negative cases, as shown and described.

[22] Filed: **Apr. 19, 1995**

[30] **Foreign Application Priority Data**

DESCRIPTION

Dec. 6, 1994 [JP] Japan 6-37420

FIG. 1 is a front elevational view of my new box for photo negative cases;

[51] **LOC (6) Cl.** **09-03**

FIG. 2 is a left side elevational view thereof;

[52] **U.S. Cl.** **D9/341**

FIG. 3 is a right side elevational view thereof;

[58] **Field of Search** D9/341; 206/455,
206/461, 528, 559; 220/528, 529

FIG. 4 is a top plan view thereof;

FIG. 5 is a bottom plan view thereof;

FIG. 6 is a cross-sectional view thereof taken along line 6—6 of FIG. 1;

FIG. 7 is a cross-sectional view thereof taken along line 7—7 of FIG. 2;

FIG. 8 is a perspective view thereof; and,

FIG. 9 is a perspective view thereof, with a photo negative case removed from the box for clarity of illustration. The broken line showing of the photo negatives and the human hand is for illustrative purposes only and forms no part of the claimed design.

[56] **References Cited**

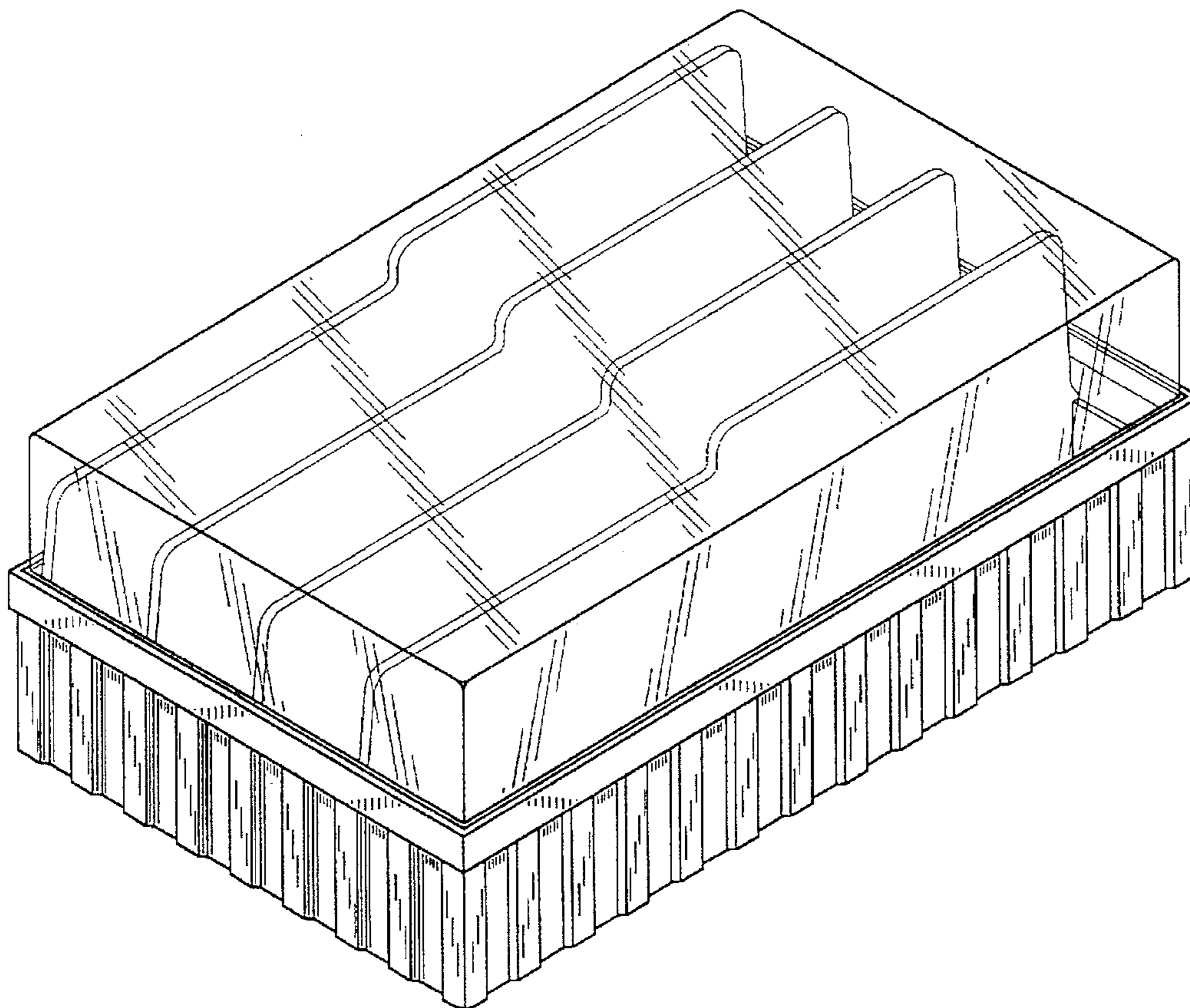
U.S. PATENT DOCUMENTS

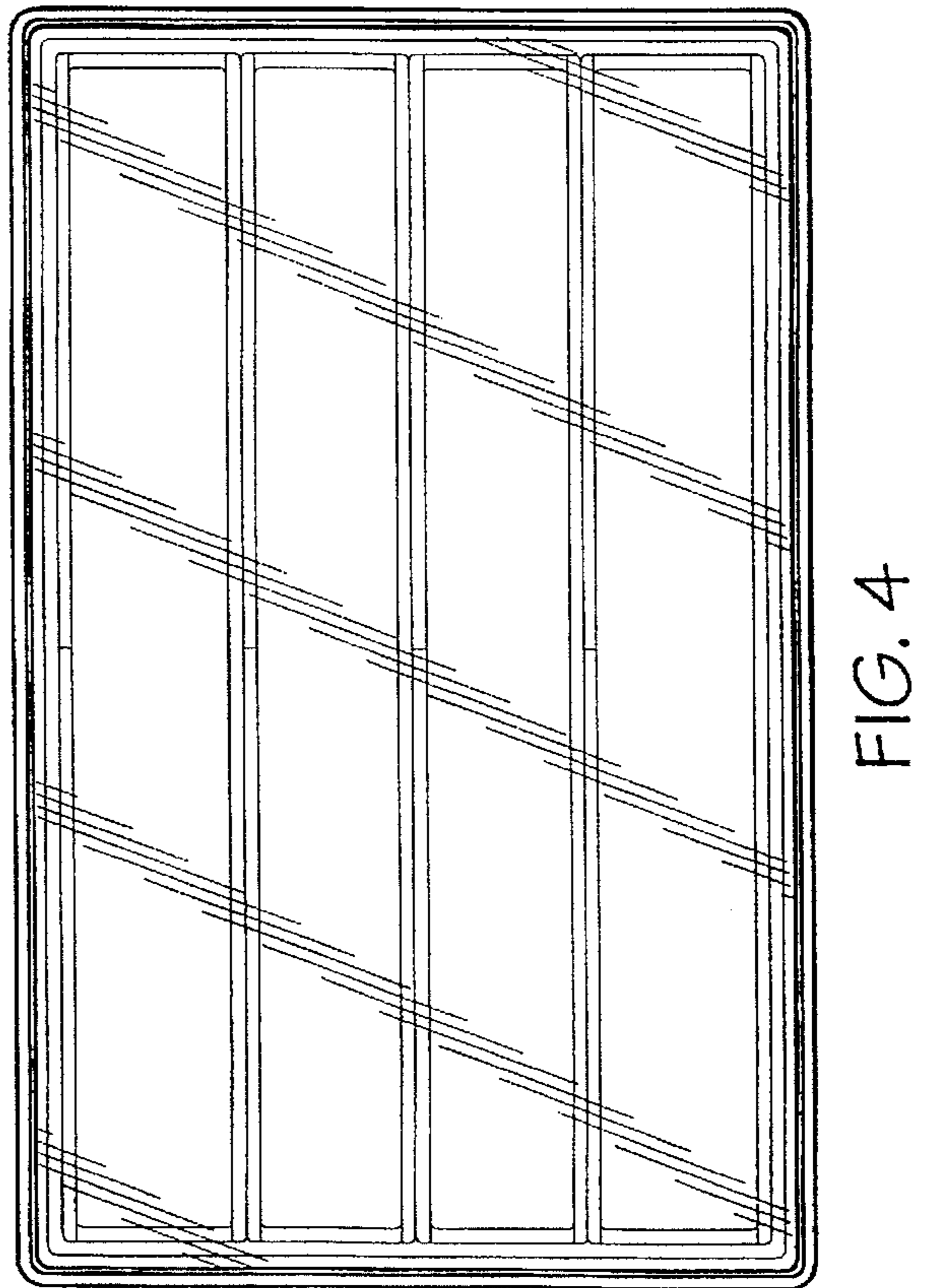
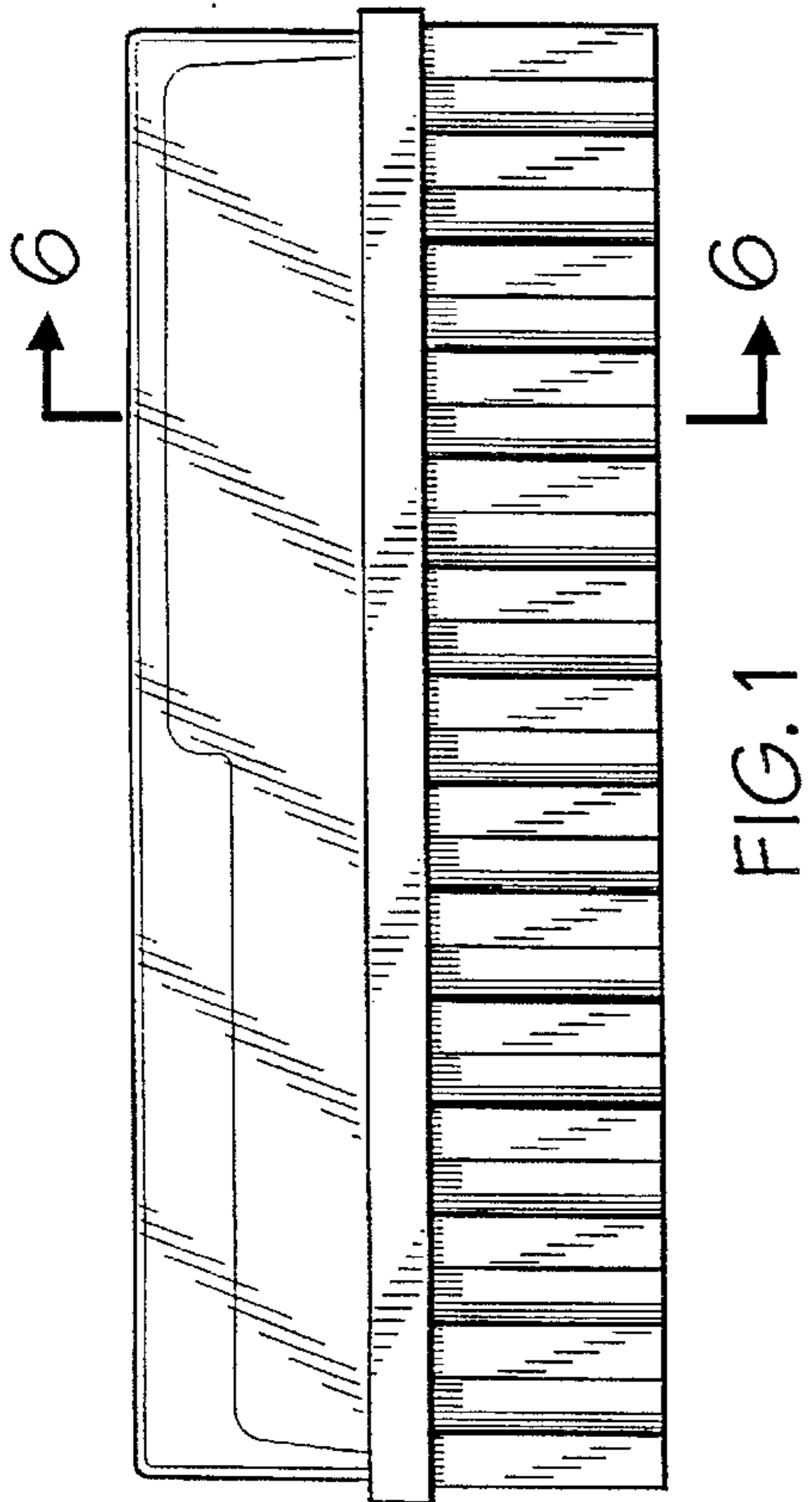
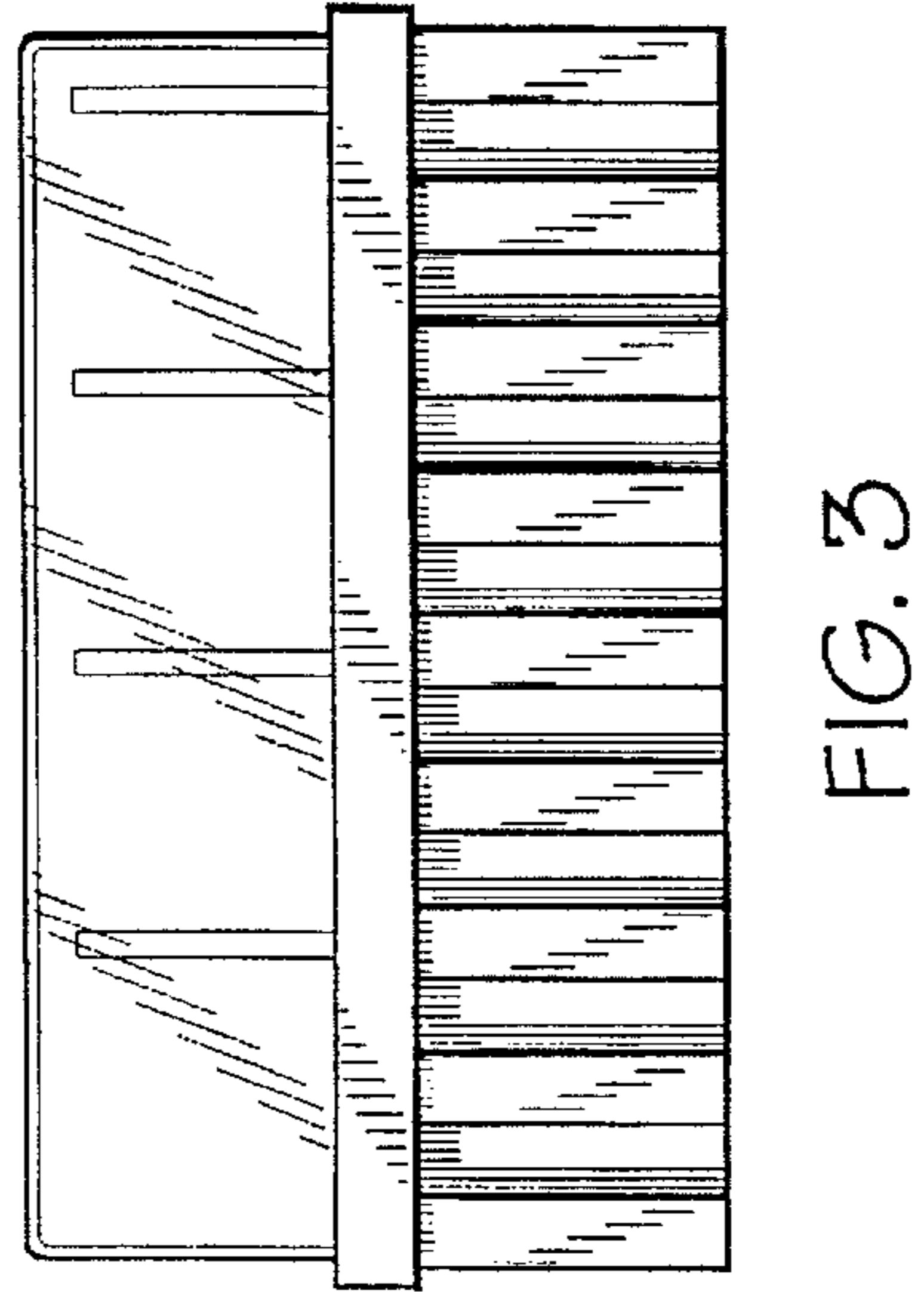
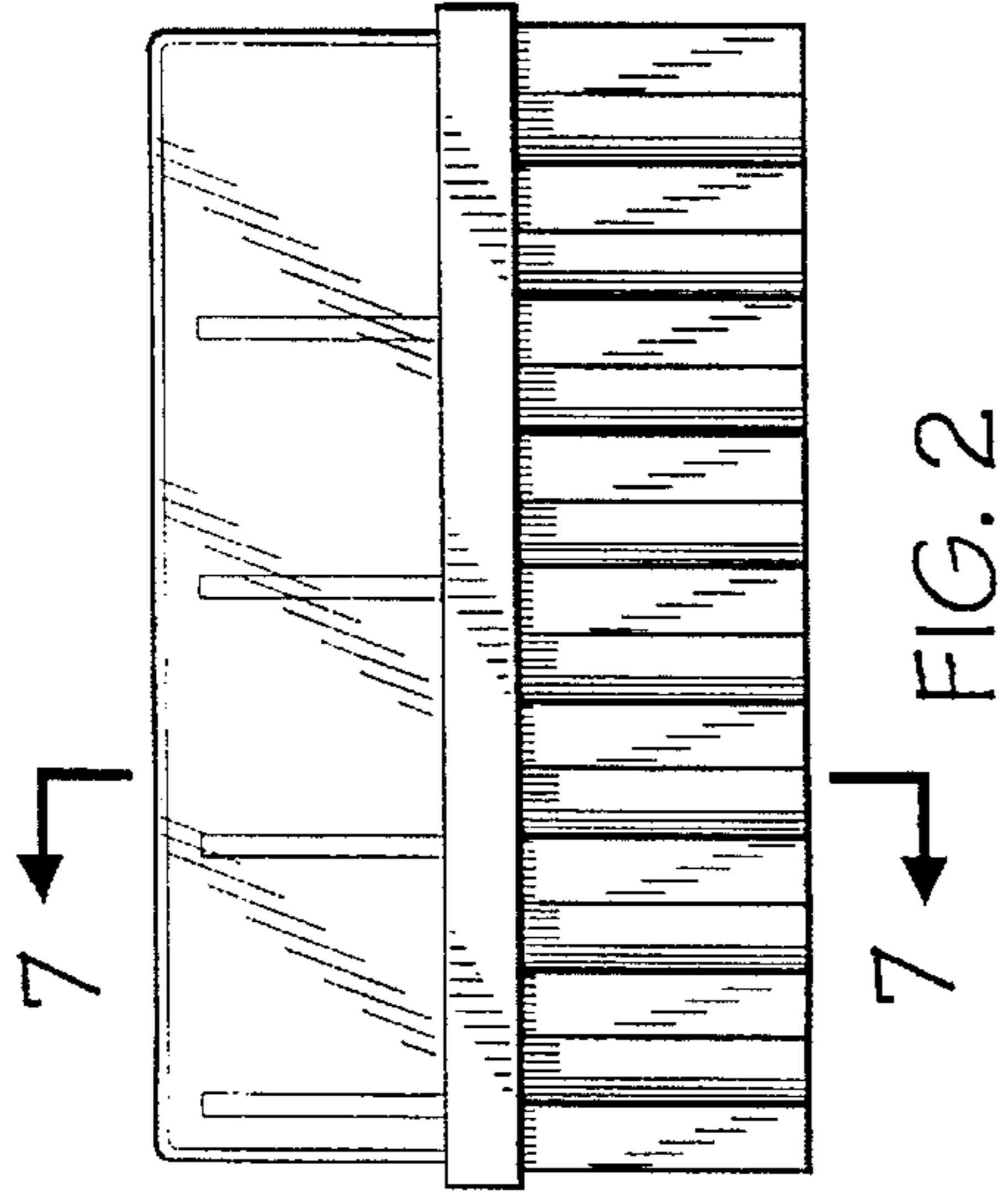
869,614 10/1907 Bennett 206/559 X
1,923,064 8/1933 Bracken 206/559
4,854,464 8/1989 Kim 220/528

FOREIGN PATENT DOCUMENTS

633861 1/1962 Canada 206/455
56-67296 6/1981 Japan .
57-147071 9/1982 Japan .

1 Claim, 4 Drawing Sheets





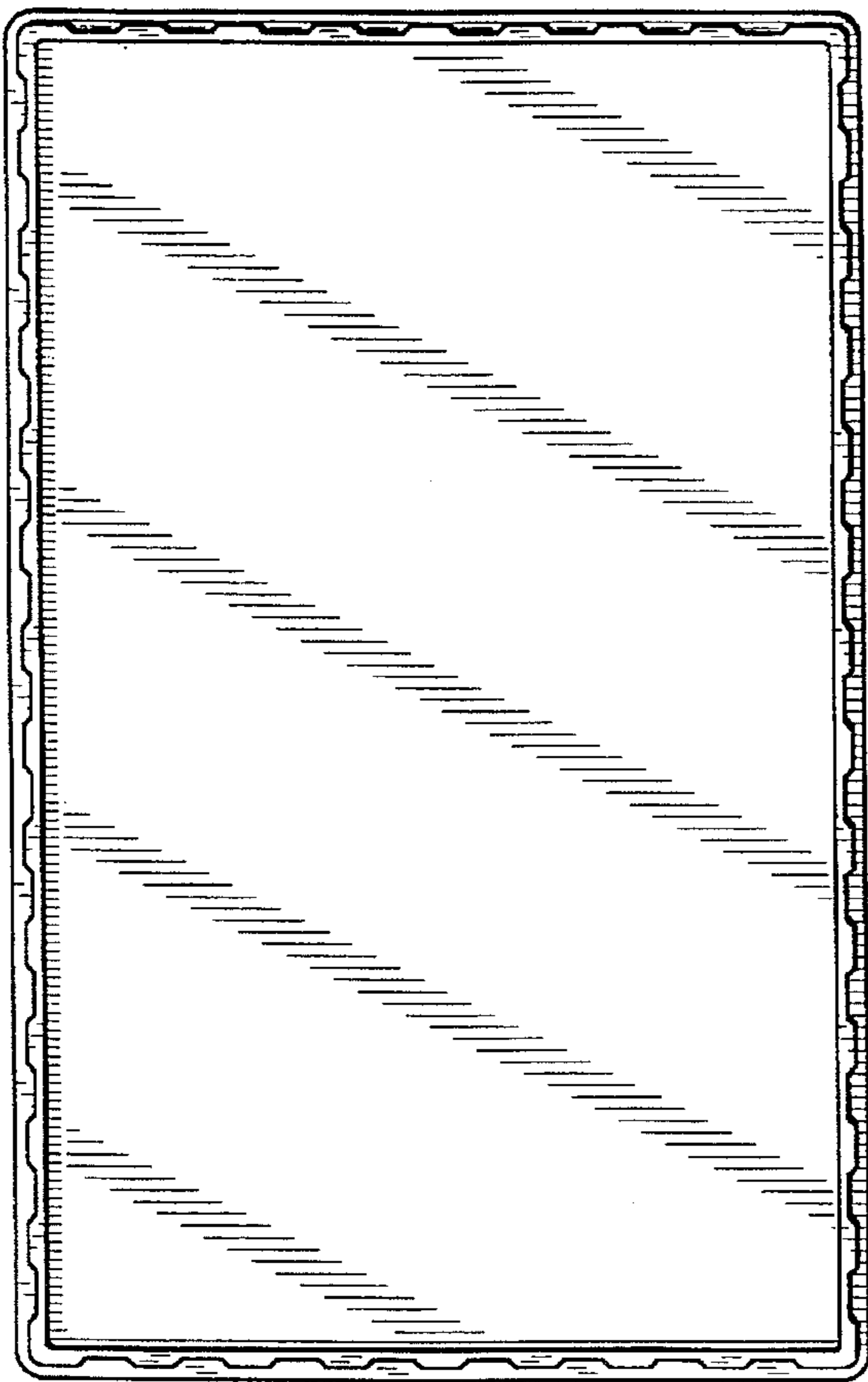


FIG. 5

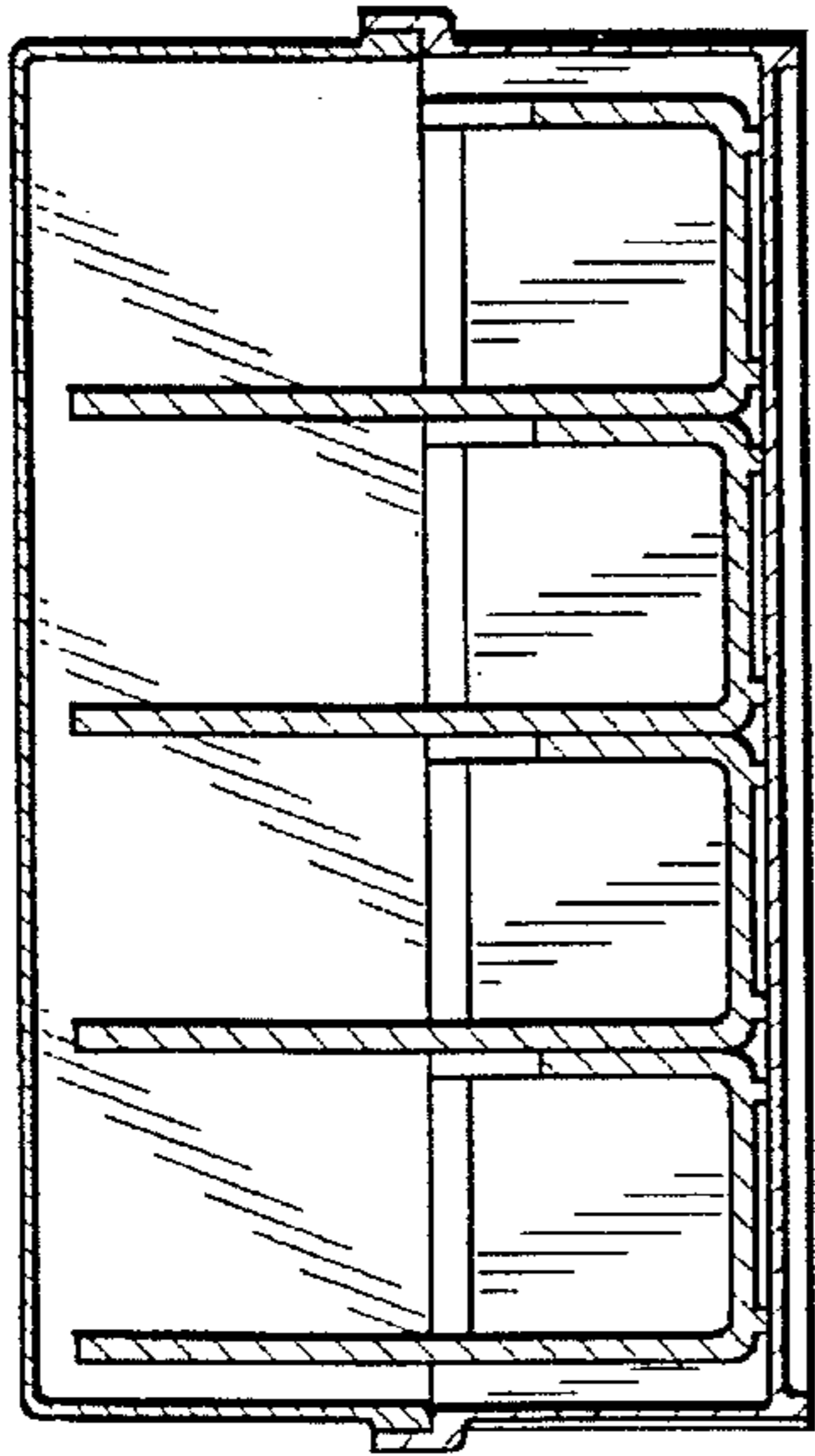


FIG. 6

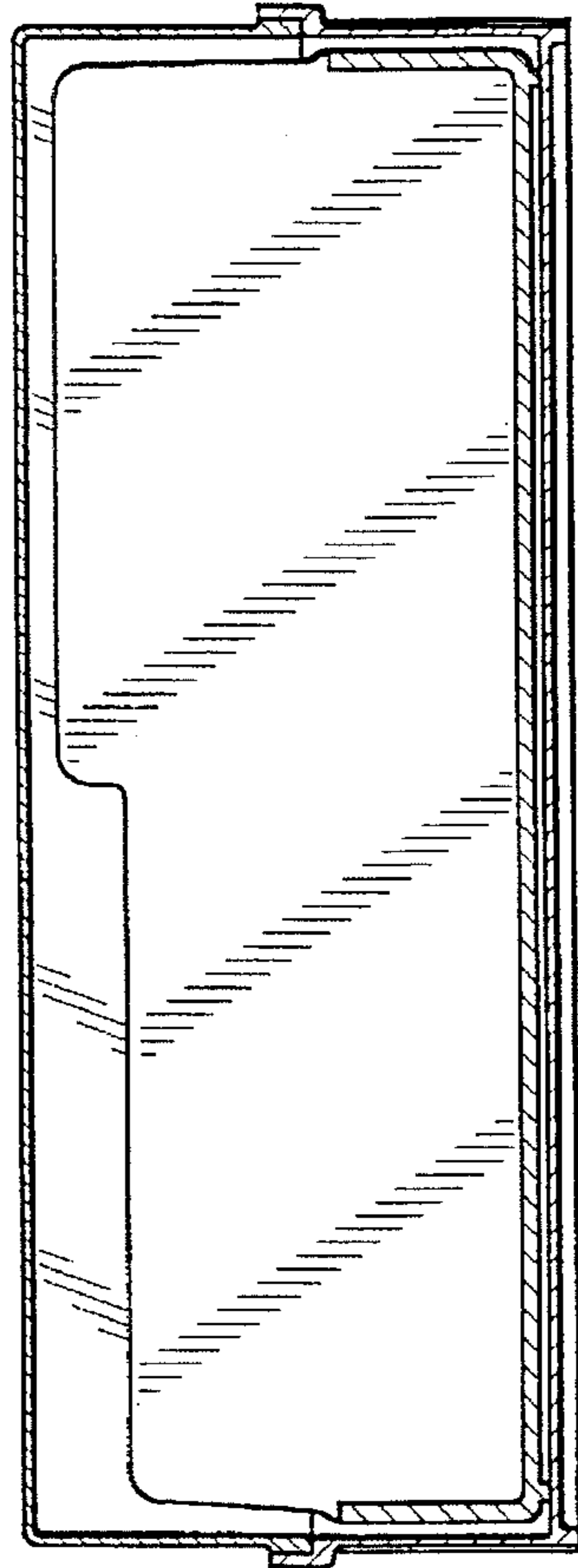


FIG. 7

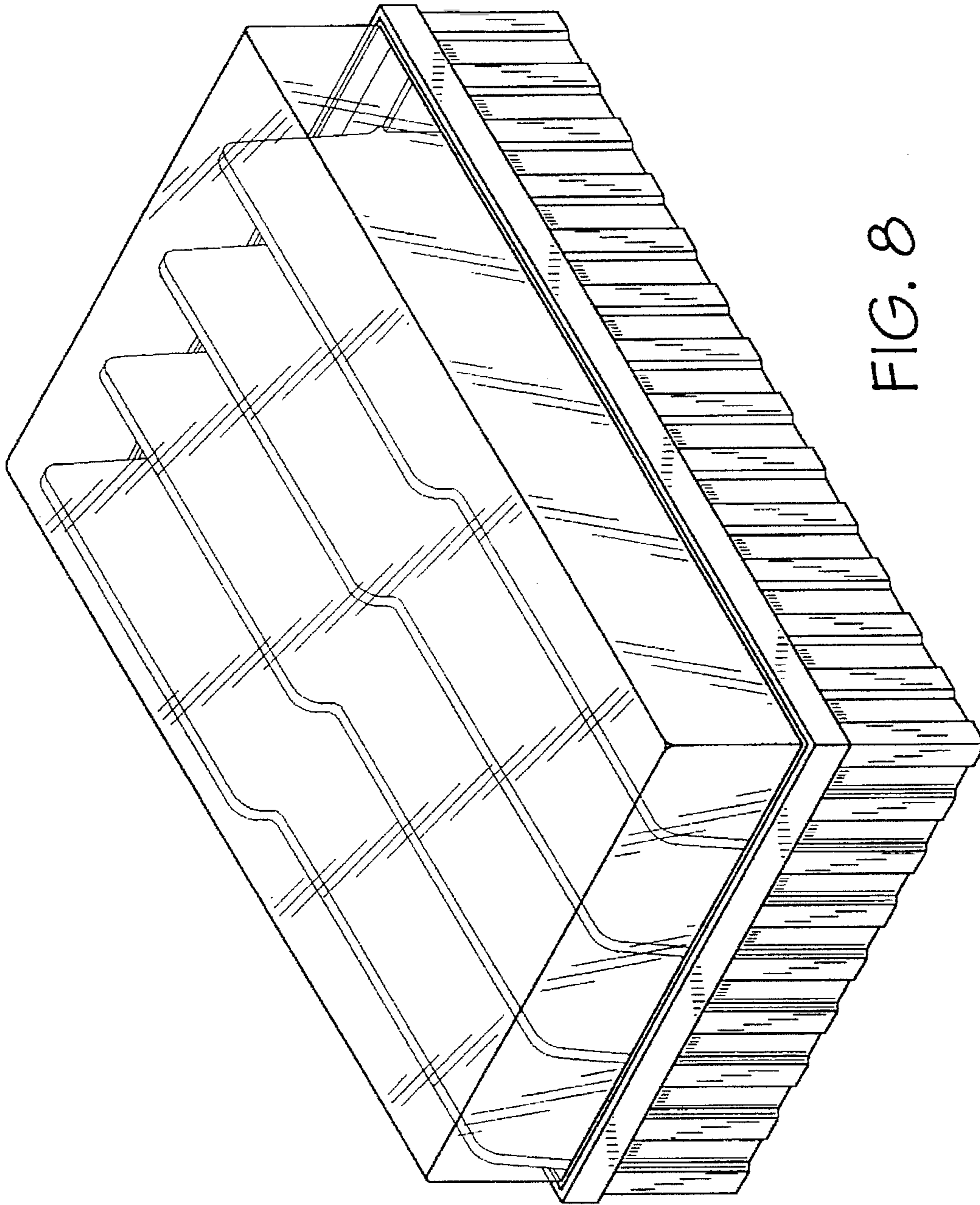


FIG. 8

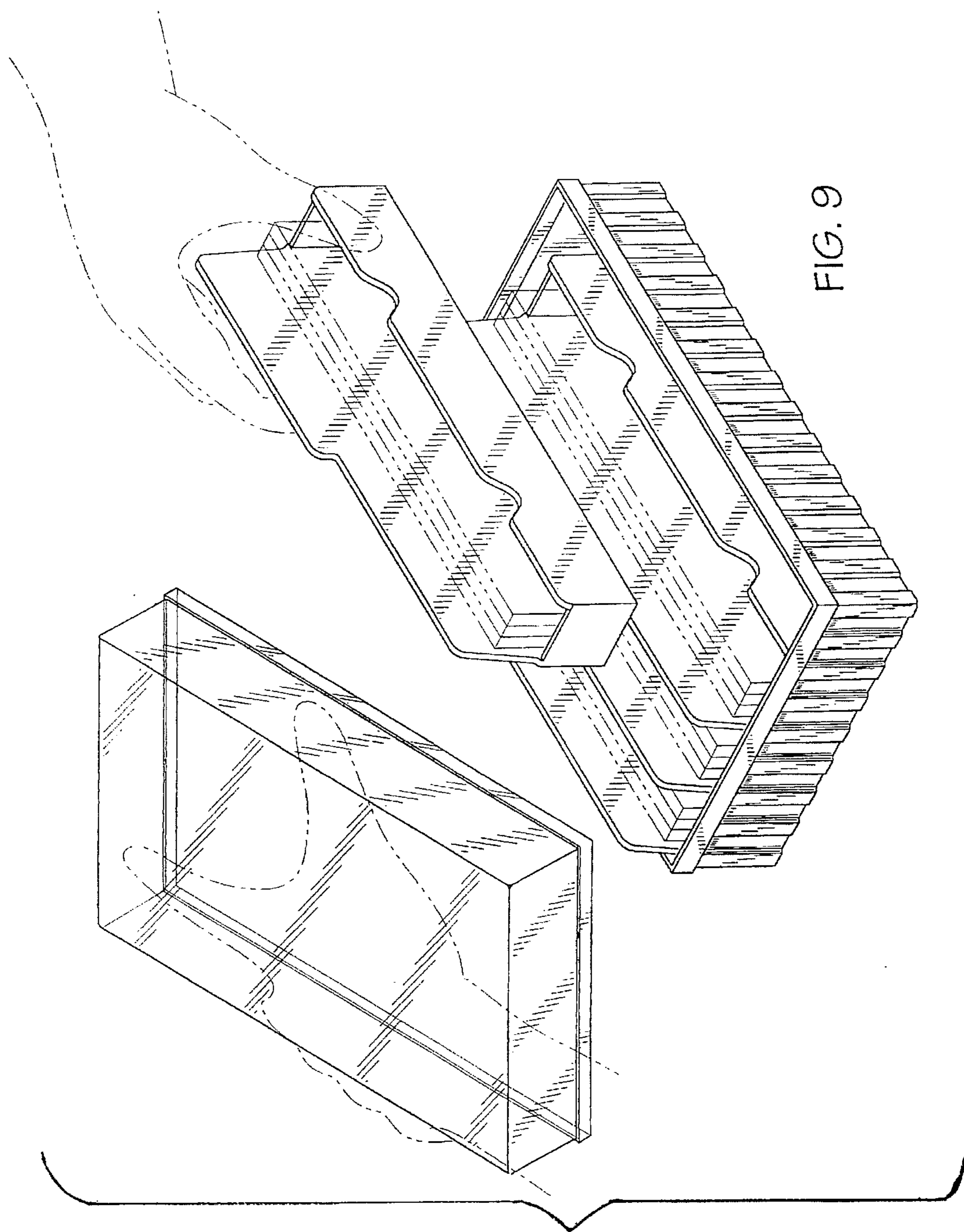


FIG. 9