



US00D380149S

United States Patent [19]
Alexander

[11] **Patent Number: Des. 380,149**

[45] **Date of Patent: **Jun. 24, 1997**

[54] **DISPENSER**

[76] **Inventor: Eleanor Alexander, P.O. Box 34366,
Station D., Vancouver, British
Columbia, Canada, V6J 4P3**

[**] **Term: 14 Years**

[21] **Appl. No.: 35,848**

[22] **Filed: Mar. 8, 1995**

[51] **LOC (6) Cl. 09-03**

[52] **U.S. Cl. D9/339; D9/341**

[58] **Field of Search D9/339, 341, 414-418,
D9/422, 424, 337; 206/528, 533, 538, 828**

[56] **References Cited**

U.S. PATENT DOCUMENTS

D. 279,258 6/1985 Curtis D9/339
D. 328,703 8/1992 Klumpyan D9/339

D. 335,081 4/1993 Pierantozzi et al. D9/341
3,495,567 2/1970 Hayes et al. 206/533 X
4,706,815 11/1987 Curtis et al. 206/533 X
5,154,296 10/1992 Cutler 206/533 X

Primary Examiner—Prabhakar G. Deshmukh

Assistant Examiner—Cheri Cohen

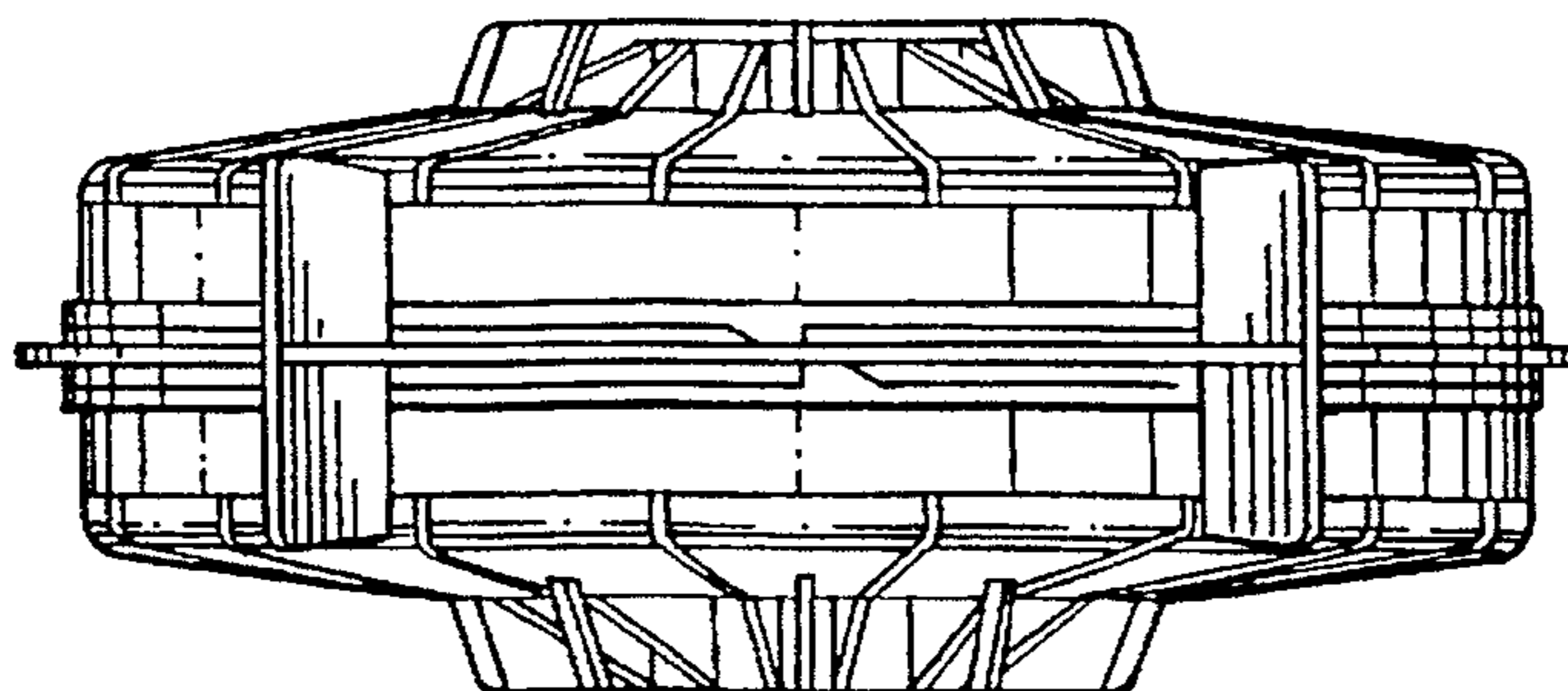
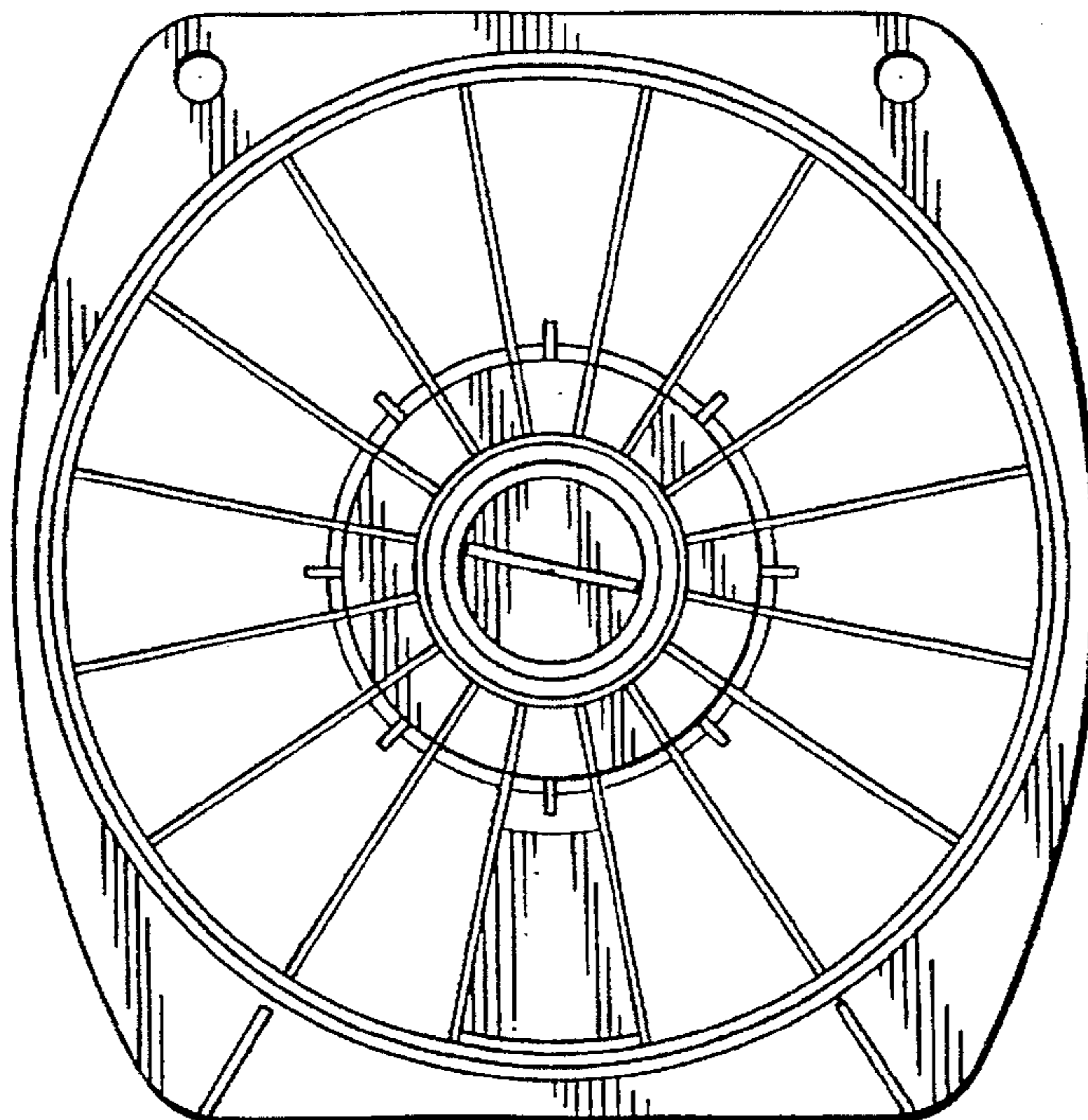
[57] **CLAIM**

The ornamental design for a dispenser, as shown and described.

DESCRIPTION

FIG. 1 is a top plan view of a dispenser showing my new design, the opposite side being identical;
FIG. 2 is a right side elevation view thereof, the opposite side being identical;
FIG. 3 is a front elevation view thereof; and,
FIG. 4 is a rear elevation view thereof.

1 Claim, 2 Drawing Sheets



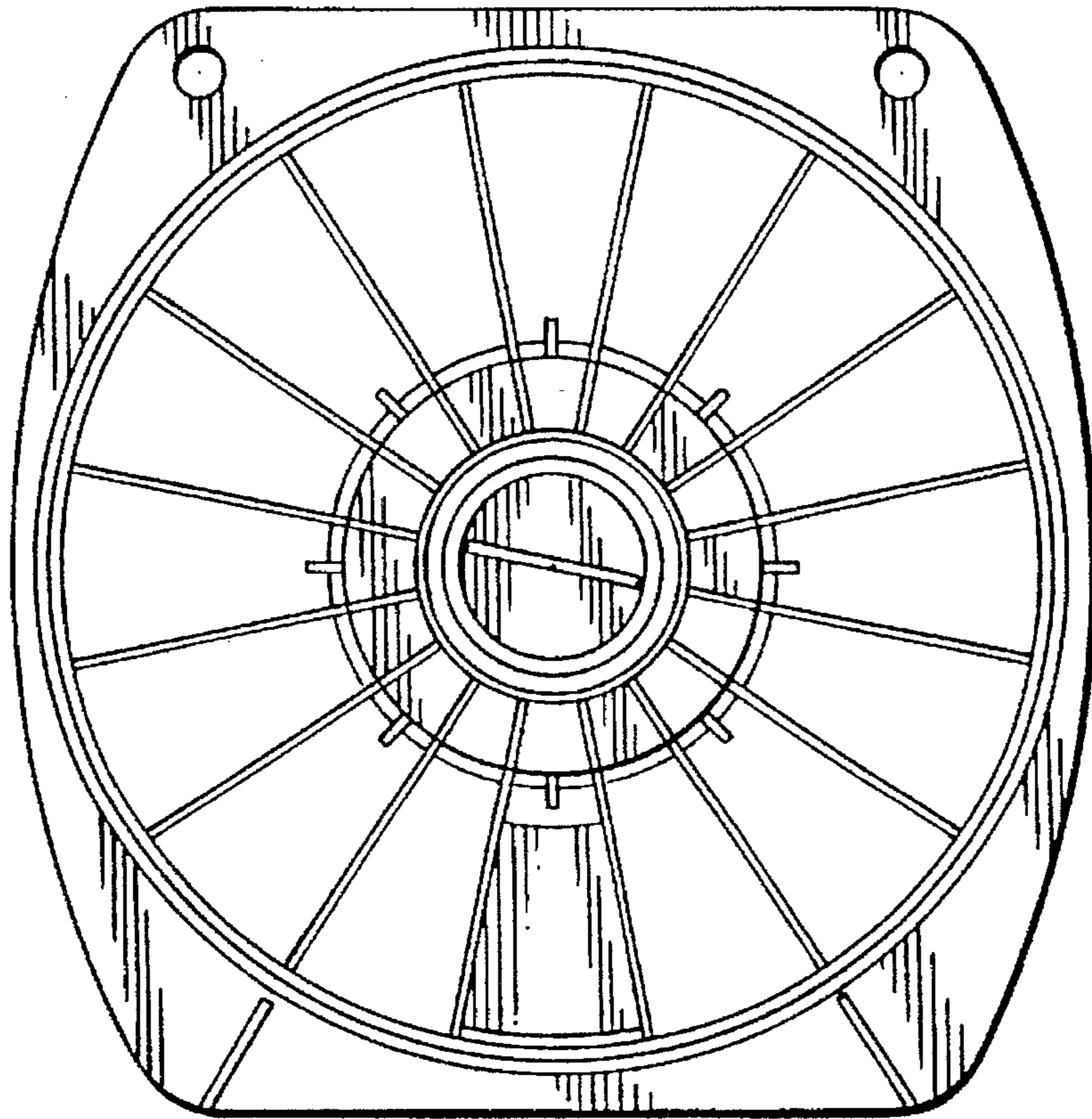


FIG. 1

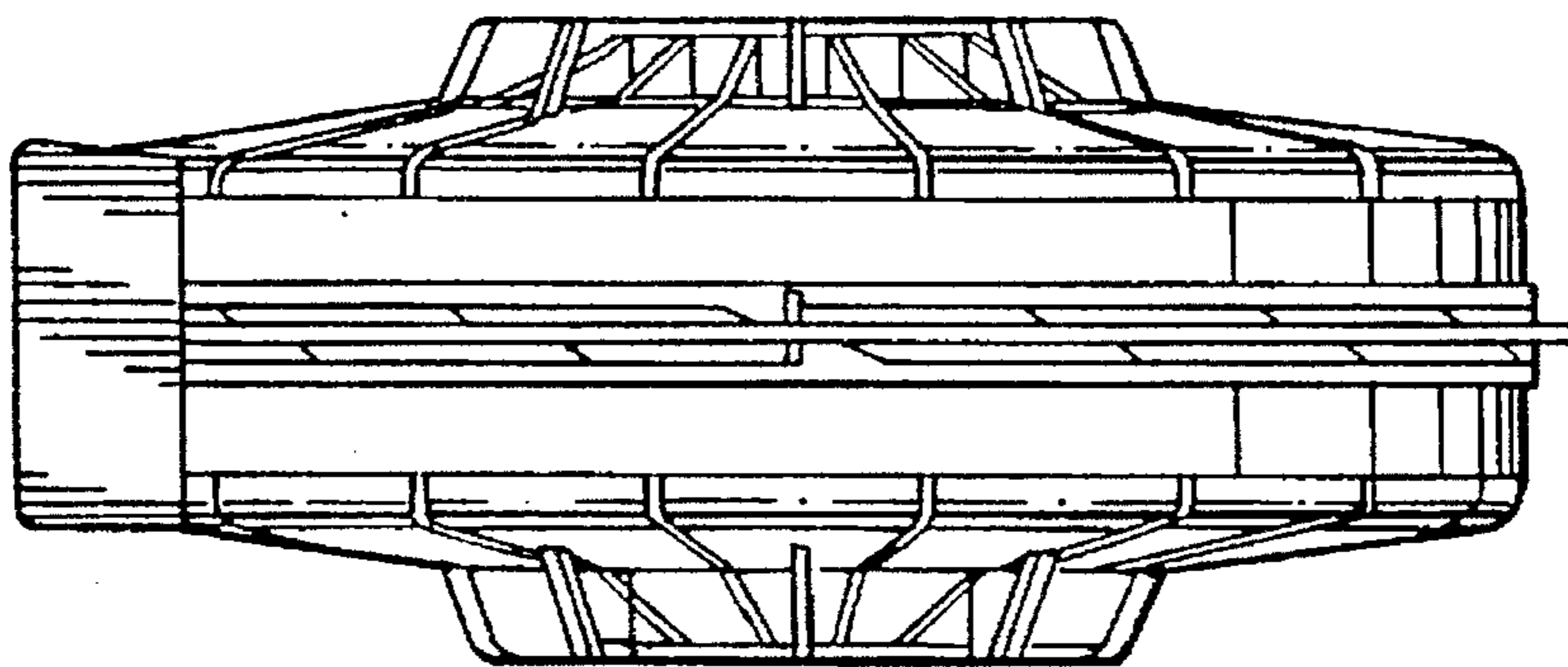


FIG. 2

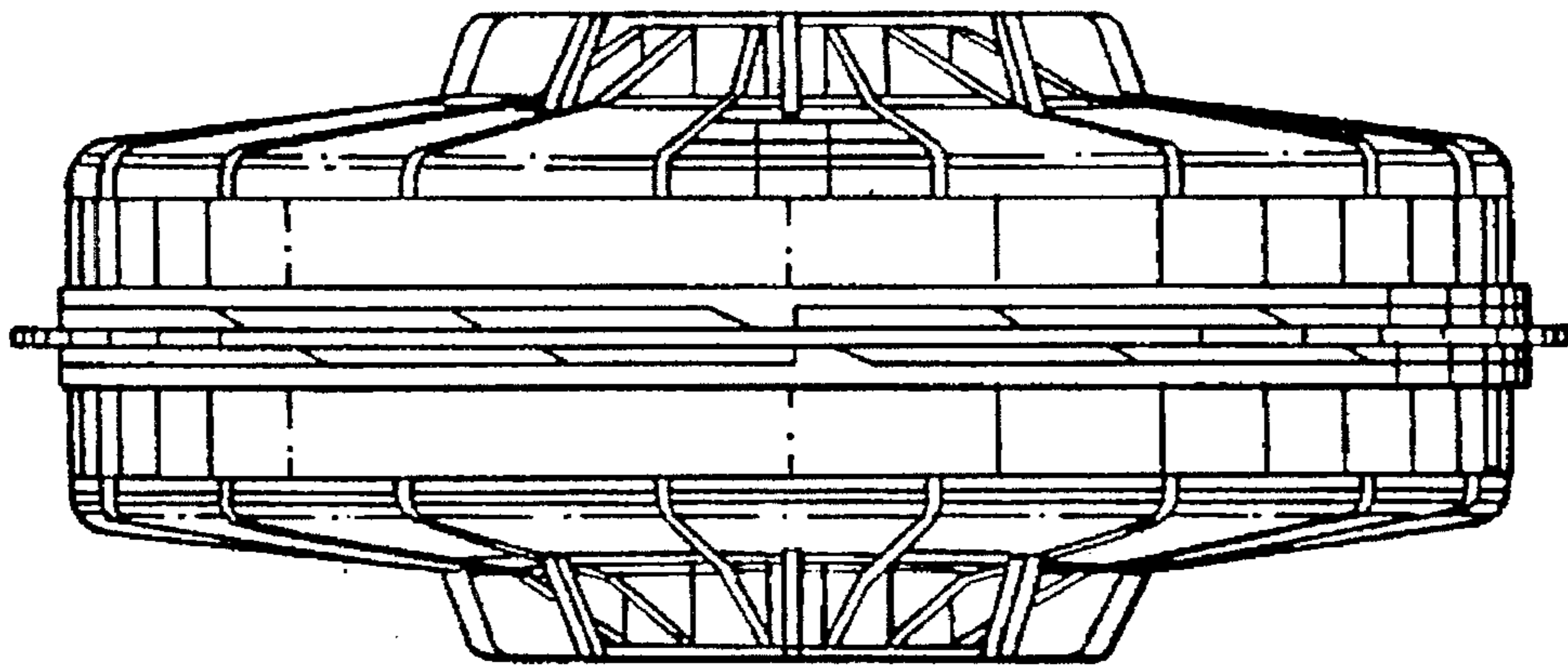


FIG. 3

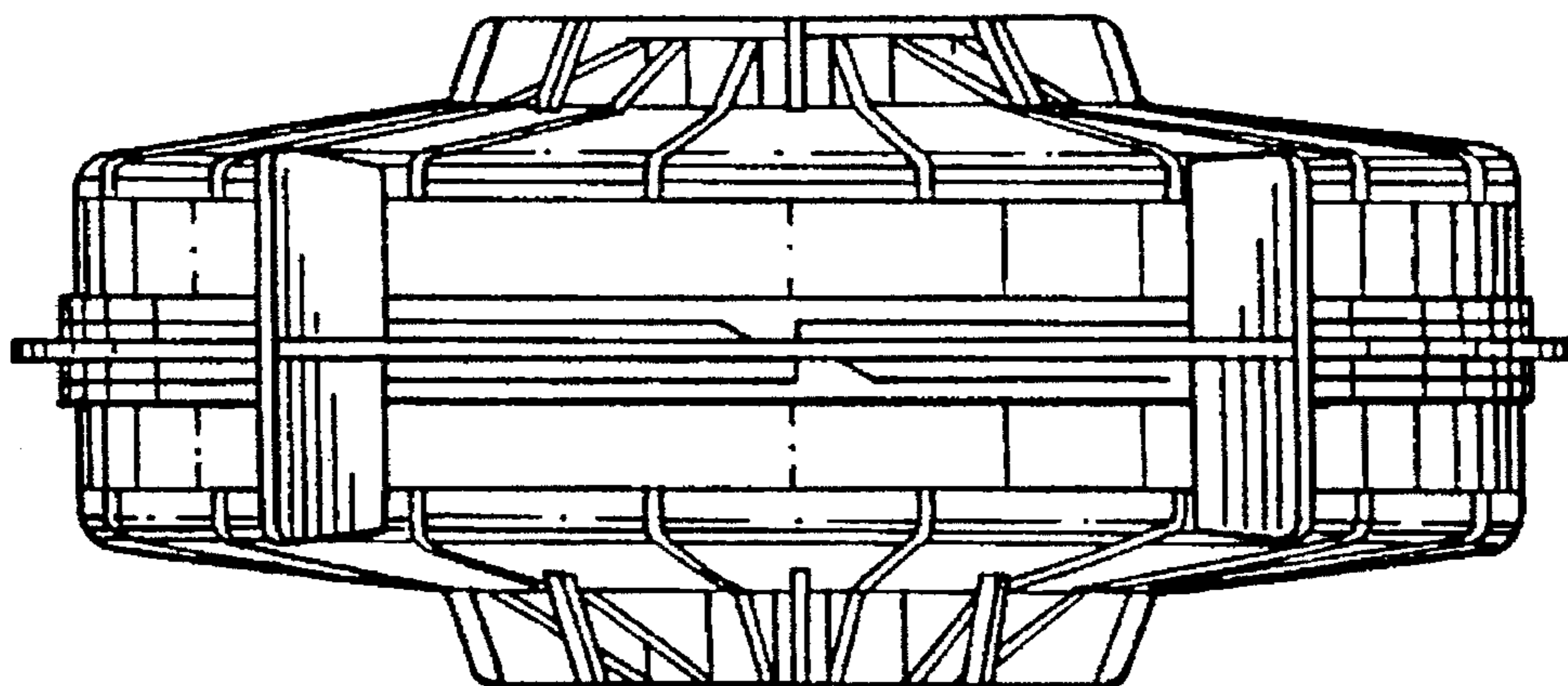


FIG. 4