



US00D380145S

United States Patent [19]
Rumpel

[11] **Patent Number: Des. 380,145**

[45] **Date of Patent: **Jun. 24, 1997**

[54] **CLIP FOR MINI CHRISTMAS LIGHTS**

[76] **Inventor: Donald Rumpel, HC-01 Box 216, Kellogg, Id. 83837**

[**] **Term: 14 Years**

[21] **Appl. No.: 52,873**

[22] **Filed: Apr. 11, 1996**

[51] **LOC (6) Cl. 08-08**

[52] **U.S. Cl. D8/395; D26/138**

[58] **Field of Search D8/356, 395, 382; D26/138; 248/65, 74.1-74.4, 229; 24/339, 336; 362/396-398**

[56] **References Cited**

U.S. PATENT DOCUMENTS

D. 241,314	9/1976	Hug	D8/395
D. 248,347	7/1978	McCollum	D8/395 X
D. 253,457	11/1979	Sandel	D8/395
D. 270,329	8/1983	Hardy	D8/395
D. 361,506	8/1995	Rumpel	D8/395
3,228,640	1/1966	Wolsh	248/72
3,259,347	7/1966	Yates	248/73
3,353,567	11/1967	Isreeli	D8/395 X

3,983,602	10/1976	Barry	24/11 R
4,002,349	1/1977	Dopp	280/11.37
4,193,572	3/1980	Horiuchi et al.	248/535
4,292,749	10/1981	Thomas	40/308
5,288,047	2/1994	Pan	248/229
5,463,855	11/1995	Johnson et al.	D8/395 X

Primary Examiner—Holly H. Baynham
Attorney, Agent, or Firm—Wells, St. John, Roberts, Gregory & Matkin, P.S.

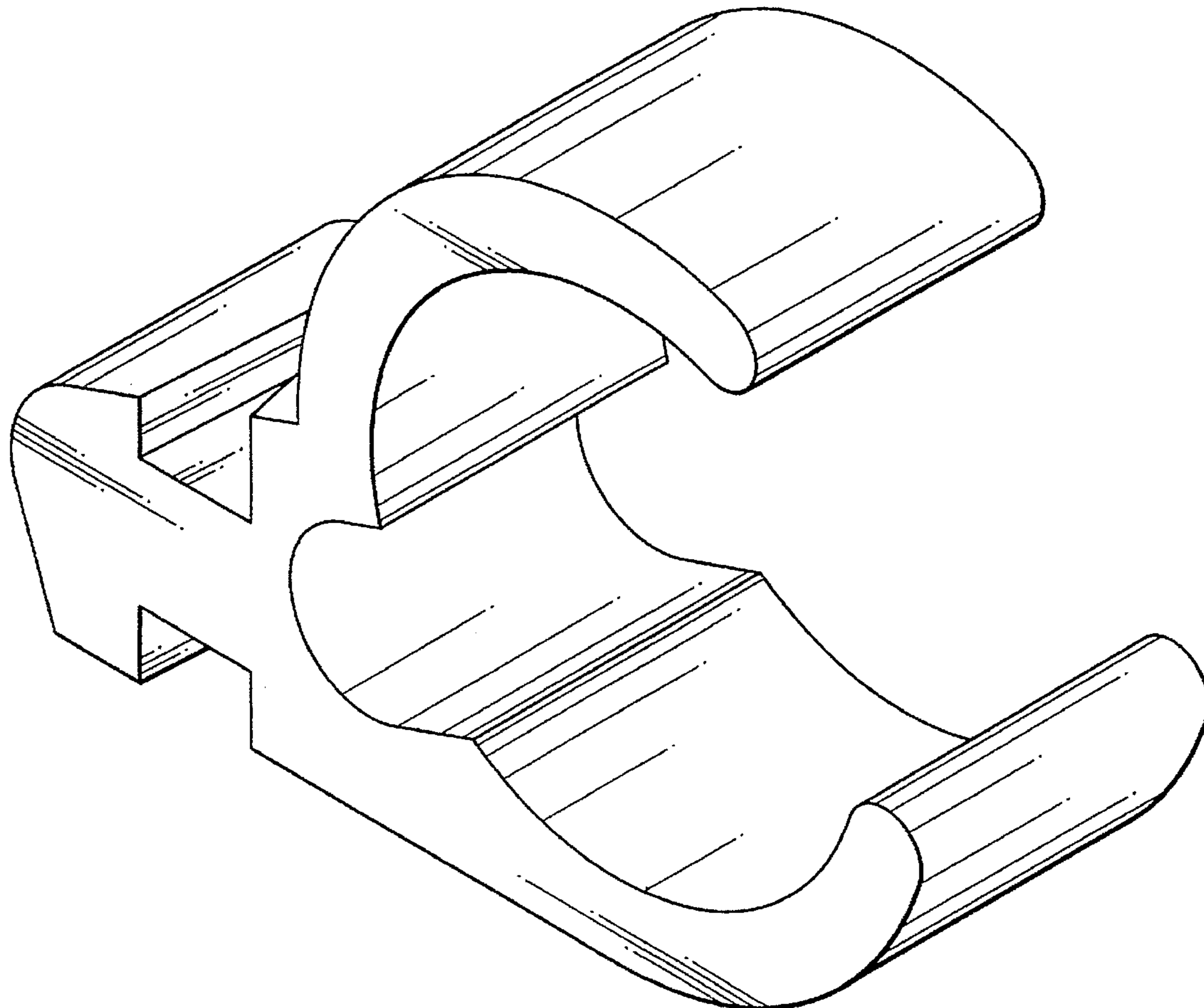
[57] **CLAIM**

The ornamental design for a clip for mini christmas lights, as shown and described.

DESCRIPTION

FIG. 1 is a perspective view of a clip for mini christmas lights showing my new design;
FIG. 2 is a right side elevation view thereof;
FIG. 3 is a left side elevation view thereof;
FIG. 4 is a top plan view thereof;
FIG. 5 is a bottom plan view thereof;
FIG. 6 is a front end view thereof; and,
FIG. 7 is a rear end view thereof.

1 Claim, 4 Drawing Sheets



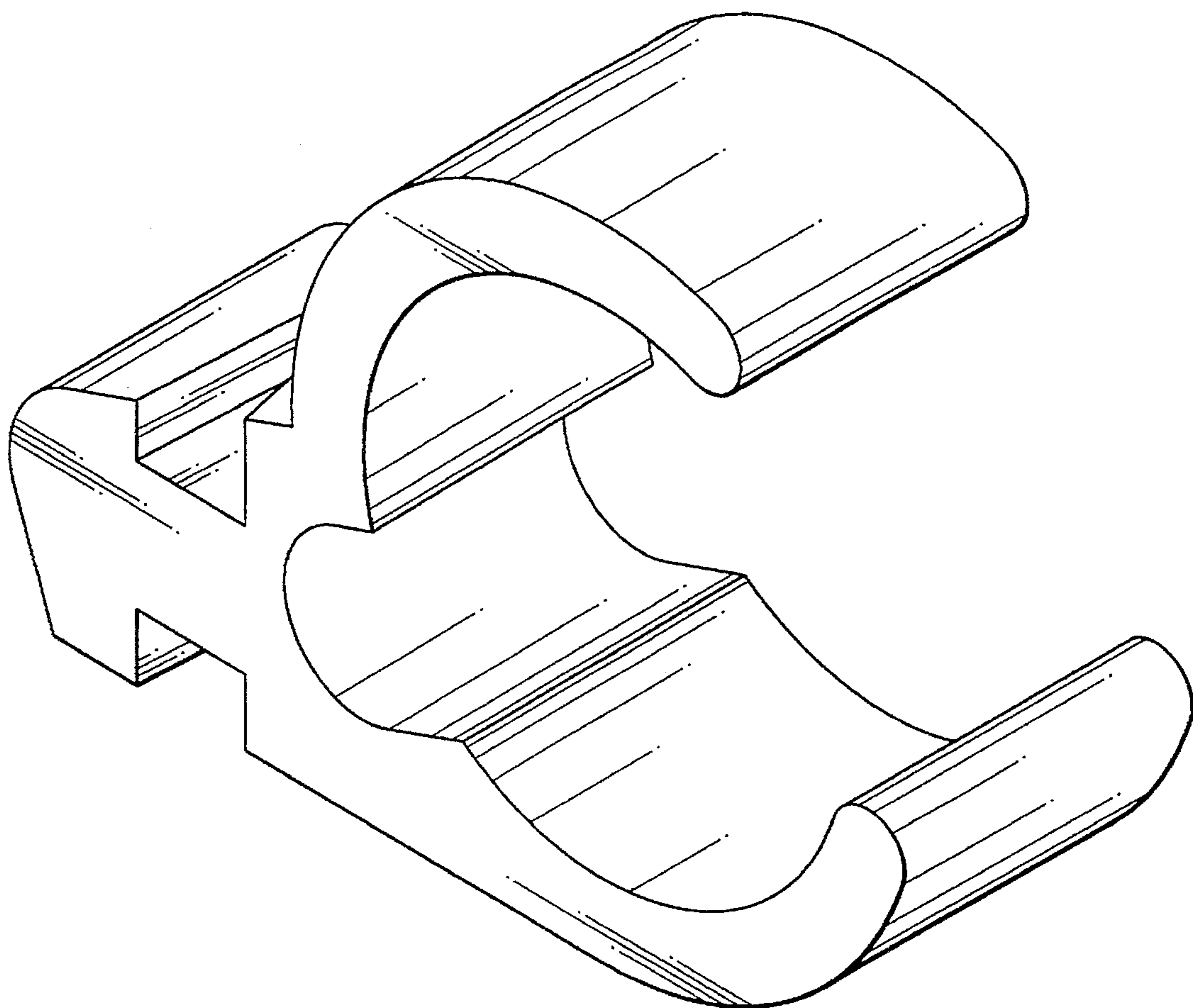
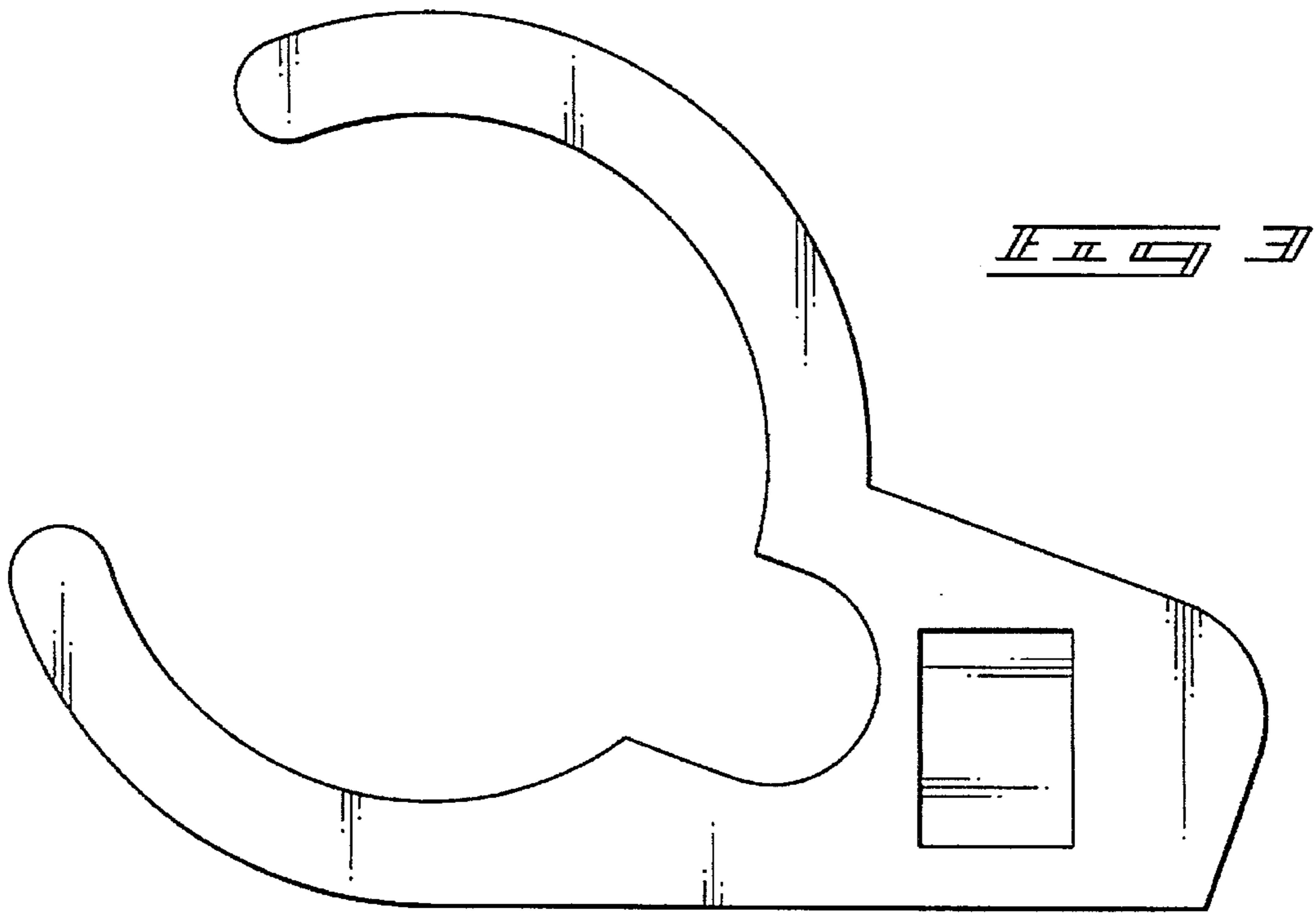
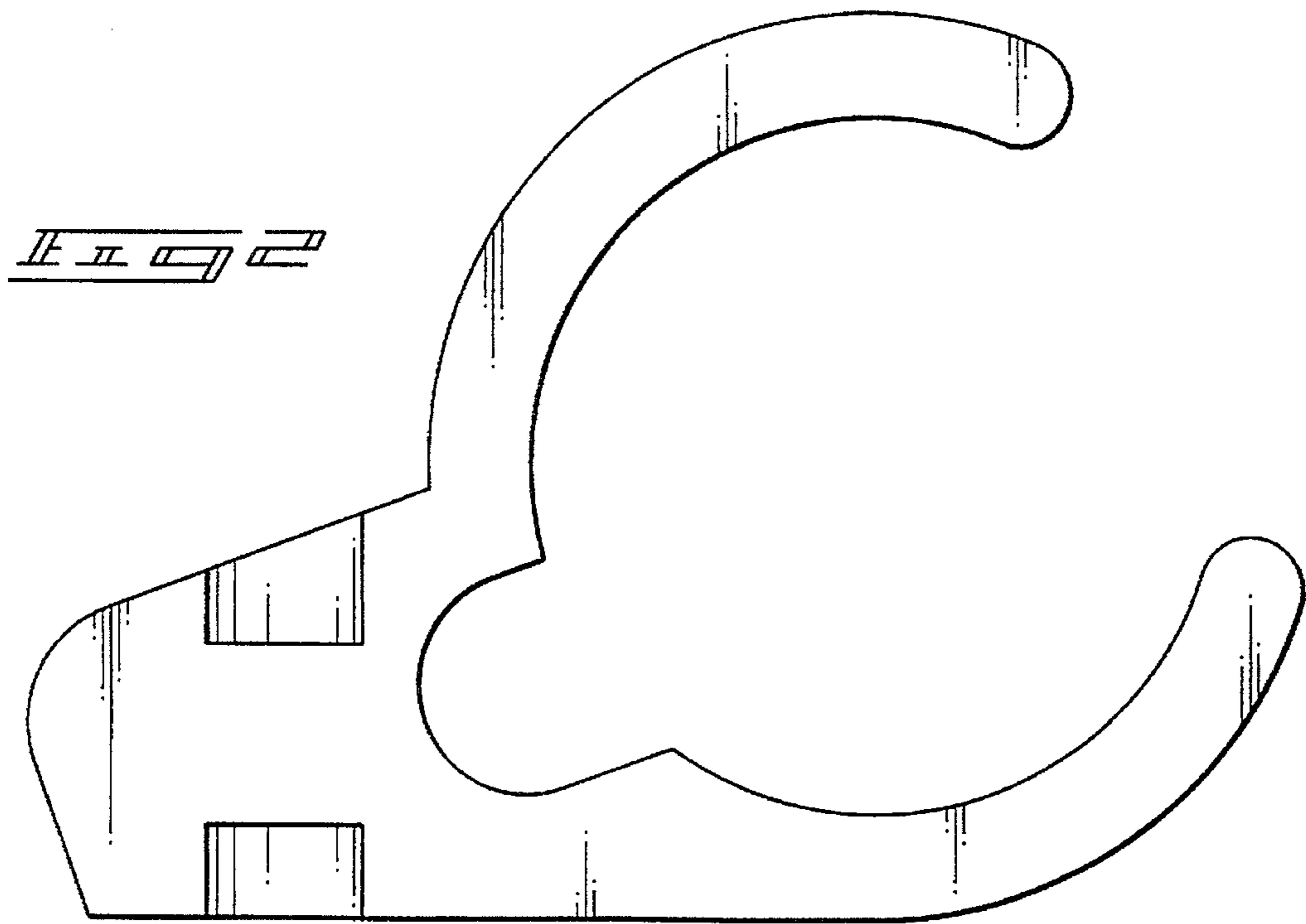


FIG. 1



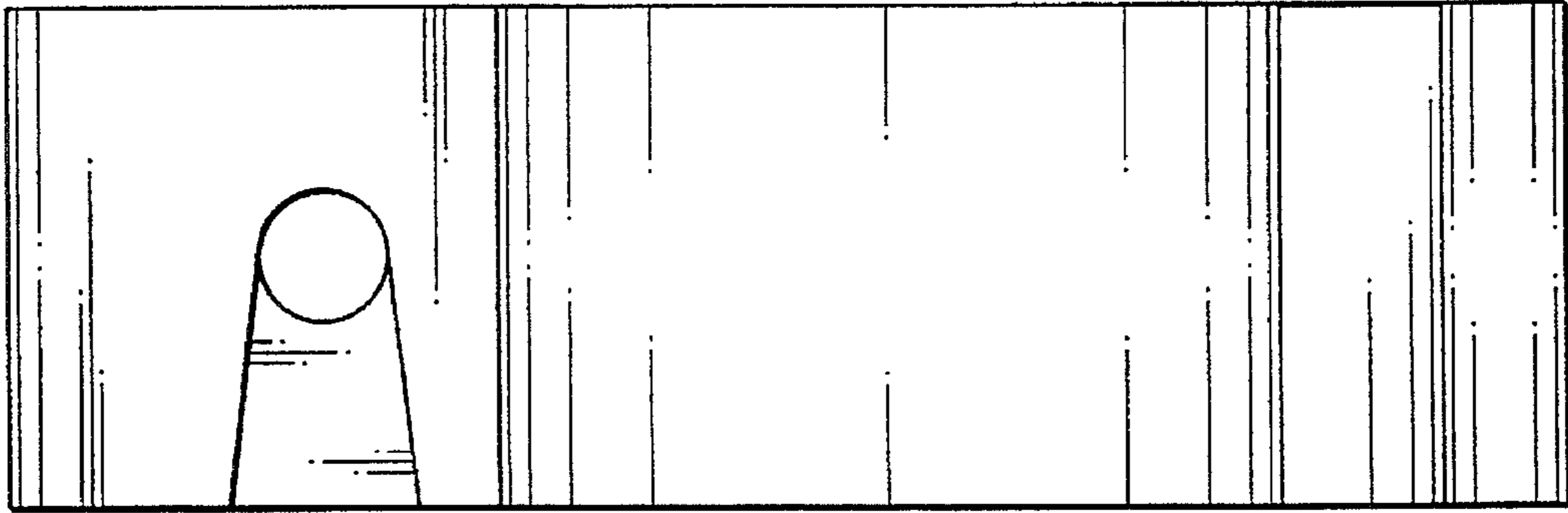


Fig. 4

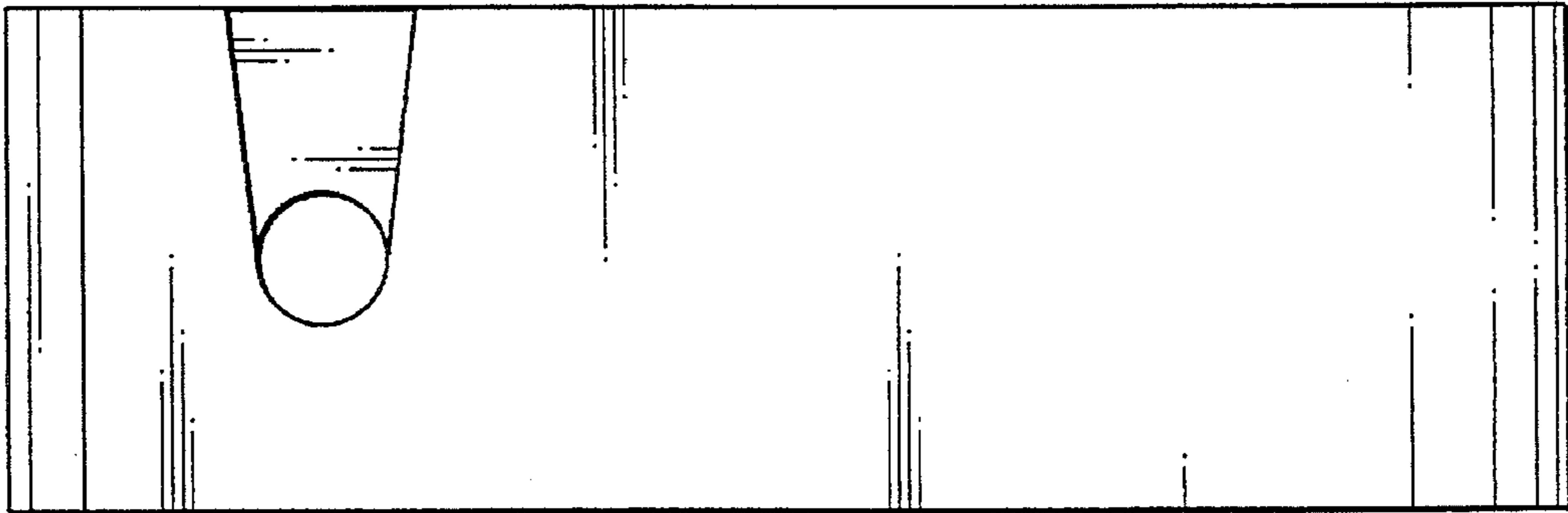


Fig. 5

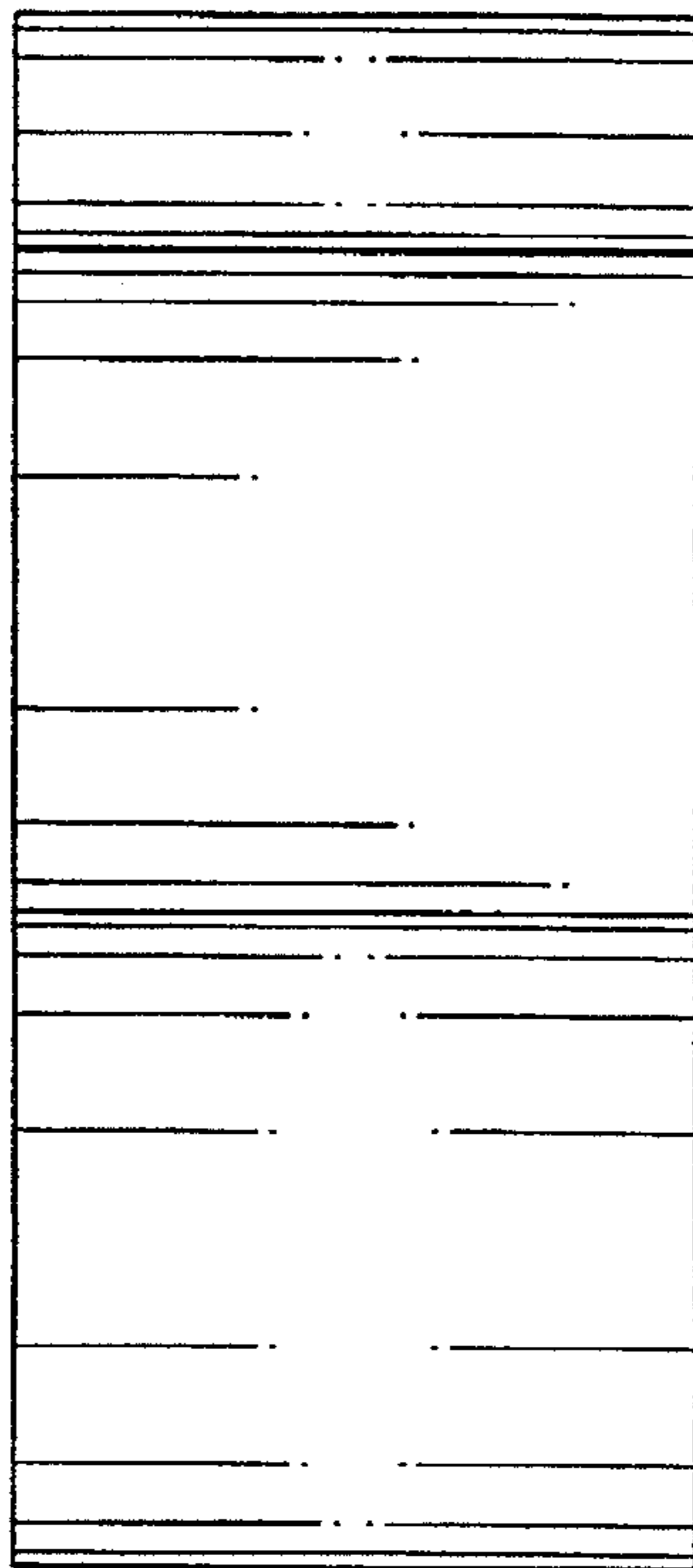


FIG. 6

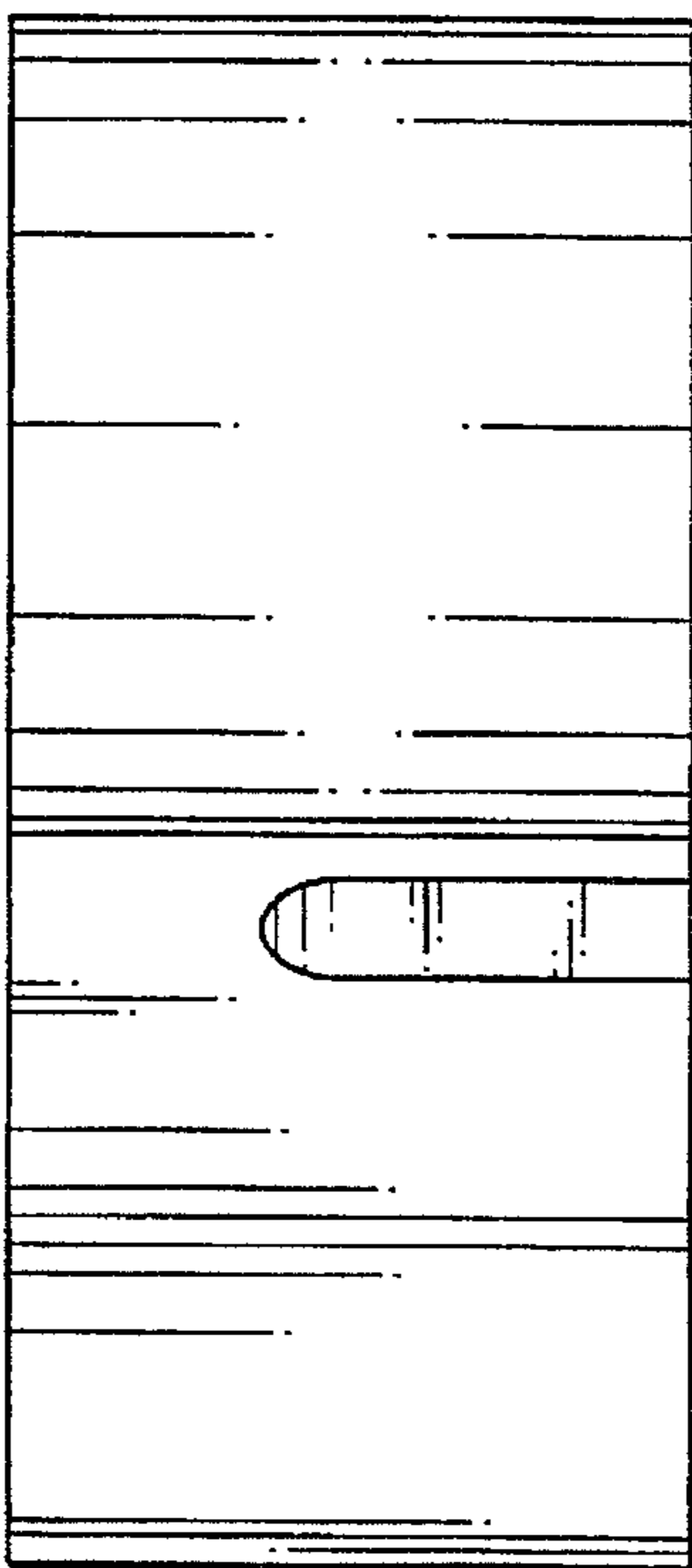


FIG. 7