



US00D380144S

**United States Patent** [19]  
**Lew**

[11] **Patent Number: Des. 380,144**

[45] **Date of Patent: \*\*Jun. 24, 1997**

[54] **PIPE HANGER DEVICE**

[76] **Inventor: Wing G. Lew, 3664 Primavera, Los Angeles, Calif. 90065**

[\*\*] **Term: 14 Years**

[21] **Appl. No.: 52,475**

[22] **Filed: Apr. 1, 1996**

[51] **LOC (6) Cl. .... 08-08**

[52] **U.S. Cl. .... D8/380**

[58] **Field of Search ..... D8/373, 380, 394-396; 248/57-59, 62, 68.1, 74.1-74.4; 24/16 PB**

[56] **References Cited**

**U.S. PATENT DOCUMENTS**

D. 305,099	12/1989	Naruse et al. ....	D8/394 X
D. 334,337	3/1993	Ito et al. ....	D8/394 X
2,671,625	3/1954	Buckley ....	248/58
4,487,387	12/1984	Heath ....	248/62 X

*Primary Examiner*—Holly Baynham  
*Attorney, Agent, or Firm*—Frederick Gotha

[57] **CLAIM**

The ornamental design for a pipe hanger device, as shown and described.

**DESCRIPTION**

FIG. 1 is a perspective view of a pipe hanger device showing my new design;

FIG. 2 is a top plan view thereof;

FIG. 3 is a front elevational view thereof with the hanger shown in an extended position and the rear elevational plan view is a mirror image of said front elevational view;

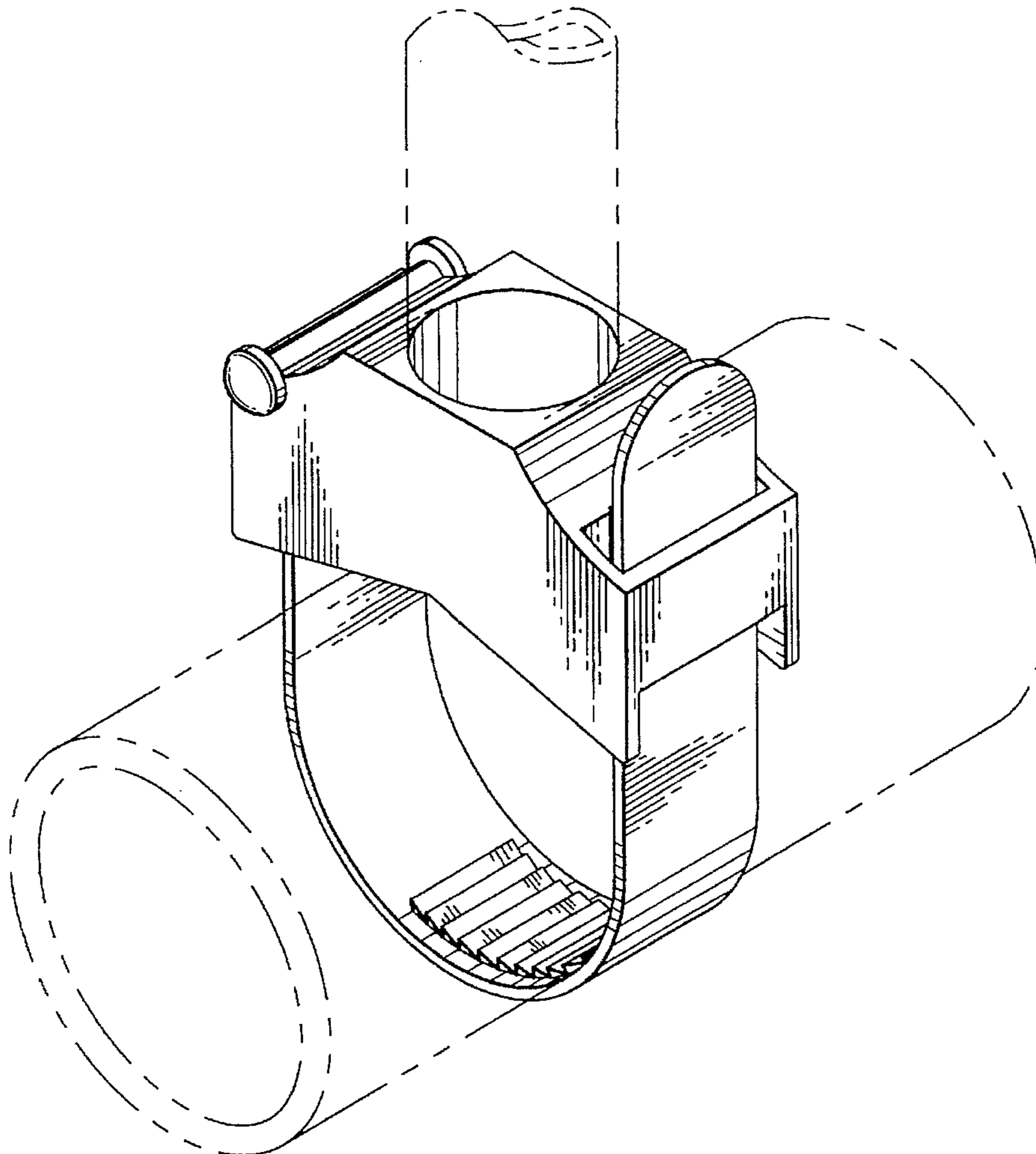
FIG. 4 is a bottom plan view thereof with the hanger shown in an extended position;

FIG. 5 is a right side view thereof with the hanger shown in an extended position; and,

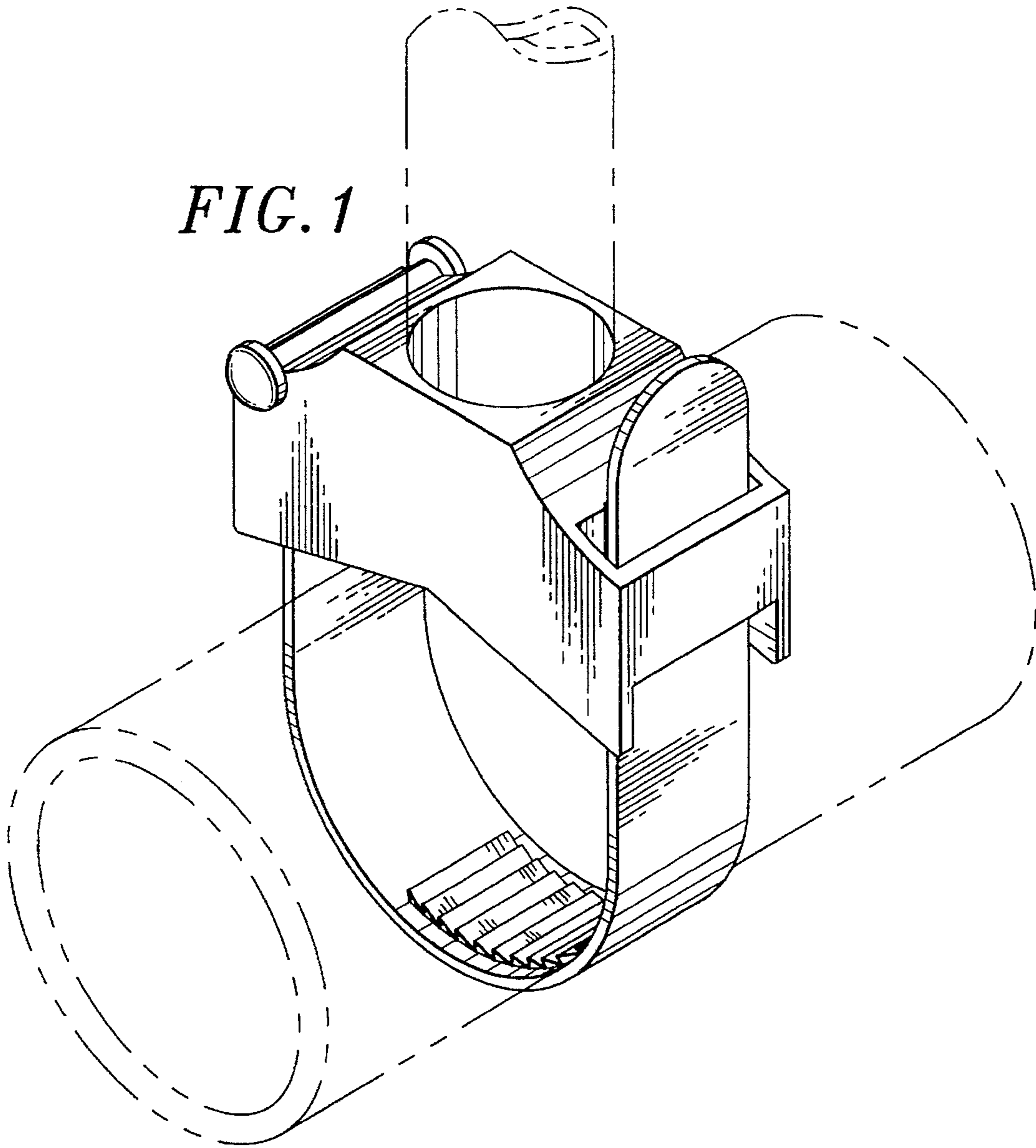
FIG. 6 is a left side elevational view thereof with the hanger shown in an extended position;

The broken lines showing the pipe and rod extension in FIG. 1 are for illustrative purposes only and form no part of the claimed design.

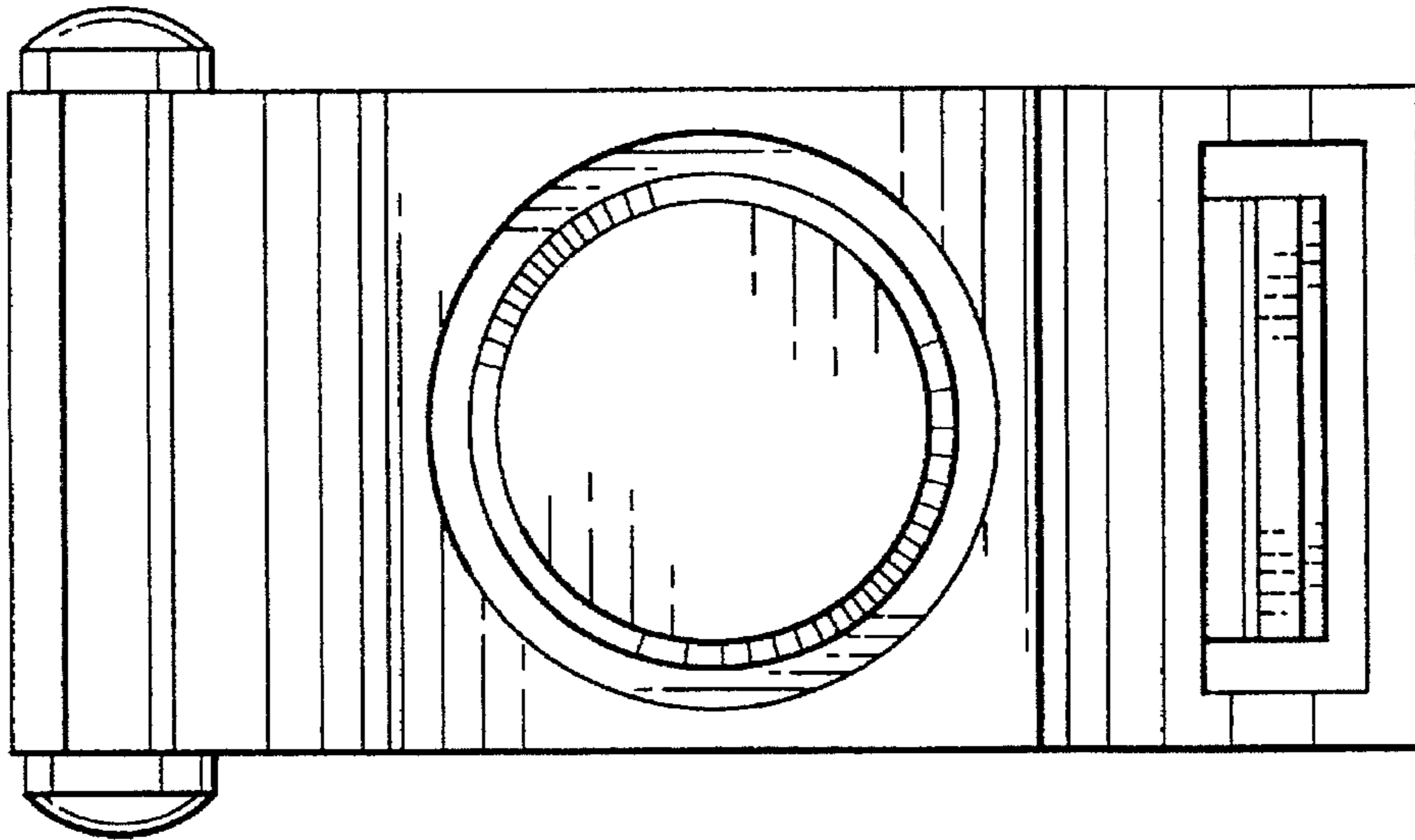
**1 Claim, 4 Drawing Sheets**



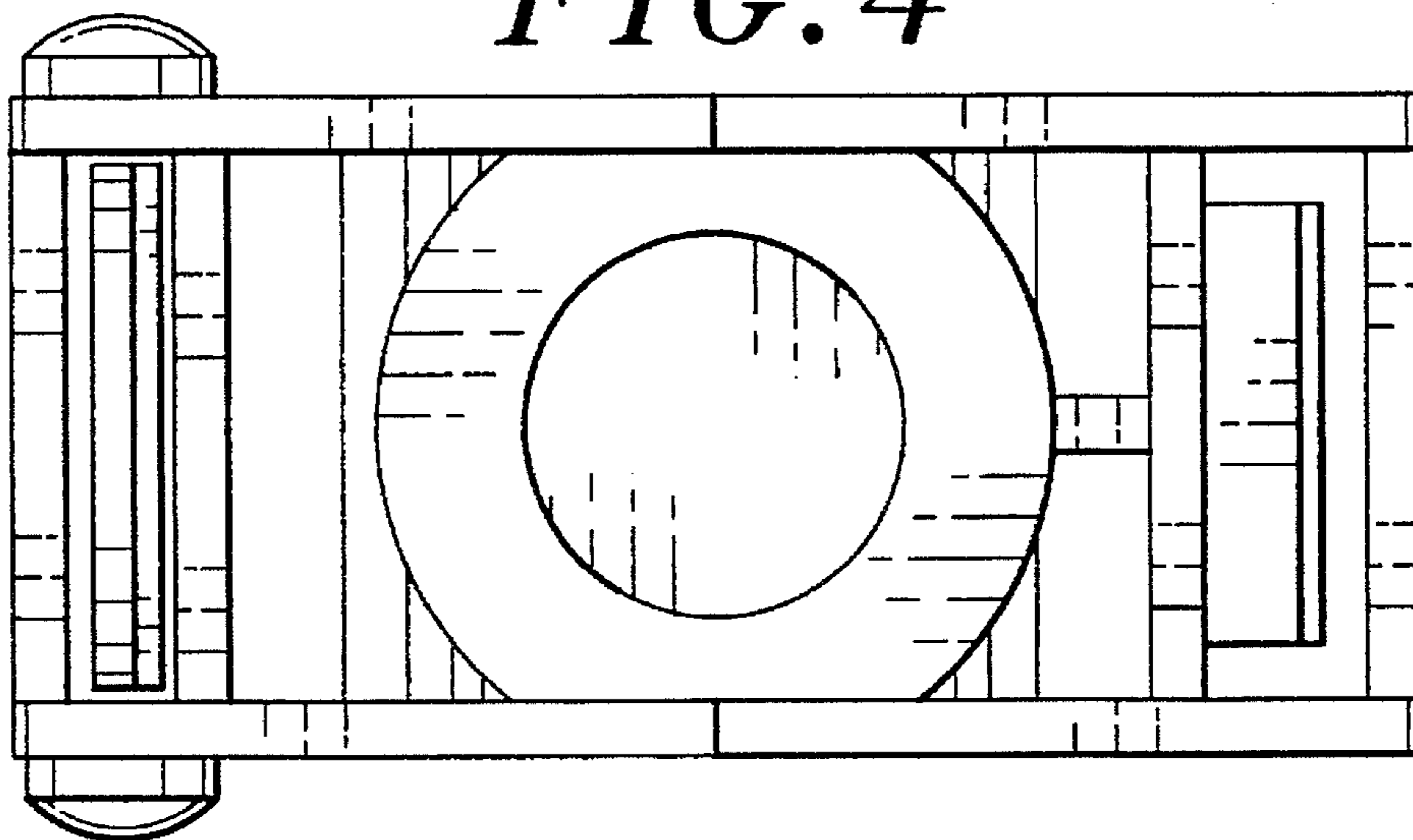
*FIG. 1*



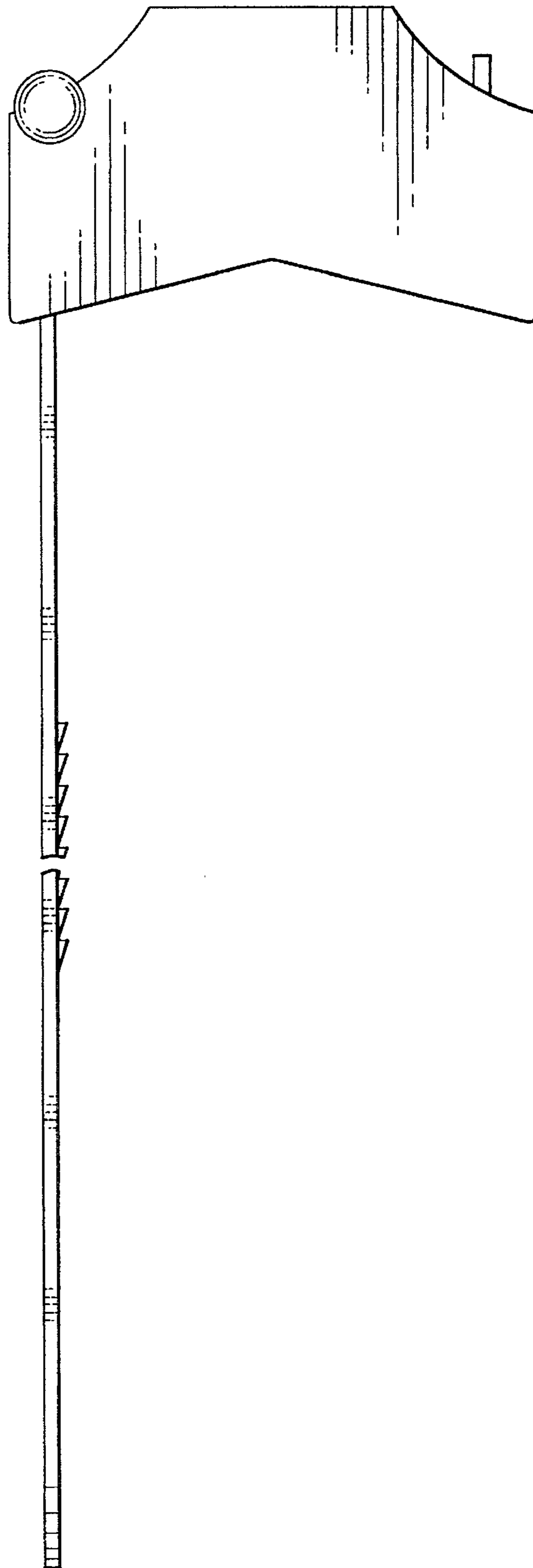
*FIG. 2*



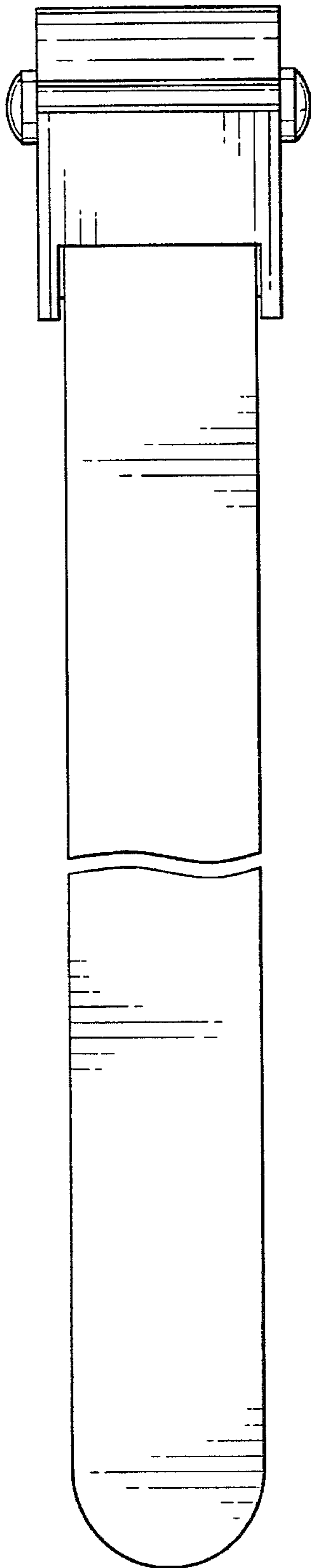
*FIG. 4*



*FIG. 3*



*FIG. 5*



*FIG. 6*

