



US00D380143S

United States Patent [19]

[11] Patent Number: **Des. 380,143**

Bried et al.

[45] Date of Patent: ****Jun. 24, 1997**

[54] **FOOTBALL-SHAPED FINIAL FOR A CURTAIN ROD AND HOLDBACK**

[75] Inventors: **David K. Bried**, Loves Park; **James Daniels**, Freeport, both of Ill.

[73] Assignee: **Newell Operating Company**, Freeport, Ill.

[**] Term: **14 Years**

[21] Appl. No.: **36,959**

[22] Filed: **Mar. 31, 1995**

[51] LOC (6) Cl. **08-05**

[52] U.S. Cl. **D8/378**

[58] Field of Search D8/378, 300, 305; D21/204, 209; D11/181, 81; 428/28

[56] References Cited

U.S. PATENT DOCUMENTS

| | | | | |
|------------|---------|----------------------|---------|---|
| D. 286,944 | 12/1986 | Saladino et al. | D21/204 | X |
| D. 318,715 | 7/1991 | Hardman | D8/305 | X |
| D. 355,460 | 2/1995 | Routzong et al. | D21/204 | |
| 1,900,544 | 3/1933 | Craig | D21/204 | X |
| 3,105,686 | 10/1963 | Elsea | D21/209 | X |

OTHER PUBLICATIONS

J.C. Penny catalog, 1993, p. 204, football, item A shown a left of page.
 The Sporting Goods Dealer, Jul. 1981, p. 29, football located at the bottom of page.
 Photographs of door handles with and without packaging available from Weslock National; Date: 1992.

Primary Examiner—Holly H. Baynham
Attorney, Agent, or Firm—Foley & Lardner

[57] CLAIM

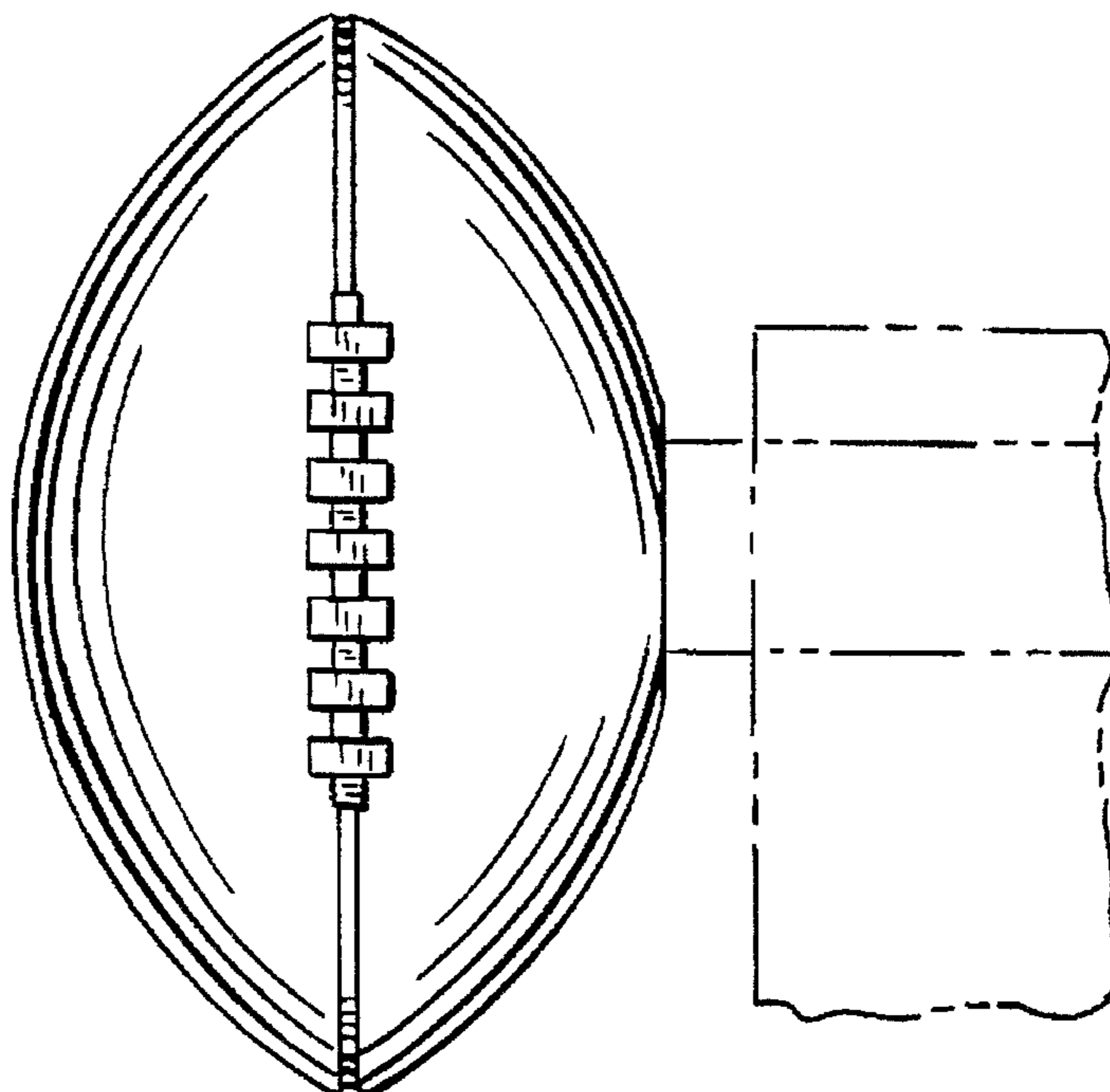
The ornamental design for a football-shaped finial for a curtain rod and holdback, as shown and described.

DESCRIPTION

FIG. 1 is a perspective view of a football-shaped finial for a curtain rod and holdback showing our new design;
 FIG. 2 is a front elevational view thereof;
 FIG. 3 is a rear elevational view thereof;
 FIG. 4 is a top plan view thereof, the bottom plan view being a mirror image of the top view shown;
 FIG. 5 is a left side elevational view thereof;
 FIG. 6 is a right side elevational view thereof;
 FIG. 7 is a front elevational view of a second embodiment of our new design;
 FIG. 8 is a front elevational view of a third embodiment of our new design; and,
 FIG. 9 is a perspective view of a fourth embodiment of our new design.

The broken line showing of a partial curtain rod structure is for illustrative purposes only and forms no part of the claimed design. The undisclosed rear, top, bottom and side elevational views of the second and third embodiments are similar in appearance to the views shown in the first embodiment except for the placement of the attaching end. The undisclosed rear, front, side, top and bottom views of the fourth embodiment are the same as the views of the first embodiment.

1 Claim, 2 Drawing Sheets



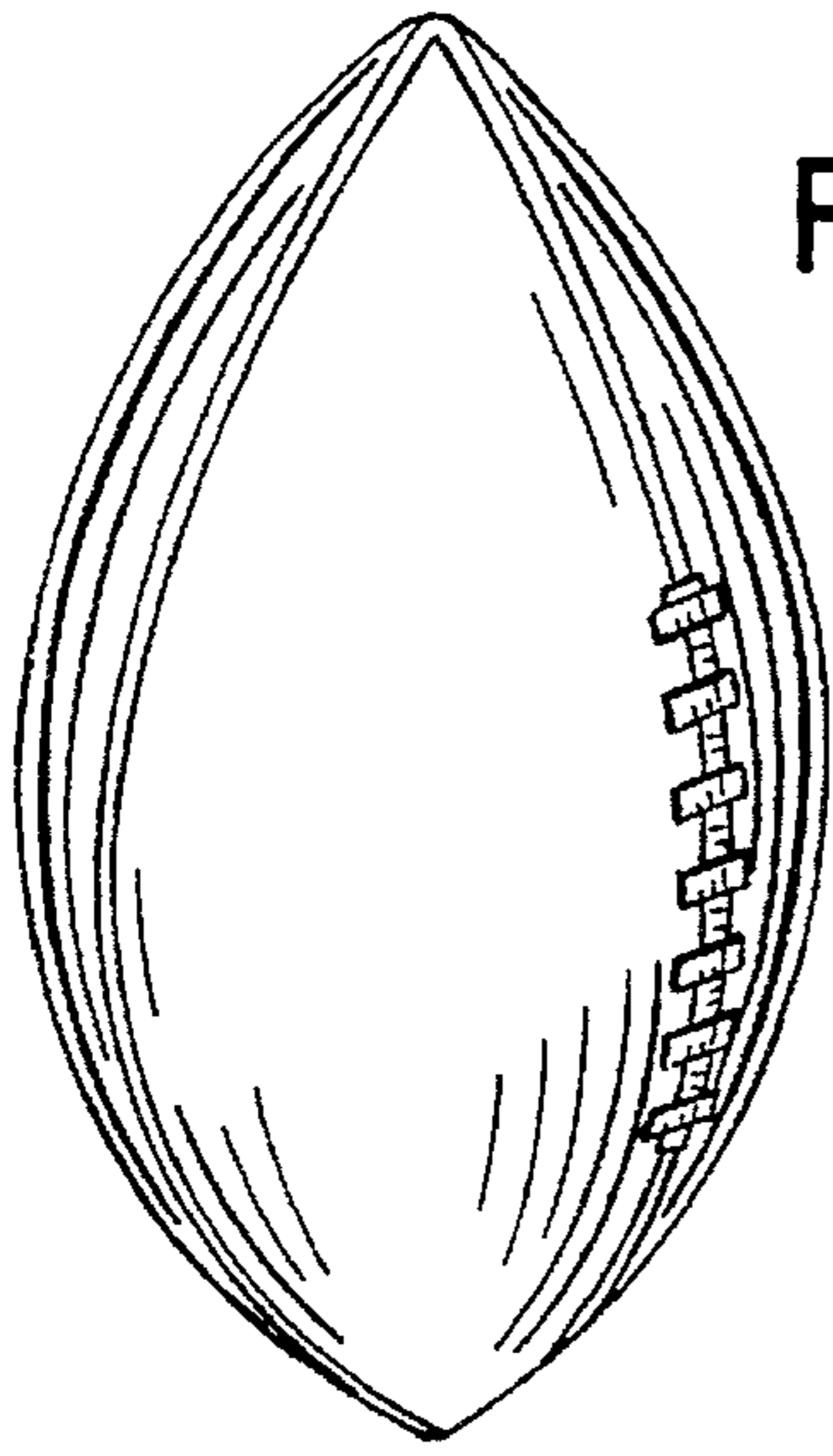


FIG. 1

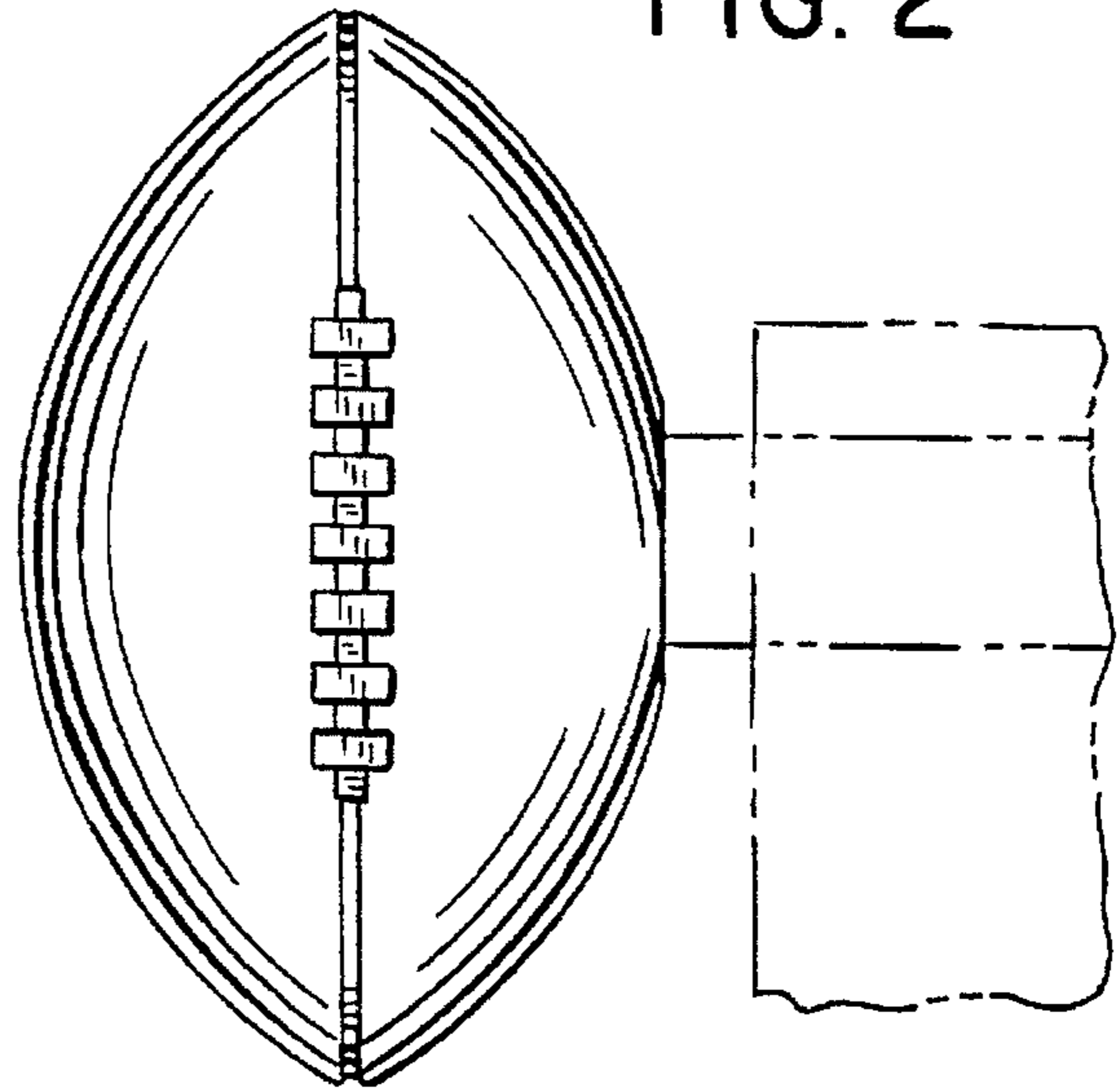


FIG. 2

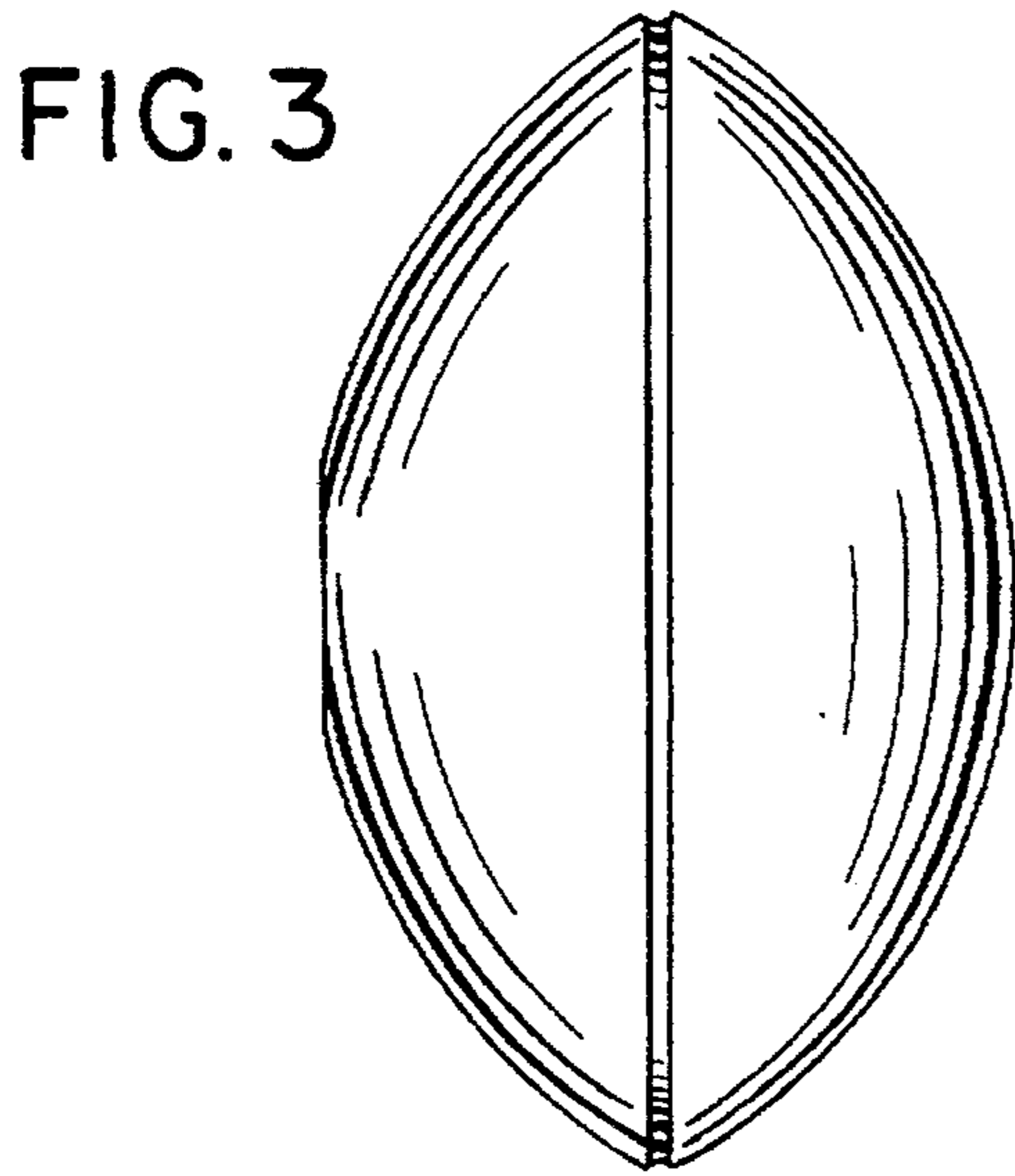


FIG. 3

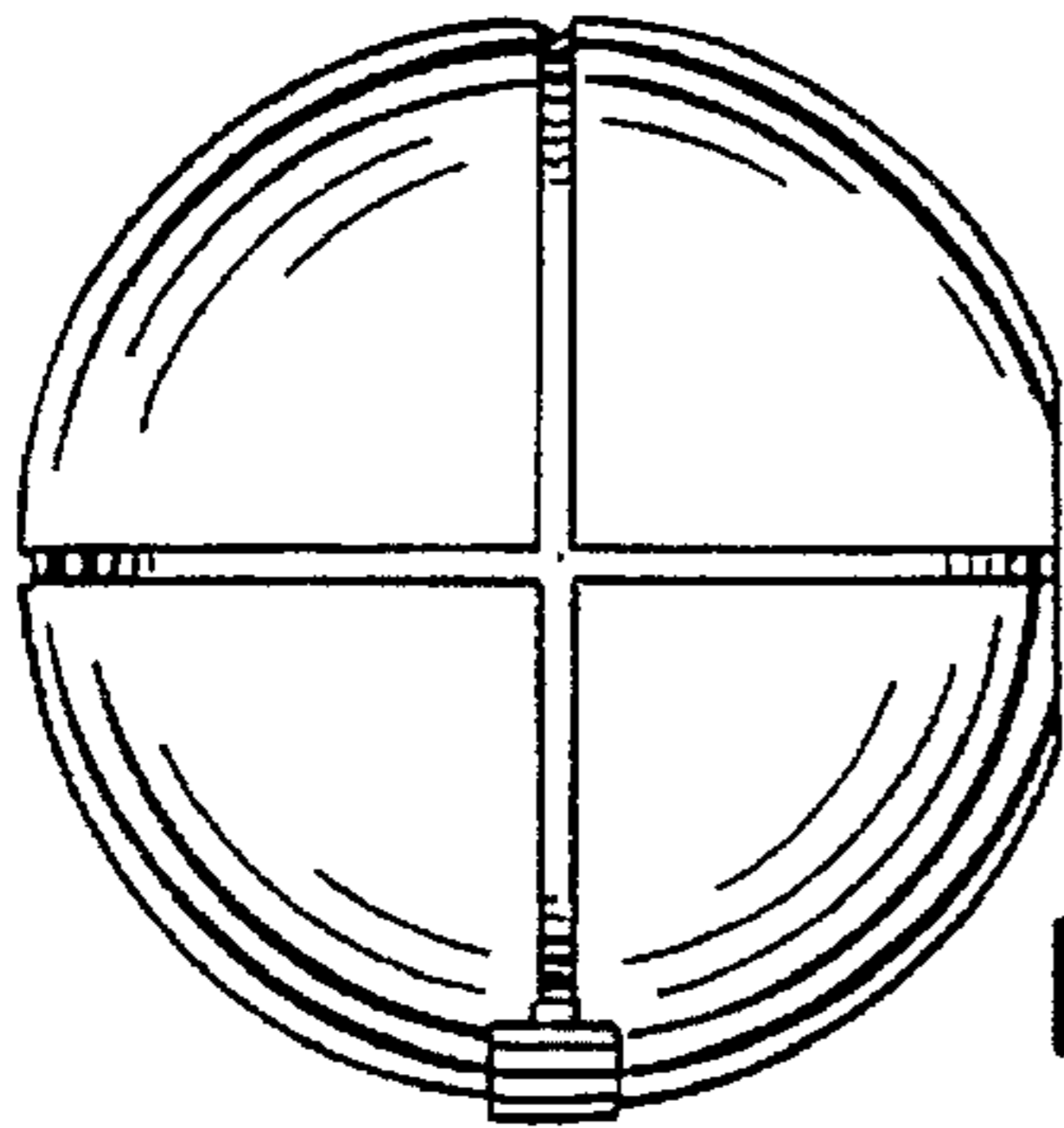


FIG. 4

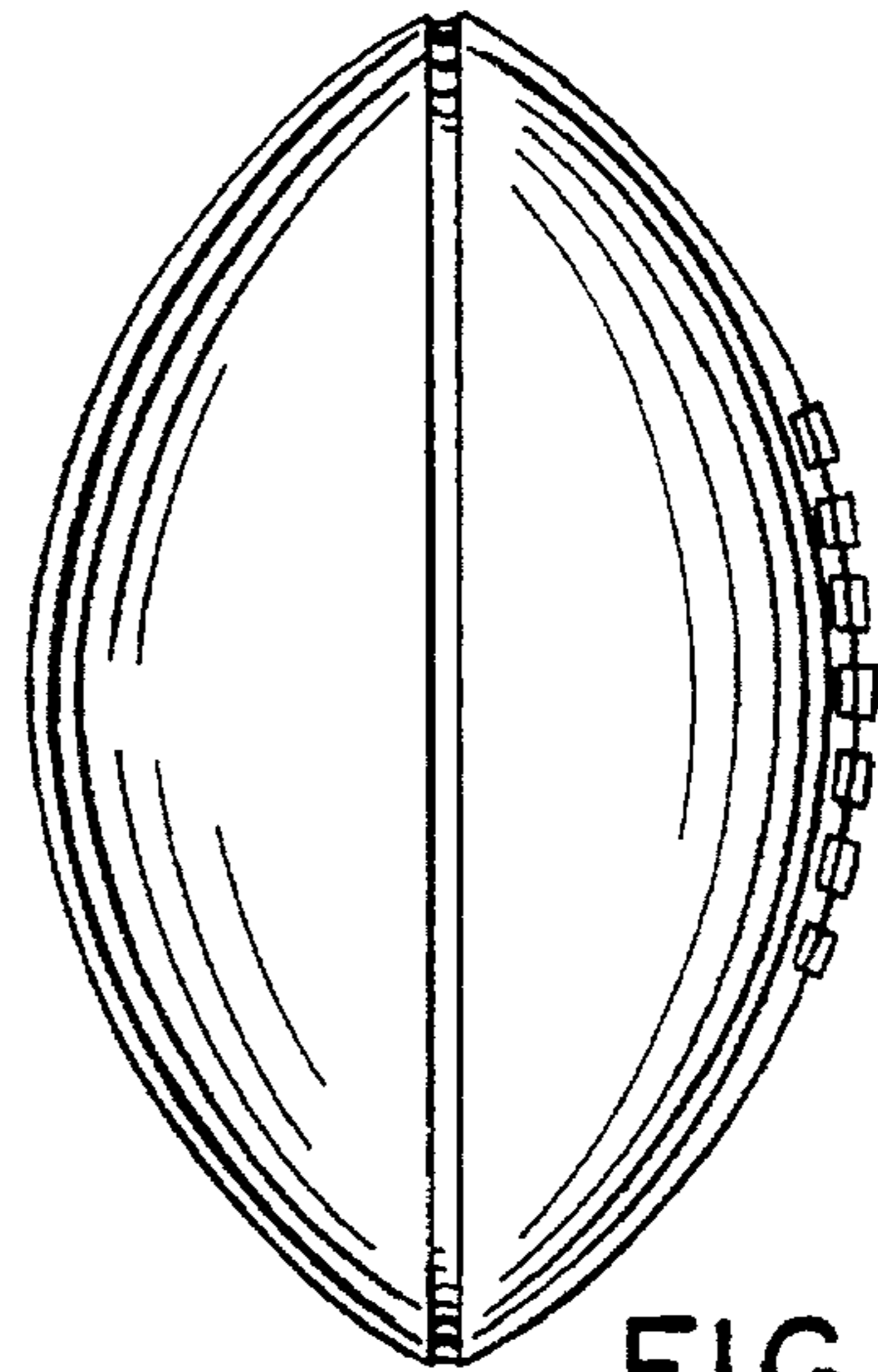


FIG. 5

FIG. 9

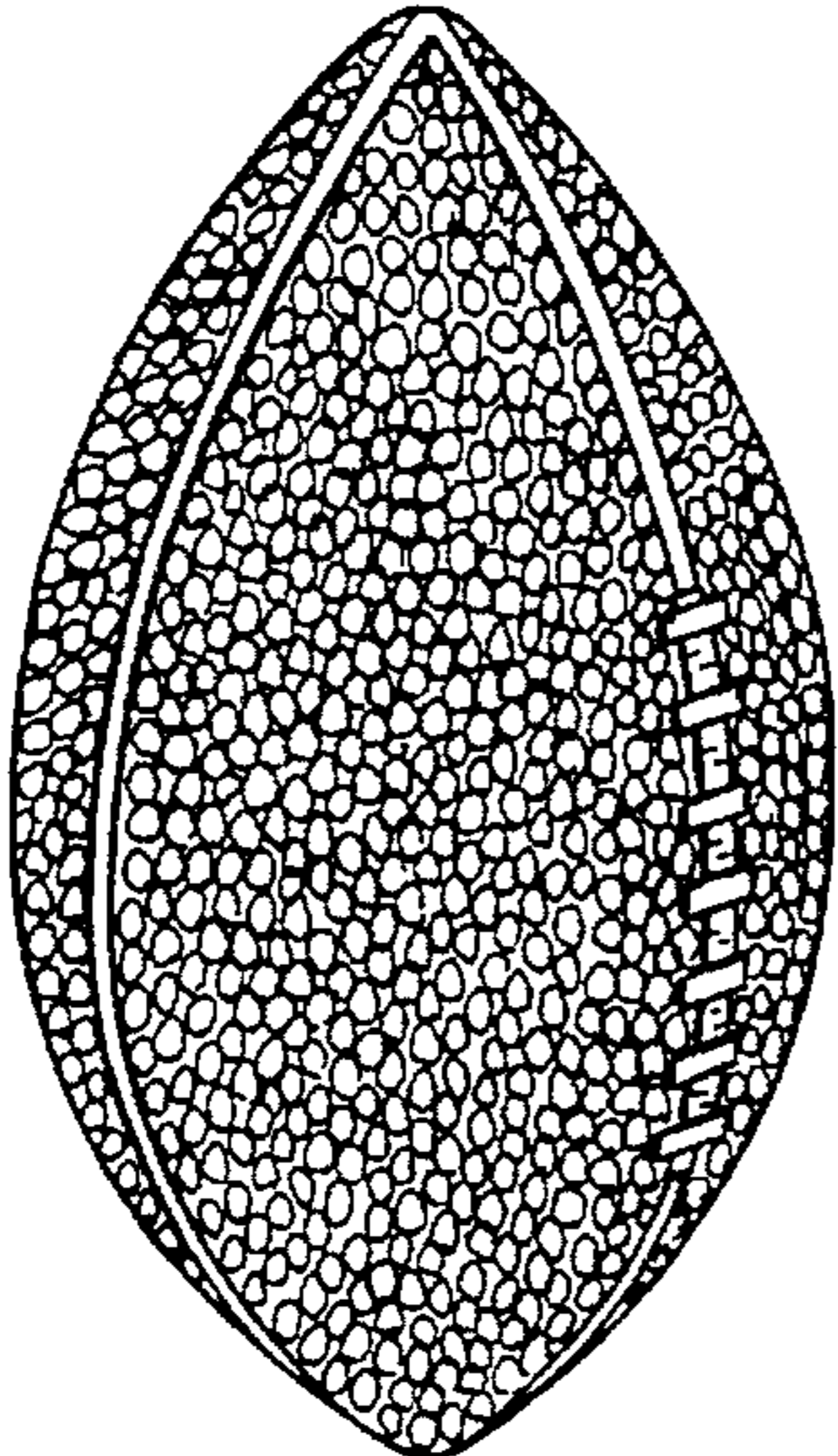


FIG. 6

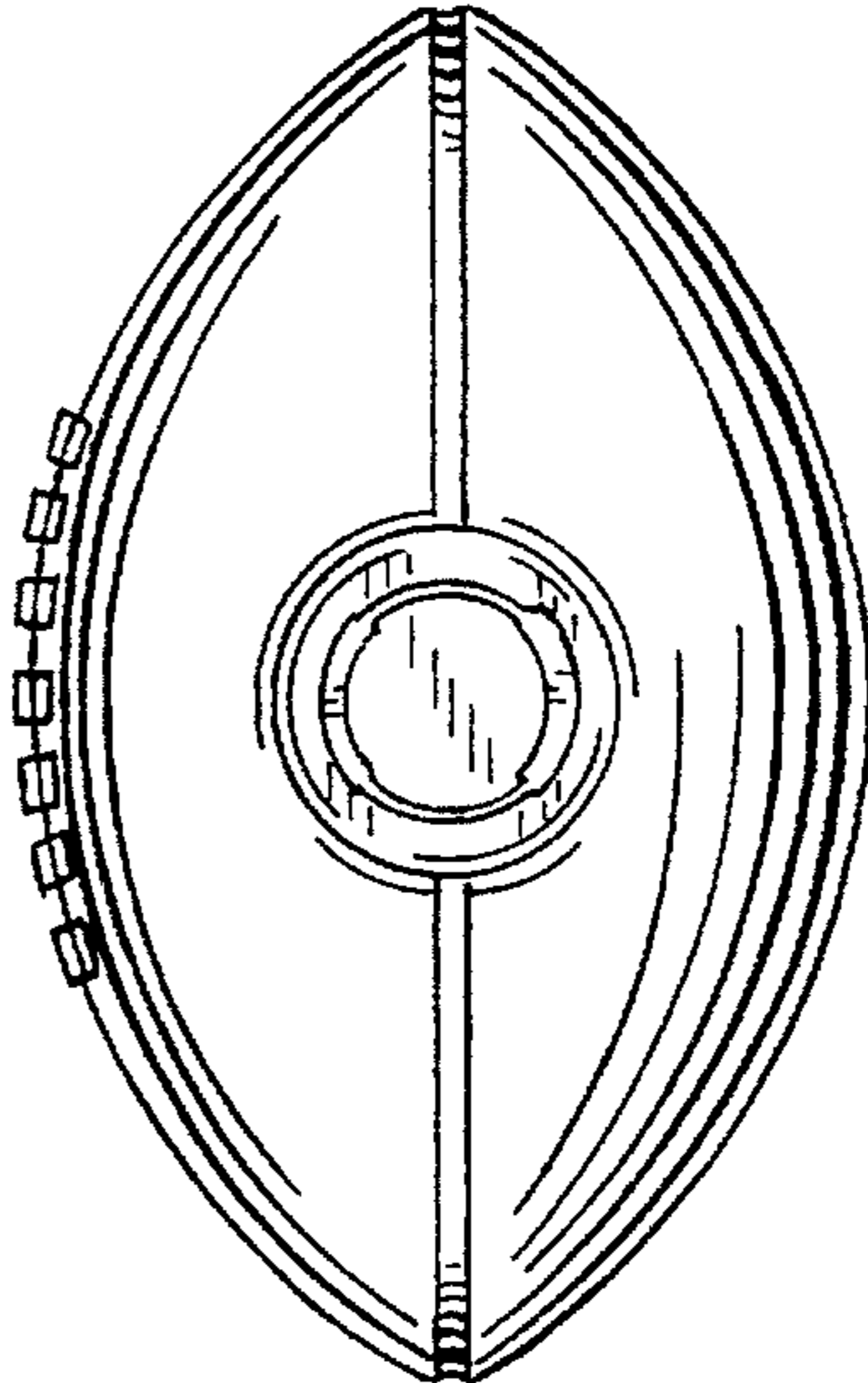


FIG. 7

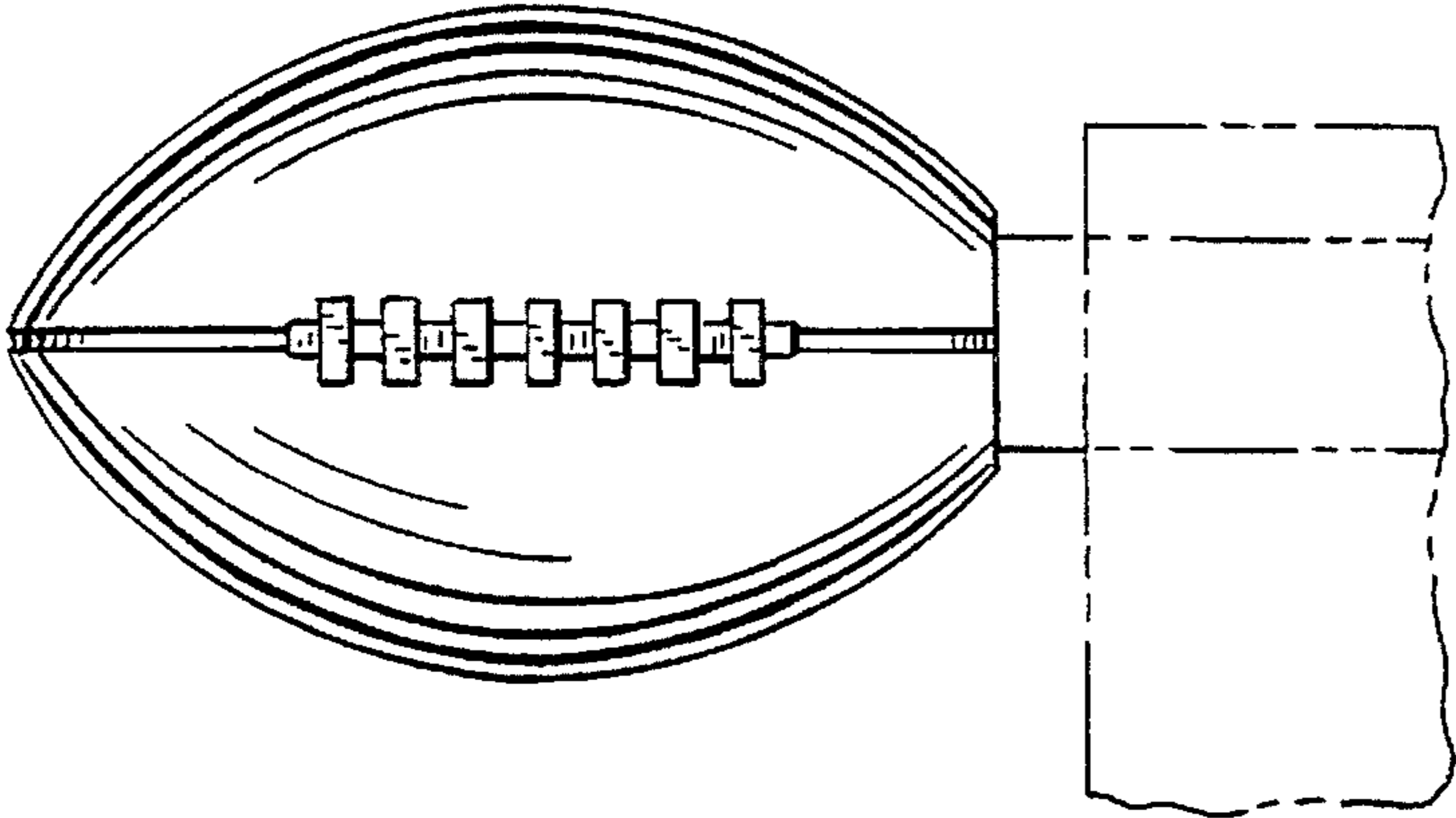
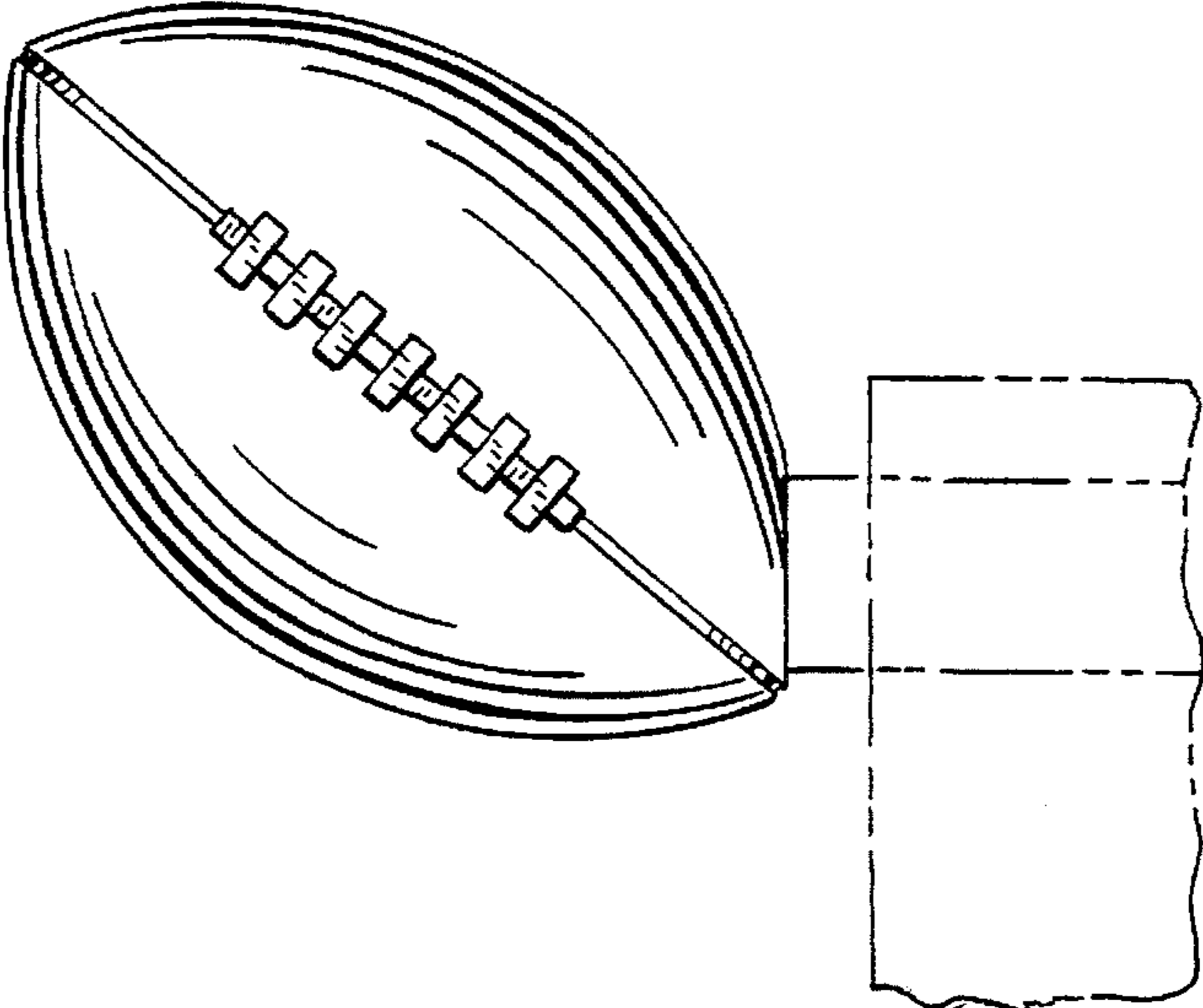


FIG. 8