



US00D380139S

# United States Patent [19]

[11] Patent Number: **Des. 380,139**

Scott et al.

[45] Date of Patent: **\*\*Jun. 24, 1997**

[54] **BRICK RETAINING BRACKET**

4,274,330	6/1981	Witten et al.	248/27.1 X
4,403,271	9/1983	Flanigan et al.	248/27.1 X
5,277,573	1/1994	Sullivan	249/16 X

[76] Inventors: **Samuel C. Scott; William C. Scott, III**, both of 4575 Joliet St., Denver, Colo. 80209

*Primary Examiner*—Holly Baynham  
*Attorney, Agent, or Firm*—Pittenger & Smith

[\*\*] Term: **14 Years**

[57] **CLAIM**

[21] Appl. No.: **49,619**

The ornamental design for the brick retaining bracket, as shown and described.

[22] Filed: **Jan. 11, 1996**

### DESCRIPTION

#### Related U.S. Application Data

[63] Continuation of Ser. No. 510,006, Aug. 1, 1995.

[51] LOC (6) Cl. .... **08-05**

[52] U.S. Cl. .... **D8/349**

[58] Field of Search ..... D8/349, 354; D25/199;  
248/300, 200, 27.1; 249/16, 61, 83, 96;  
52/749.15, 385

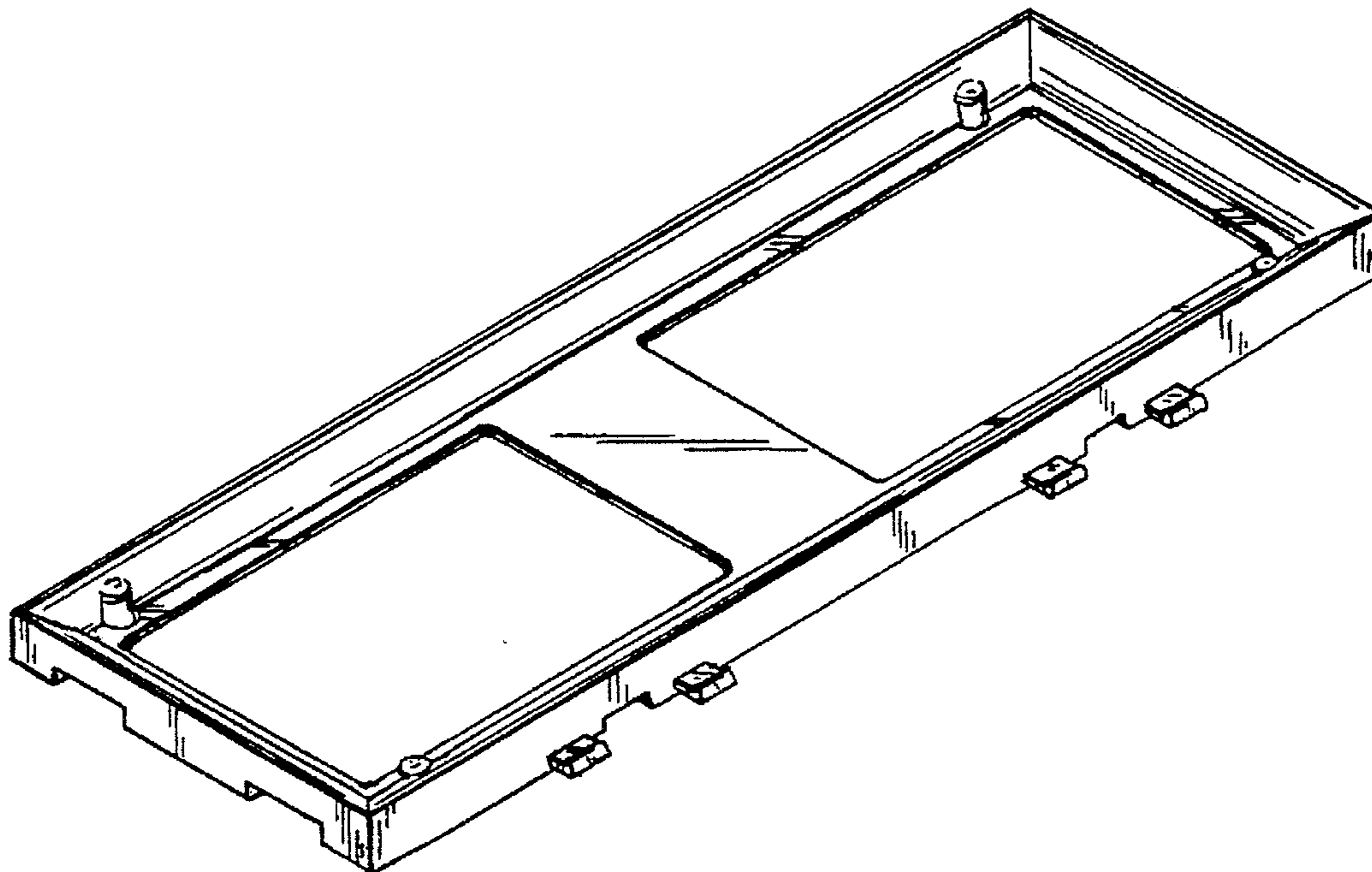
FIG. 1 is a perspective view of the top portion of the brick retaining bracket showing our new design;  
 FIG. 2 is a perspective view showing the bottom portion of our new design;  
 FIG. 3 is a top plan view thereof;  
 FIG. 4 is a front elevational view thereof;  
 FIG. 5 is a bottom plan view thereof;  
 FIG. 6 is a rear elevational view thereof;  
 FIG. 7 is a left side elevational view thereof; and,  
 FIG. 8 is a right side elevational view thereof.  
 The characteristic features of the design resides in the flowing curve of the inner edge surfaces and the straight vertical outer edges.

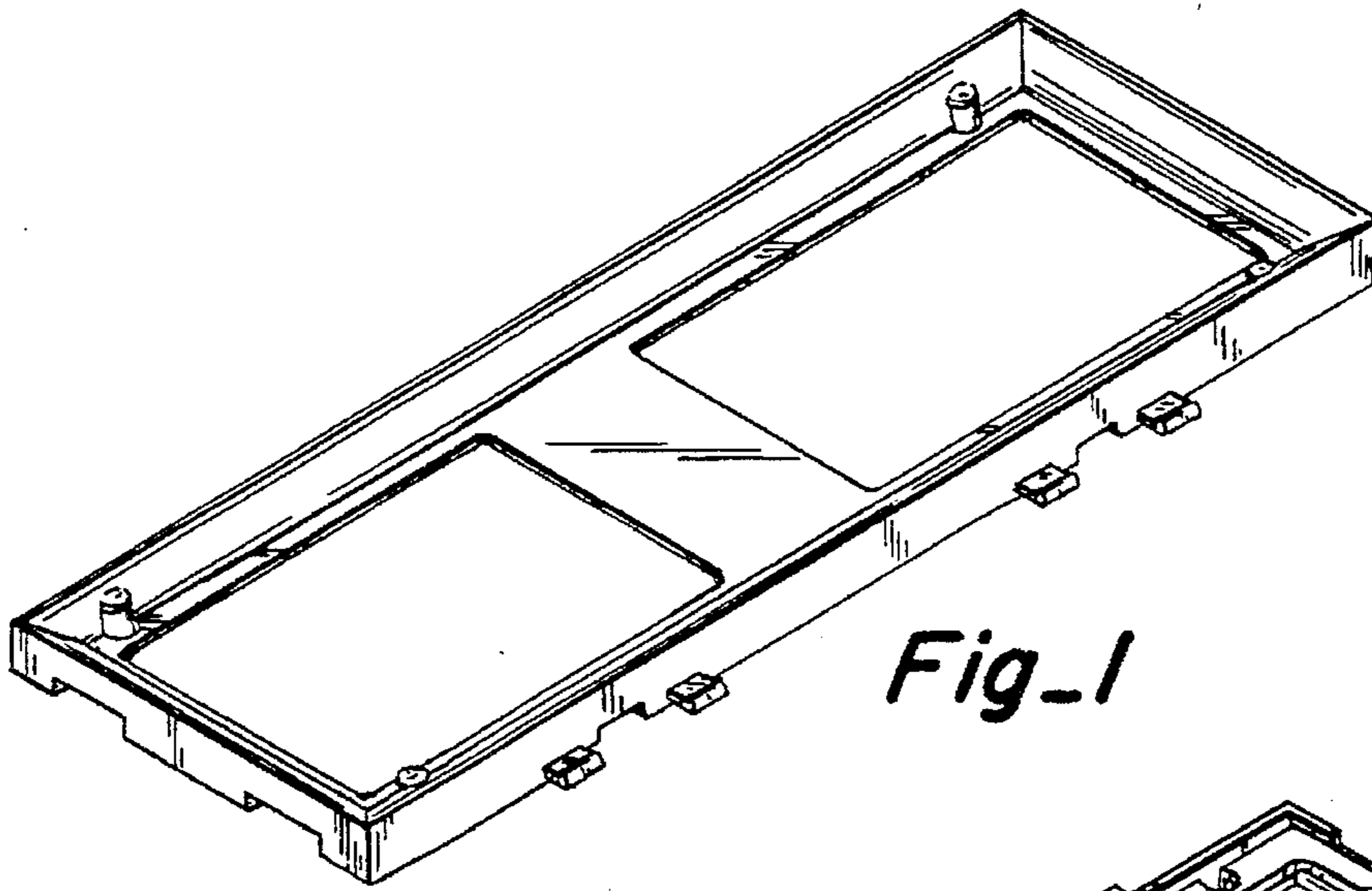
#### [56] References Cited

##### U.S. PATENT DOCUMENTS

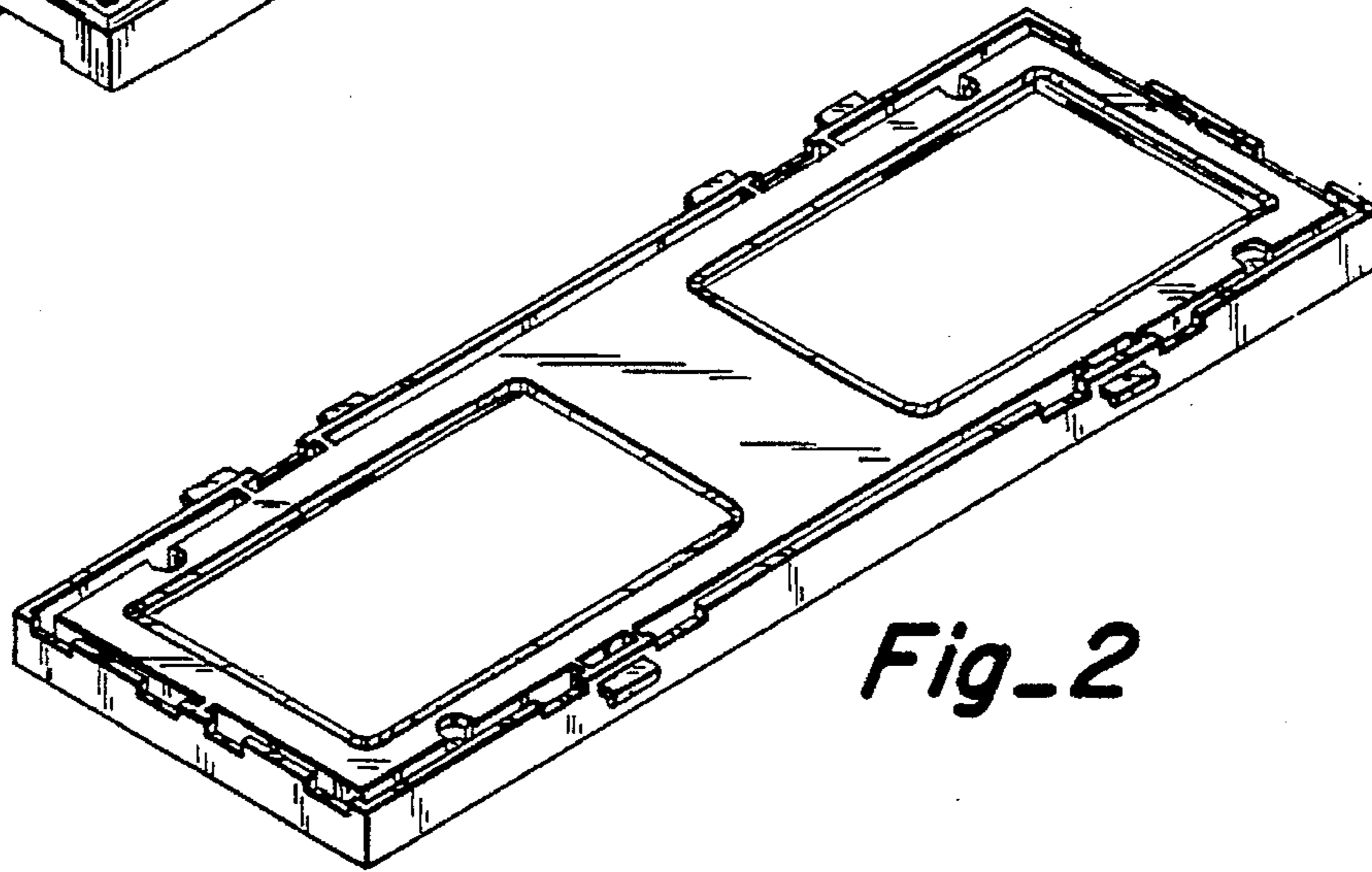
D. 194,373	1/1963	Long	D25/199 X
2,007,842	7/1935	Whiteside	52/385
3,964,705	6/1976	Giovanni	248/27.1

**1 Claim, 2 Drawing Sheets**

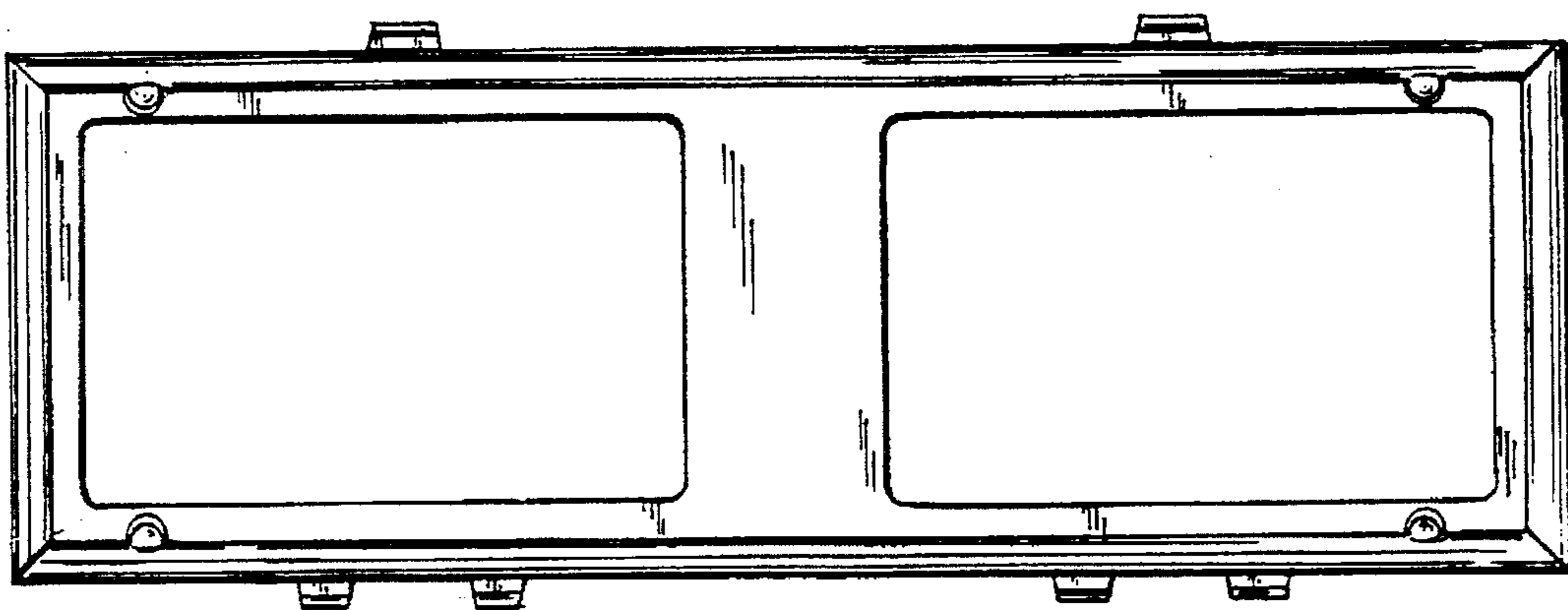




*Fig-1*



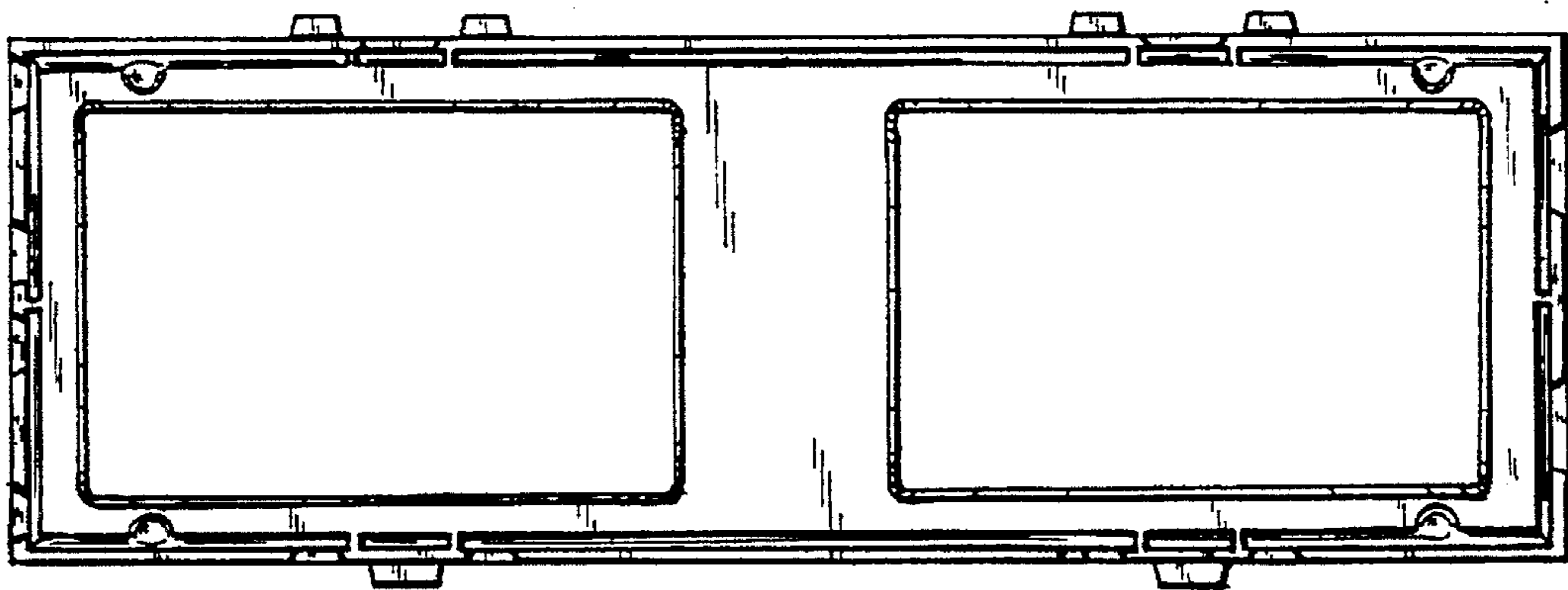
*Fig-2*



*Fig-3*



*Fig\_4*



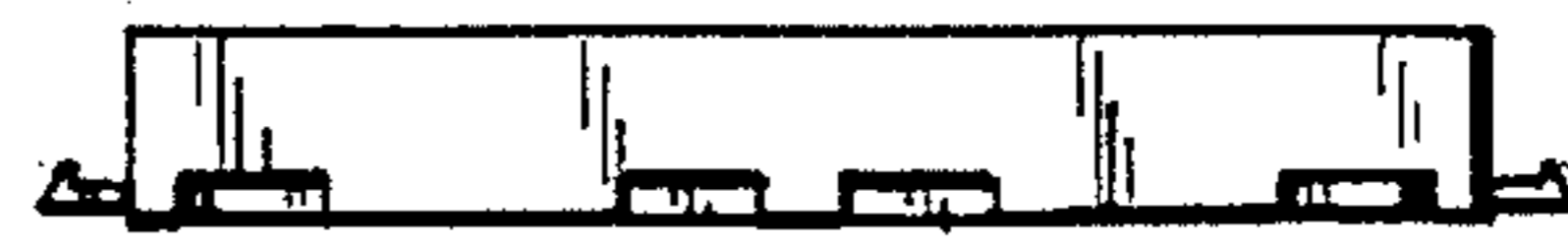
*Fig\_5*



*Fig\_6*



*Fig\_7*



*Fig\_8*