



US00D380138S

# United States Patent [19]

Carlson et al.

[11] Patent Number: **Des. 380,138**

[45] Date of Patent: **\*\*Jun. 24, 1997**

[54] **VENT STOP FOR WINDOW SASHES**

4,791,756 12/1988 Simpson ..... 49/449 X  
4,901,475 2/1990 Simpson ..... 49/449 X

[75] Inventors: **Dennis Carlson**, McPherson, Kans.;  
**Jeffrey B. Hersh**, Wayne, Pa.; **Dennis Westphal**, Parma, Mich.

### OTHER PUBLICATIONS

Ashland Products Trade Literature entitled "Single & Double Hung Slider Casement", Ashland Products, Chicago, Illinois, Pub'd Prior to Filing Date of Application.

[73] Assignee: **CertainTeed Corporation**, Valley Forge, Pa.

*Primary Examiner*—Brian N. Vinson  
*Attorney, Agent, or Firm*—Duane, Morris & Heckscher

[\*\*] Term: **14 Years**

[21] Appl. No.: **40,684**

### [57] CLAIM

[22] Filed: **Jun. 23, 1995**

The ornamental design for a vent stop for window sashes, as shown and described.

[51] LOC (6) Cl. .... **08-09**

### DESCRIPTION

[52] U.S. Cl. .... **D8/343; D8/331**

[58] Field of Search ..... D8/330-331, 336,  
D8/338, 339, 341, 343; 49/449, 504; 292/67,  
DIG. 47, 338, 339, DIG. 38

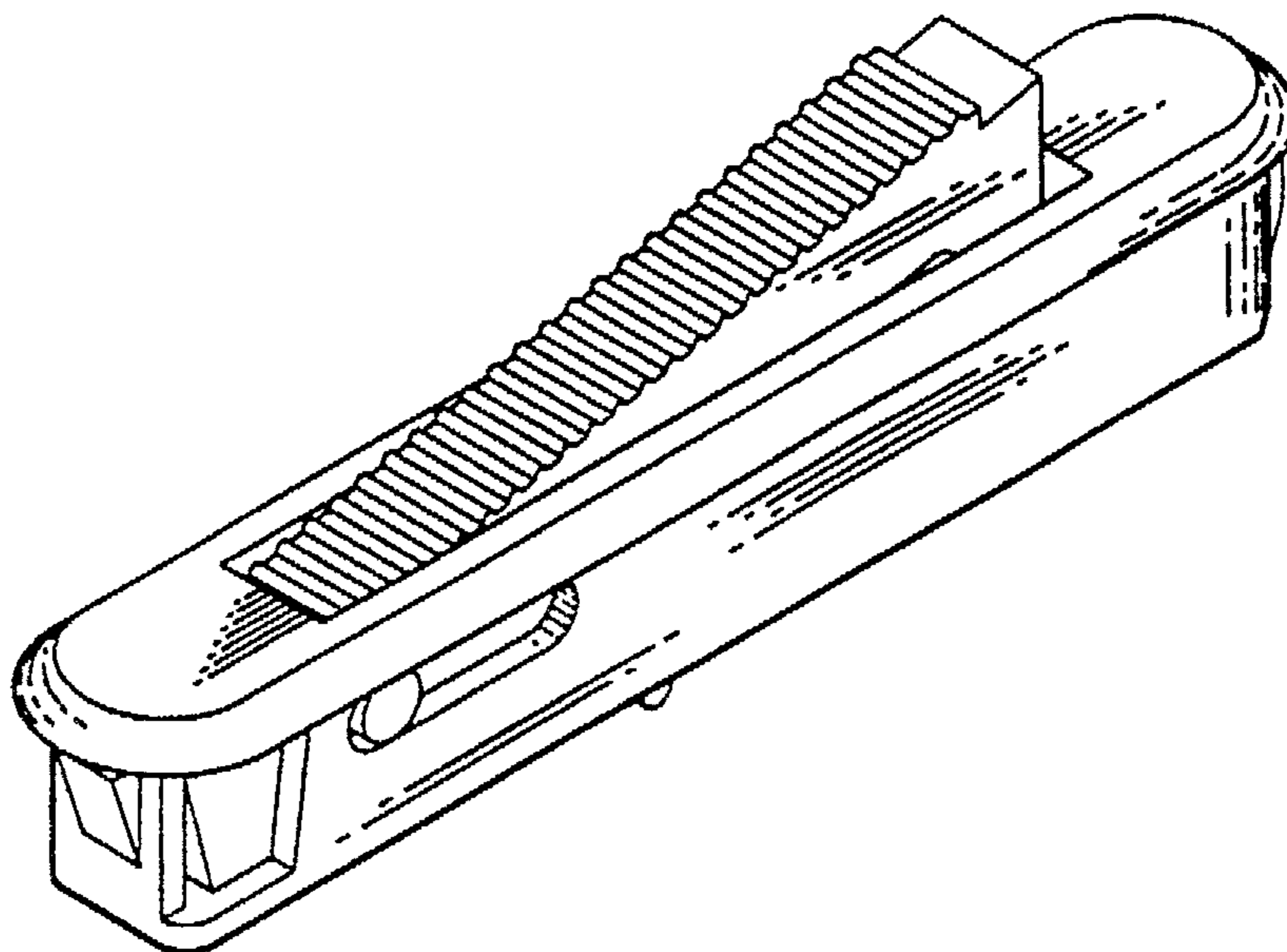
FIG. 1 is a front perspective view of a vent stop for window sashes showing our new design;  
FIG. 2 is a right side elevational view thereof;  
FIG. 3 is a left side elevational view thereof;  
FIG. 4 is a top plan view thereof;  
FIG. 5 is a bottom plan view thereof;  
FIG. 6 is a front elevational view thereof; and,  
FIG. 7 is a back elevational view thereof.

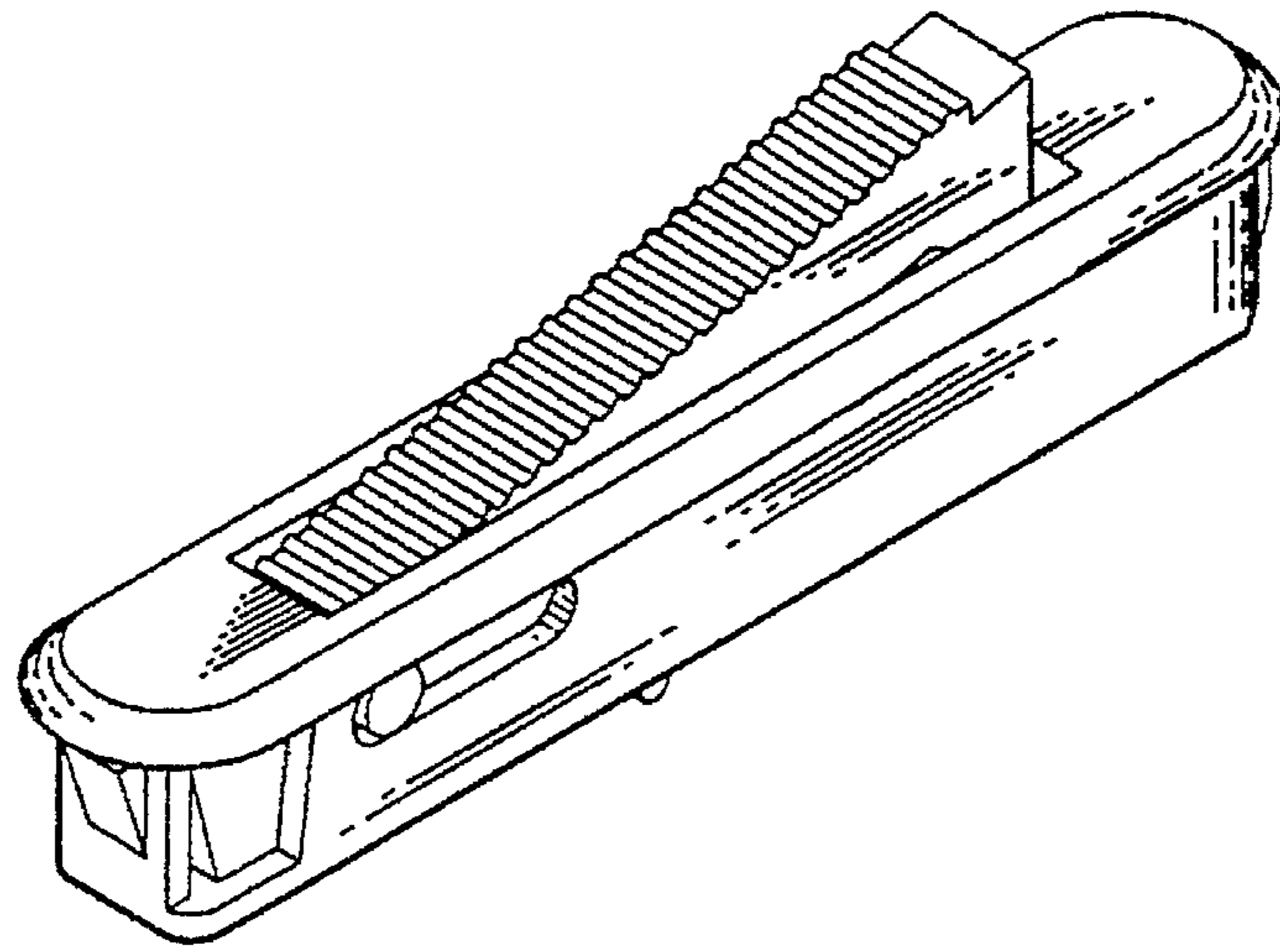
### [56] References Cited

#### U.S. PATENT DOCUMENTS

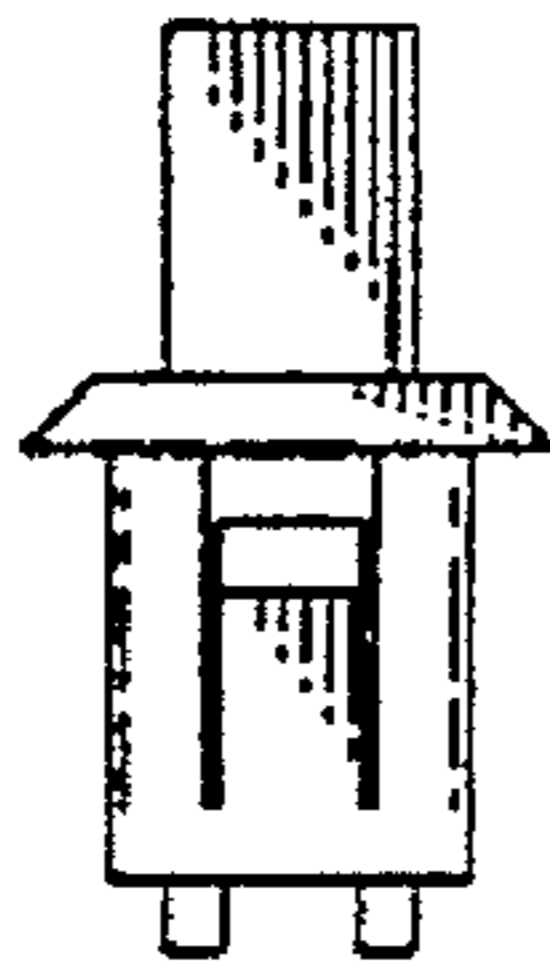
D. 371,502 7/1996 Morris ..... D8/331  
4,475,311 10/1984 Gibson ..... 49/449 X  
4,553,353 11/1985 Simpson ..... 49/449 X  
4,640,048 2/1987 Winner et al. .... 49/449 X

**1 Claim, 2 Drawing Sheets**

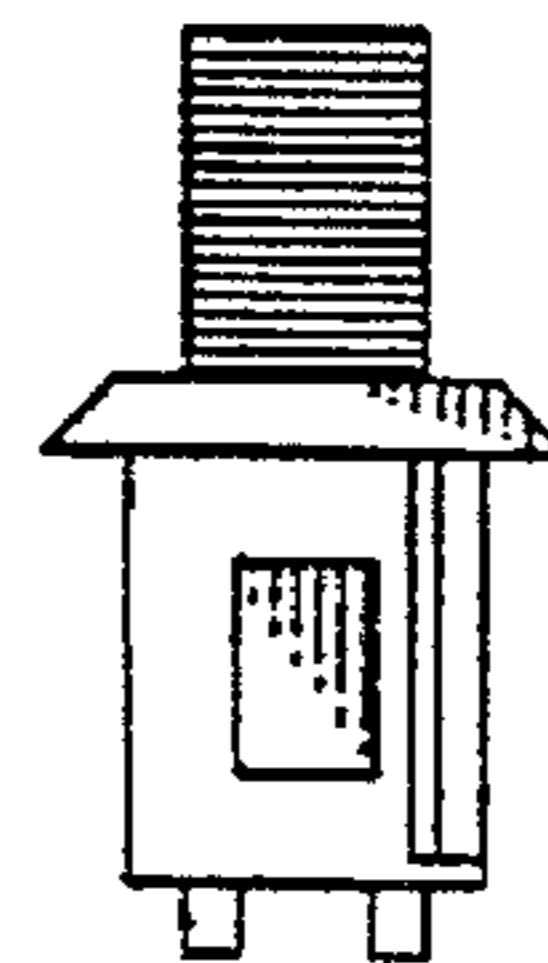




*FIG. 1*



*FIG. 2*



*FIG. 3*

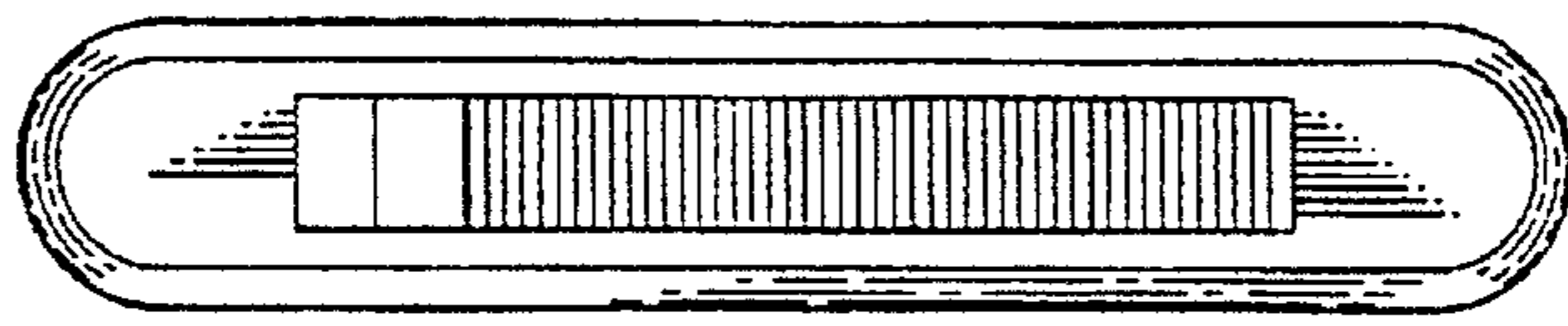


FIG. 4

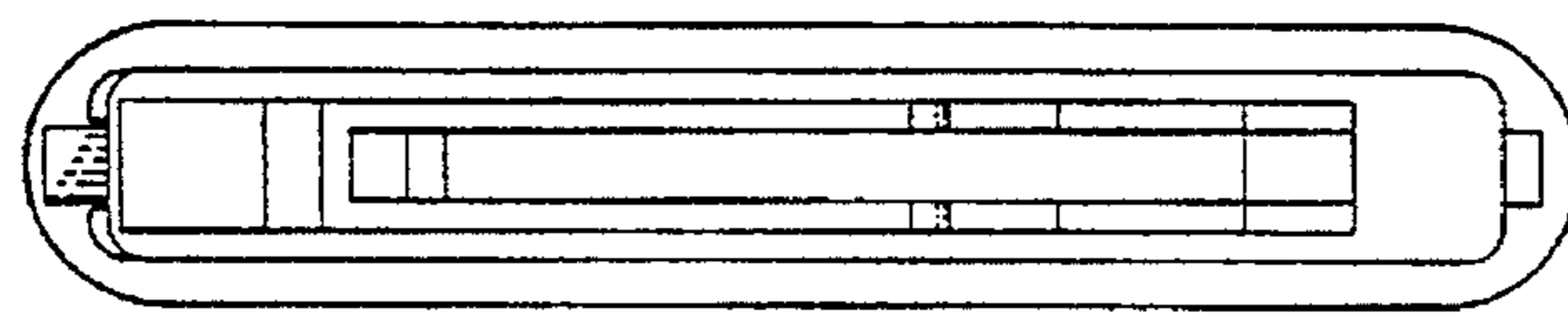


FIG. 5

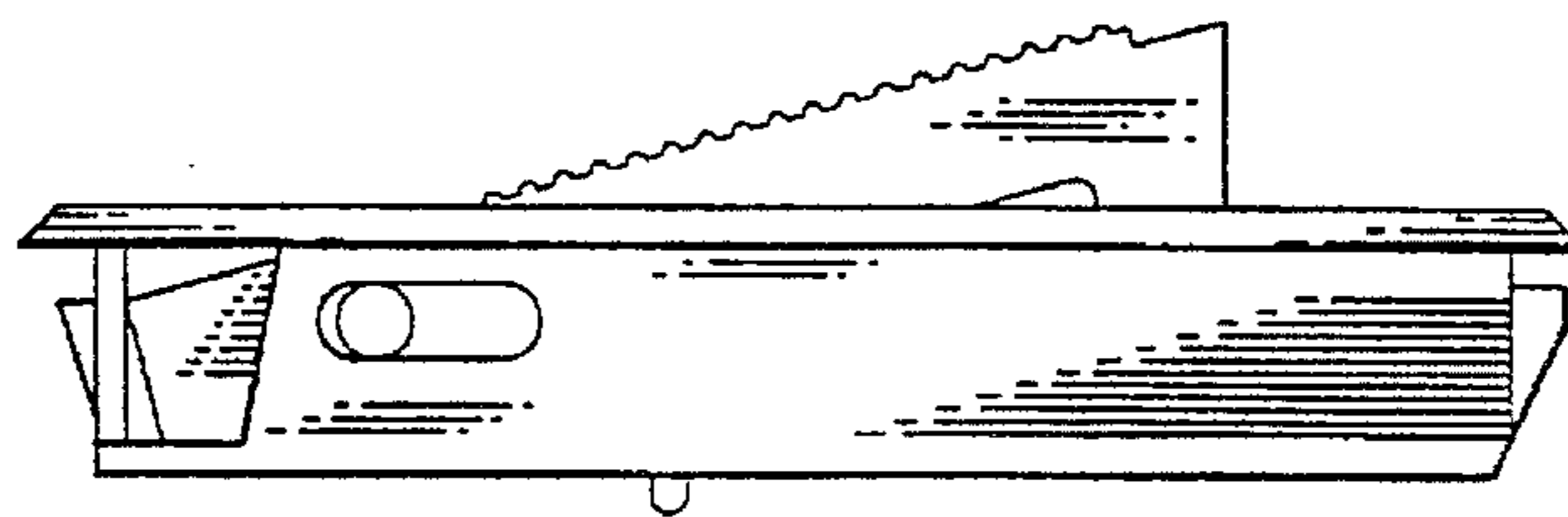


FIG. 6

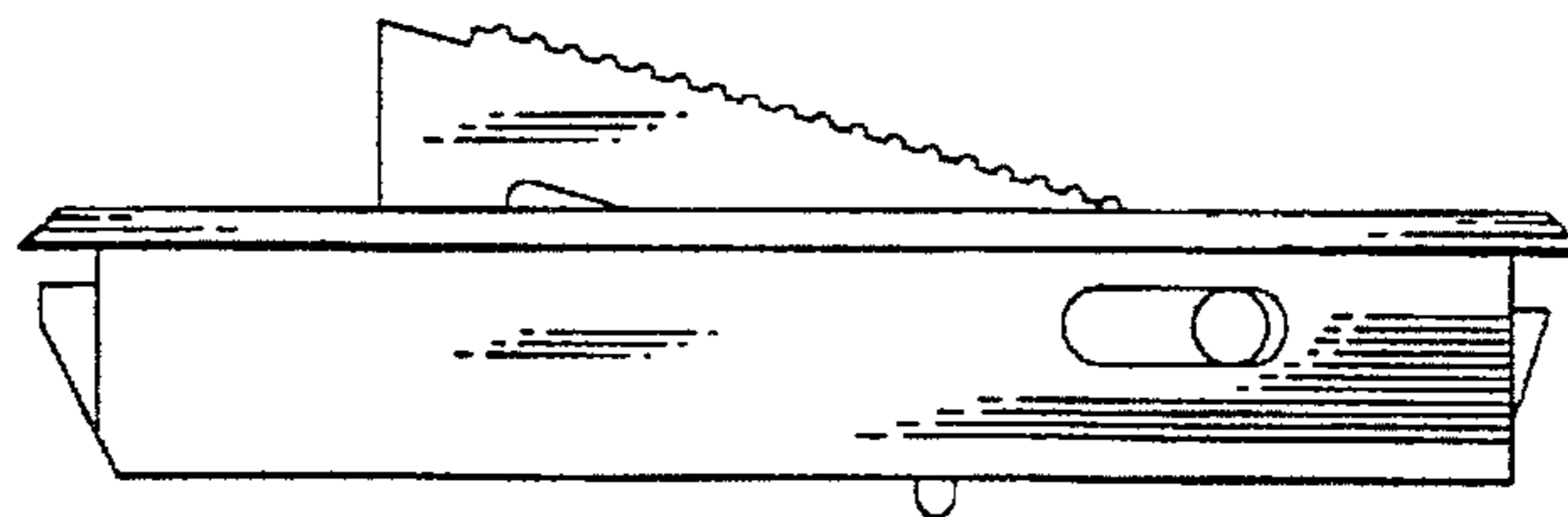


FIG. 7