



US00D380137S

# United States Patent [19]

[11] Patent Number: **Des. 380,137**

Carlson et al.

[45] Date of Patent: **\*\*Jun. 24, 1997**

[54] **LATCH FOR SECURING TILTABLE WINDOW PANELS AND SASHES TO A WINDOW FRAME**

4,640,048	2/1987	Winner et al. ....	49/449 X
4,791,756	12/1988	Simpson .....	49/449 X
4,901,475	2/1990	Simpson .....	49/449 X

[75] Inventors: **Dennis Carlson**, McPherson, Kans.; **Jeffrey B. Hersh**, Wayne, Pa.; **Dennis Westphal**, Parma, Mich.

### OTHER PUBLICATIONS

Ashland Products Trade Literature entitled "Single & Double Hung Slider Casement", Ashland Products, Chicago, Illinois, pub'd prior to application filing date.

[73] Assignee: **CertainTeed Corporation**, Valley Forge, Pa.

*Primary Examiner*—Brian N. Vinson  
*Attorney, Agent, or Firm*—Duane, Morris & Heckscher

[\*\*] Term: **14 Years**

### [57] CLAIM

[21] Appl. No.: **40,682**

The ornamental design for a latch for securing tiltable window panels and sashes to a window frame, as shown and described.

[22] Filed: **Jun. 23, 1995**

### DESCRIPTION

[51] LOC (6) Cl. .... **08-09**  
 [52] U.S. Cl. .... **D8/343; D8/331**  
 [58] Field of Search ..... D8/330-331, 336, D8/338, 339, 341, 343; 292/137, 163-164, DIG. 20, DIG. 35, DIG. 46, DIG. 47; 49/449, 504

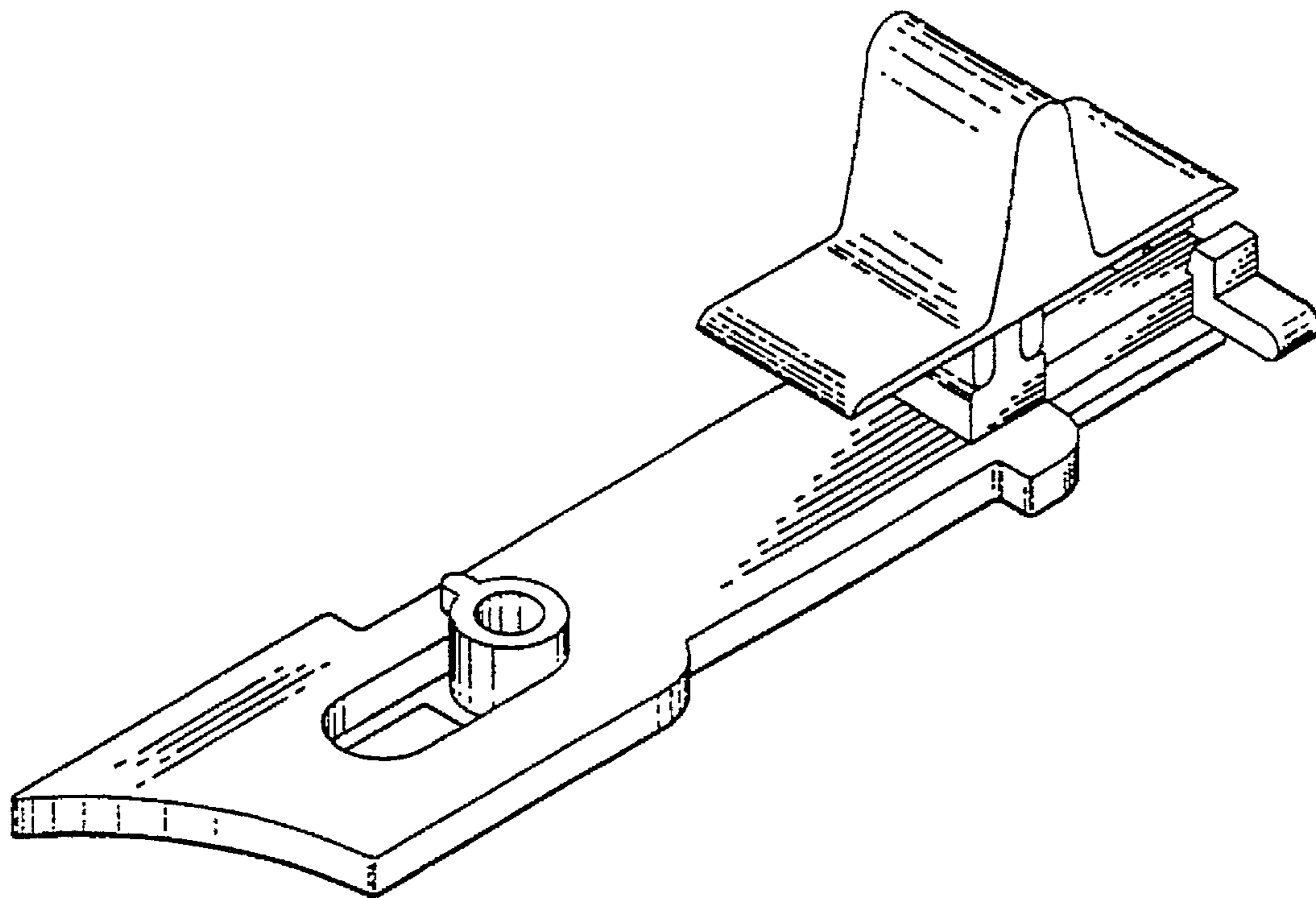
FIG. 1 is a front perspective view of a latch for securing tiltable window panels and sashes to a window frame showing our new design;  
 FIG. 2 is a left side elevational view thereof;  
 FIG. 3 is a right side elevational view thereof;  
 FIG. 4 is a top plan view thereof;  
 FIG. 5 is a bottom plan view thereof;  
 FIG. 6 is a front elevational view thereof; and,  
 FIG. 7 is a rear elevational view thereof.

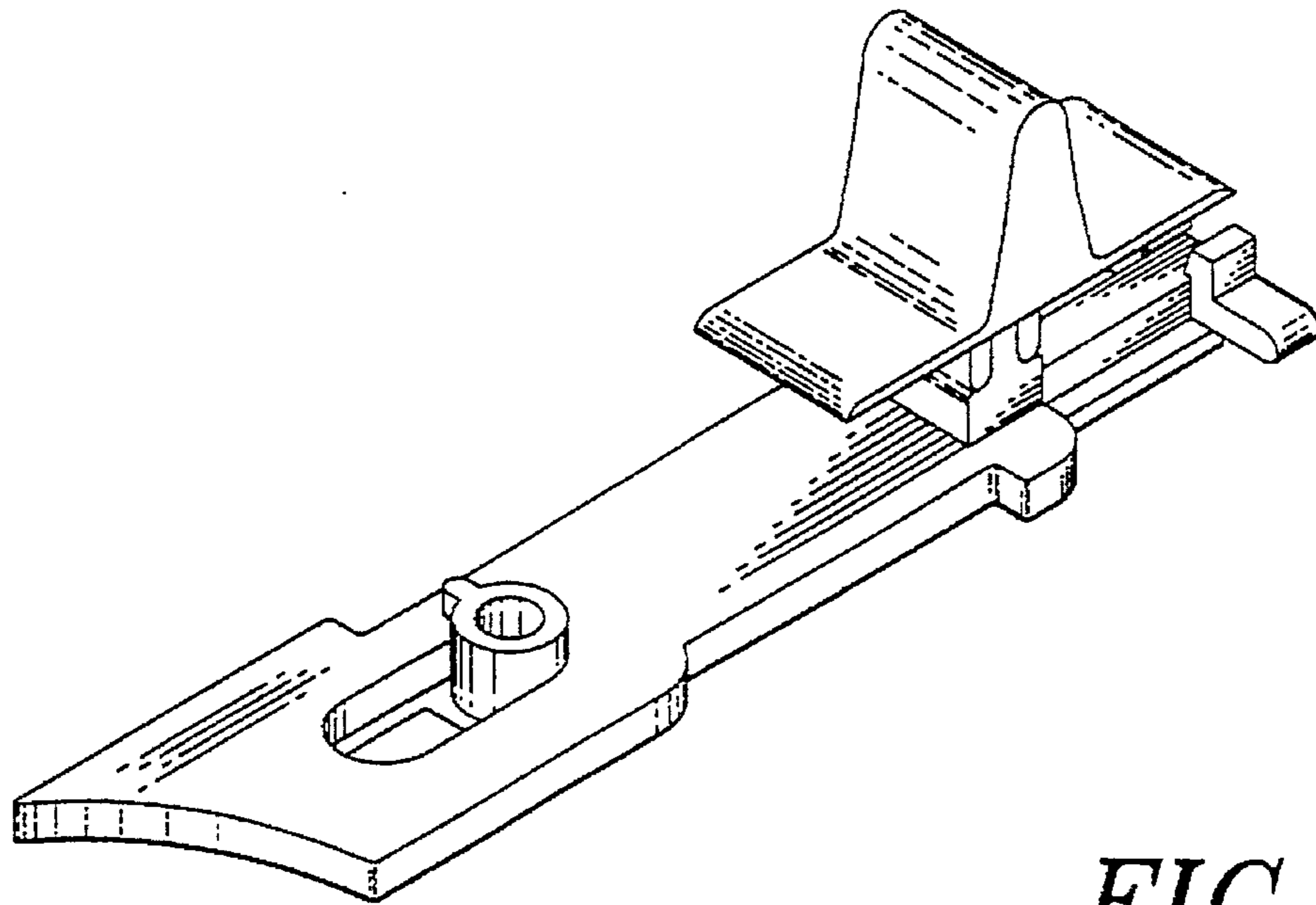
### [56] References Cited

#### U.S. PATENT DOCUMENTS

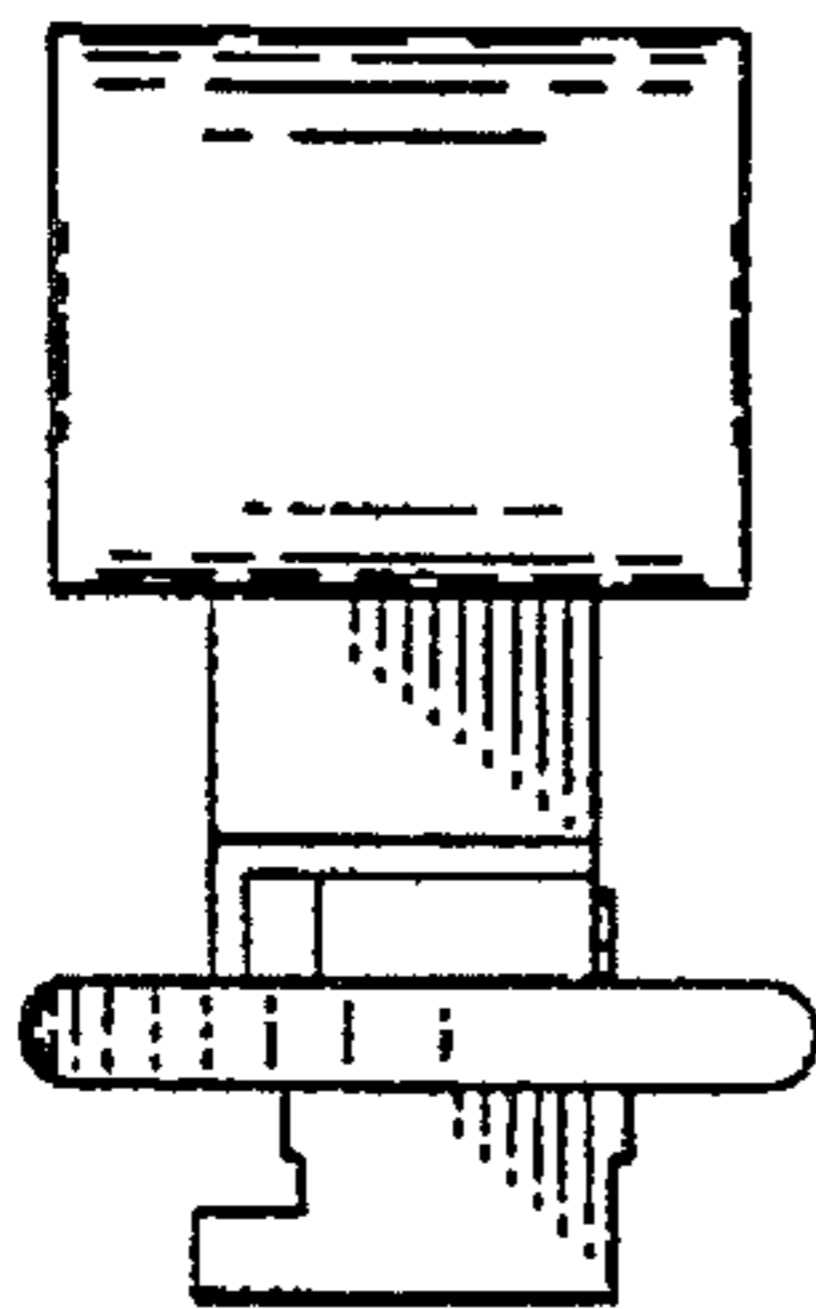
D. 371,502	7/1996	Morris .....	D8/331
4,475,311	10/1984	Gibson .....	49/449 X
4,553,353	11/1985	Simpson .....	49/449 X

**1 Claim, 2 Drawing Sheets**

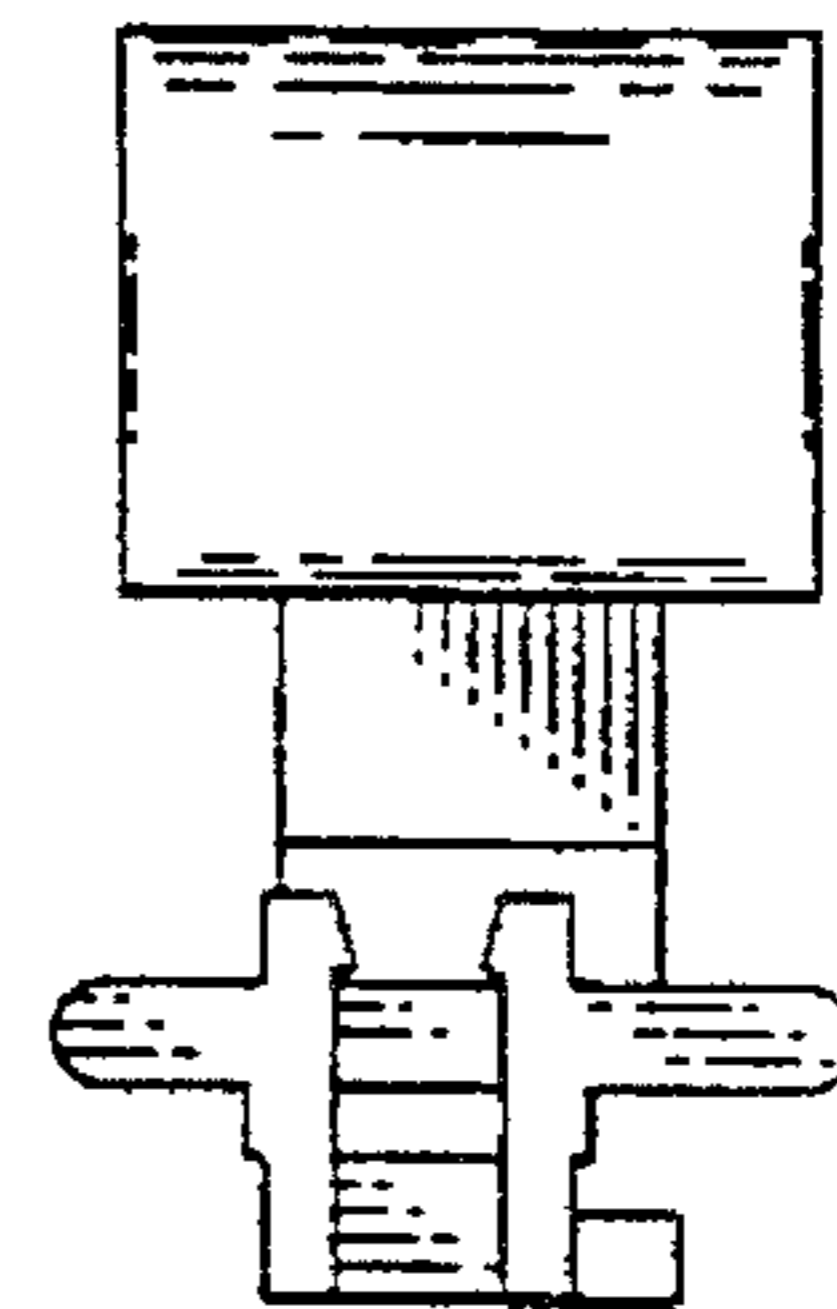




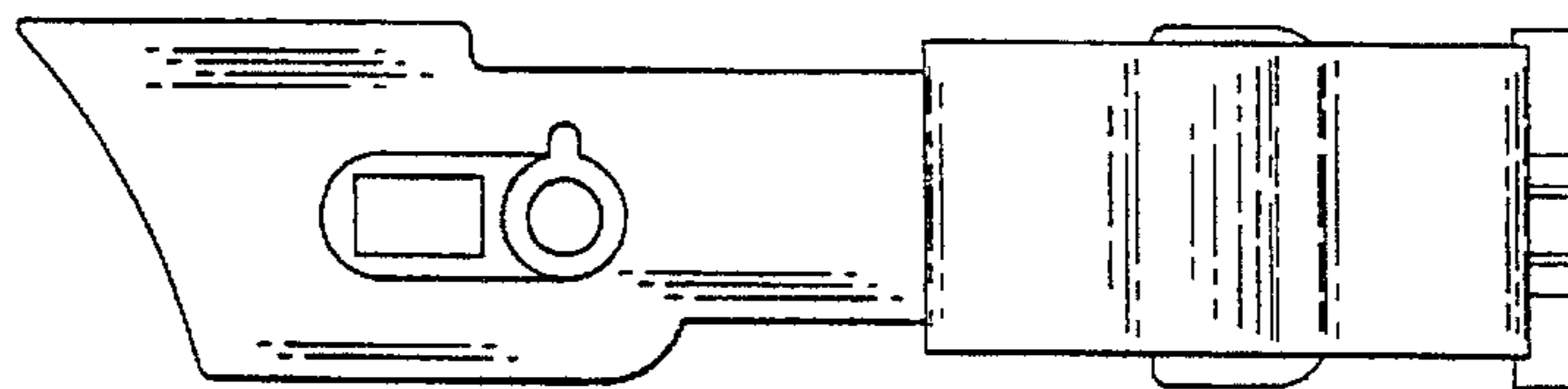
*FIG. 1*



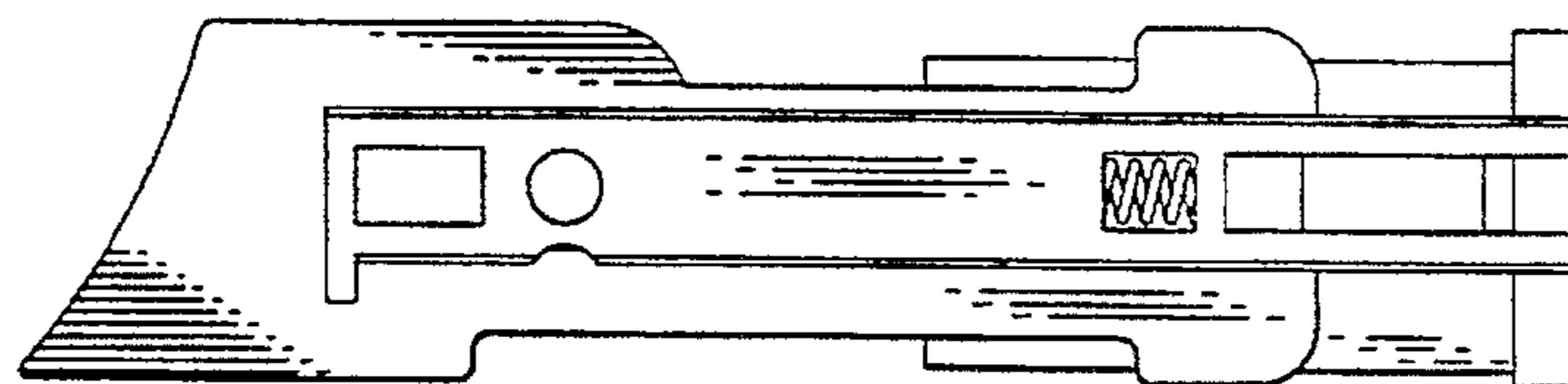
*FIG. 2*



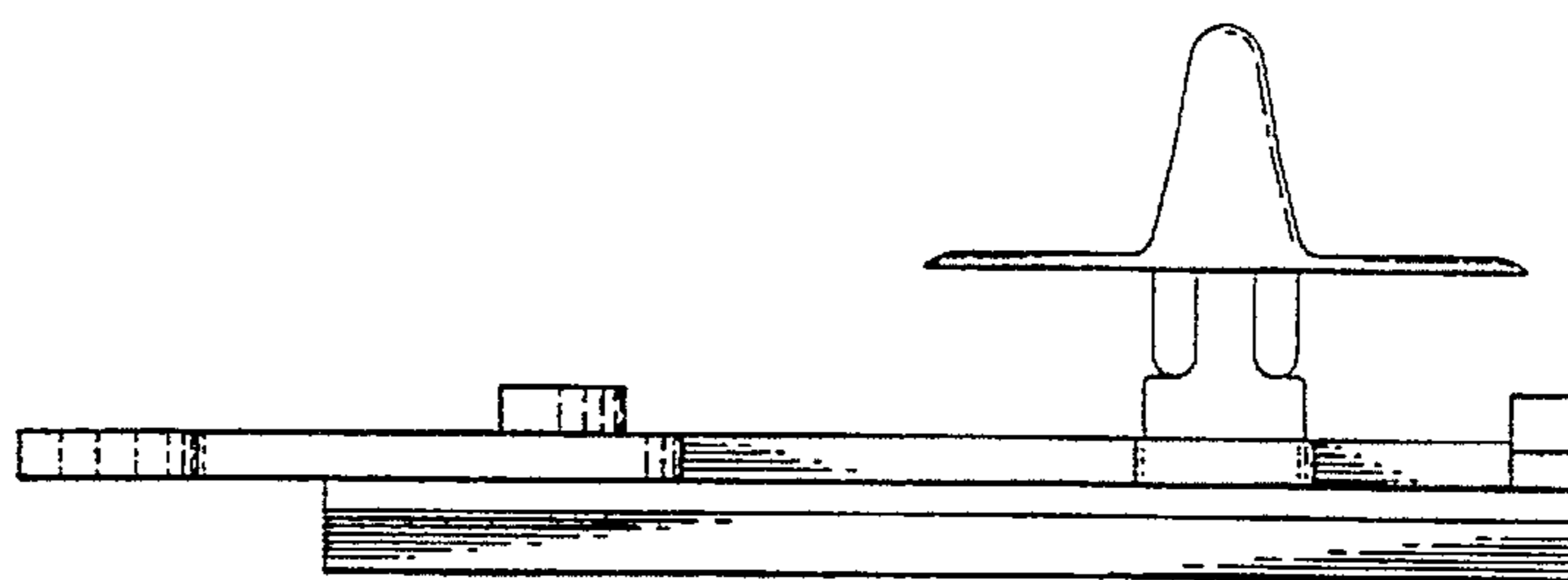
*FIG. 3*



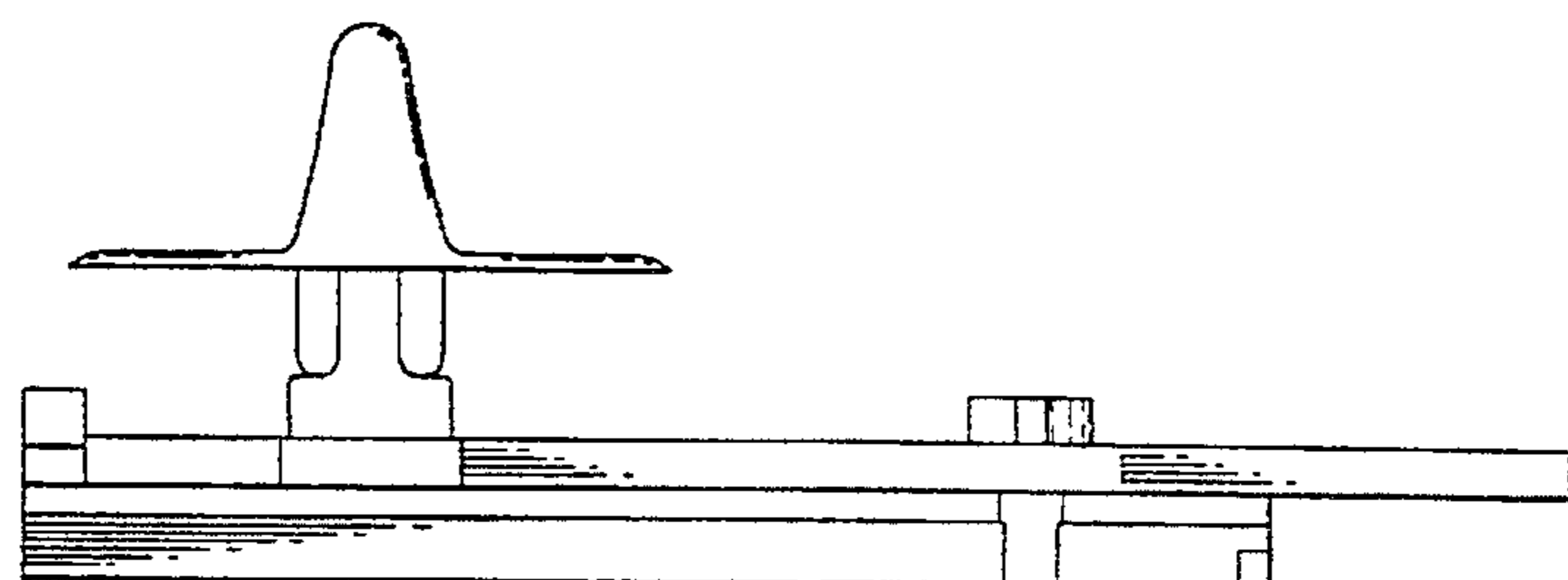
*FIG. 4*



*FIG. 5*



*FIG. 6*



*FIG. 7*