



US00D380133S

# United States Patent [19]

Rochette et al.

[11] Patent Number: **Des. 380,133**

[45] Date of Patent: **\*\*Jun. 24, 1997**

[54] **COMBINED ROSE AND LEVER HANDLE**

[75] Inventors: **William J. Rochette**, Meriden; **Thomas F. Hennessy**, Bristol, both of Conn.

[73] Assignee: **International Security Products, Inc.**, Southington, Conn.

[\*\*] Term: **14 Years**

[21] Appl. No.: **27,647**

[22] Filed: **Aug. 26, 1994**

[51] LOC (6) Cl. .... **08-06**

[52] U.S. Cl. .... **D8/301**

[58] Field of Search ..... D8/300, 301, 307, D8/308, 311, 315; 16/110 R, 114 R, 116 R, DIG. 18, DIG. 19; 70/DIG. 73; 74/543, 545; 81/489; 292/DIG. 6, DIG. 68

D. 298,411	11/1988	Castiglioni	.....	D8/308 X
D. 313,542	1/1991	Fayerman	.....	D8/308
D. 317,706	6/1991	Boeri	.....	D8/308
1,989,420	1/1935	Keeler	.....	74/545

*Primary Examiner*—Ted Shooman  
*Assistant Examiner*—Dominic Simone  
*Attorney, Agent, or Firm*—Chilton, Alix & Van Kirk

## [57] CLAIM

The ornamental design for a combined rose and lever handle, as shown and described.

## DESCRIPTION

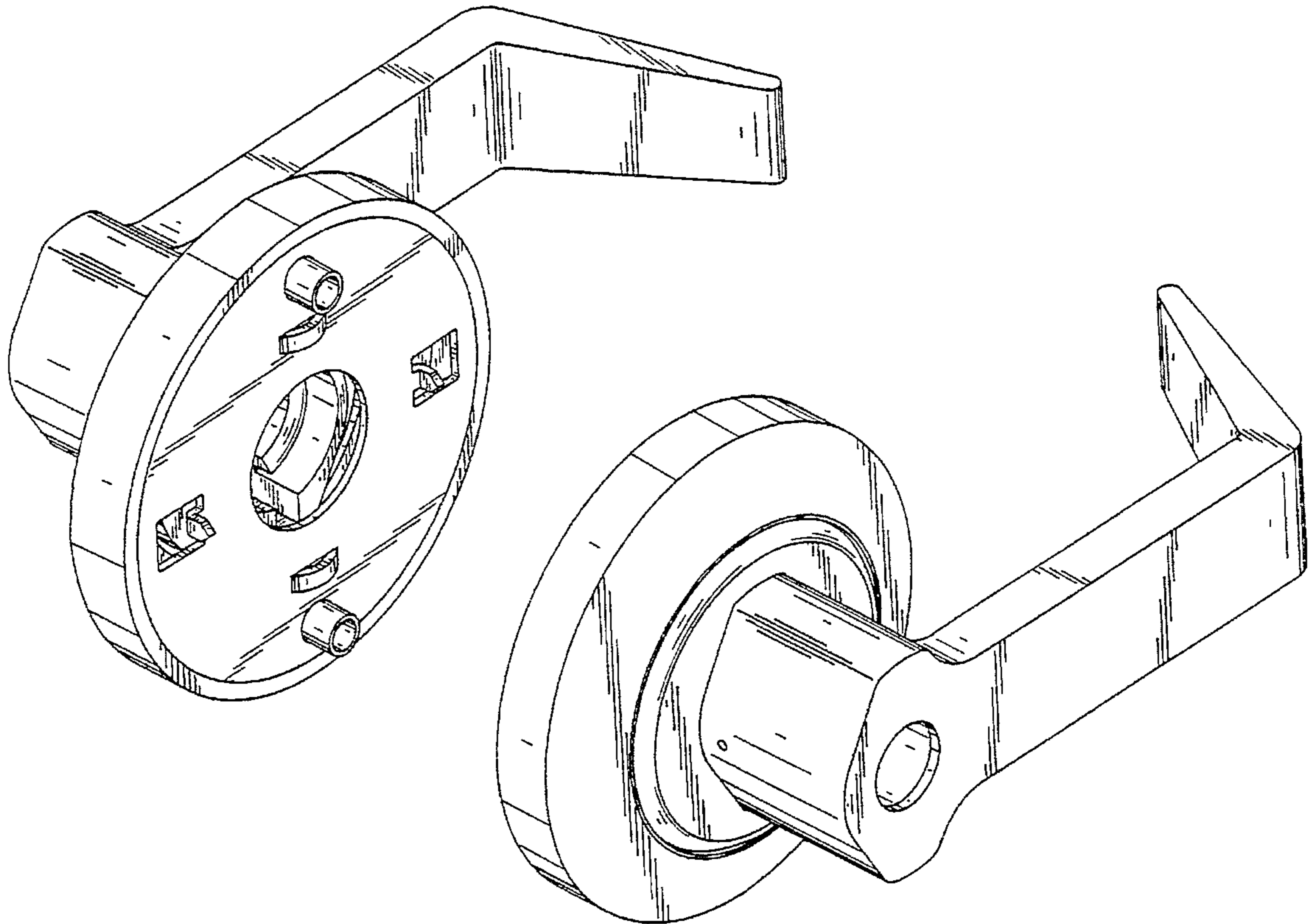
FIG. 1 is a front perspective view of a combined rose and lever handle showing our new design; and, FIG. 2 is a rear perspective view thereof.

## [56] References Cited

### U.S. PATENT DOCUMENTS

D. 151,379 10/1948 MacKichan ..... D8/315 X

**1 Claim, 1 Drawing Sheet**



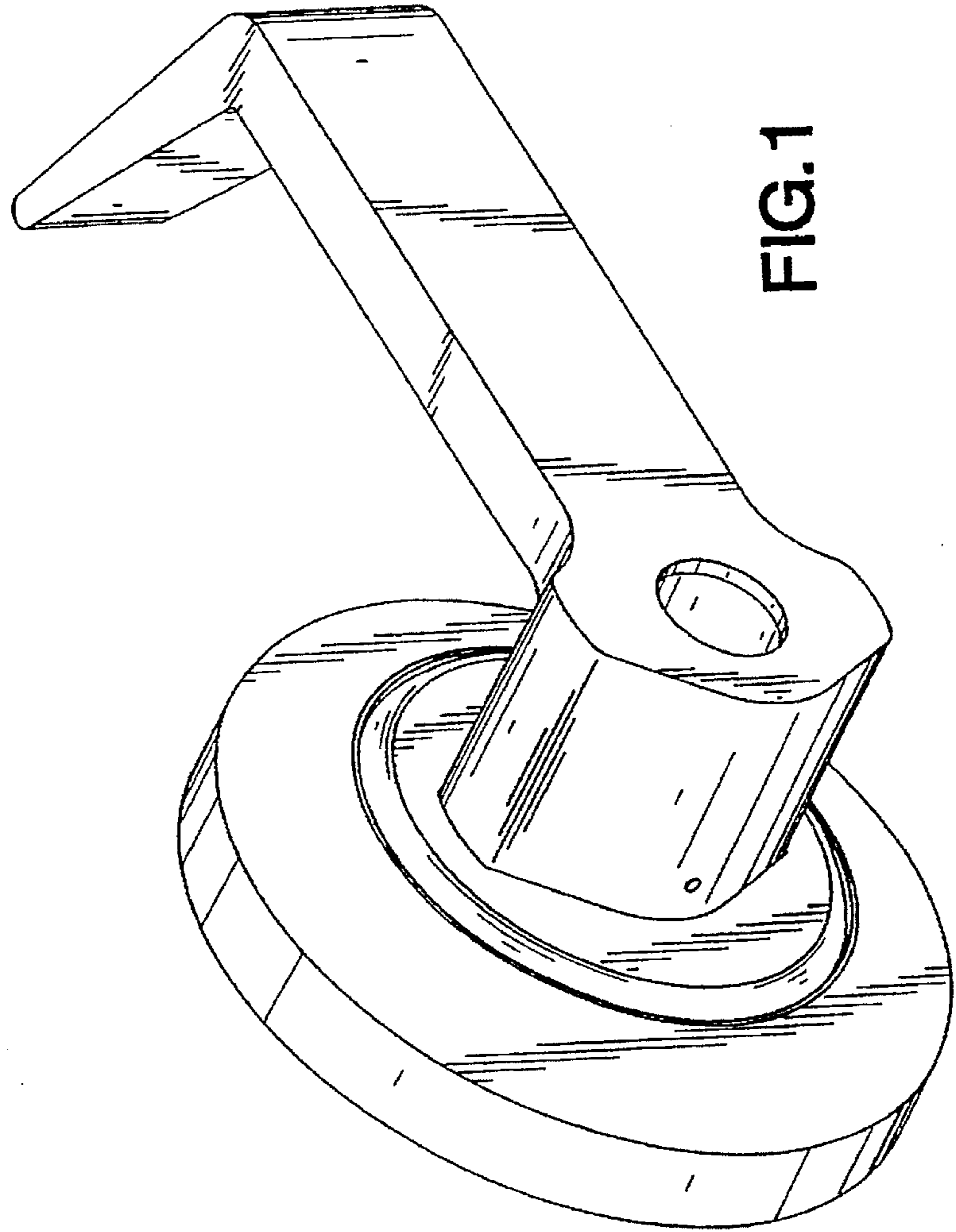


FIG. 1

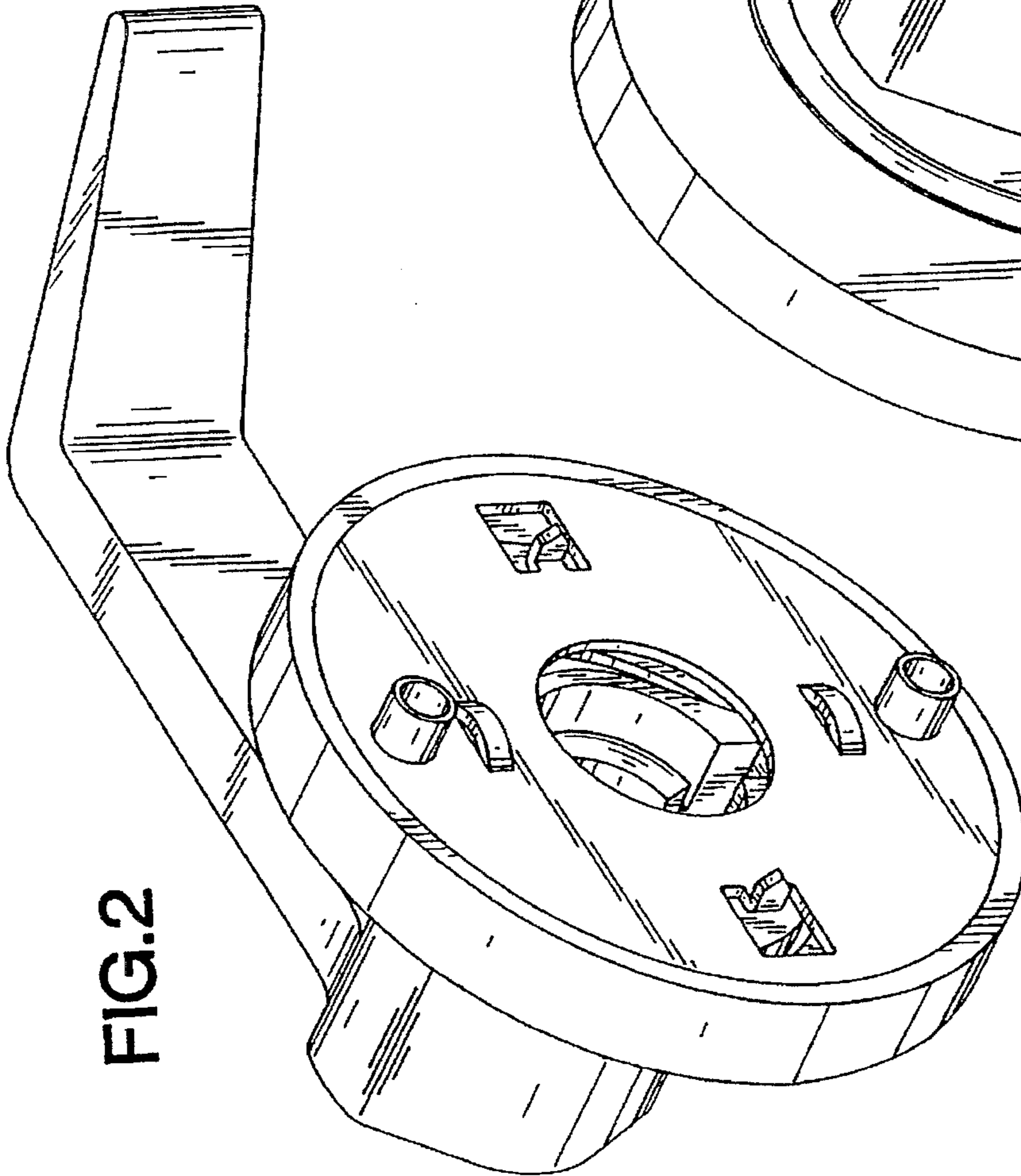


FIG. 2