



US00D380132S

United States Patent [19]

Matsunaga et al.

[11] Patent Number: Des. 380,132

[45] Date of Patent: **Jun. 24, 1997

[54] PORTABLE ELECTRIC HAMMER DRILL

4,378,053 3/1983 Simpson 173/48
4,930,583 6/1990 Fushiya et al. 173/170

[75] Inventors: Naoki Matsunaga, Milan, Italy;
Hideaki Hasegawa, Funabashi, Japan;
Yoshihiko Watanabe, Ibaraki-ken,
Japan; Toshiaki Takagi, Hitachinaka,
Japan; Seiichi Kodato, Ibaraki-ken,
Japan

OTHER PUBLICATIONS

Hammer-Drill illustration, *HAC Magazine*, Feb. 1971, p. 35.

Skil™ Rotary Hammer Model 1750, illustration bottom right corner of p. 42, *Popular Mechanics Magazine*, May 1987.

Bosch "Bulldog™" SDS Rotary Hammer Model 11213RK, Bosch Catalog 9000570300M, dated Sep. 1990, p. 13.

Electro Pneumatic Rotary Hammer Model PHD 38, AEG Power Tool Catalog 014 420-3/APTC 0386.

[73] Assignee: Hitachi Koki Company Limited,
Tokyo, Japan

[**] Term: 14 Years

Primary Examiner—James Gandy

Assistant Examiner—Robert M. Spear

Attorney, Agent, or Firm—Lowe, Price, LeBlanc & Becker

[21] Appl. No.: 39,111

[22] Filed: May 18, 1995

[30] Foreign Application Priority Data

Nov. 18, 1994 [JP] Japan 6-35183

[51] LOC (6) Cl. 08-01

[52] U.S. Cl. D8/69

[58] Field of Search D8/29.1, 61, 68,
D8/69; 81/57.11, 57.13, 57.14, 57.29, 464,
469, DIG. 12; 173/13, 48, 170

[57] CLAIM

The ornamental design for a portable electric hammer drill, as shown.

DESCRIPTION

FIG. 1 is a front perspective view of the portable electric hammer drill;

FIG. 2 is a left side elevational view thereof;

FIG. 3 is a right side elevational view thereof;

FIG. 4 is a front elevational view thereof;

FIG. 5 is a rear elevational view thereof;

FIG. 6 is a top plan view thereof; and,

FIG. 7 is a bottom plan view thereof.

[56] References Cited

U.S. PATENT DOCUMENTS

D. 280,071 8/1985 Oefinger D8/61
D. 328,556 8/1992 Fushiya et al. D8/69
D. 334,876 4/1993 Swetish D8/29.1
D. 349,029 7/1994 Matsunaga et al. D8/69

1 Claim, 3 Drawing Sheets

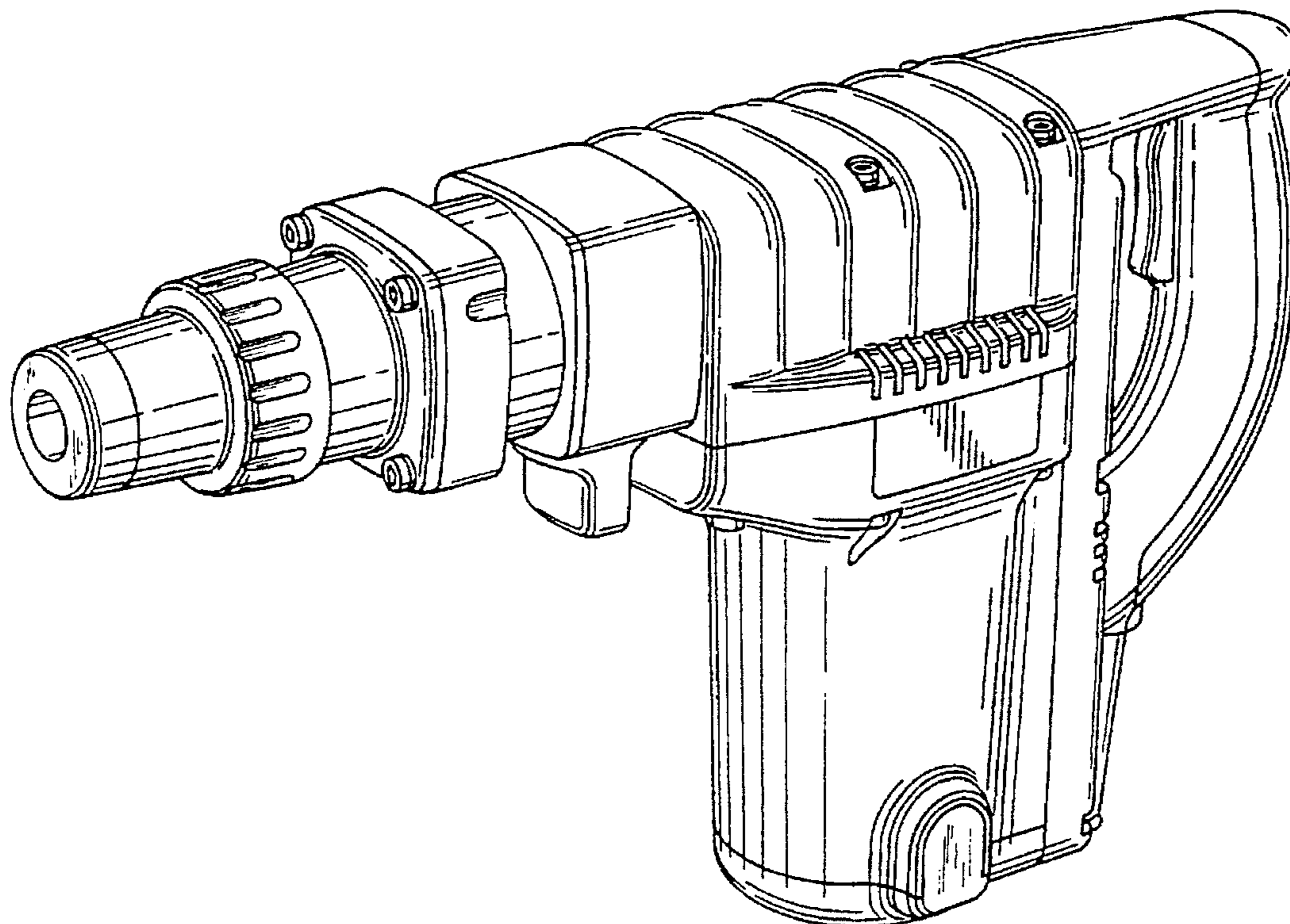


FIG. 1

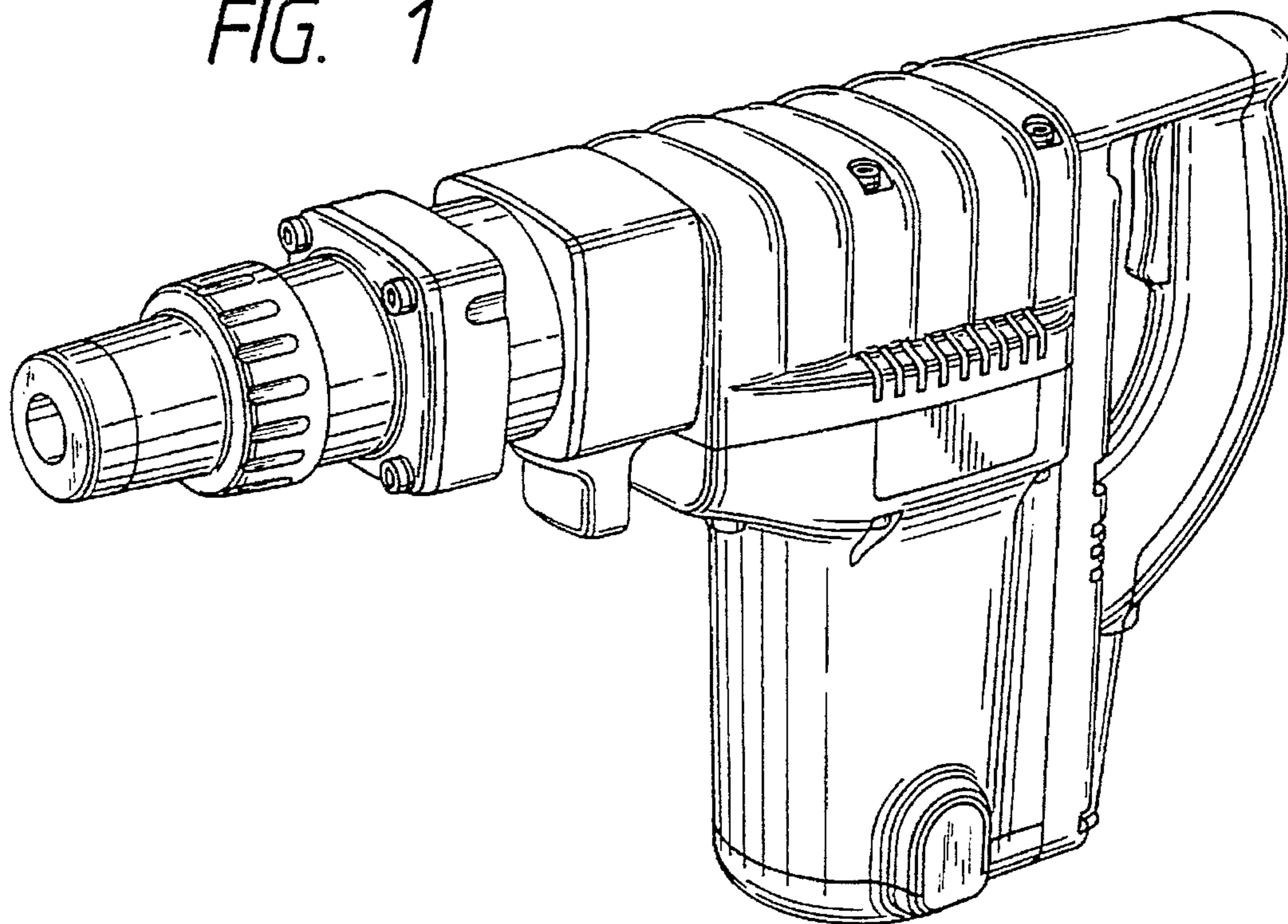


FIG. 2

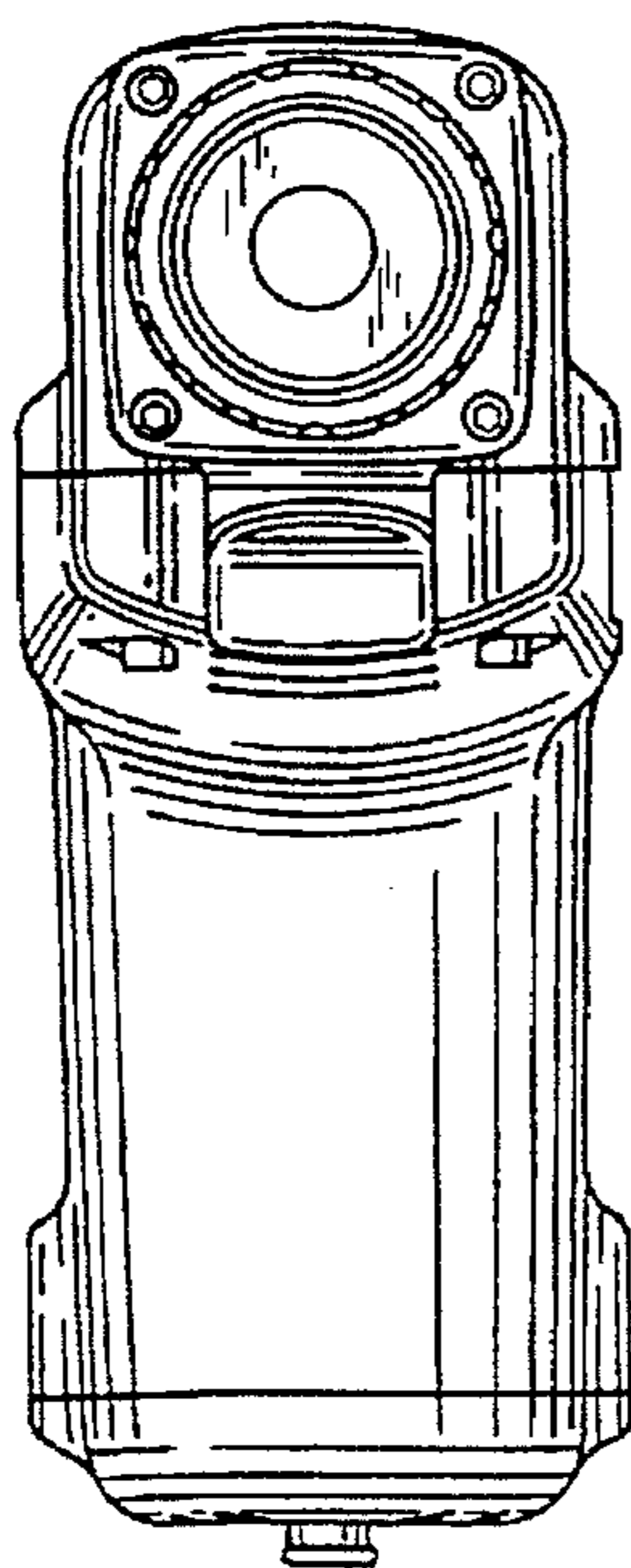


FIG. 3

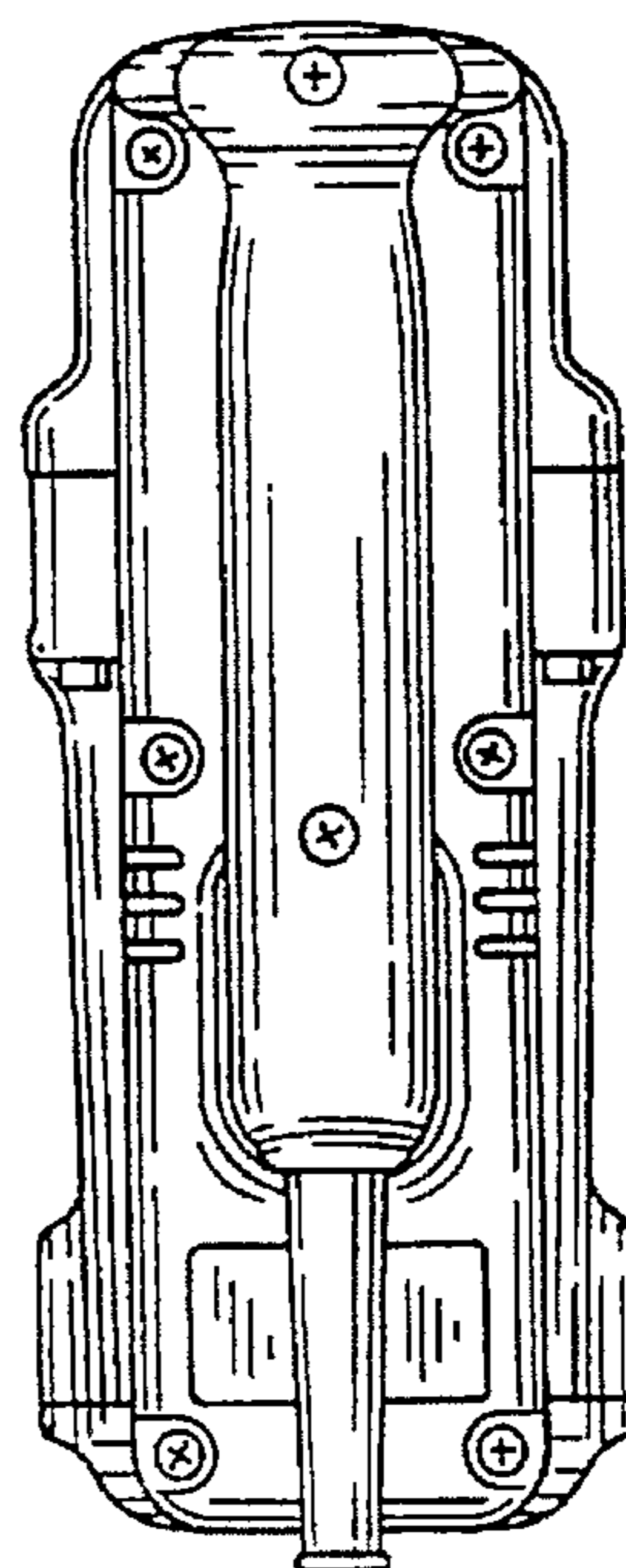


FIG. 4

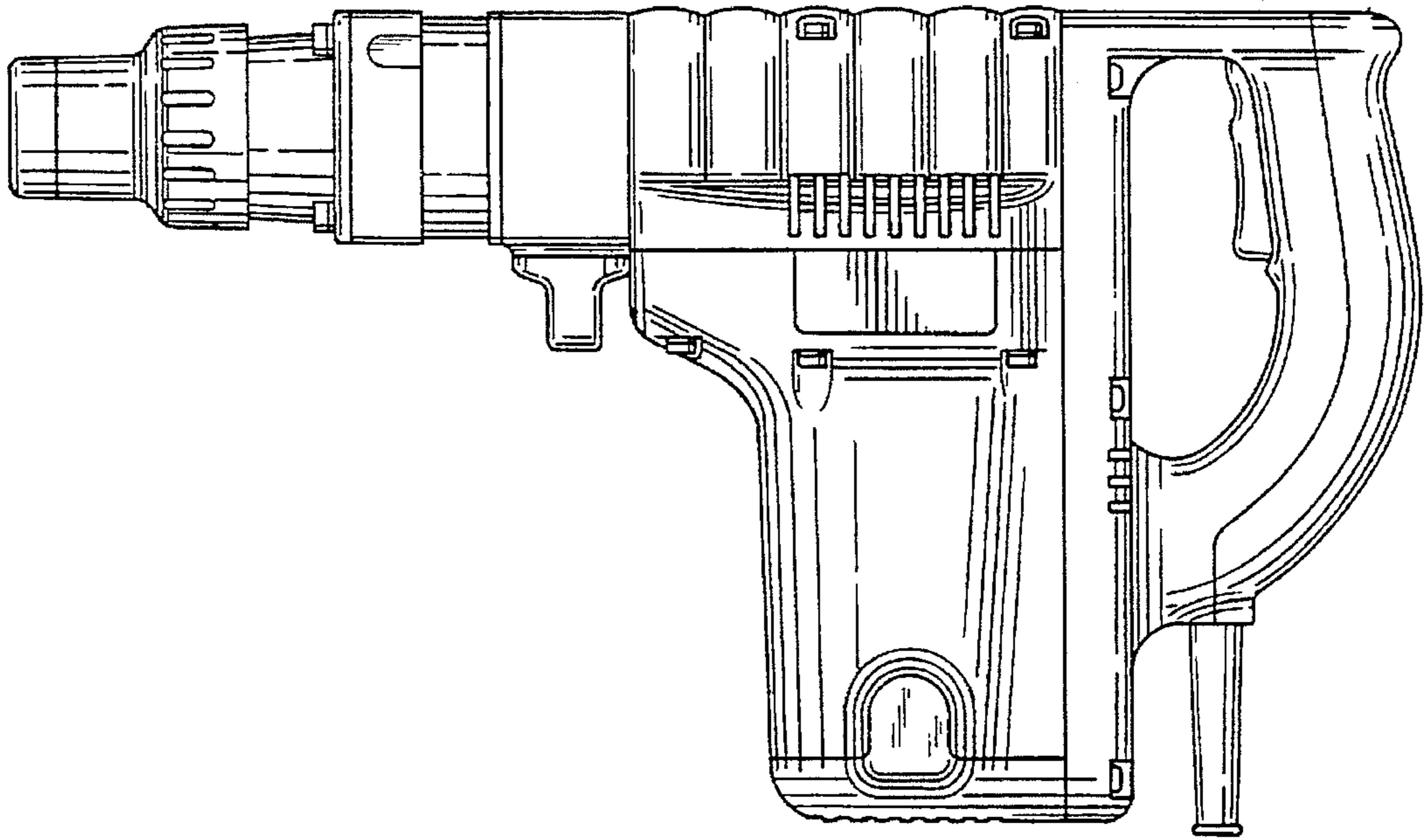


FIG. 5

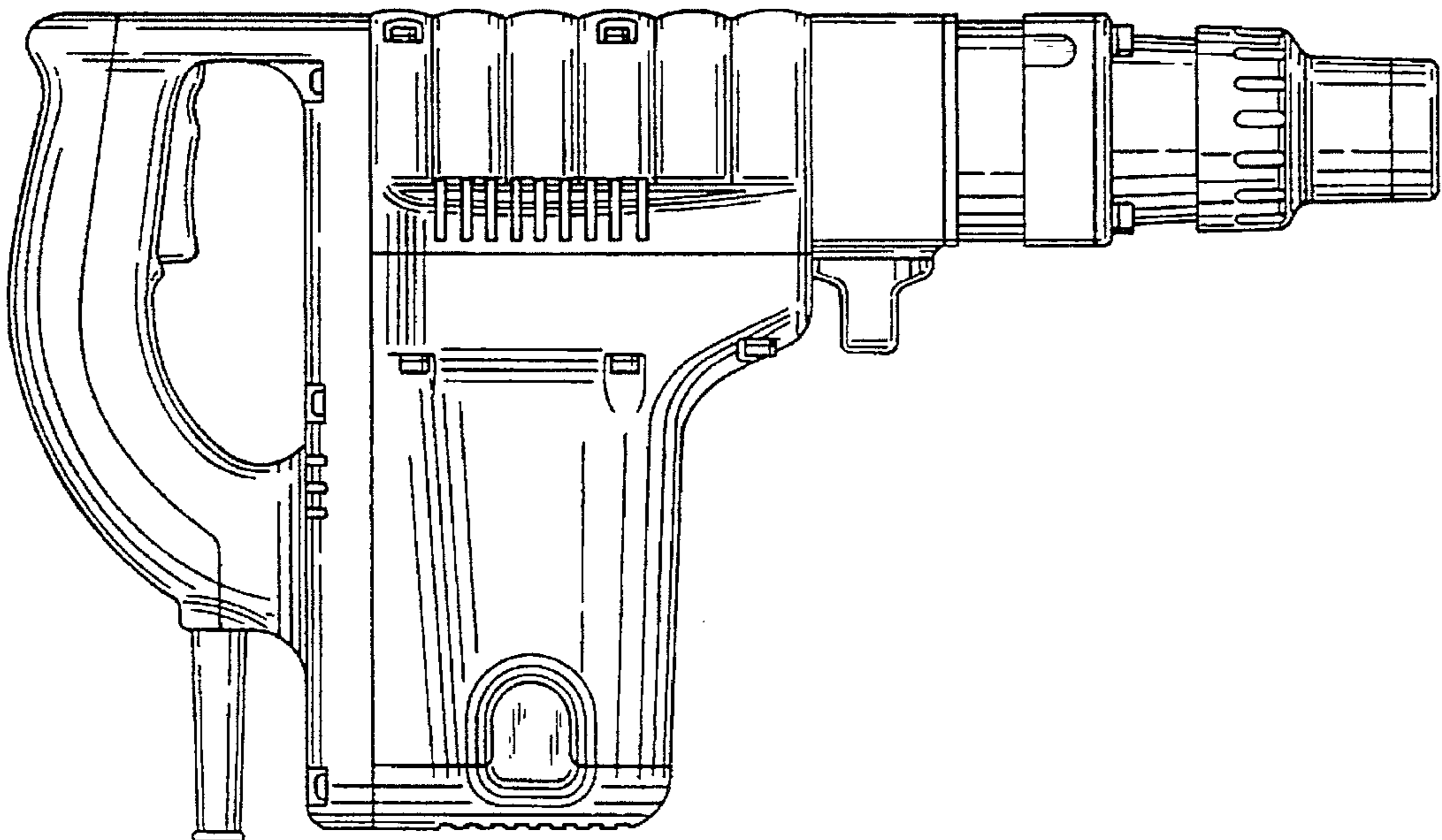


FIG. 6

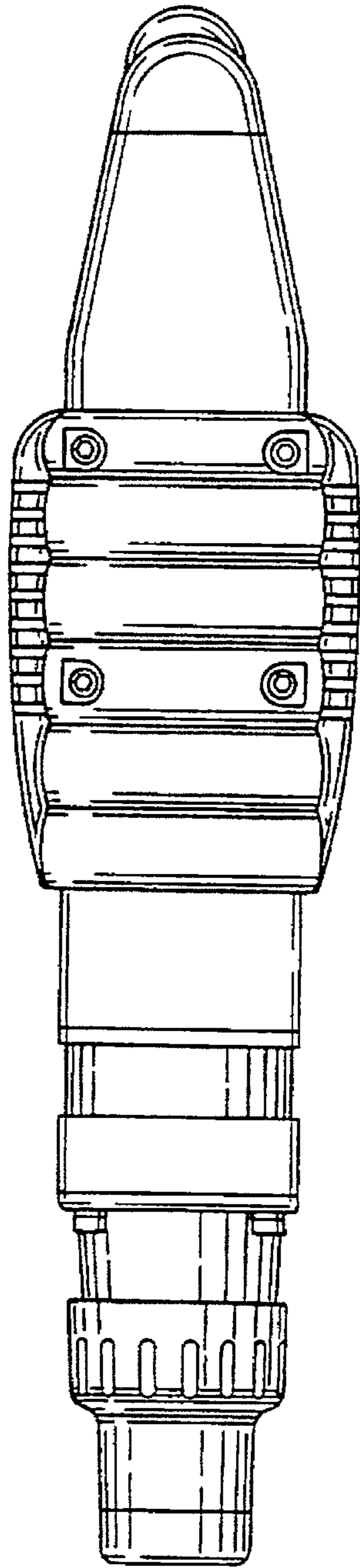


FIG. 7

