



US00D380131S

United States Patent [19]
Sung

[11] **Patent Number: Des. 380,131**

[45] **Date of Patent: **Jun. 24, 1997**

[54] **RATCHET WRENCH**

[75] **Inventor: Eric Sung, Ta-Li, Taiwan**

[73] **Assignee: K.K.U. Limited, Tokyo, Japan**

[**] **Term: 14 Years**

[21] **Appl. No.: 45,585**

[22] **Filed: Oct. 24, 1995**

[51] **LOC (6) Cl. 08-05**

[52] **U.S. Cl. D8/61; D8/25**

[58] **Field of Search D8/21-28, 61;
81/54, 57.13, 57.14, 57.39, 57.42, 60-63.2**

[56] **References Cited**

U.S. PATENT DOCUMENTS

D. 265,962	8/1982	Izumisawa	D8/25
D. 289,135	4/1987	Doman	D8/61
D. 334,124	3/1993	Izumisawa	D8/61
5,231,901	8/1993	Putney et al.	81/57.39

OTHER PUBLICATIONS

Automotive Air Tools, Chicago Pneumatic Catalog, Mar. 1990, pp. 22-25.

Air Tools, Florida Pneumatic Catalog, pp. 2 and 3, undated.

Primary Examiner—Terry A. Wallace

Attorney, Agent, or Firm—Greer, Burns & Crain, Ltd.

[57] **CLAIM**

The ornamental design for a ratchet wrench, as shown and described.

DESCRIPTION

FIG. 1 is a perspective view of a ratchet wrench showing my new design;

FIG. 2 is a top plan view thereof;

FIG. 3 is a bottom plan view thereof;

FIG. 4 is a rear elevation view thereof;

FIG. 5 is a left side elevation view thereof; and,

FIG. 6 is a front elevation view thereof.

1 Claim, 2 Drawing Sheets

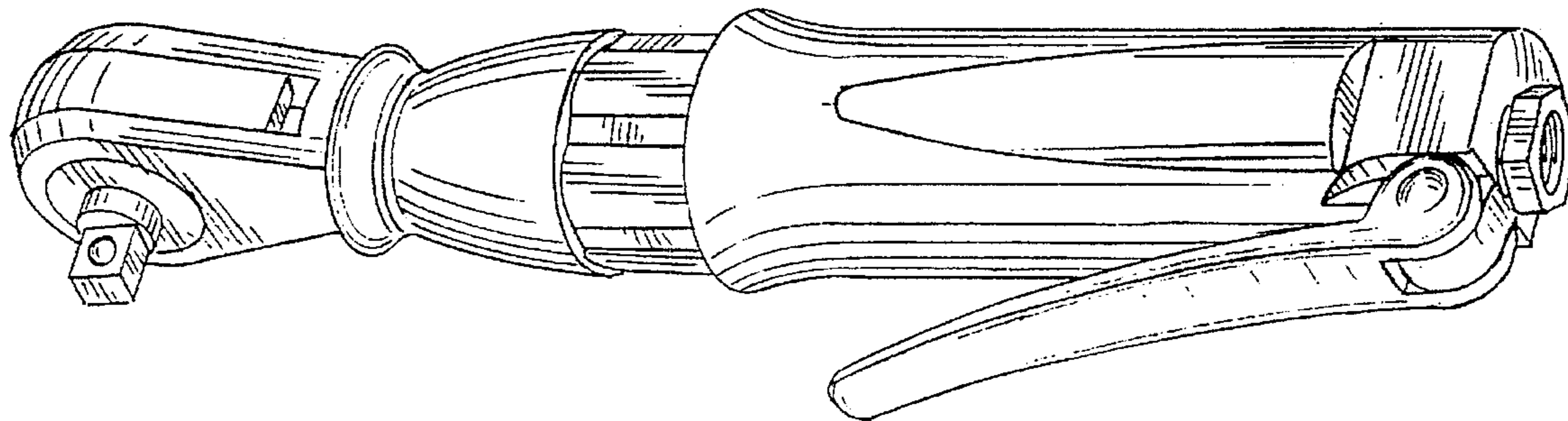


FIG.1

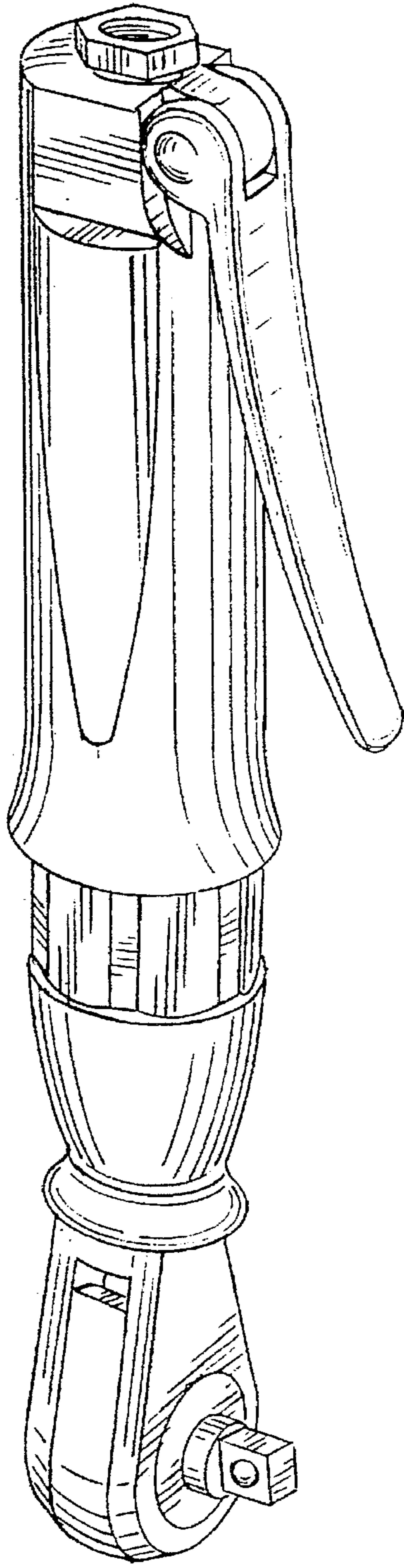


FIG.2

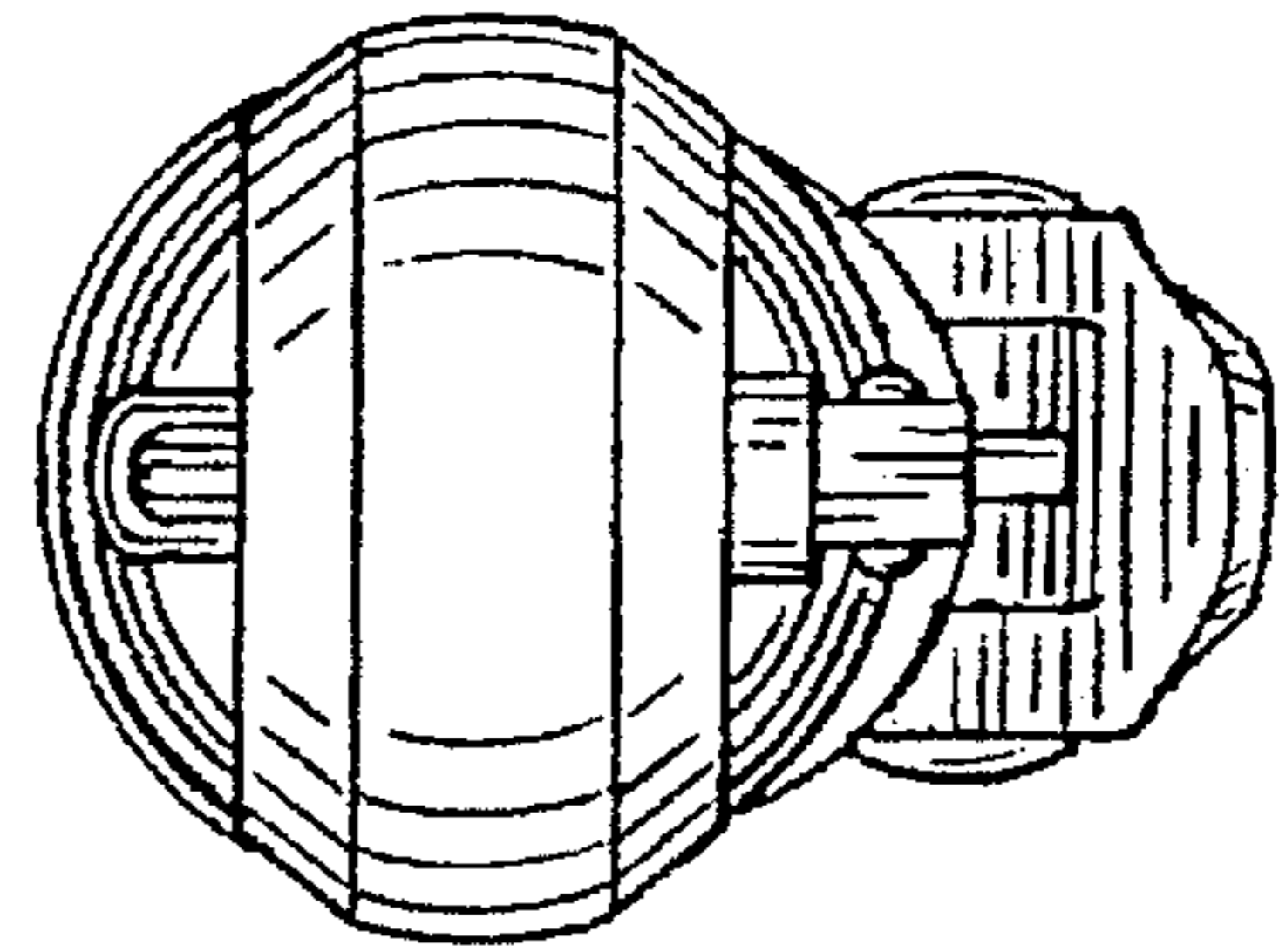
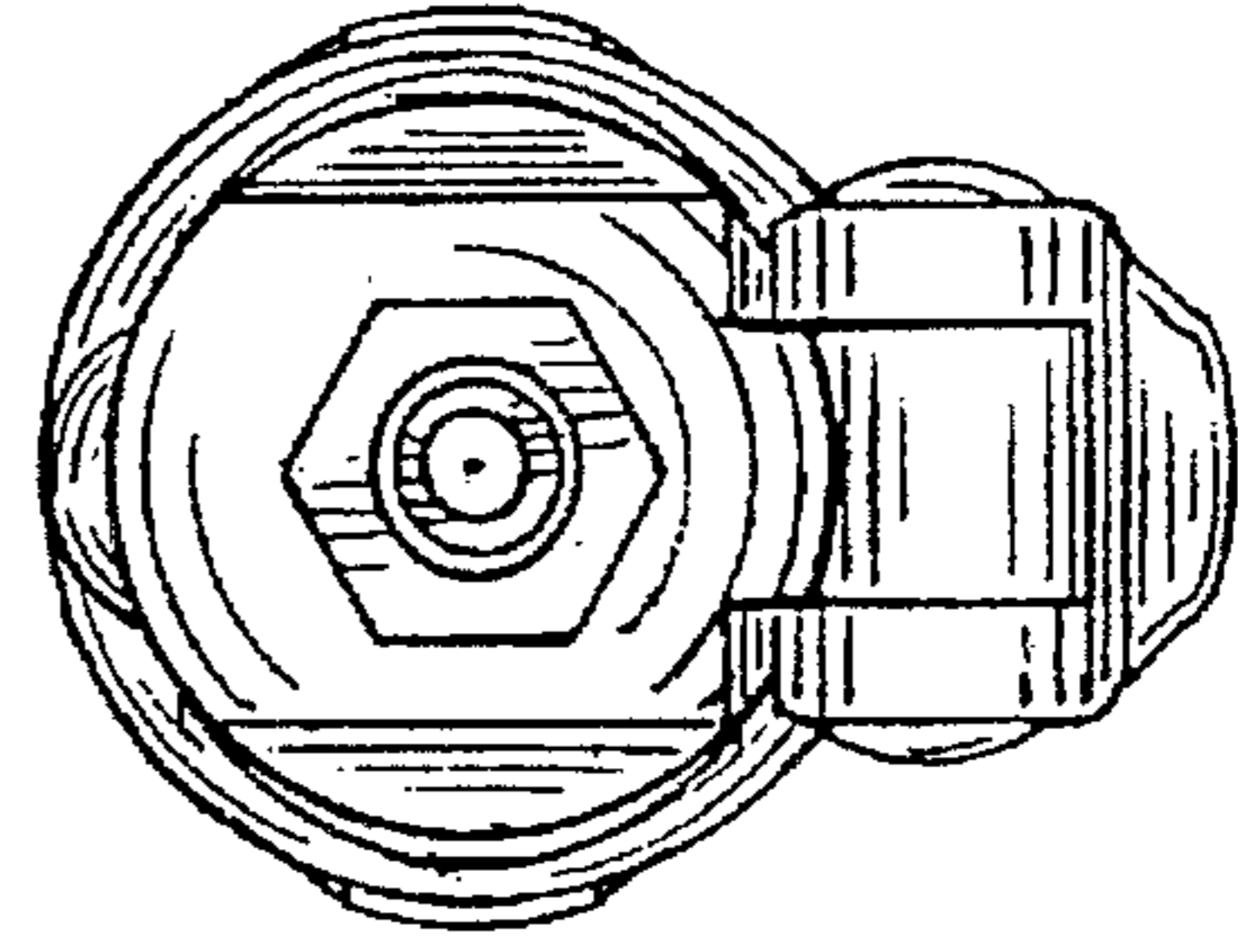


FIG.3



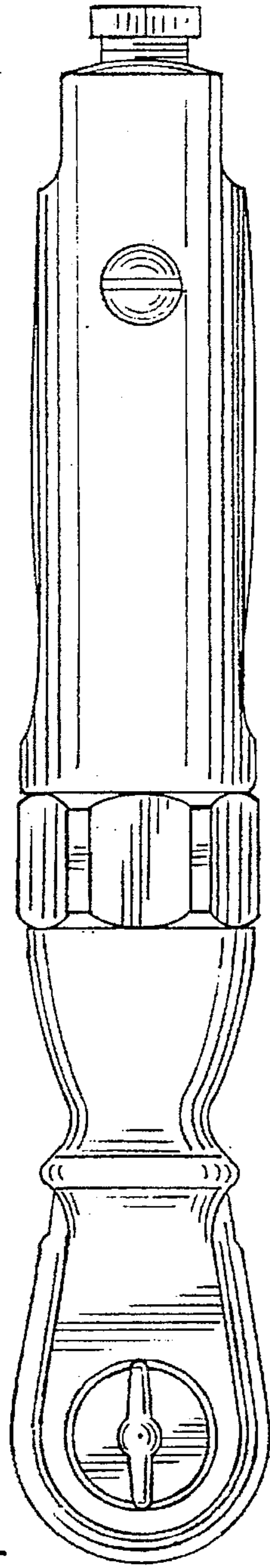


FIG. 4

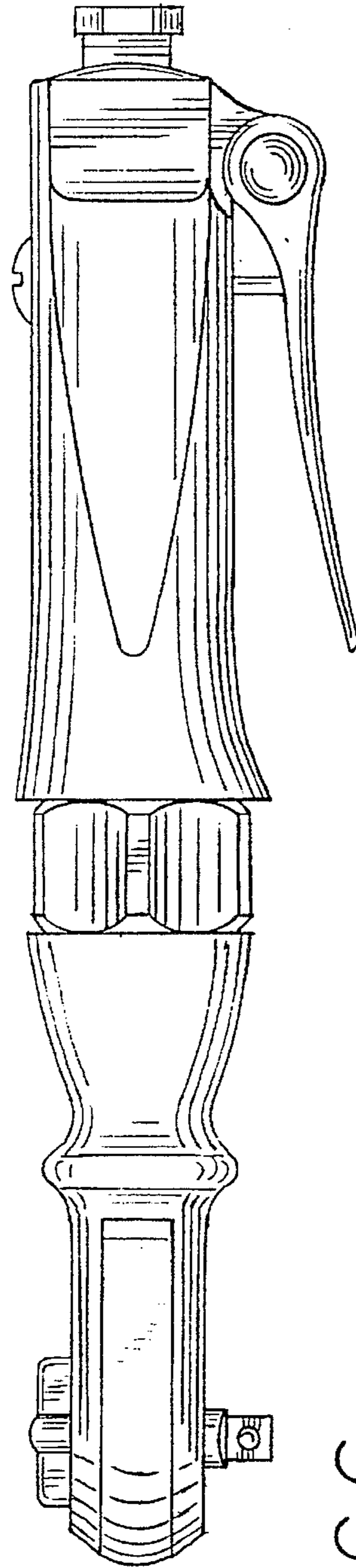


FIG. 5

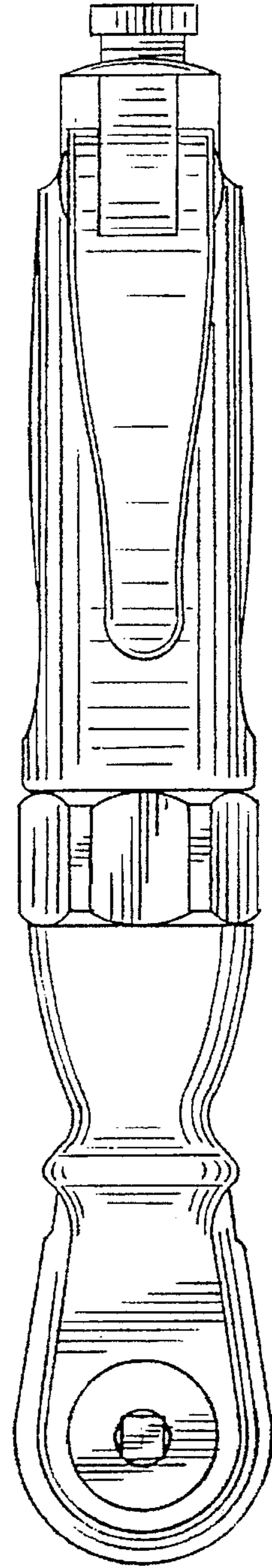


FIG. 6