



US00D380129S

United States Patent [19]

[11] Patent Number: **Des. 380,129**

Meisner et al.

[45] Date of Patent: ****Jun. 24, 1997**

[54] **VEGETATION-CUTTING TOOL**

[75] Inventors: **Edward Meisner**, Short Hills, N.J.;
Keith Kristiansen, Stratford, Conn.;
Michael Ballone, New Providence,
N.J.; **Roger Q. Smith**, Reisterstown,
Md.

[73] Assignee: **Black & Decker Inc.**, Newark, Del.

[**] Term: **14 Years**

[21] Appl. No.: **40,282**

[22] Filed: **Jun. 14, 1995**

[51] LOC (6) Cl. **08-01**

[52] U.S. Cl. **D8/8**

[58] Field of Search **D8/8; 56/12.7;**
30/276

[56] **References Cited**

U.S. PATENT DOCUMENTS

D. 249,630 9/1978 Ballas D8/8
D. 251,699 5/1979 Averitt D8/8

(List continued on next page.)

FOREIGN PATENT DOCUMENTS

0515909 5/1992 European Pat. Off. .

OTHER PUBLICATIONS

Weed Eater catalog, Mar. 1986, p. 2, electric trimmer model
No. 1208, located at top of page.

(List continued on next page.)

Primary Examiner—Holly Baynham

Attorney, Agent, or Firm—Charles E. Yocum; Dennis A.
Dearing; John D. Del Ponti

[57] **CLAIM**

The ornamental design for a vegetation-cutting tool, as
shown in the drawings.

DESCRIPTION

FIG. 1 is a right side perspective view of a preferred

embodiment of the vegetation-cutting tool in accordance
with the present invention;

FIG. 2 is a bottom view of the vegetation-cutting tool of
FIG. 1;

FIG. 3 is a top view of the vegetation-cutting tool of FIG. 1;
FIG. 4 is a rear view of the vegetation-cutting tool of FIG.
1;

FIG. 5 is a front view of the vegetation-cutting tool shown
in FIG. 1;

FIG. 6 is a right side view of the vegetation-cutting tool
shown in FIG. 1;

FIG. 7 is a left side view of the vegetation-cutting tool of
FIG. 1;

FIG. 8 is a perspective view of the right side of the
vegetation-cutting tool in accordance with an alternative
preferred embodiment of the present invention;

FIG. 9 is a bottom view of the vegetation-cutting tool of
FIG. 8;

FIG. 10 is a top view of the vegetation-cutting tool of FIG.
8;

FIG. 11 is a rear view of the vegetation-cutting tool of FIG.
8;

FIG. 12 is a front view of the vegetation-cutting tool of FIG.
8;

FIG. 13 is a right view of the vegetation-cutting tool of FIG.
8; and

FIG. 14 is a left view of the vegetation-cutting tool of FIG.
8;

FIG. 15 is a perspective view of the right side of the
vegetation-cutting tool in accordance with an alternative
preferred embodiment of the present invention;

FIG. 16 is a bottom view of the vegetation-cutting tool of
FIG. 15;

FIG. 17 is a top view of the vegetation-cutting tool of FIG.
15;

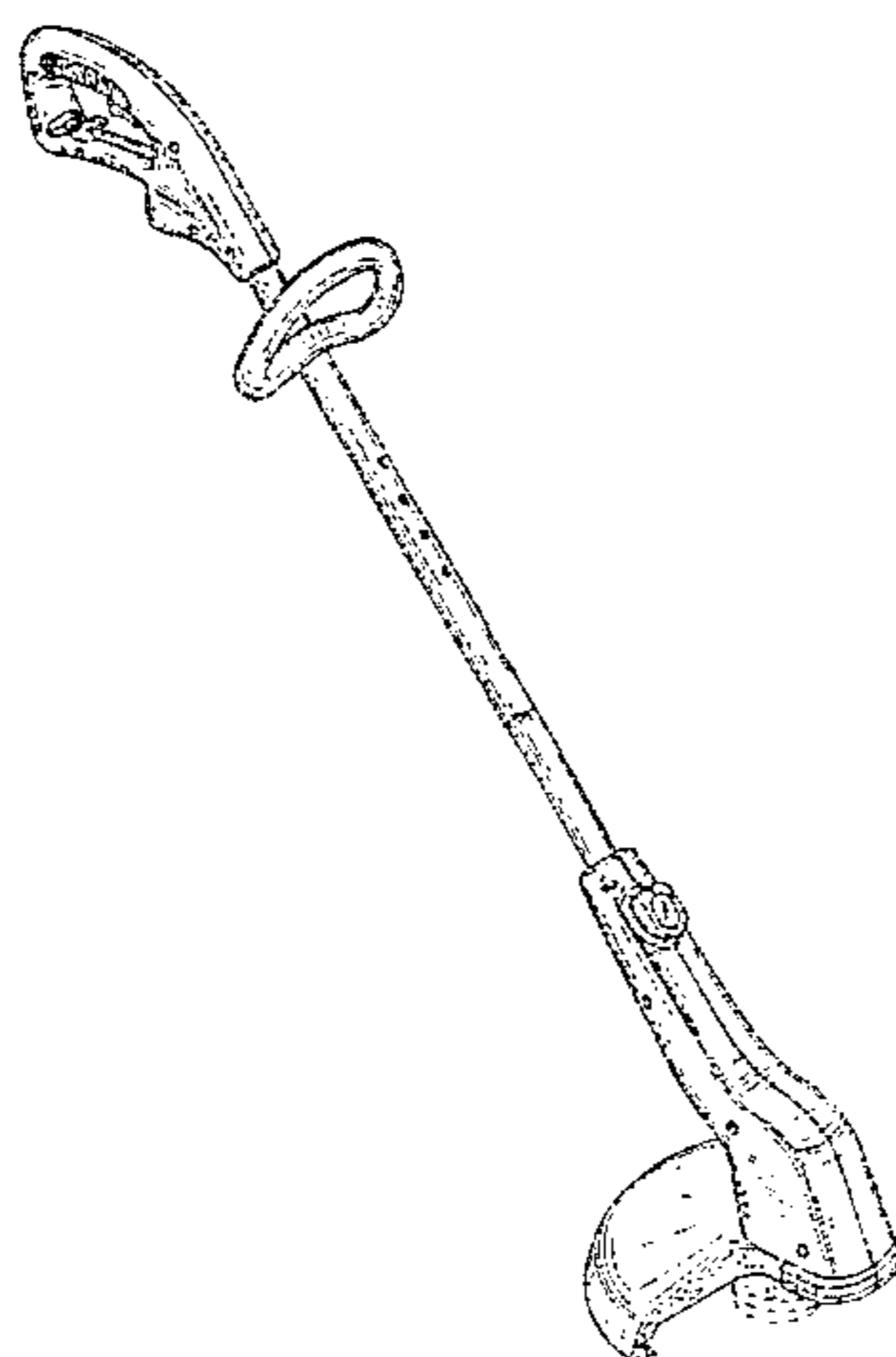
FIG. 18 is a rear view of the vegetation-cutting tool of FIG.
15;

FIG. 19 is a front view of the vegetation-cutting tool of FIG.
15;

FIG. 20 is a right view of the vegetation-cutting tool of FIG.
15; and,

FIG. 21 is a left view of the vegetation-cutting tool of FIG.
15.

1 Claim, 15 Drawing Sheets



U.S. PATENT DOCUMENTS

D. 251,961	5/1979	Averitt	D8/8
D. 255,764	7/1980	Lombard	D8/8
D. 292,980	12/1987	Tomita et al. .	
D. 301,009	5/1989	Pilatowicz et al.	D8/8
D. 307,860	5/1990	Ellis	D8/8
D. 317,852	7/1991	Fujiwara et al. .	
D. 320,398	10/1991	Clivio	D8/8
D. 335,674	5/1993	Hoshino	D15/18
D. 336,223	6/1993	Miyamoto et al.	D8/8
D. 349,220	8/1994	Griffin	D8/8
D. 349,221	8/1994	Griffin	D8/8
D. 351,768	10/1994	Griffin	D8/8
D. 354,892	1/1995	Griffin	D8/8
D. 356,014	3/1995	Griffin	D8/8
D. 360,341	7/1995	Hirooka et al.	D8/8
4,200,978	5/1980	Irelan et al.	30/276
4,285,128	8/1981	Schnell et al.	30/276
4,338,719	7/1982	Burkholder	30/276

4,501,332	2/1985	Straayer .	
4,578,863	4/1986	Laverick	30/276
4,679,385	7/1987	Carmine .	
4,733,471	3/1988	Rahe .	
4,823,464	4/1989	Gorski	30/276
4,825,548	5/1989	Driggers .	
4,987,732	1/1991	Terai et al. .	
5,027,591	7/1991	Nakamura et al. .	
5,181,369	1/1993	Everts	56/12.7
5,265,341	11/1993	Kikuchi	30/276

OTHER PUBLICATIONS

Black and Decker Lawn and Garden brochure, Mar. 8, 1994, p. 9, yard trimmer model No. 82314 at bottom of page.
 German publication M 91 03 881 Jan. 1992.
 International Designs Bulletin —Dec. 1992 DM/024 776.
 German publication M 92 05 166.9 Mar. 10, 1993.
 German publication M 94 07 032.6 Jan. 25, 1995.

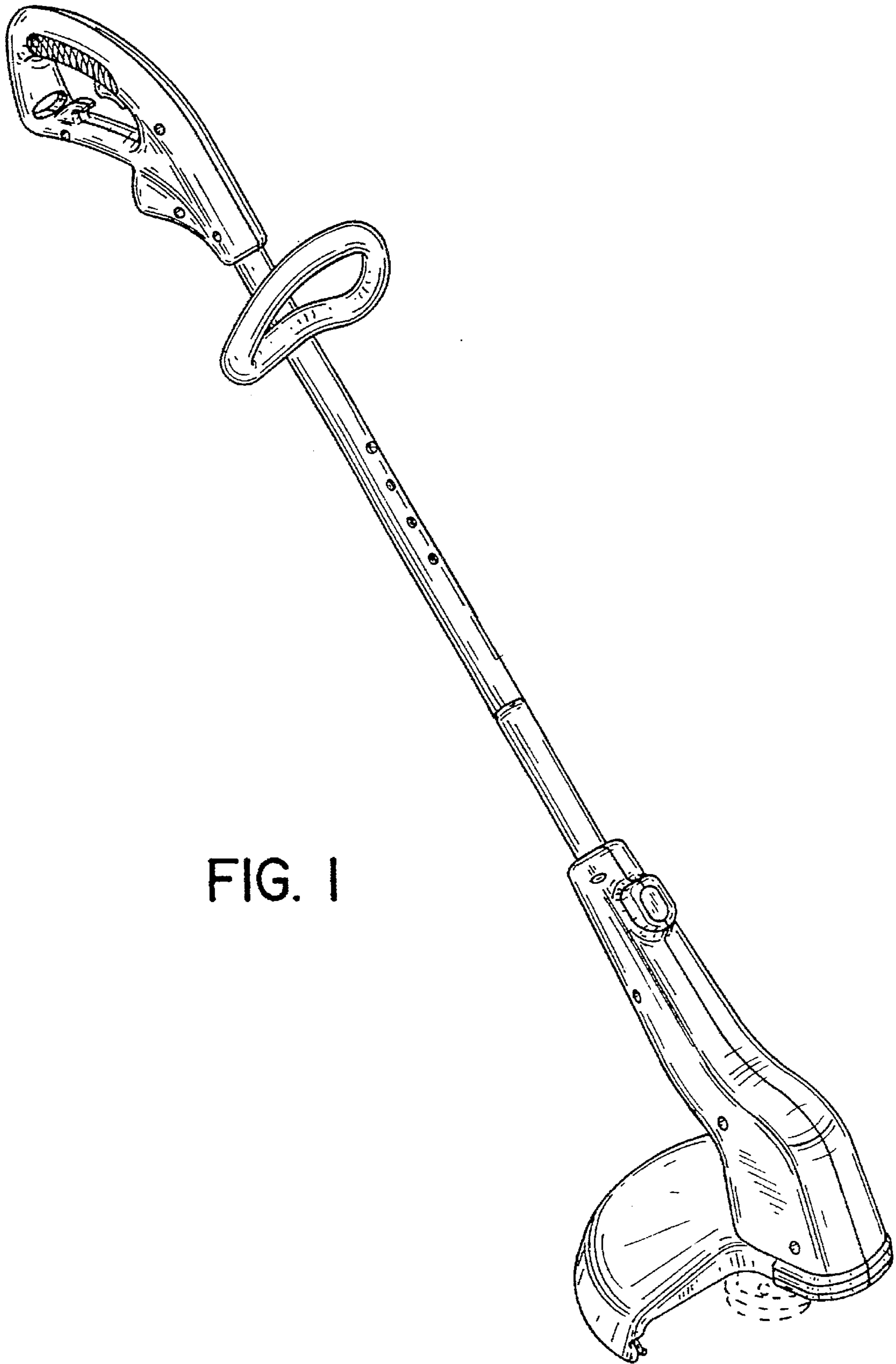


FIG. 1

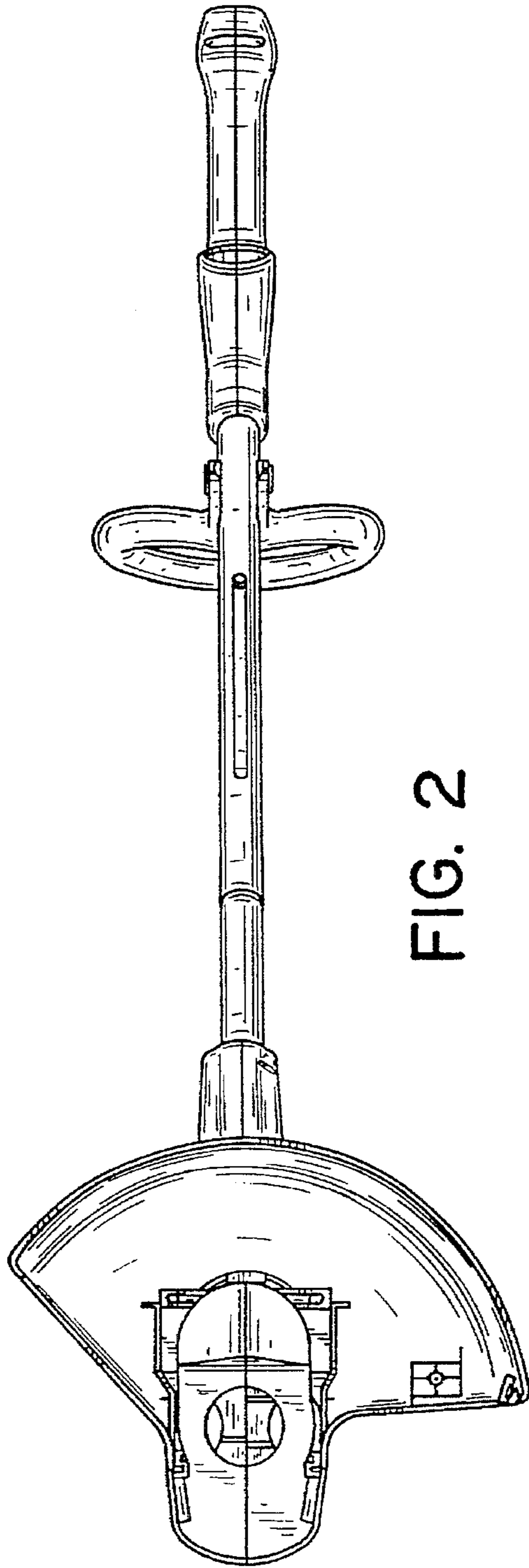


FIG. 2

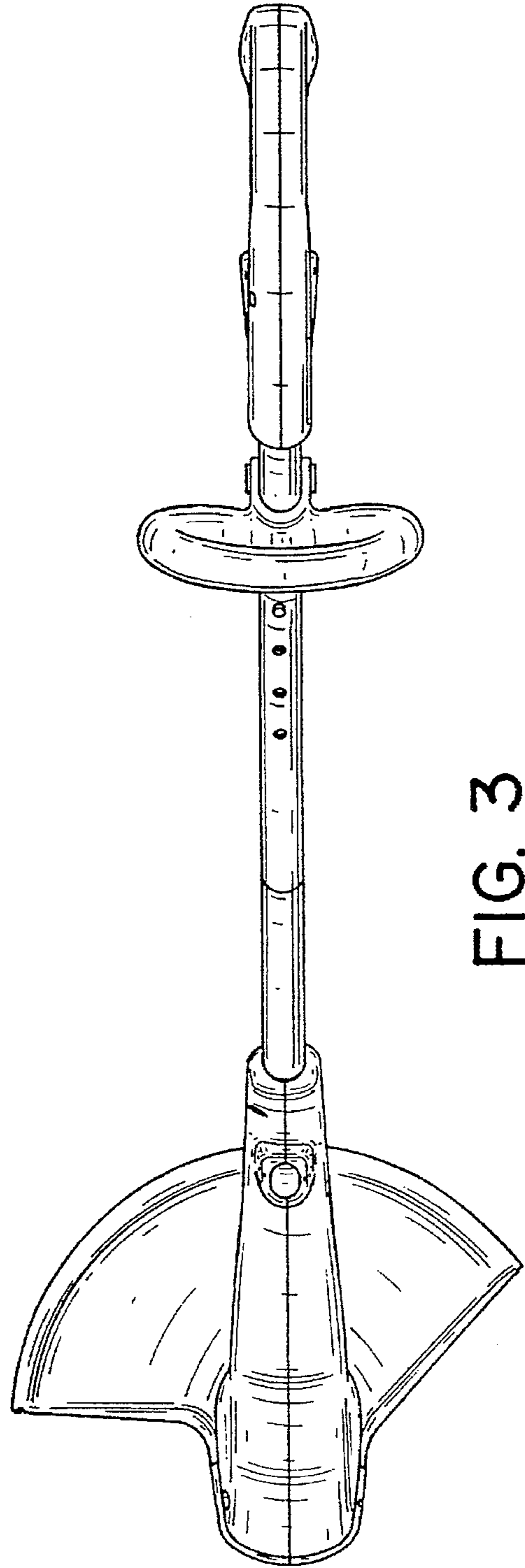


FIG. 3

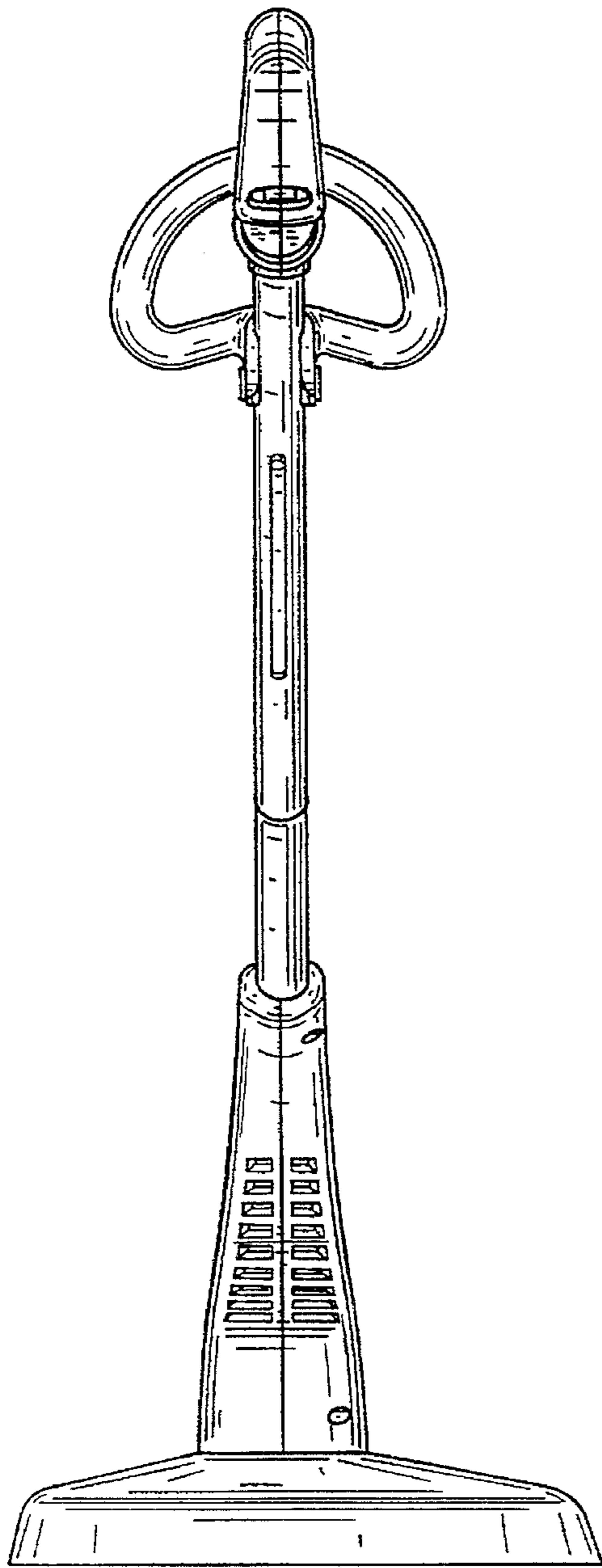


FIG. 4

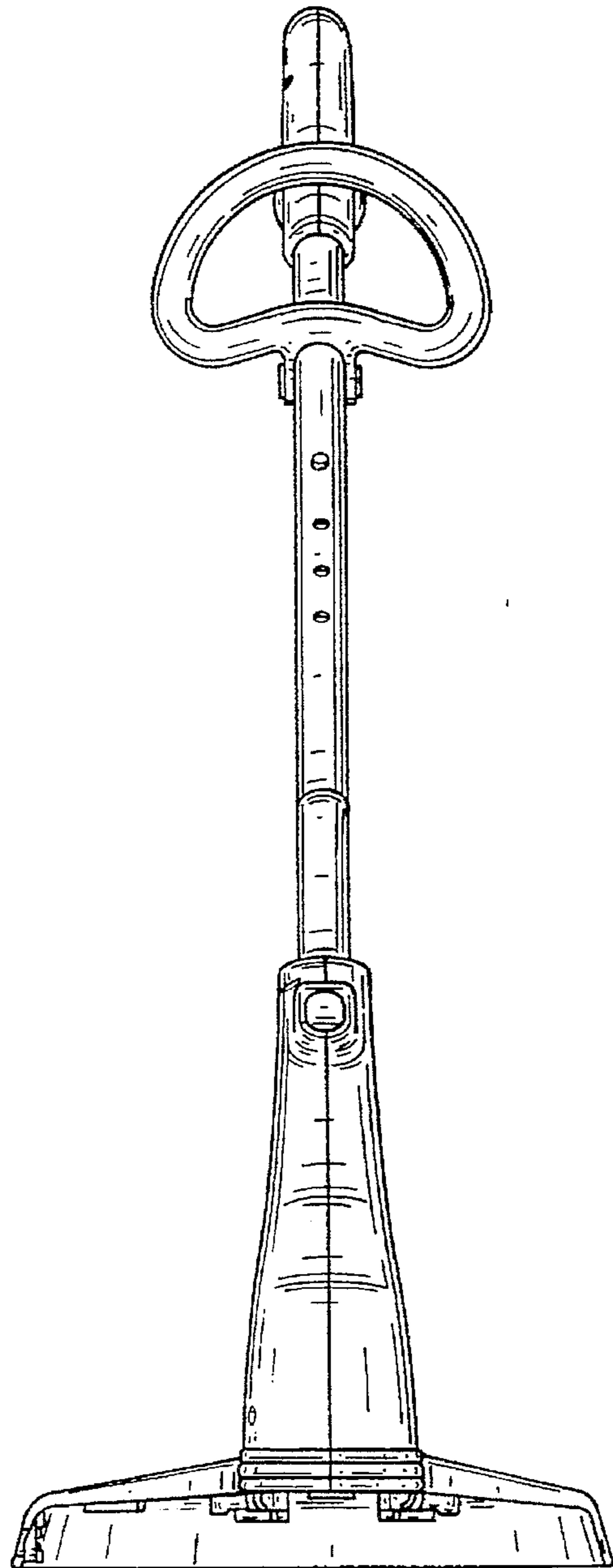


FIG. 5

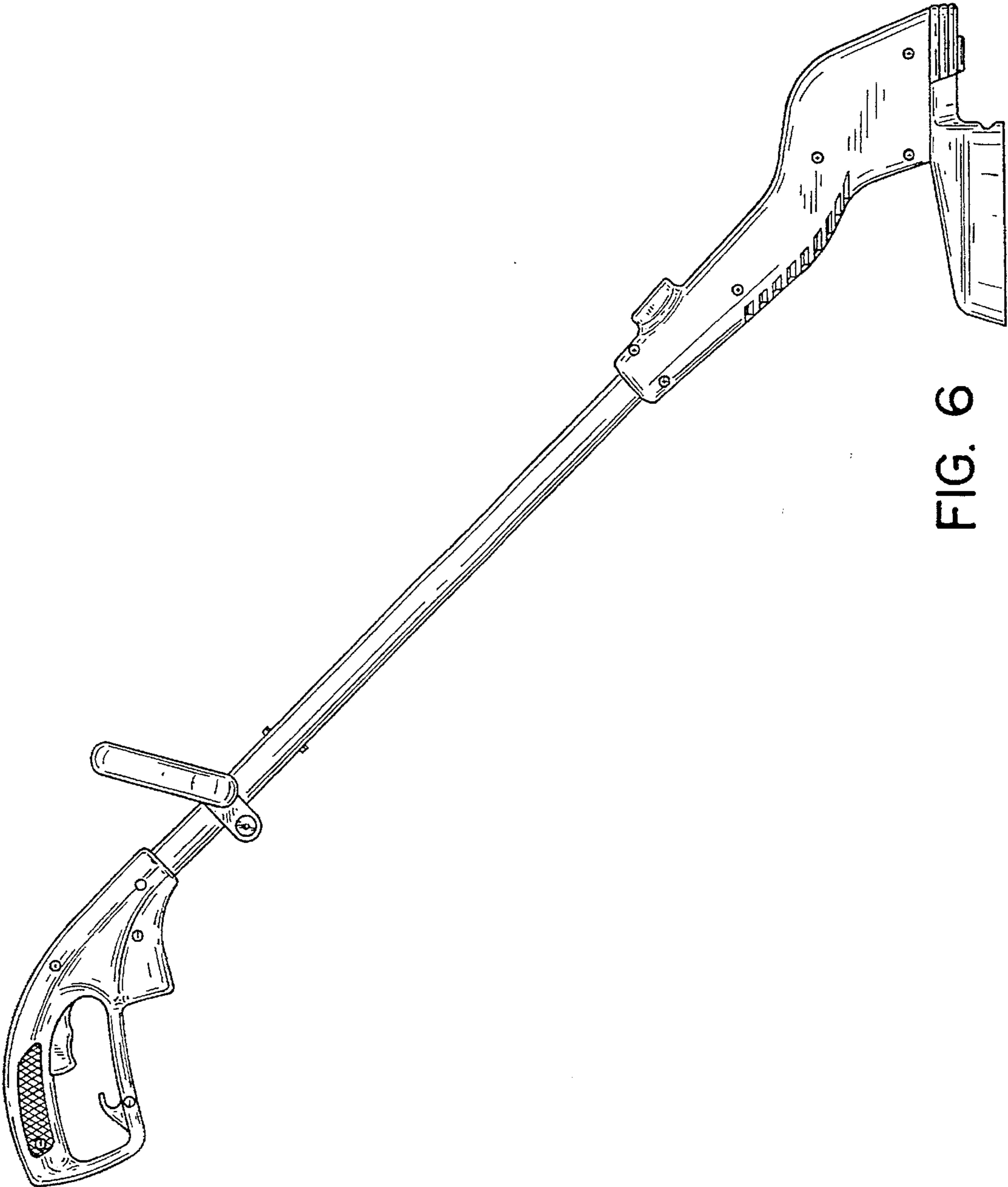


FIG. 6

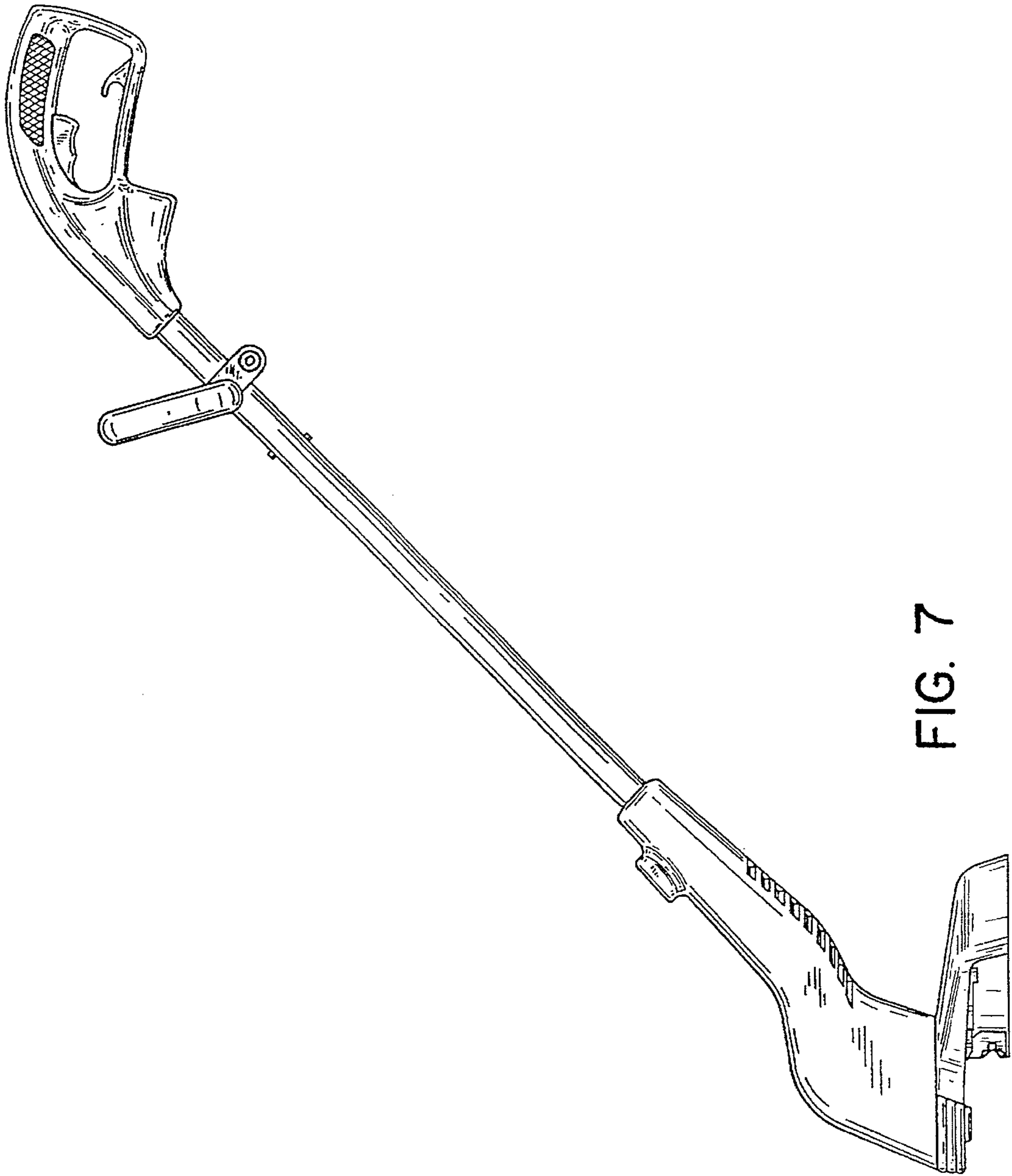


FIG. 7

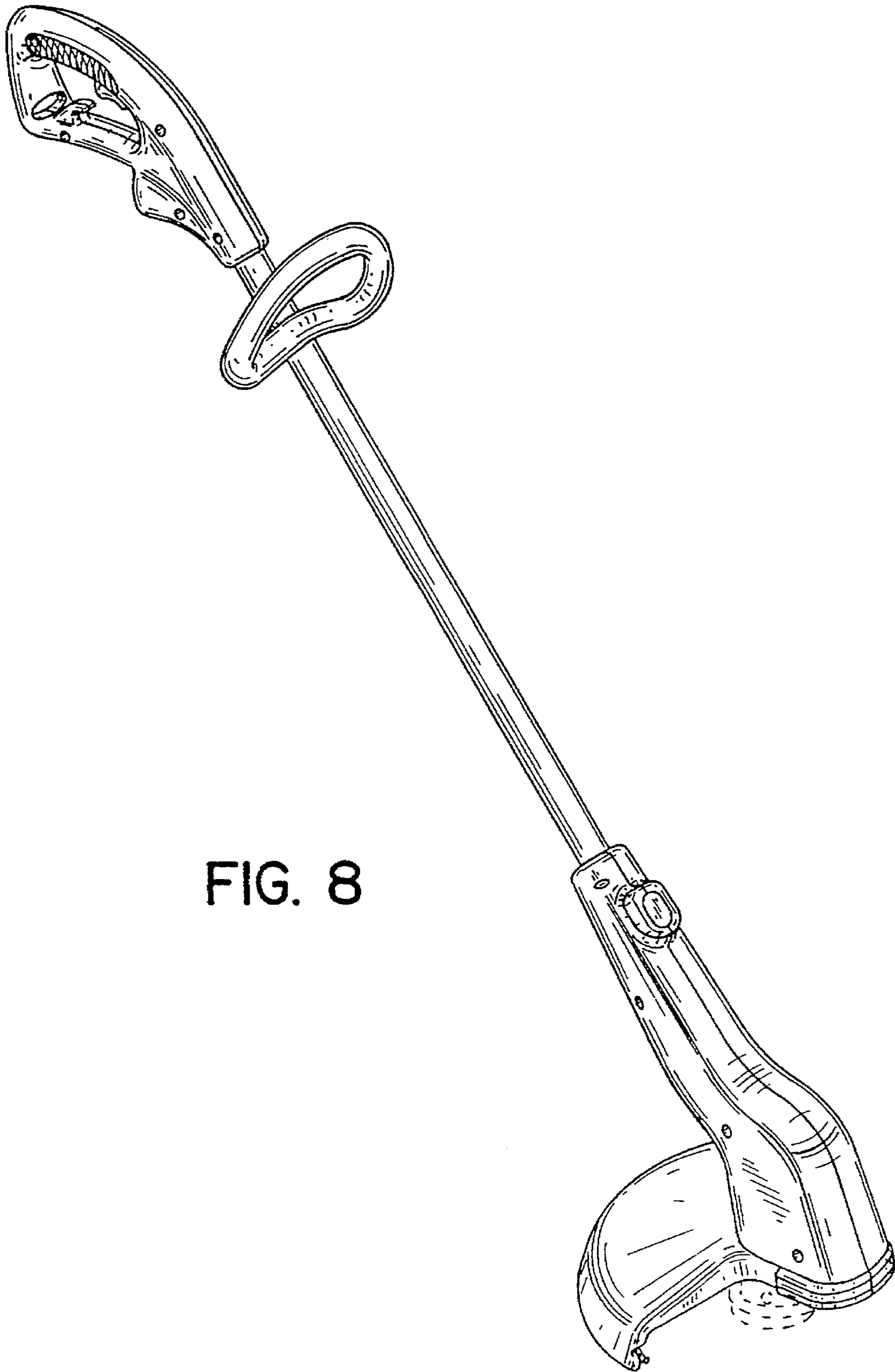


FIG. 8

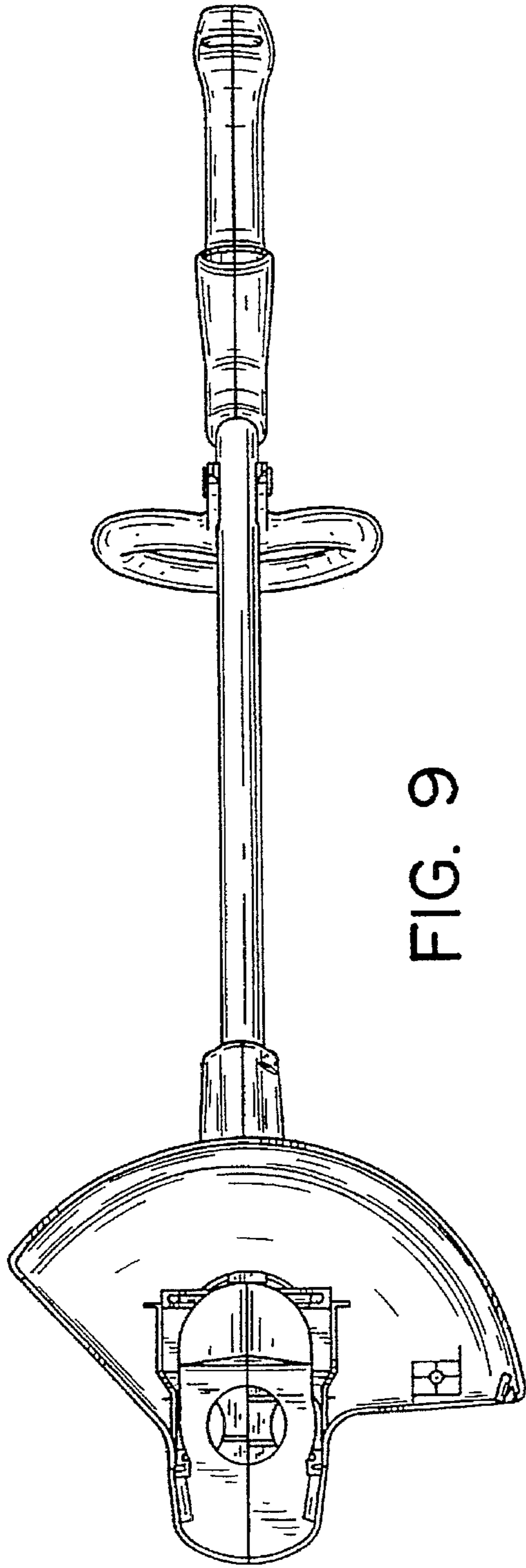


FIG. 9

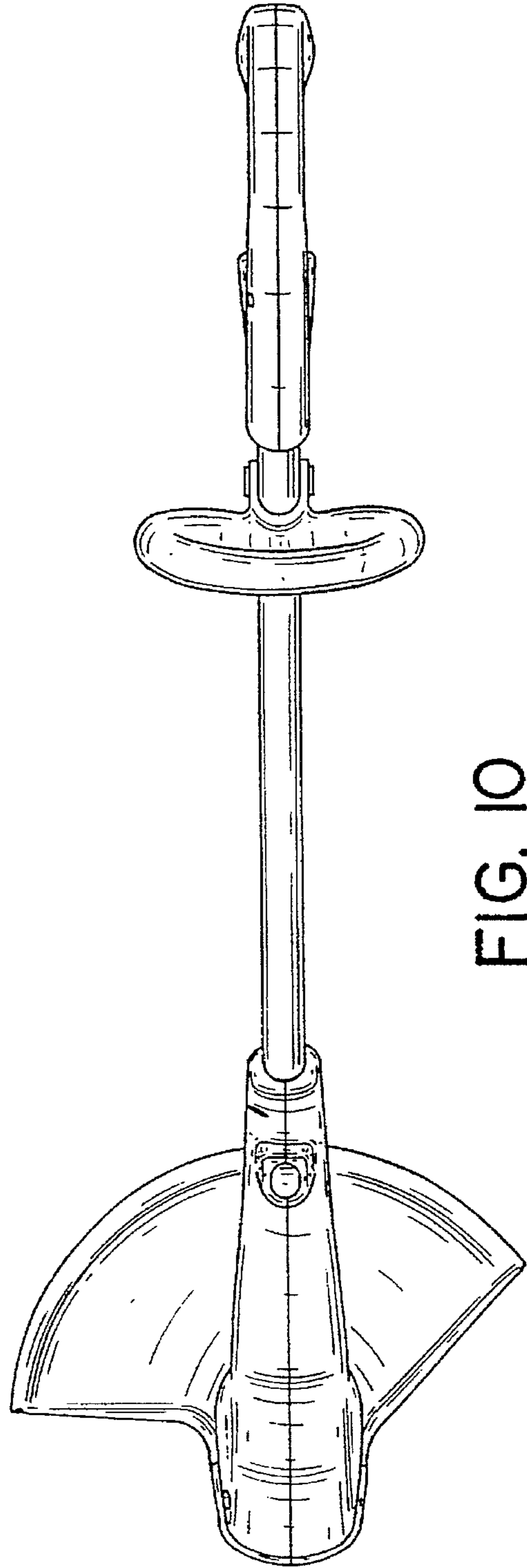


FIG. 10

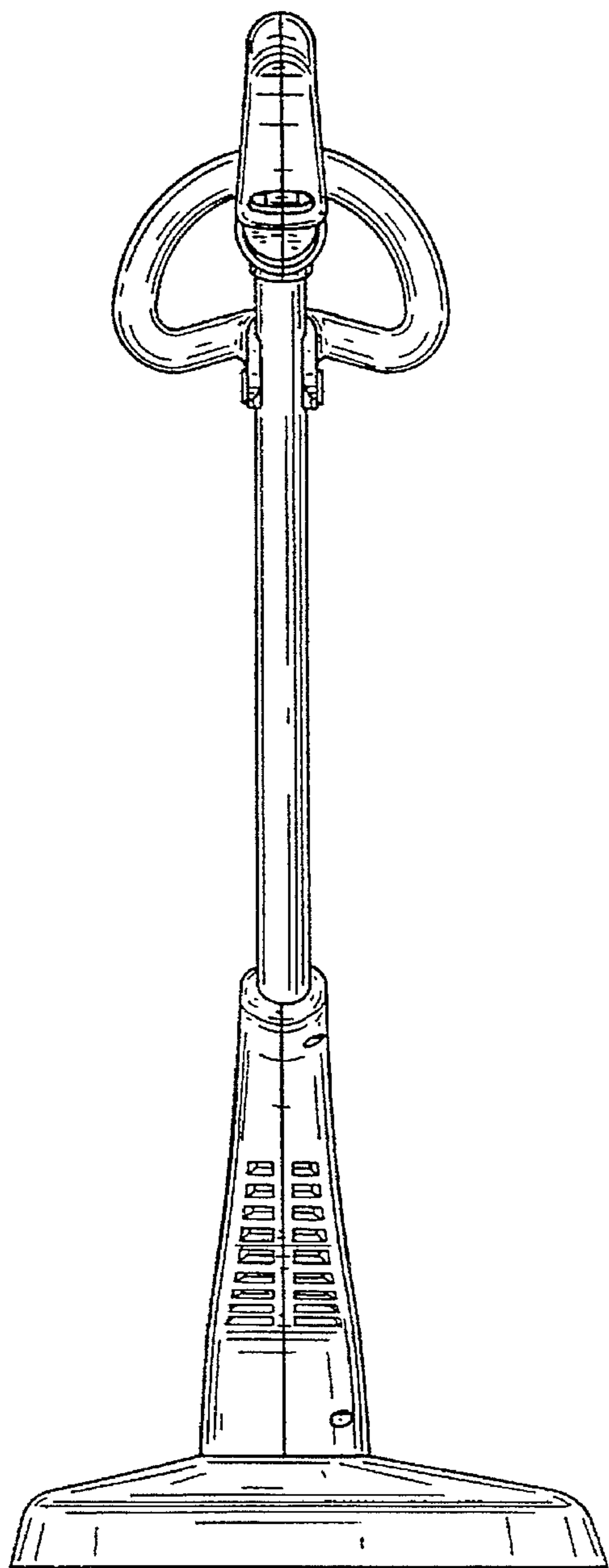


FIG. 11

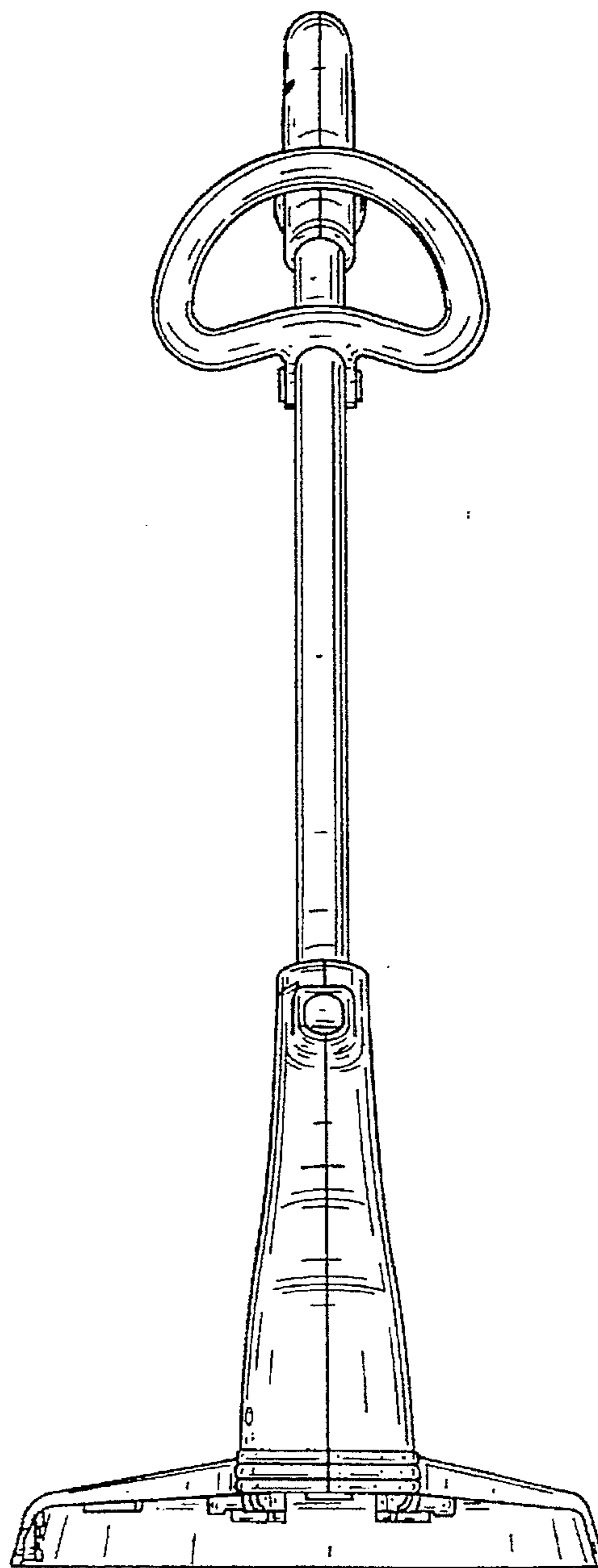


FIG. 12

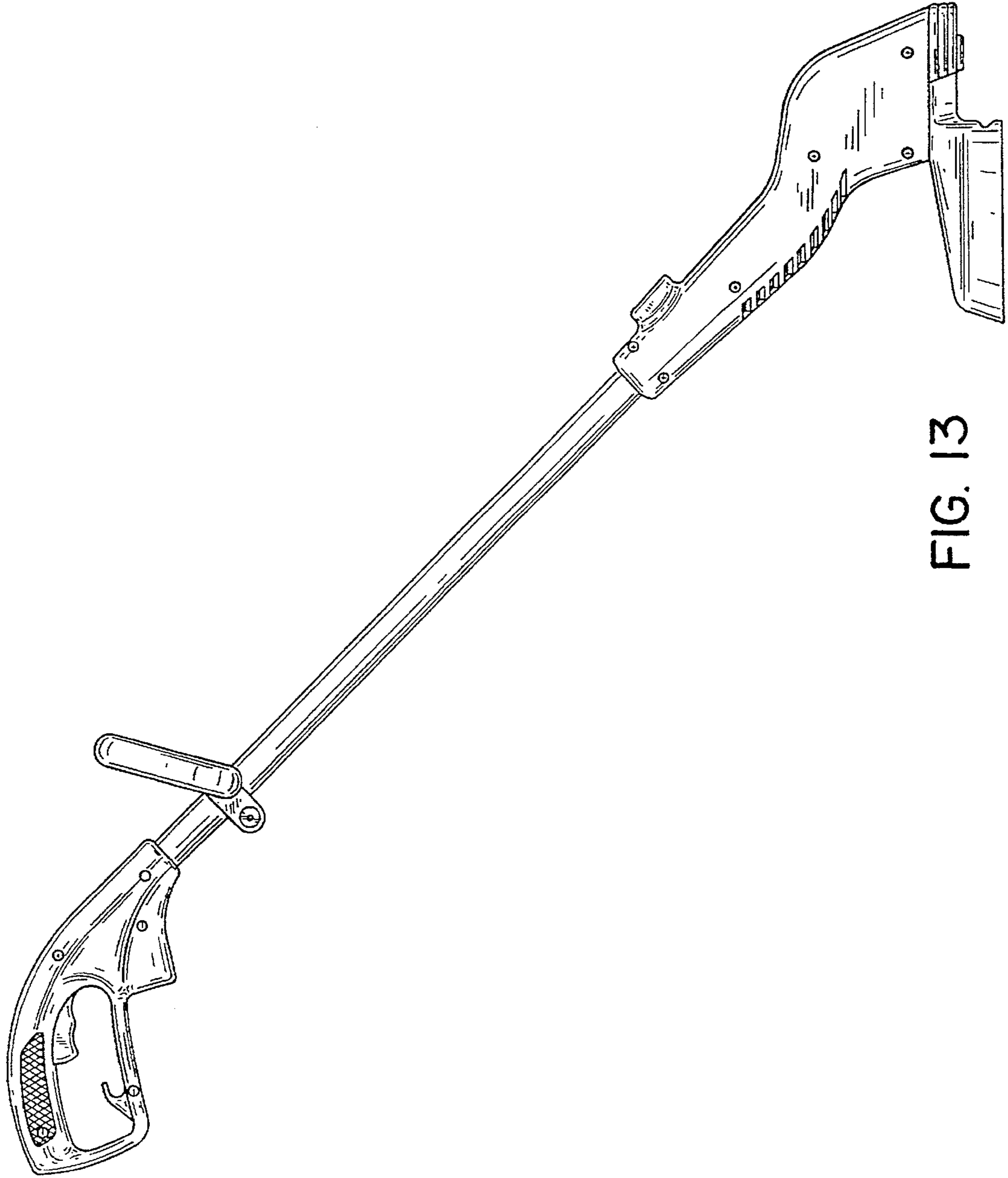


FIG. 13

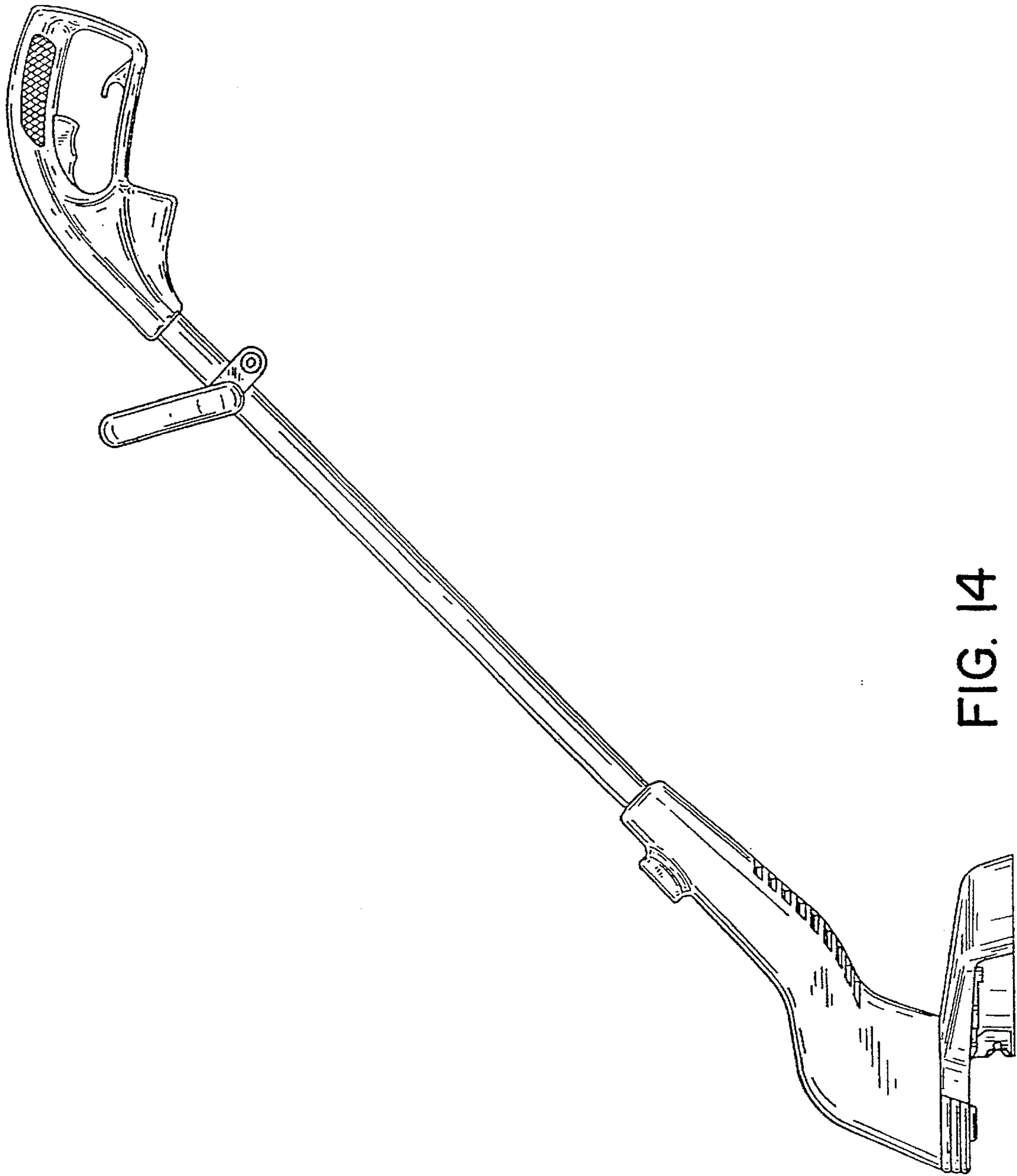


FIG. 14

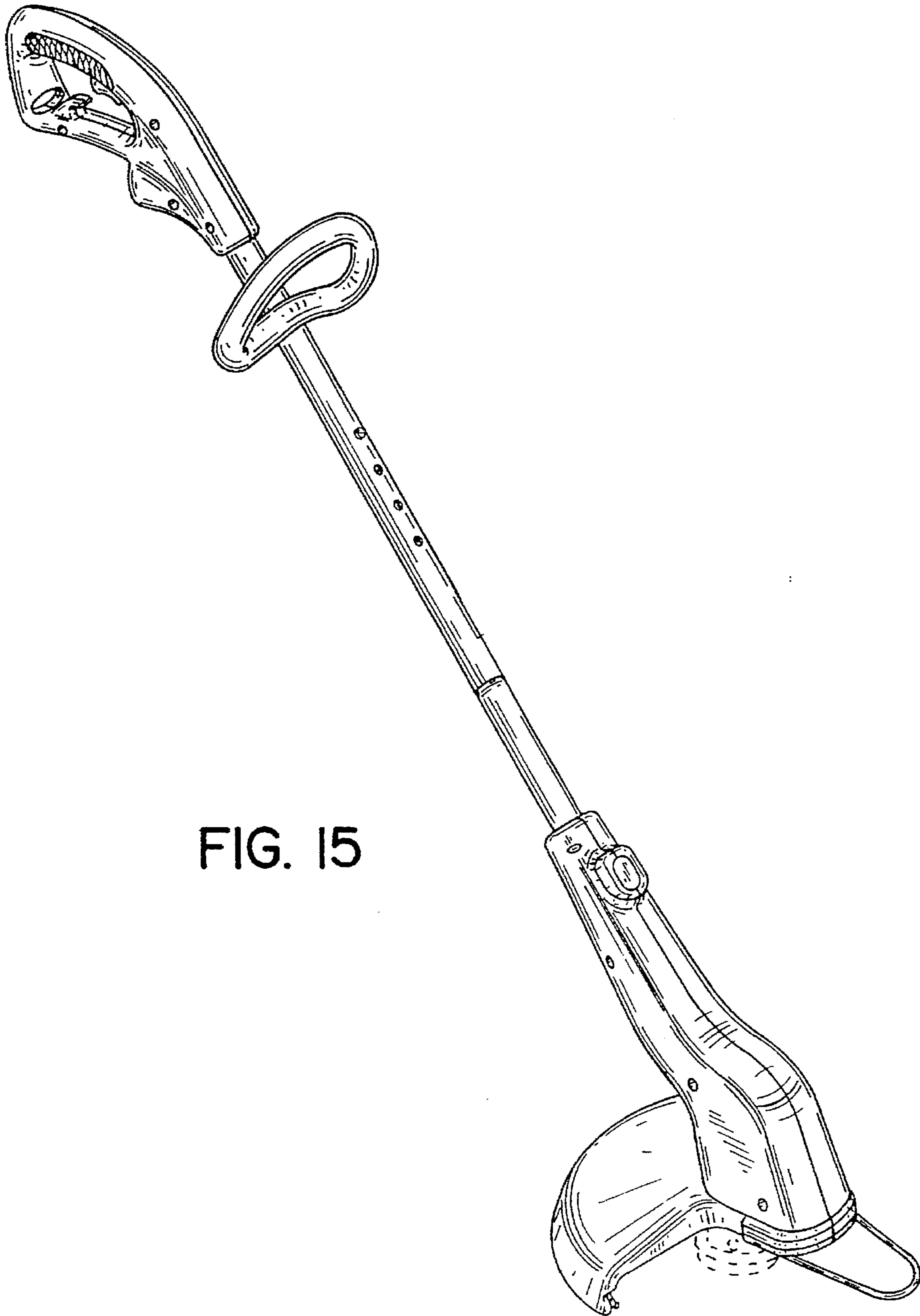


FIG. 15

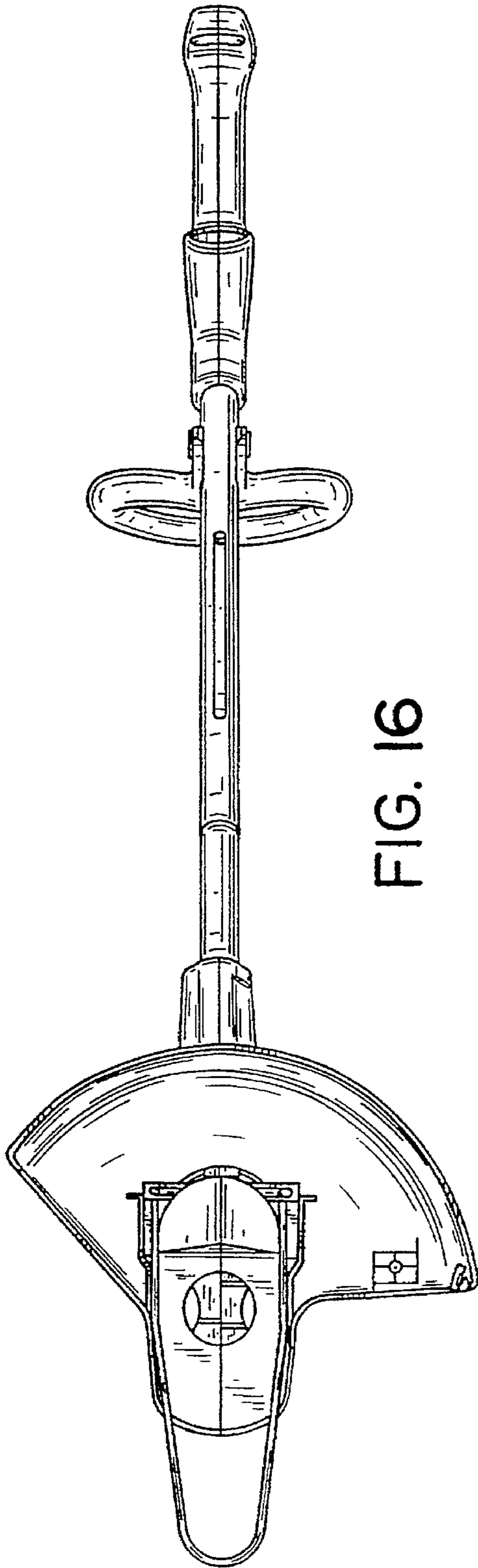


FIG. 16

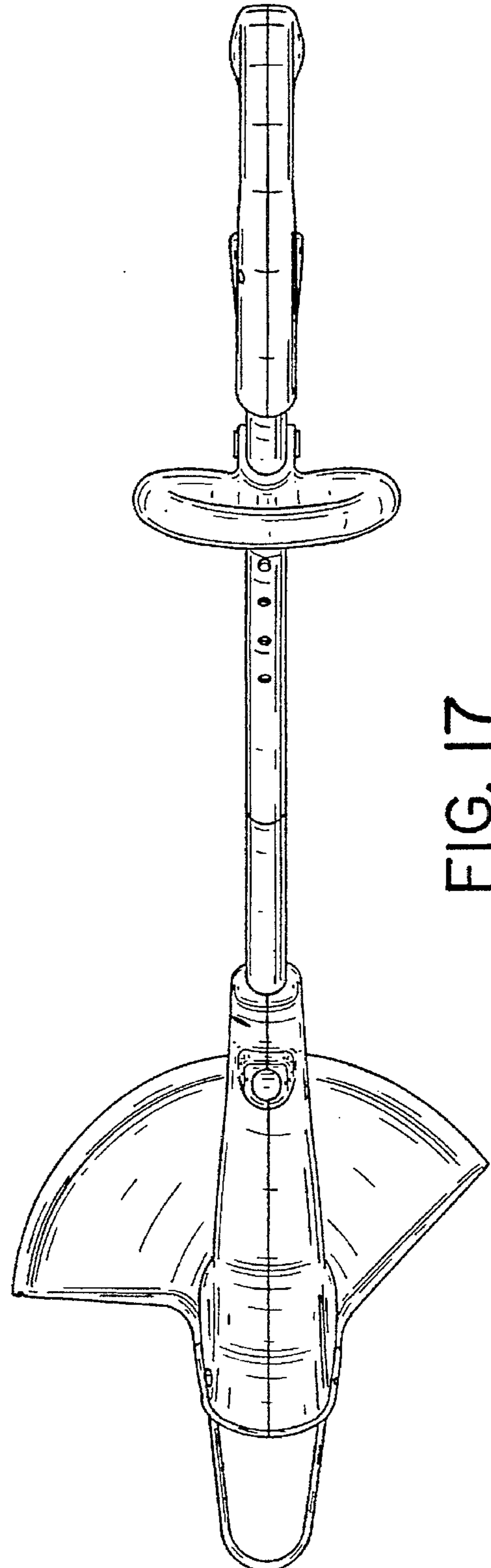


FIG. 17

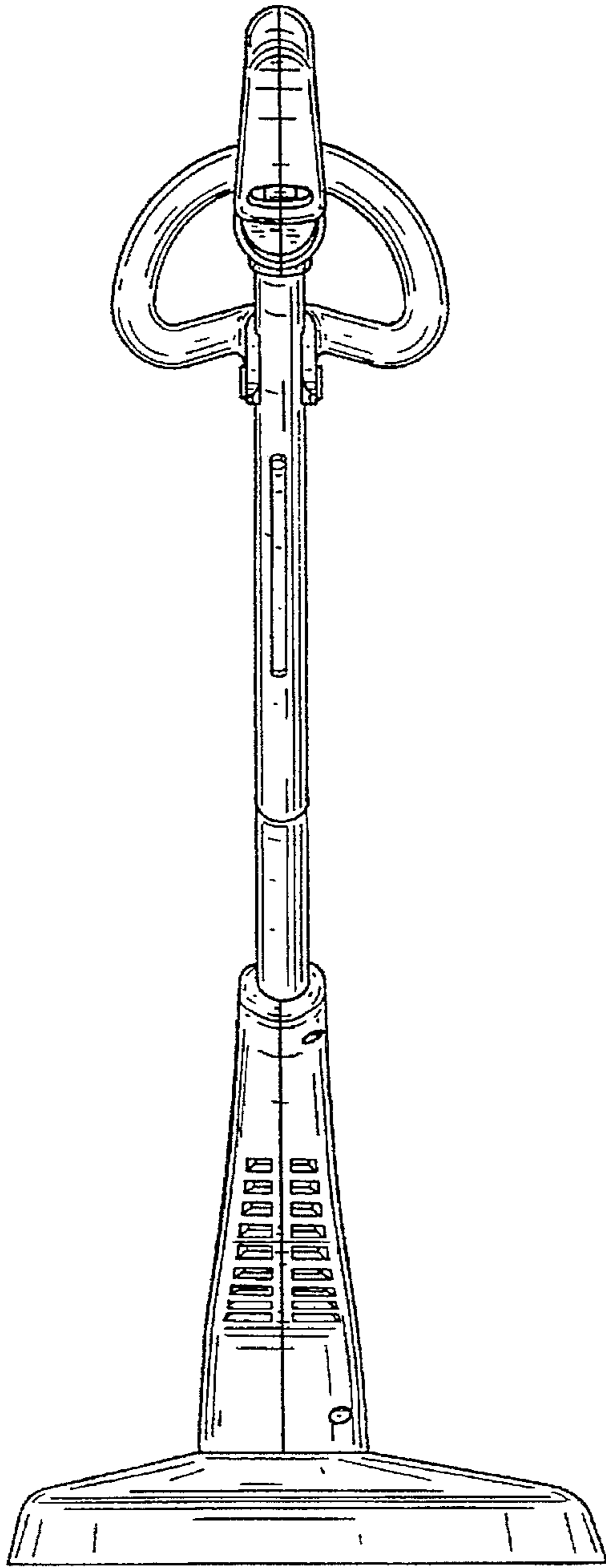


FIG. 18

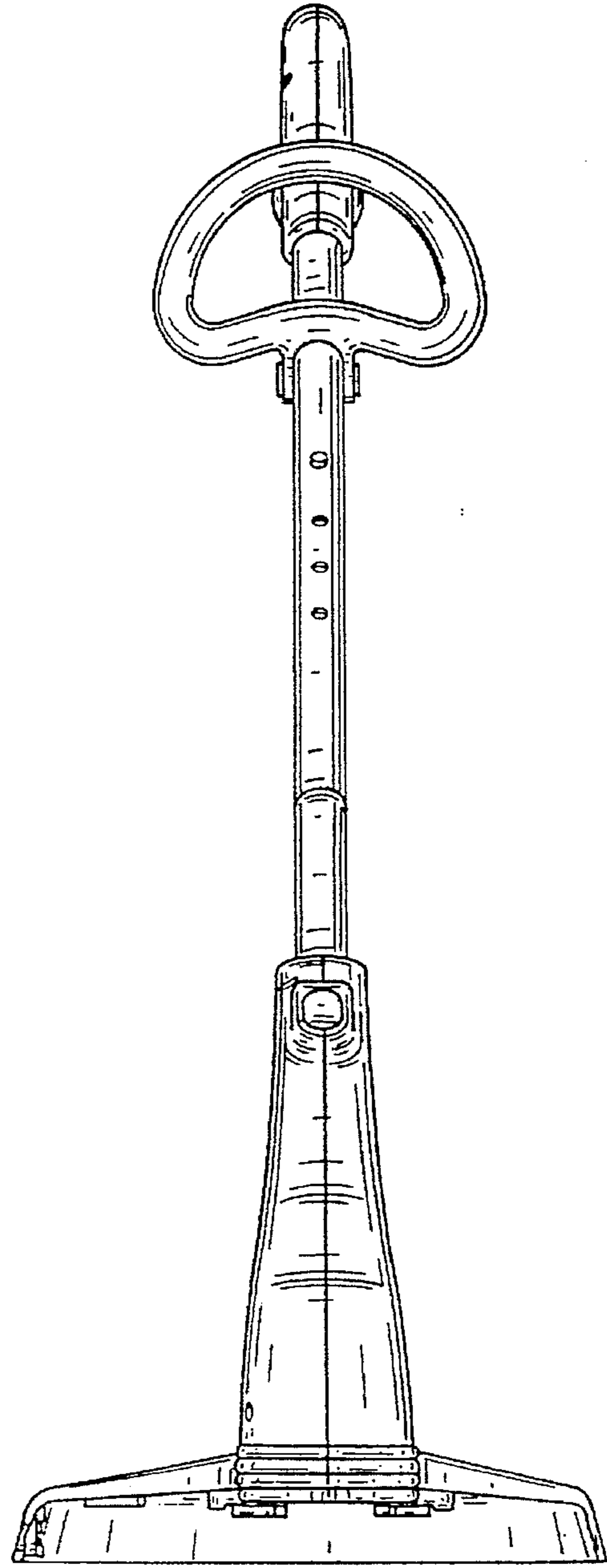


FIG. 19

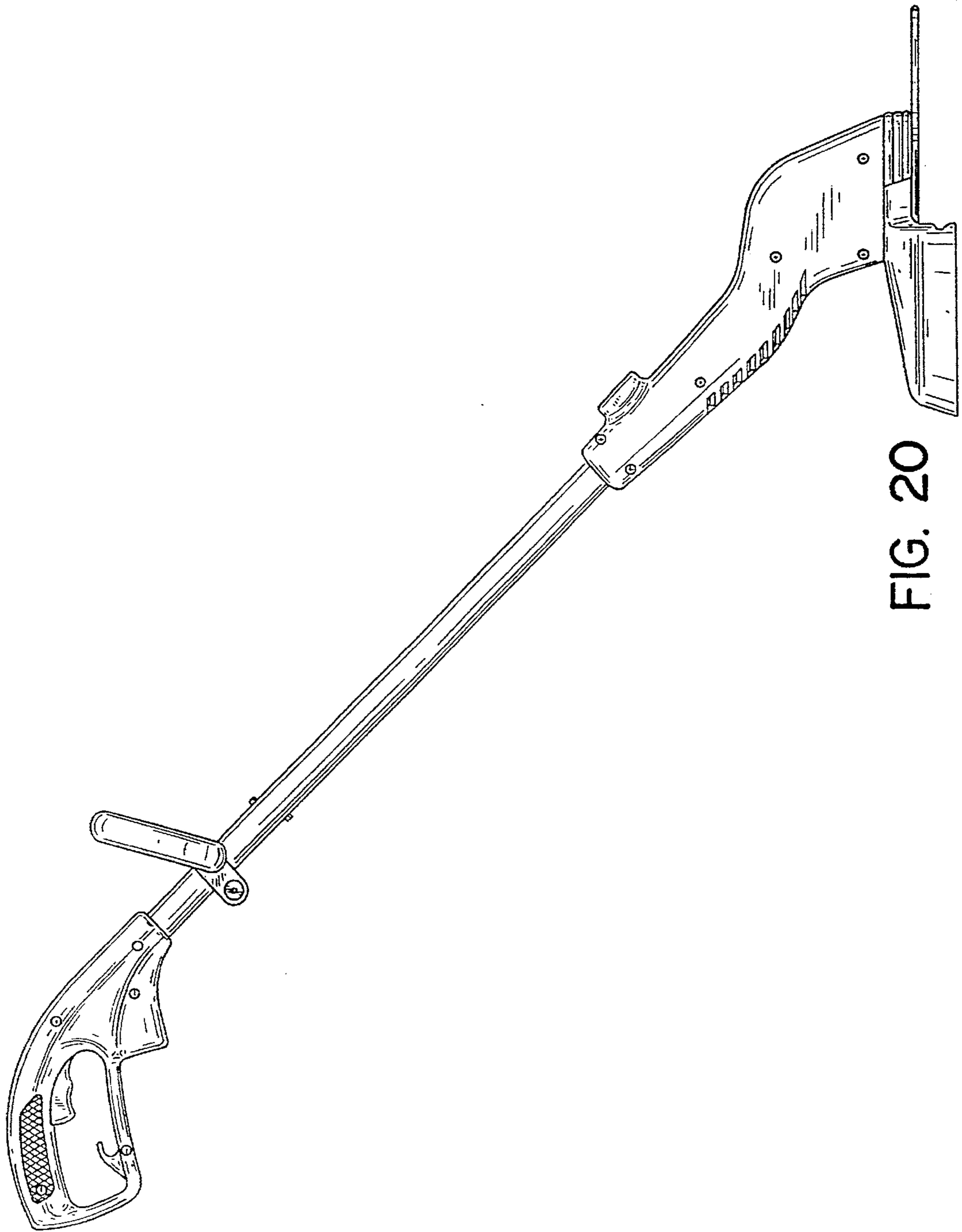


FIG. 20

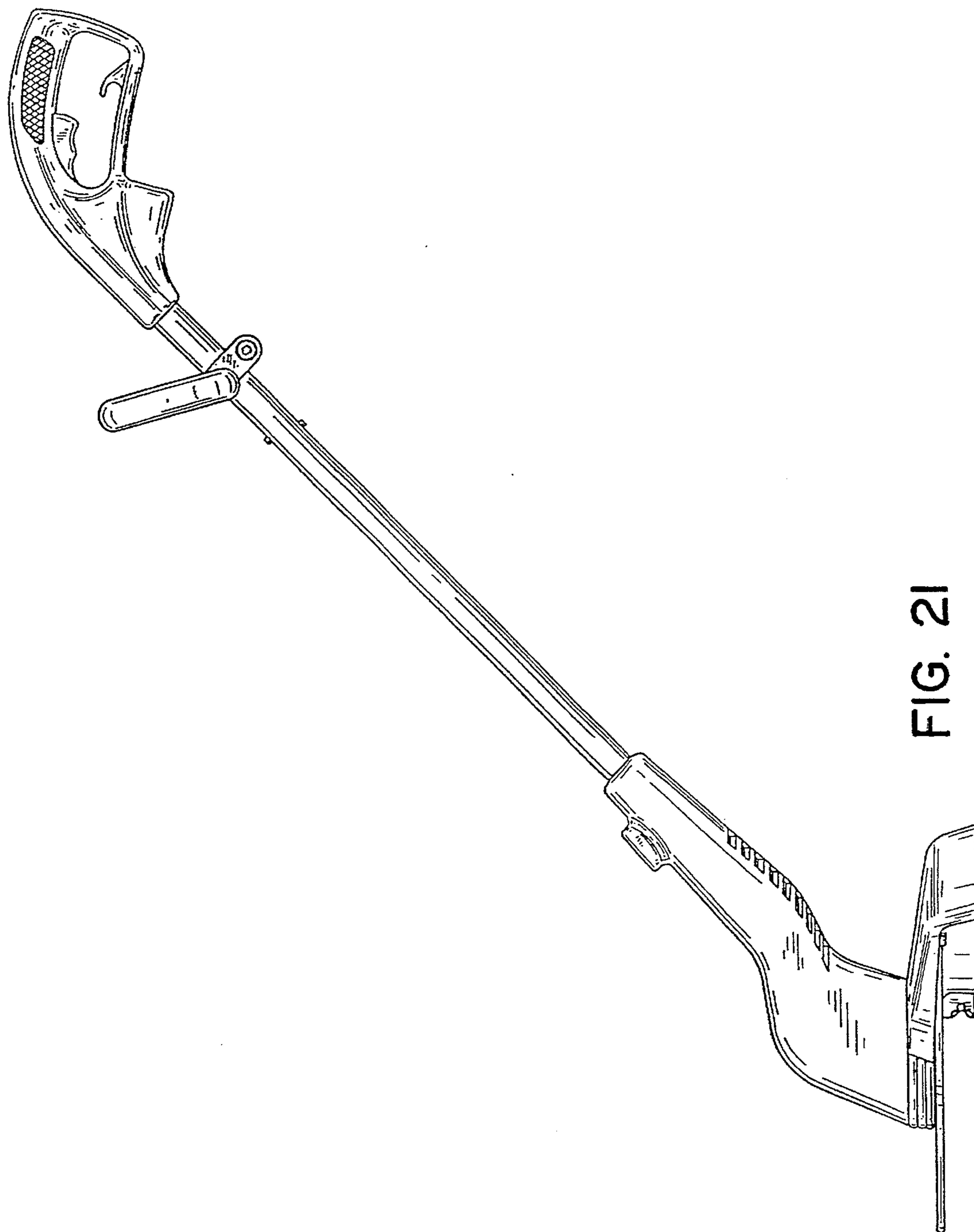


FIG. 21