



US00D380125S

# United States Patent [19]

[11] Patent Number: Des. 380,125

Ayotte et al.

[45] Date of Patent: \*\*Jun. 24, 1997

[54] **CUPHOLDER WITH OFFSET SUPPORT FOR ATTACHMENT TO FURNITURE**

[75] Inventors: **John Ayotte, Eagan; Peter W. A. Bergin**, Hopkins, both of Minn.

[73] Assignee: **MTS Northwest Sound, Inc.**, Minneapolis, Minn.

[\*\*] Term: **14 Years**

[21] Appl. No.: **48,480**

[22] Filed: **Dec. 29, 1995**

D. 328,223	7/1992	Clark	.....	D7/622
D. 342,871	1/1994	Stern et al.	.....	D7/620
D. 346,996	5/1994	Blackburn	.....	D7/620
2,471,030	5/1949	Foulke	.....	211/75
2,706,516	4/1955	Nordmark	.....	155/188
2,877,976	3/1959	Massari	.....	248/313
3,224,644	12/1965	Davis	.....	222/162
3,508,732	4/1970	Trachtenberg et al.	.....	248/226
4,865,237	9/1989	Allen	.....	224/22.45
5,040,709	8/1991	Neugent	.....	224/35
5,213,298	5/1993	Johnson	.....	248/313
5,232,137	8/1993	Devine	.....	224/252
5,248,770	9/1993	Louthan	.....	248/311.2
5,320,319	6/1994	Winger et al.	.....	248/312.1

### Related U.S. Application Data

[60] Division of Ser. No. 26,729, Aug. 4, 1994, Pat. No. Des. 367,997, which is a continuation-in-part of Ser. No. 55,318, Feb. 26, 1993, abandoned.

[51] LOC (6) Cl. .... **07-06**

[52] U.S. Cl. .... **D7/620**

[58] Field of Search ..... D7/619, 620, 622; 211/74, 75; 248/311.2, 313, 295.1; 215/395; 294/27.1, 31.2; 297/188.01, 188.02, 188.04, 188.21

### References Cited

#### U.S. PATENT DOCUMENTS

D. 162,959	4/1951	Janes et al.	.
D. 244,302	5/1977	Bradley	.
D. 307,852	5/1990	Clark	..... D7/620
D. 319,951	9/1991	Frankel	..... D7/620

Primary Examiner—Terry A. Wallace

Attorney, Agent, or Firm—Westman, Champlin & Kelly, P.A.

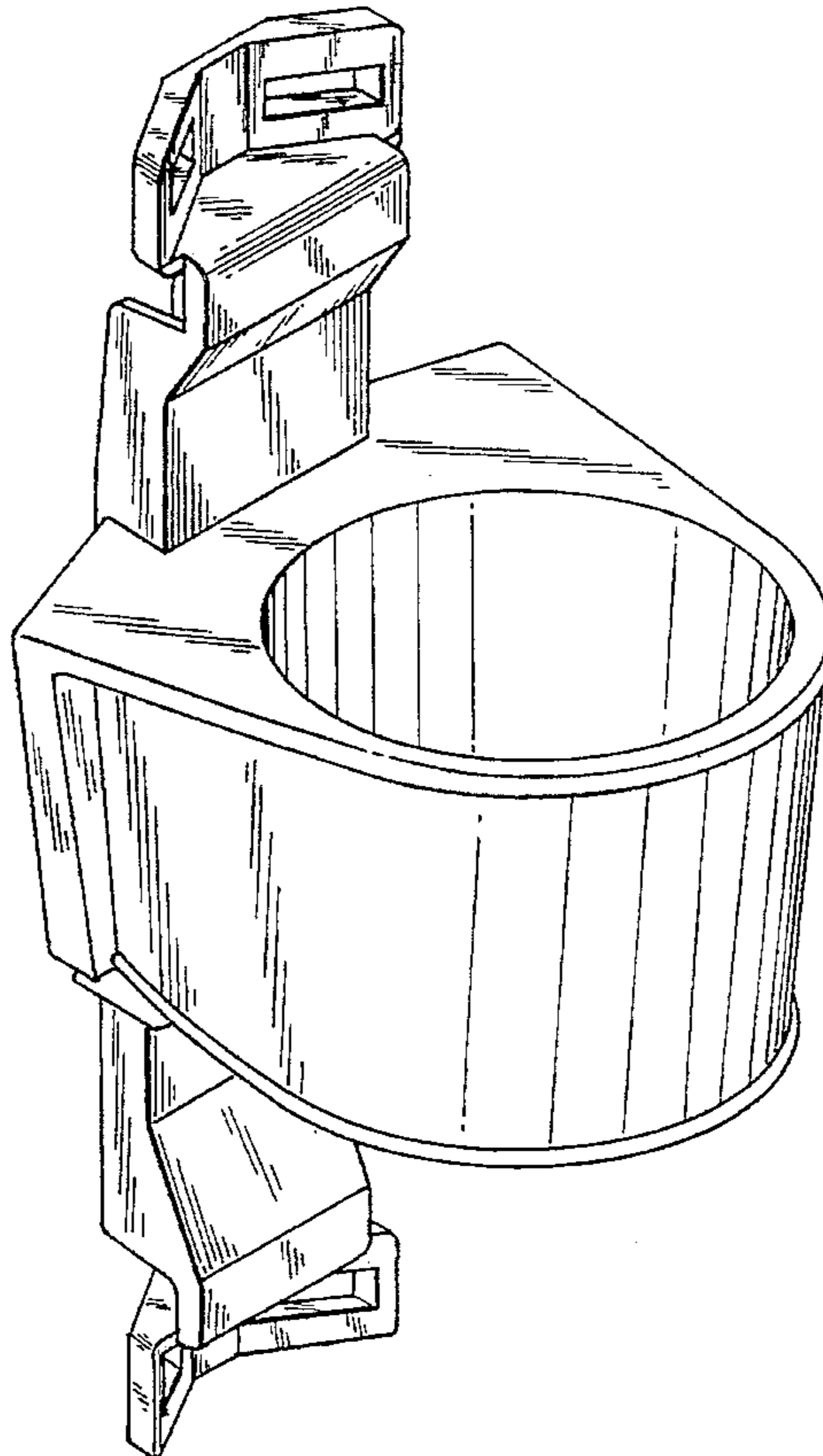
### [57] CLAIM

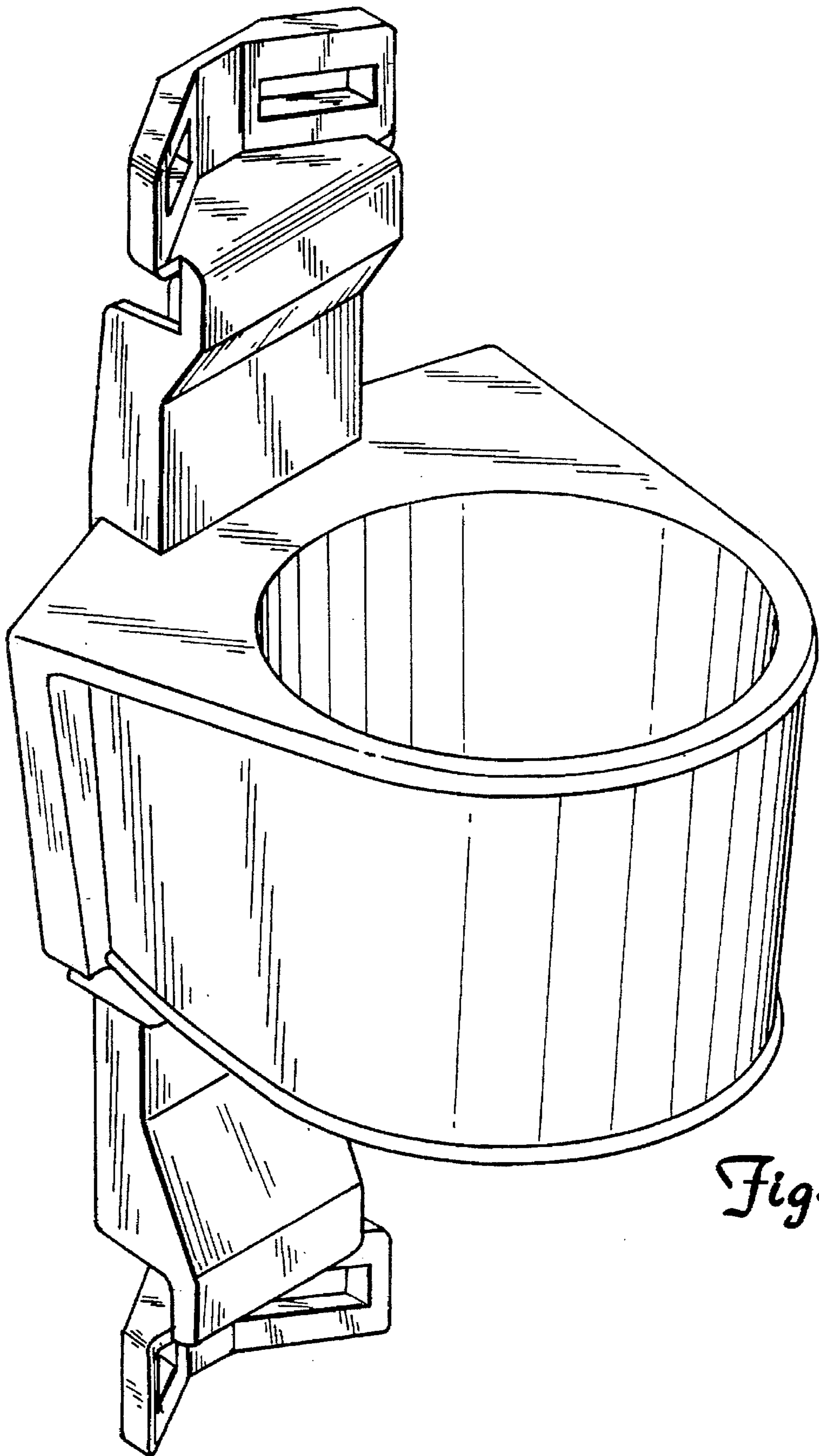
The ornamental design for a cupholder with offset support for attachment to furniture, as shown and described.

### DESCRIPTION

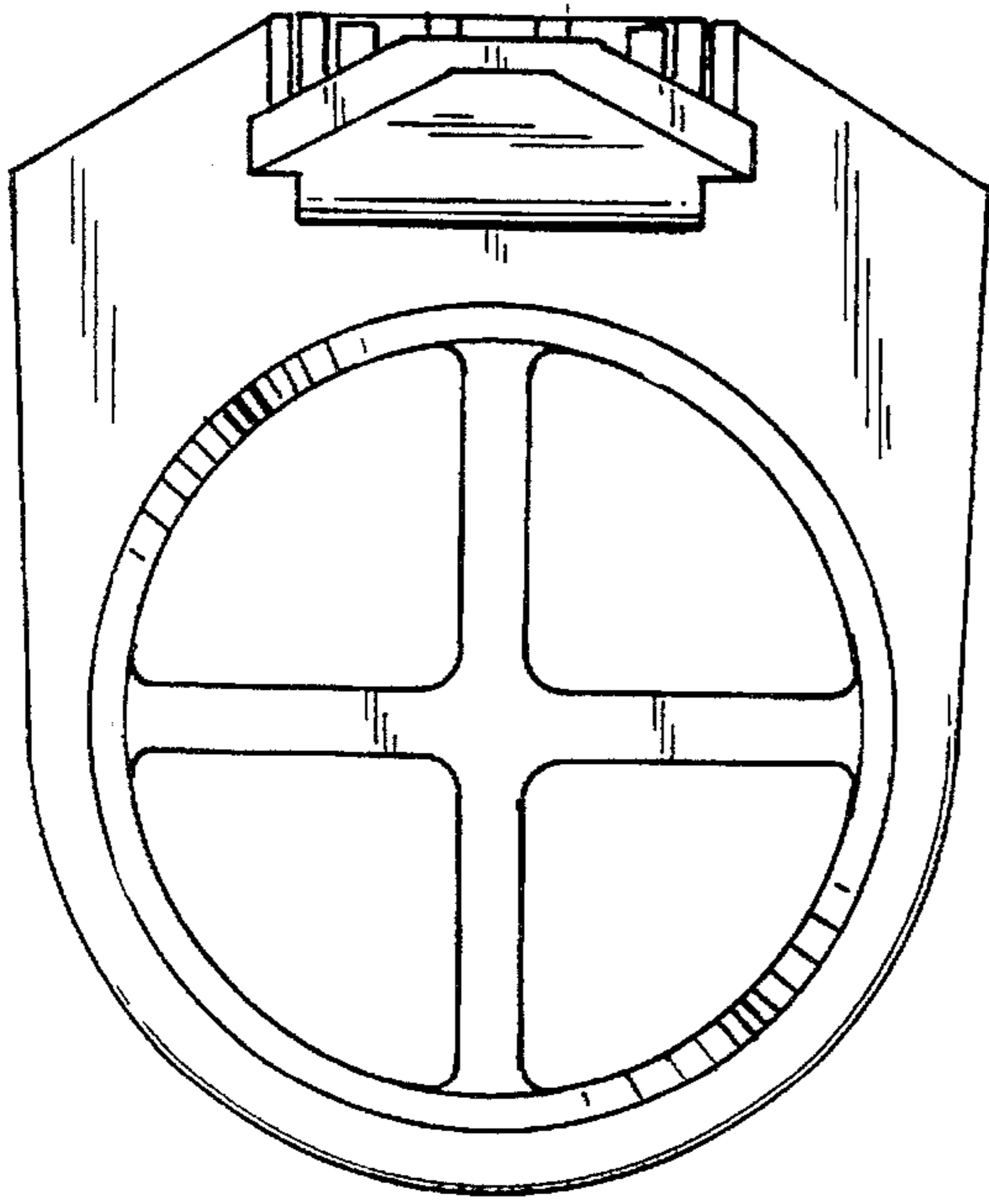
FIG. 1 is a perspective view of a cupholder with offset support for attachment to furniture showing our new design; FIG. 2 is a top plan view thereof; FIG. 3 is a front elevational view thereof; FIG. 4 is a side elevational view thereof, the side opposite being a mirror image; FIG. 5 is a rear elevational view thereof; and, FIG. 6 is a bottom plan view thereof.

1 Claim, 4 Drawing Sheets

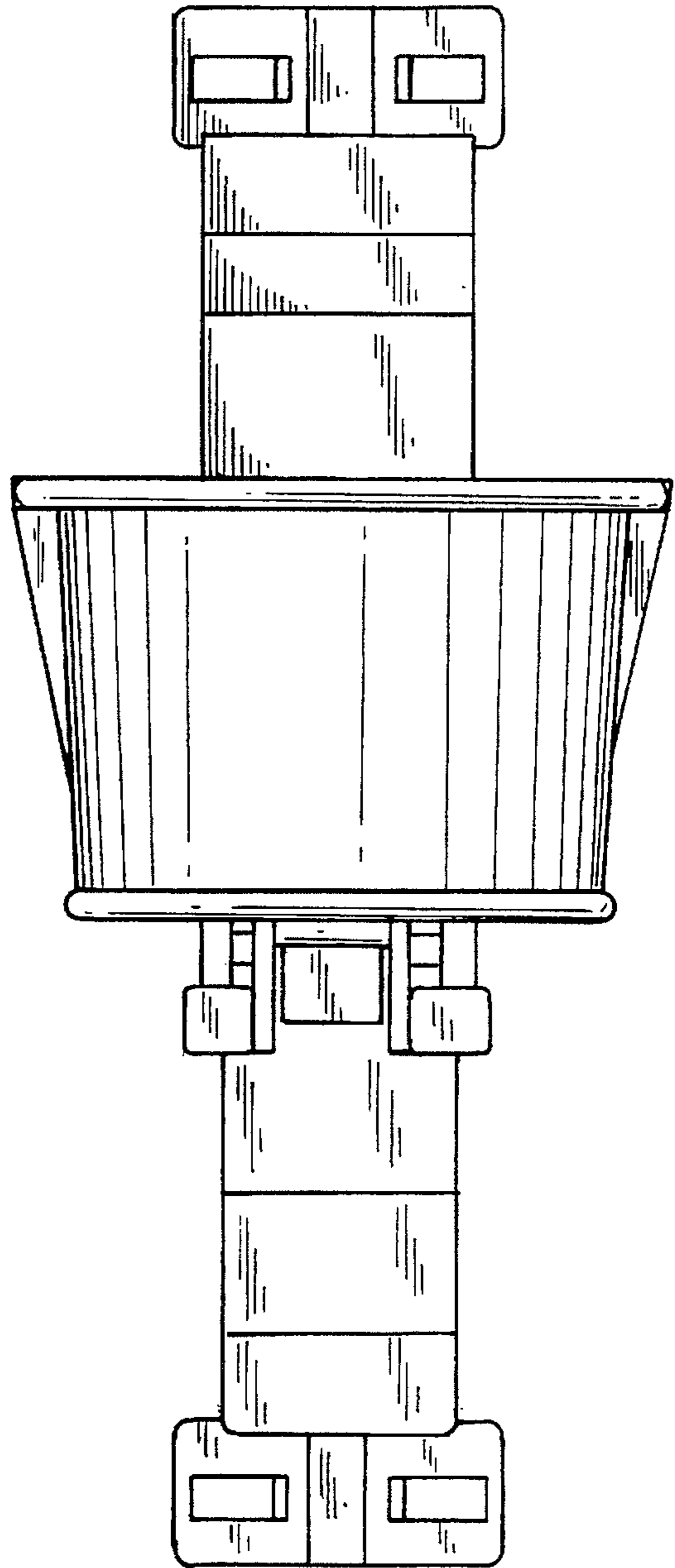




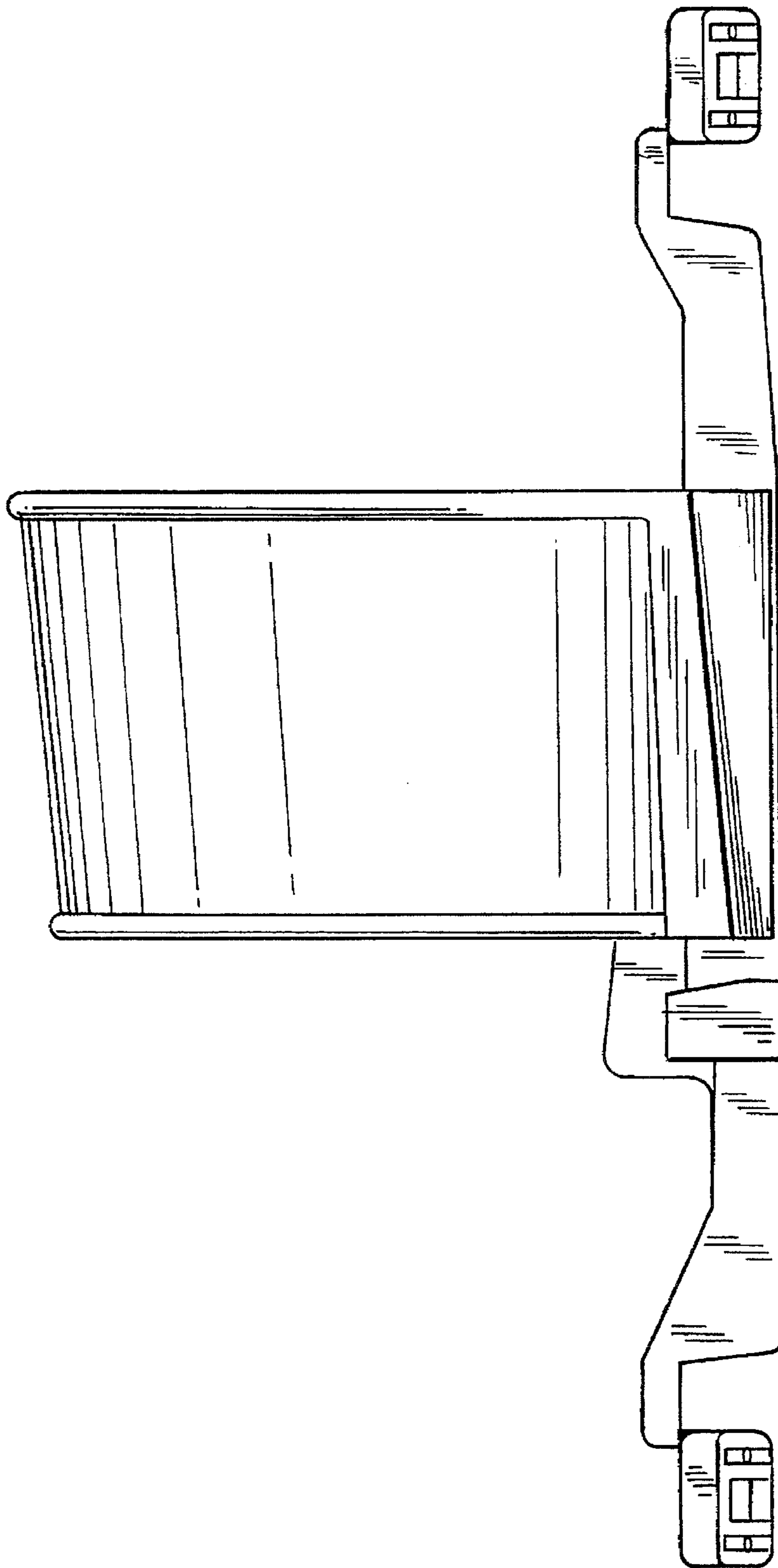
*Fig. 1*



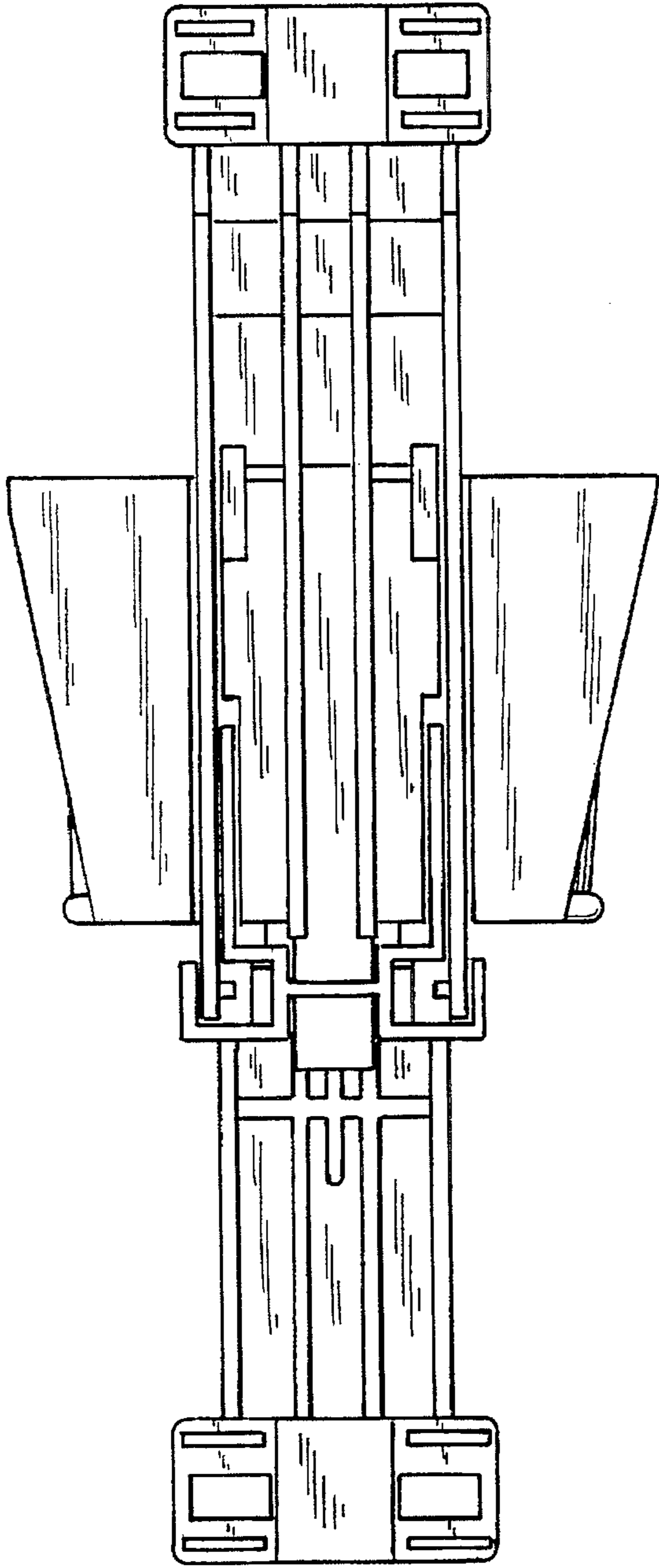
*Fig 2*



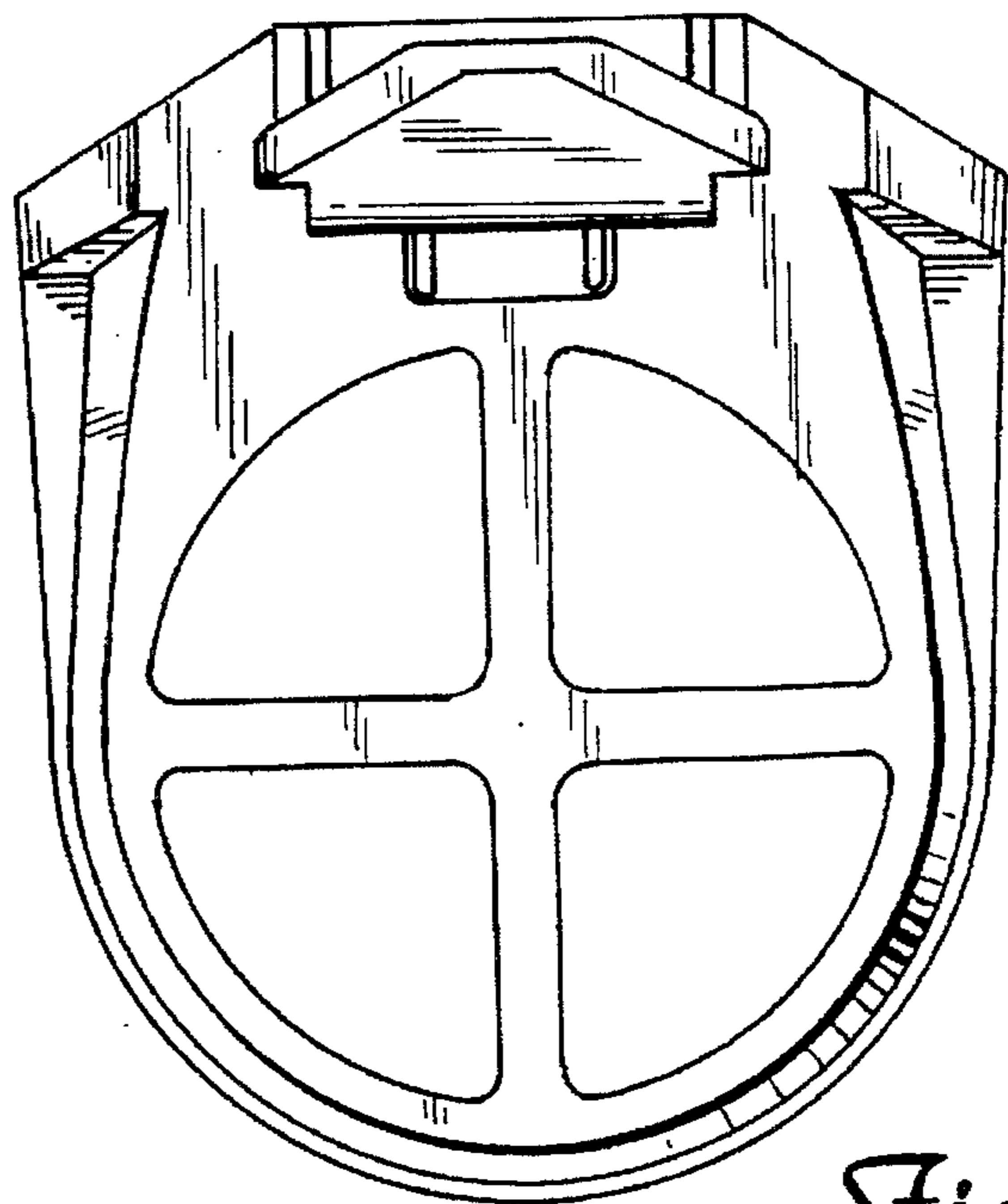
*Fig 3*



*Fig. 4*



*Fig 5*



*Fig 6*